

CAUTION



To prevent serious personal injury and/or property damage, operate all remotely controlled models in a responsible manner as outlined herein.

● **Safety Precautions**

- 1.1 This radio-controlled model is not a toy, it is designed for persons 14 years of age or older.
- 1.2 Do not operate your vehicle on unsafe terrain; always pay attention to your surroundings.
- 1.3 Never operate your vehicle on public roadways, around moving people, animals, or operating machinery.
- 1.4 Keep clear of power lines and high-powered radio equipment to minimize radio frequency interference.
- 1.5 Since this vehicle contains small components, it may be a choking hazard for small children. Keep the vehicle and any spare parts out of reach of small children.

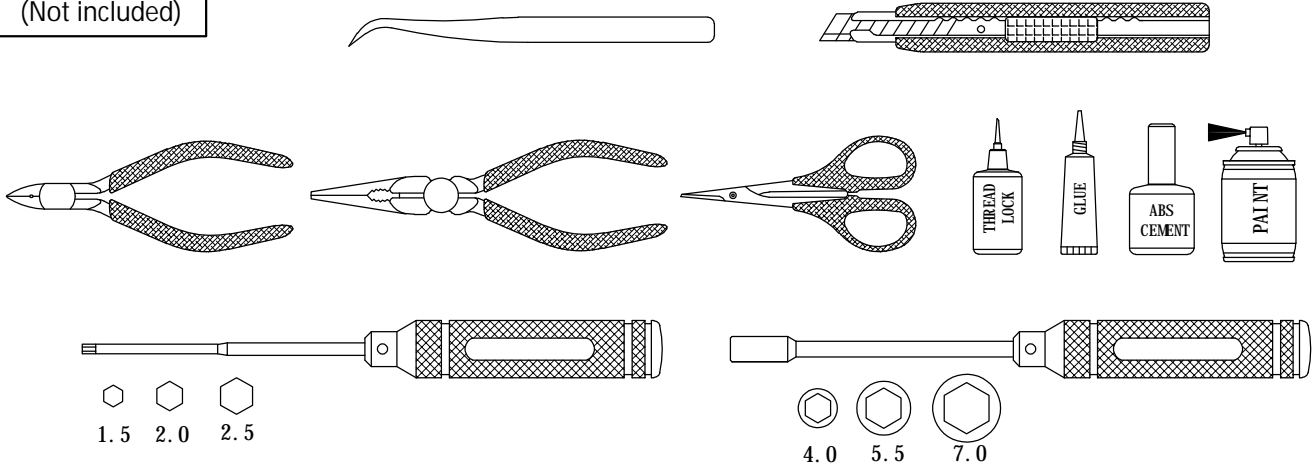
● **Inspect your radio-controlled model before operation**

- 2.1 Ensure that all screws are properly tightened. Use thread-lock to secure any metal to metal contacts- especially for components designed to withstand torque (servo mounts, motor mount, drive shaft grub screws etc.).
- 2.2 Always check the battery voltage for both the transmitter and vehicle prior to operating your vehicle. Keep the batteries fresh in the transmitter and always begin your vehicle runs with a fully charged battery pack.
- 2.3 Always check that the motor and servo are operating smoothly and in the right direction prior to operation. If binding between components is observed, replace parts as necessary to reduce possibility of component or servo damage.
- 2.4 To turn on your vehicle, always power on your transmitter first, then power on your receiver.

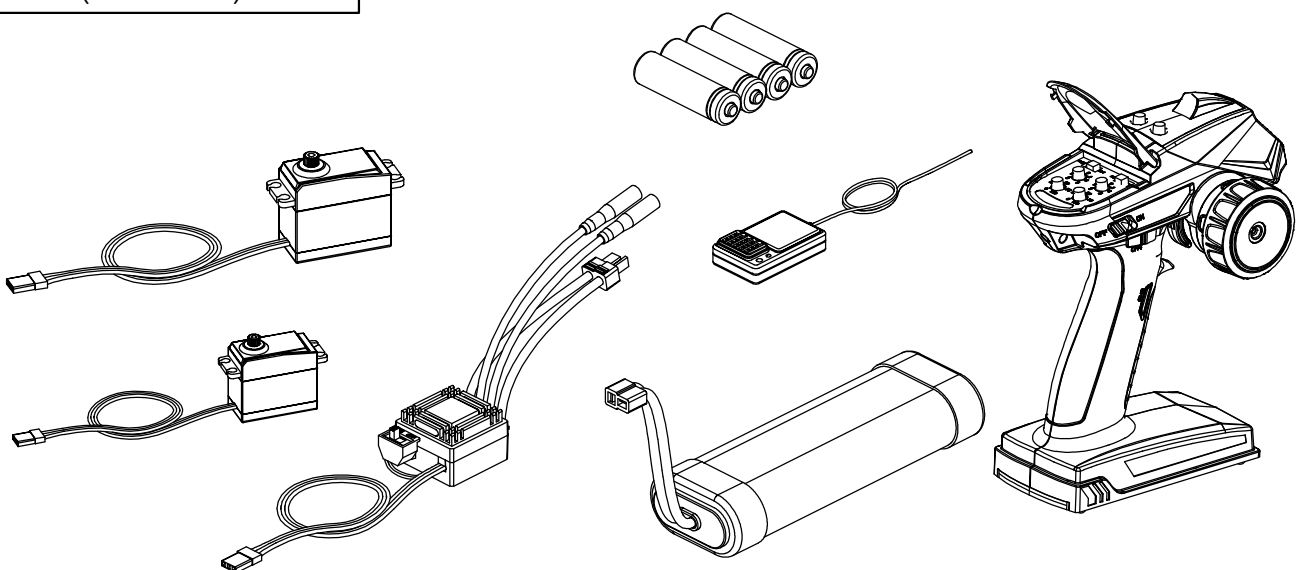
● **After operating your radio-controlled model**

- 3.1 To turn off the vehicle, always power off your receiver prior to powering off your transmitter.
- 3.2 Use caution when handling the vehicle- components, especially the ESC and motor which will be hot after operation.
- 3.3 Never use battery packs which are dented or otherwise damaged. Ensure that the wire insulation is intact and that connectors are properly soldered. Lithium batteries can become fire hazards if mishandled.

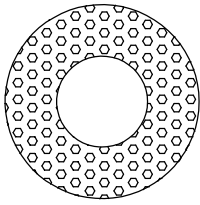
TOOLS
(Not included)



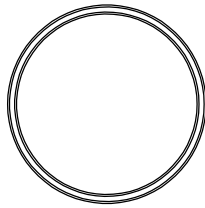
Electronic equipment
(Not included)



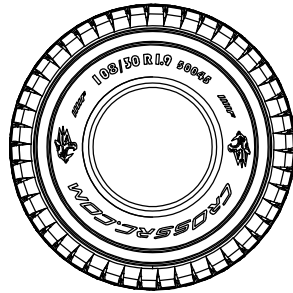
BAG(A)



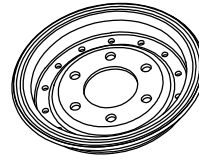
42325 X6



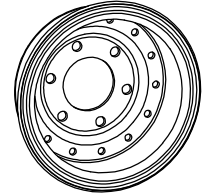
44177 X6



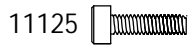
50045 X6



71071 X6



71072 X6



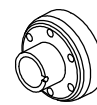
M2.5x10 X36



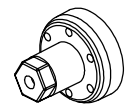
M2.5 X36



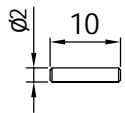
M4 X4



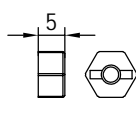
32202 X4



35903 X2



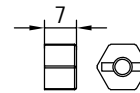
41209 X4



44092 X2

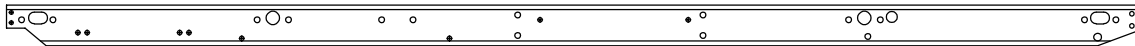


M3x3
11412 X4

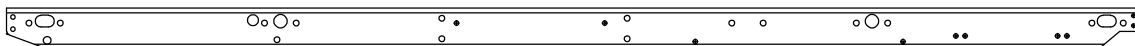


44091 X2

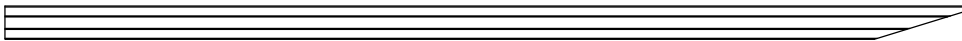
BAG(B)



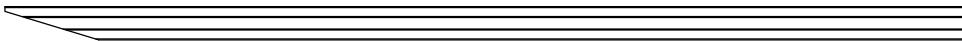
43321 x1



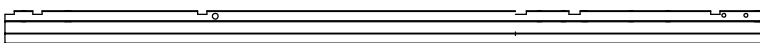
43322 x1



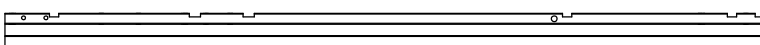
43323 x1



43324 x1

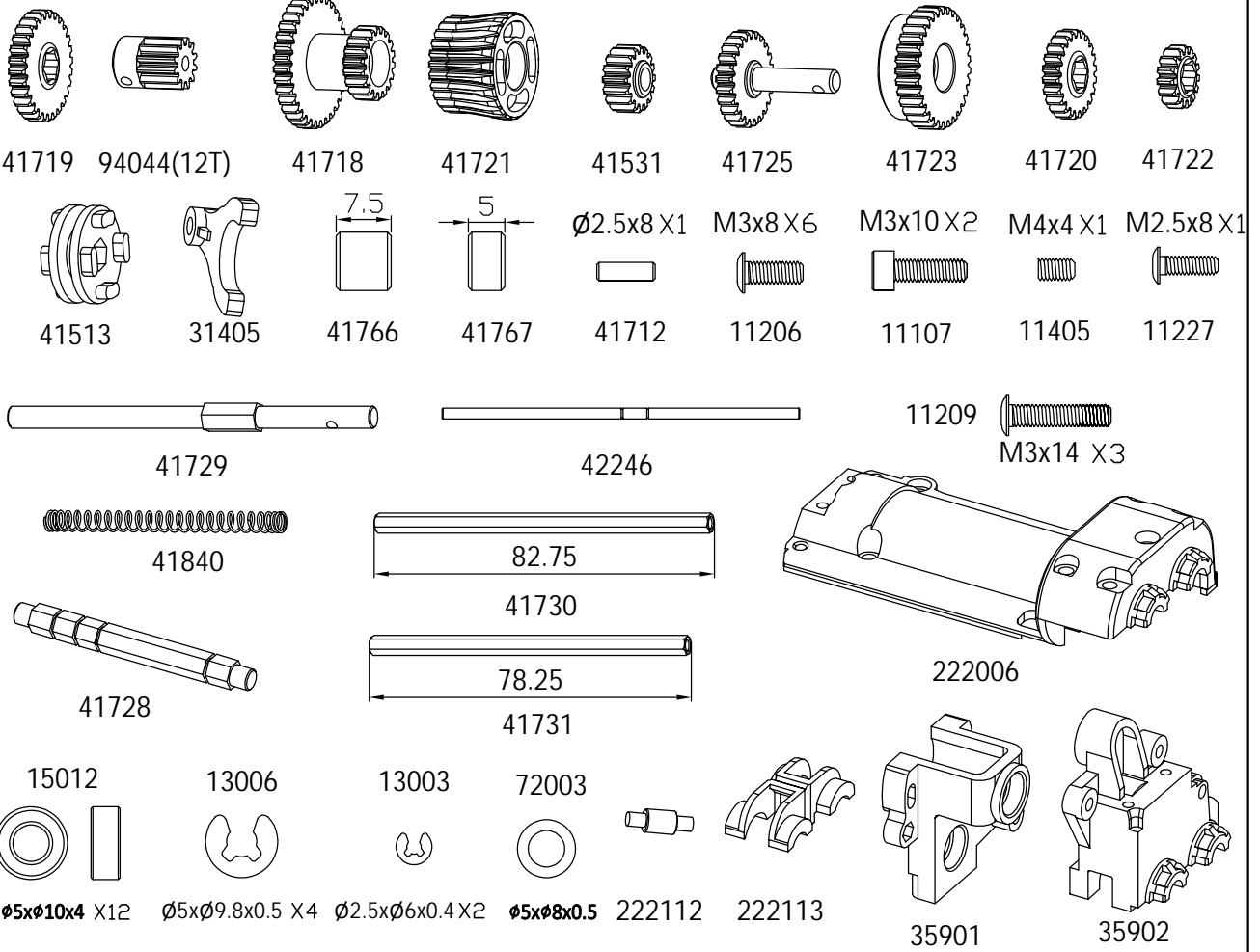


43325 x1

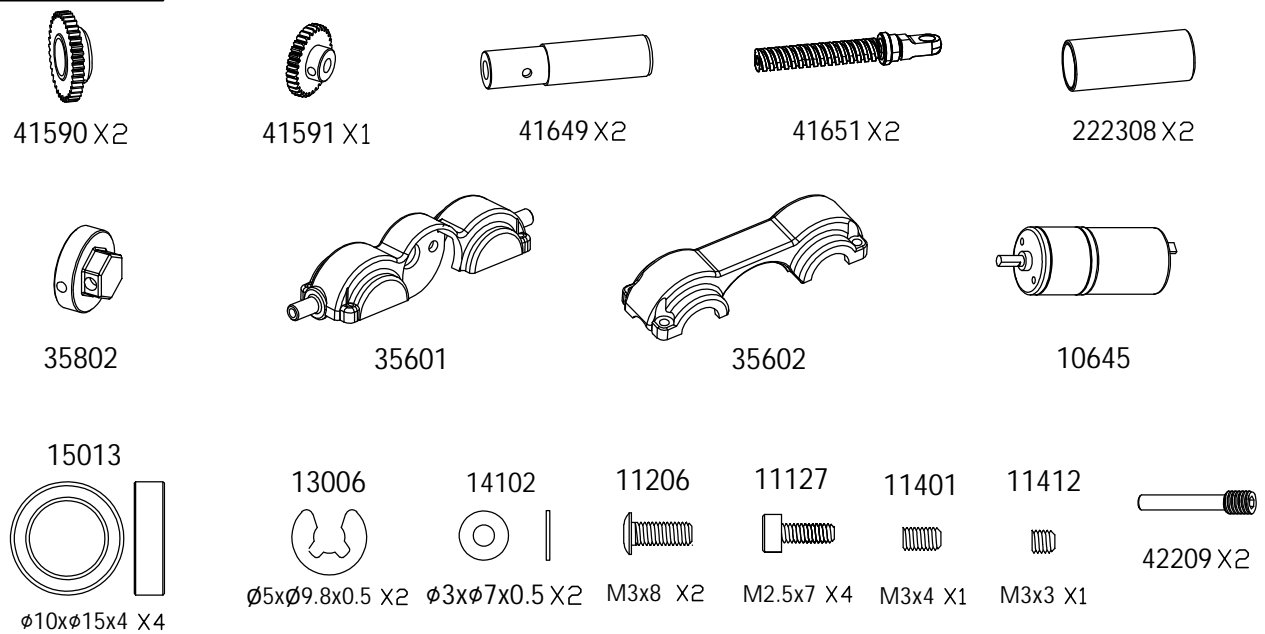


43326 x1

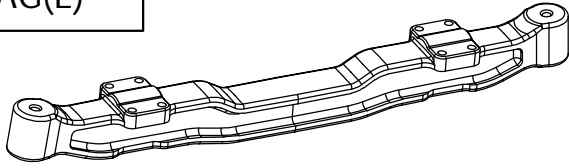
BAG(C)



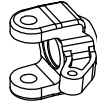
BAG(D)



BAG(E)



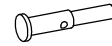
35301



35401



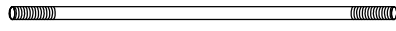
35402



41726 X2



41205 X4



41683 (∅3x68mm)

15012



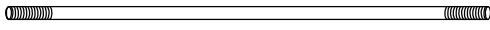
∅5x∅10x4 X4



222211 X4



41336 X4



41937 (∅3x155mm)



11214

M3x25 X1



11211

M3x18 X1



11207

M3x10 X4



12203

M3 X2



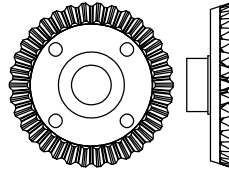
33905(11T)



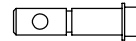
33906(18T) X2



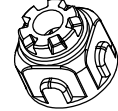
33907(13T) X4



33904(34T)

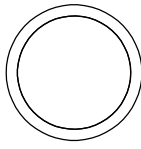


42214



222307

∅15x∅18x0.2



75020 X1



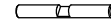
35804X1



33908 X1



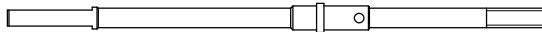
41839 X1



42223 X2



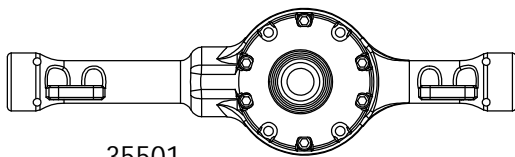
41689



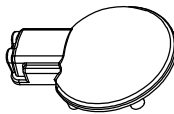
41733



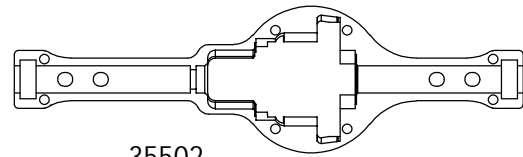
41734



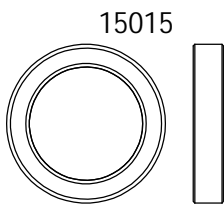
35501



35503

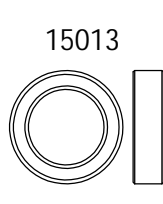


35502



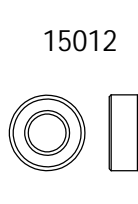
15015

∅15x∅21x4 X1



15013

∅10x∅15x4 X1



15012

∅5x∅10x4 X4



13002

∅3.8x∅9.2x0.6 X1



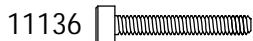
13004

∅2.0x∅5.5x0.4 X1



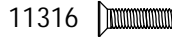
11125

M2.5x10 X4



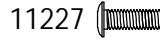
11136

M2.5x18 X4



11316

M2.5x10 X1



11227

M2.5x8 X4



72007

∅5x∅8x0.3 X1

BAG(F)

71015 X4 71165 X16 71014 X16 71013 X16

35302 X4 35303 X4 41732 X8 71280 X4 71279 X4 41735 X8

11228 M2.5x12X4 12203 M3 X8 12206 M2 X16 11224 M2.5x14 X4

BAG(G)

45114 X2 35701 35702 35801 71297

35403 35404 41654 41653 41655

BAG(H)

71295 71296 73097X2

BAG(I)

10644 10645 91127

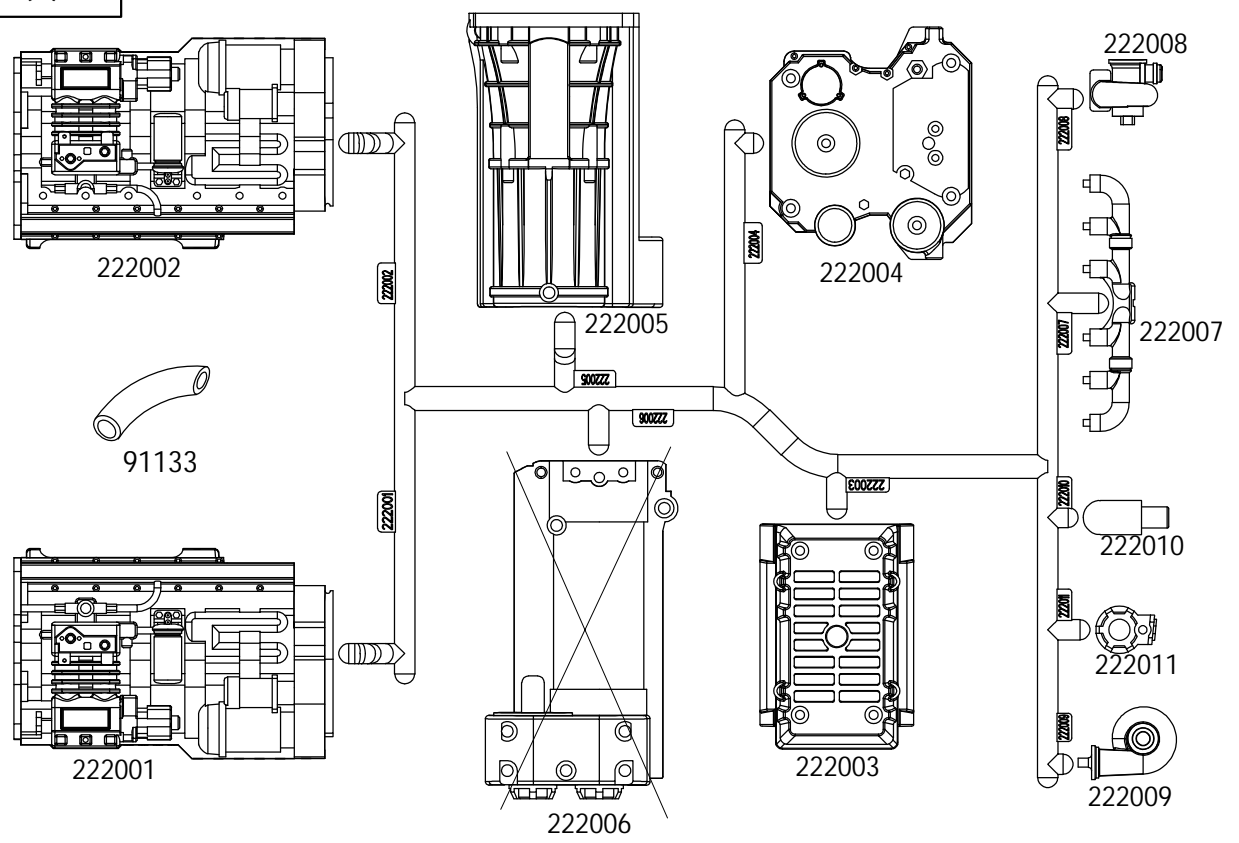
BAG(J)

95031 125 95033 100

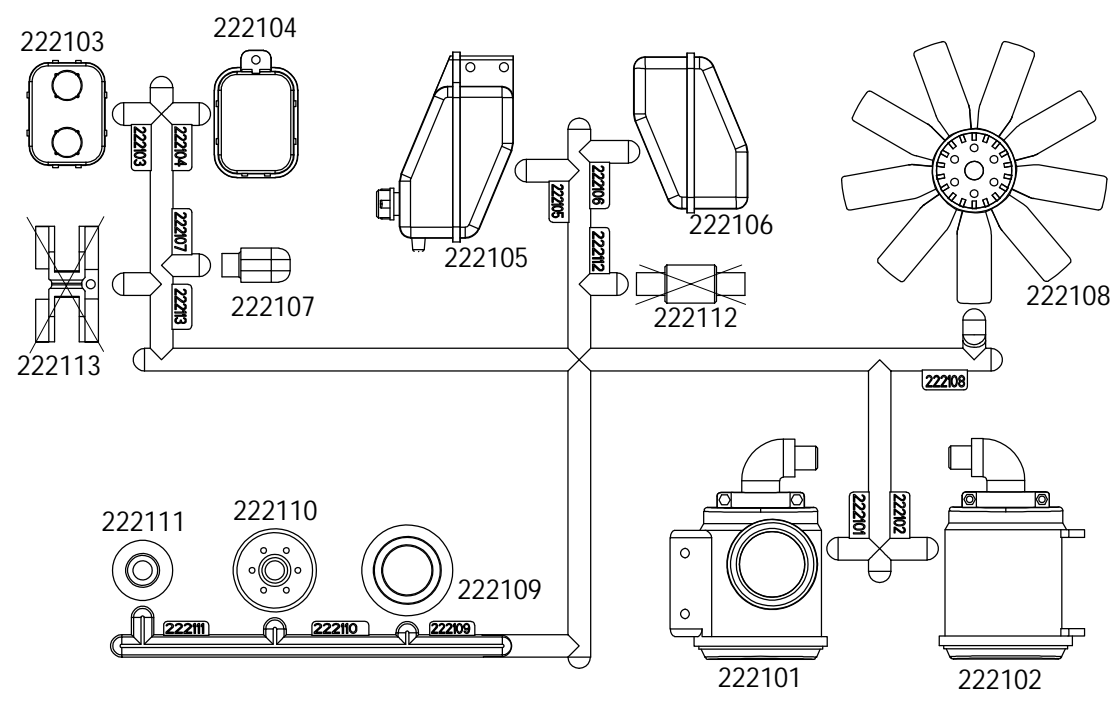
41736 41727X2

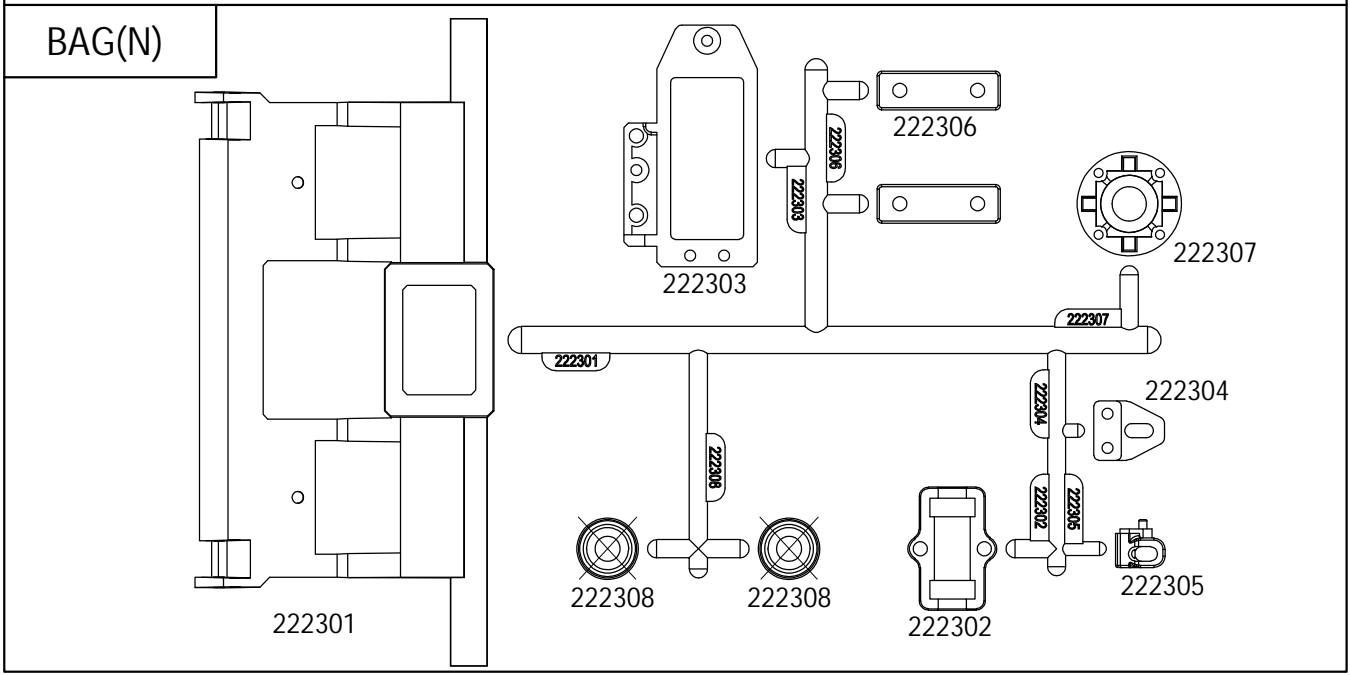
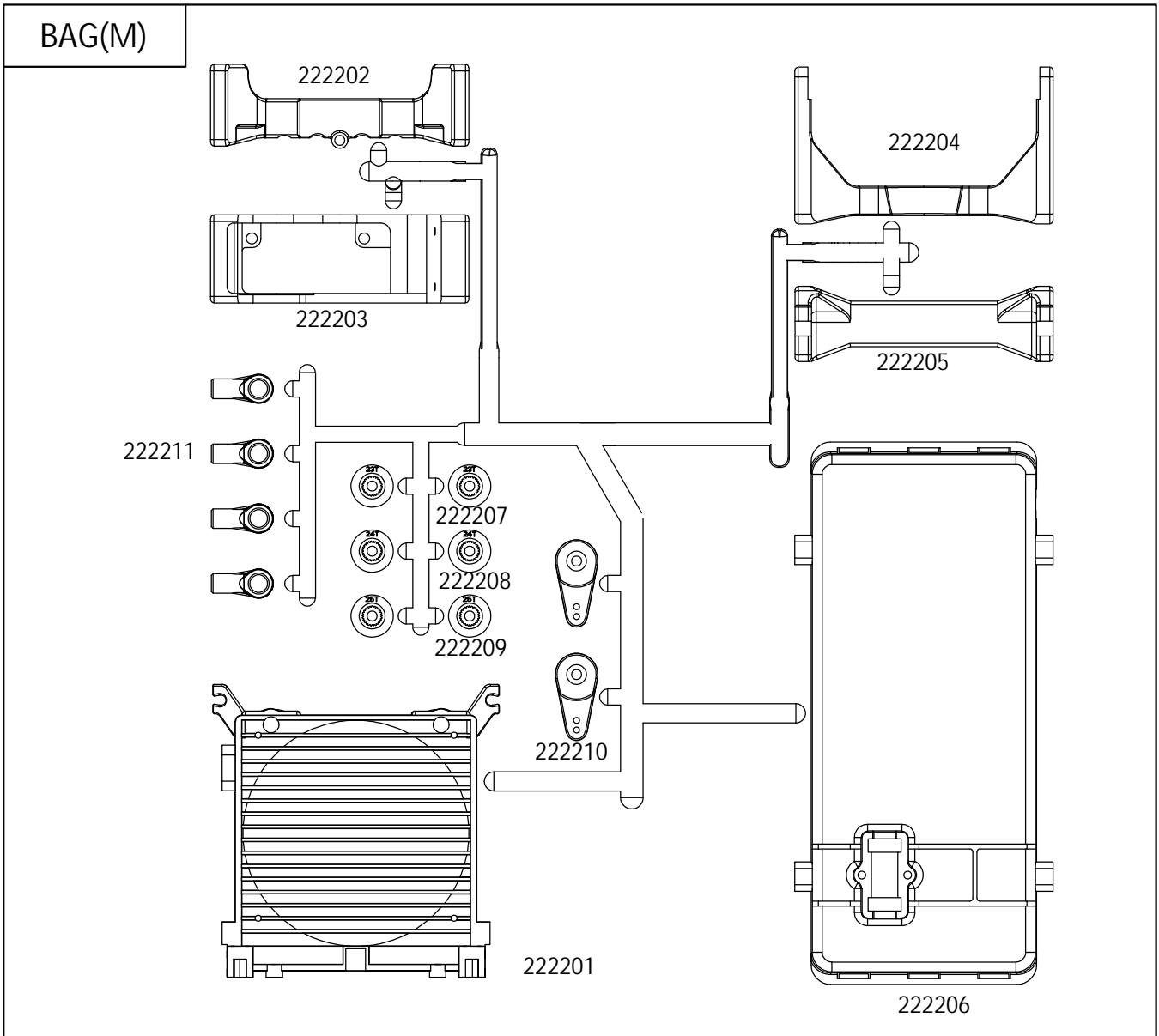
41652

BAG(K)

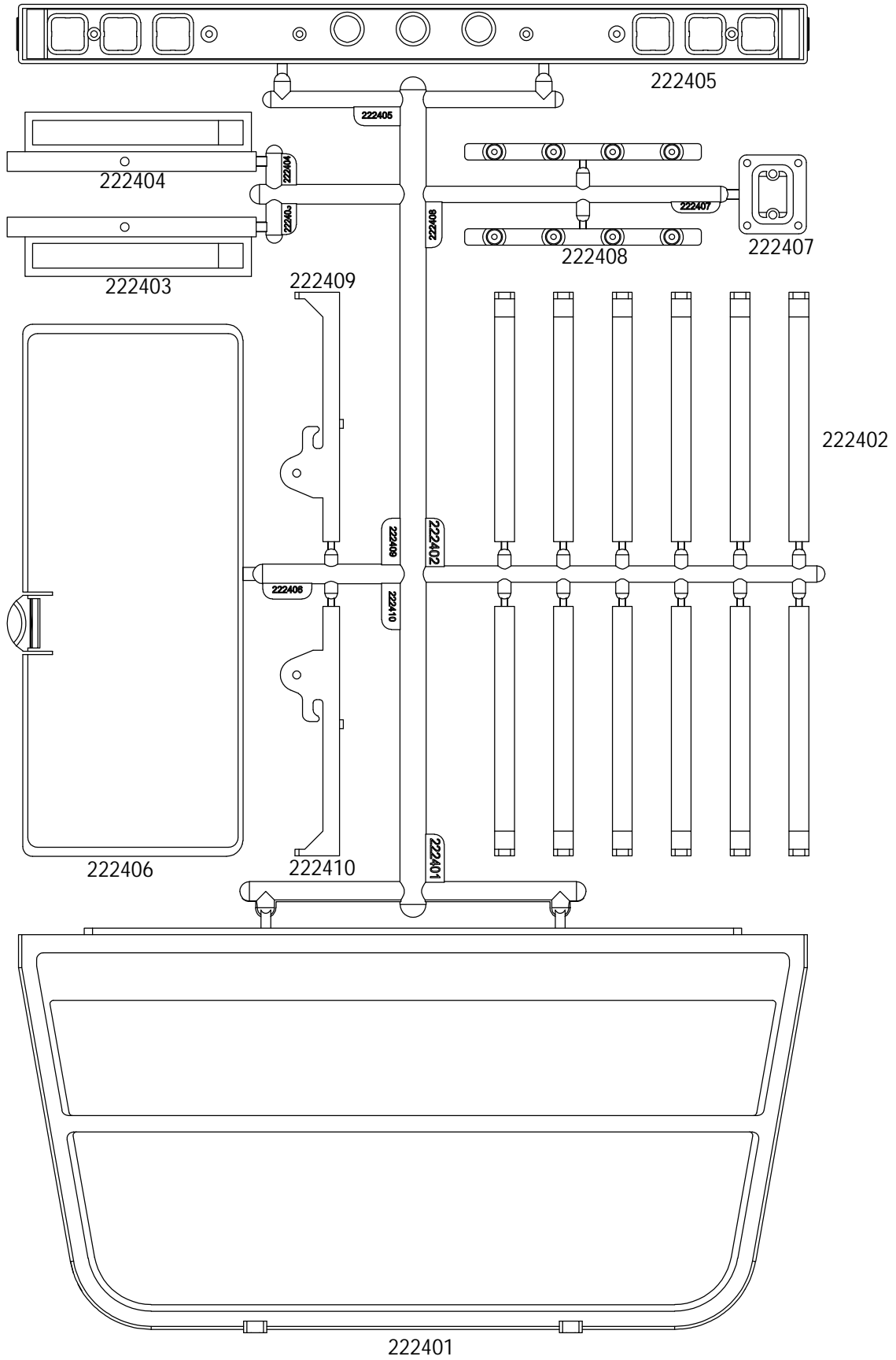


BAG(L)

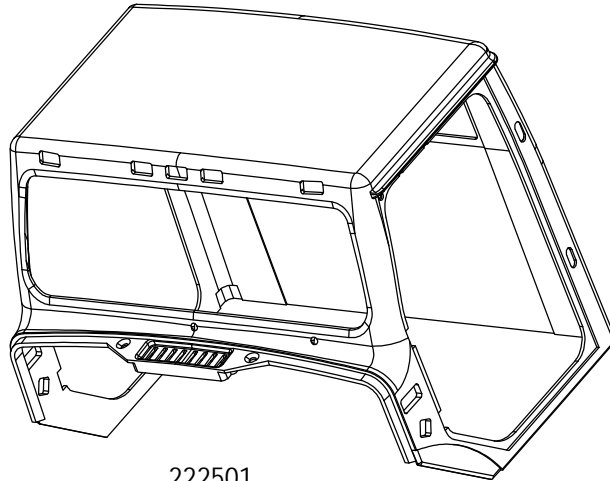




BAG(O)

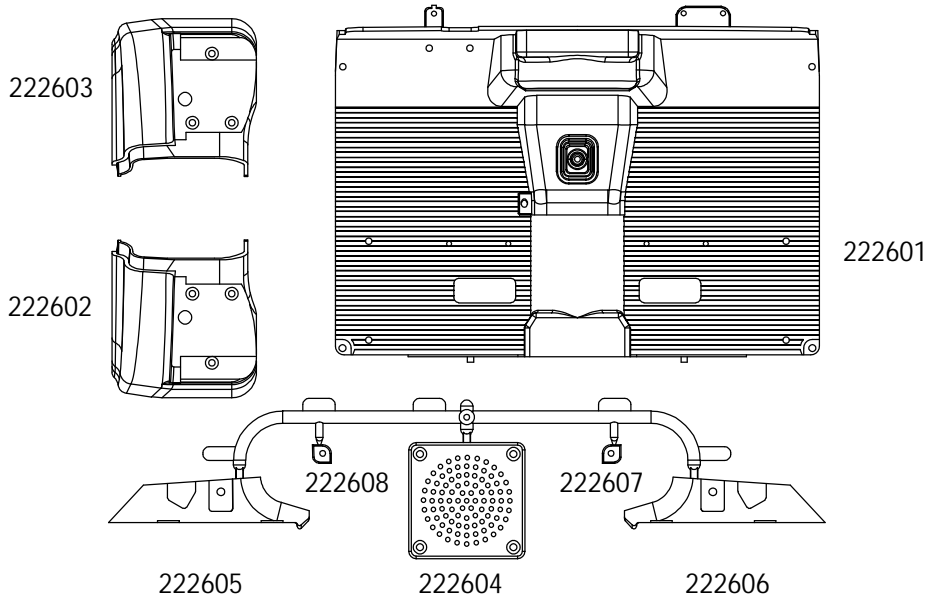


BAG(P)



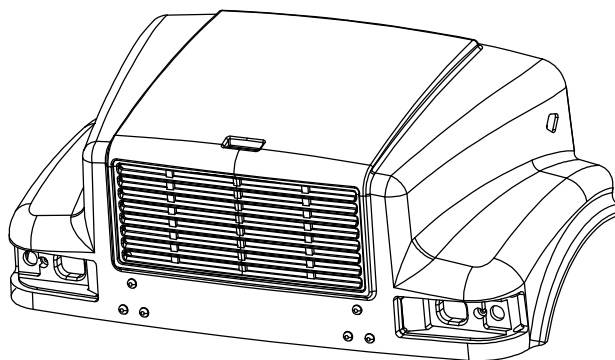
222501

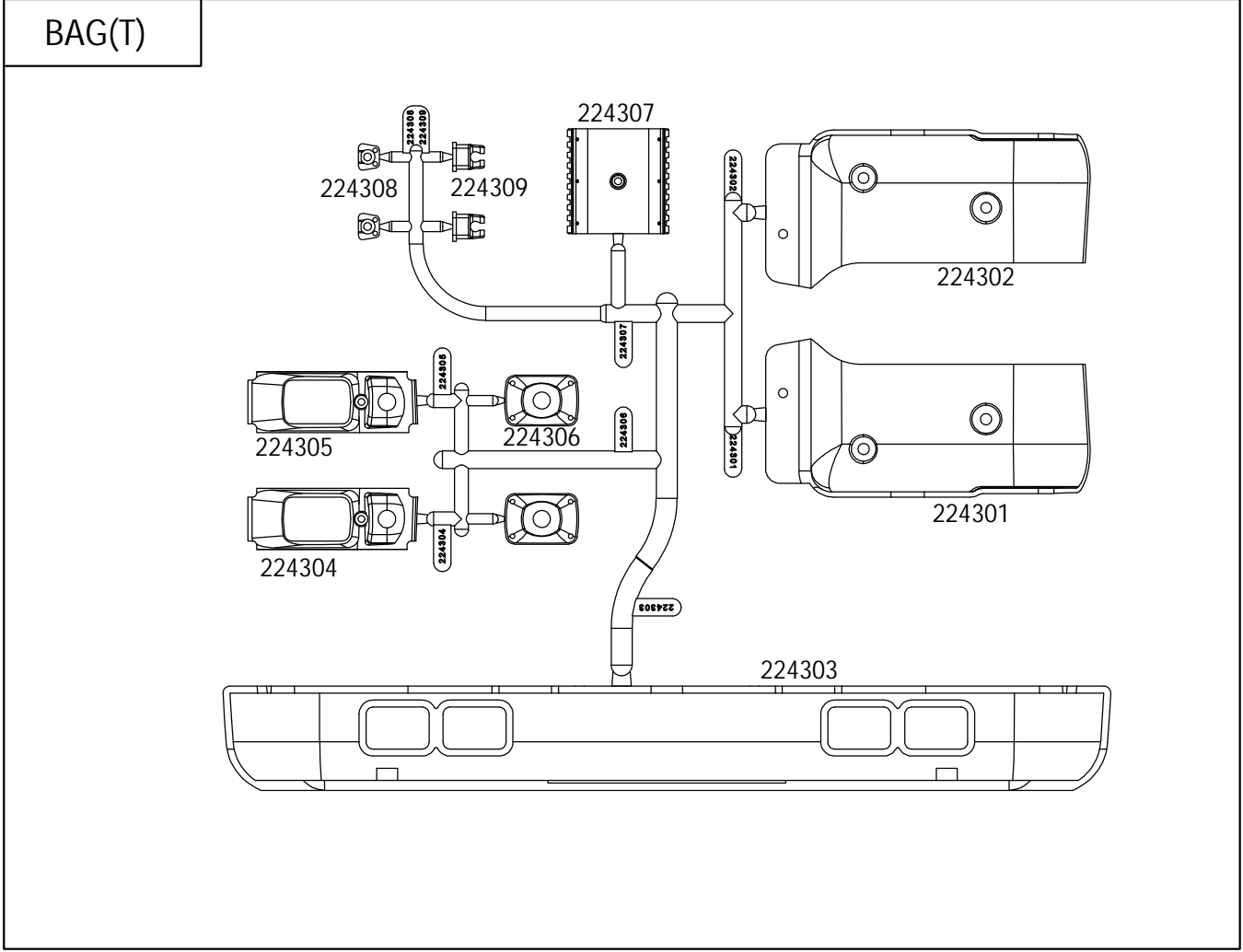
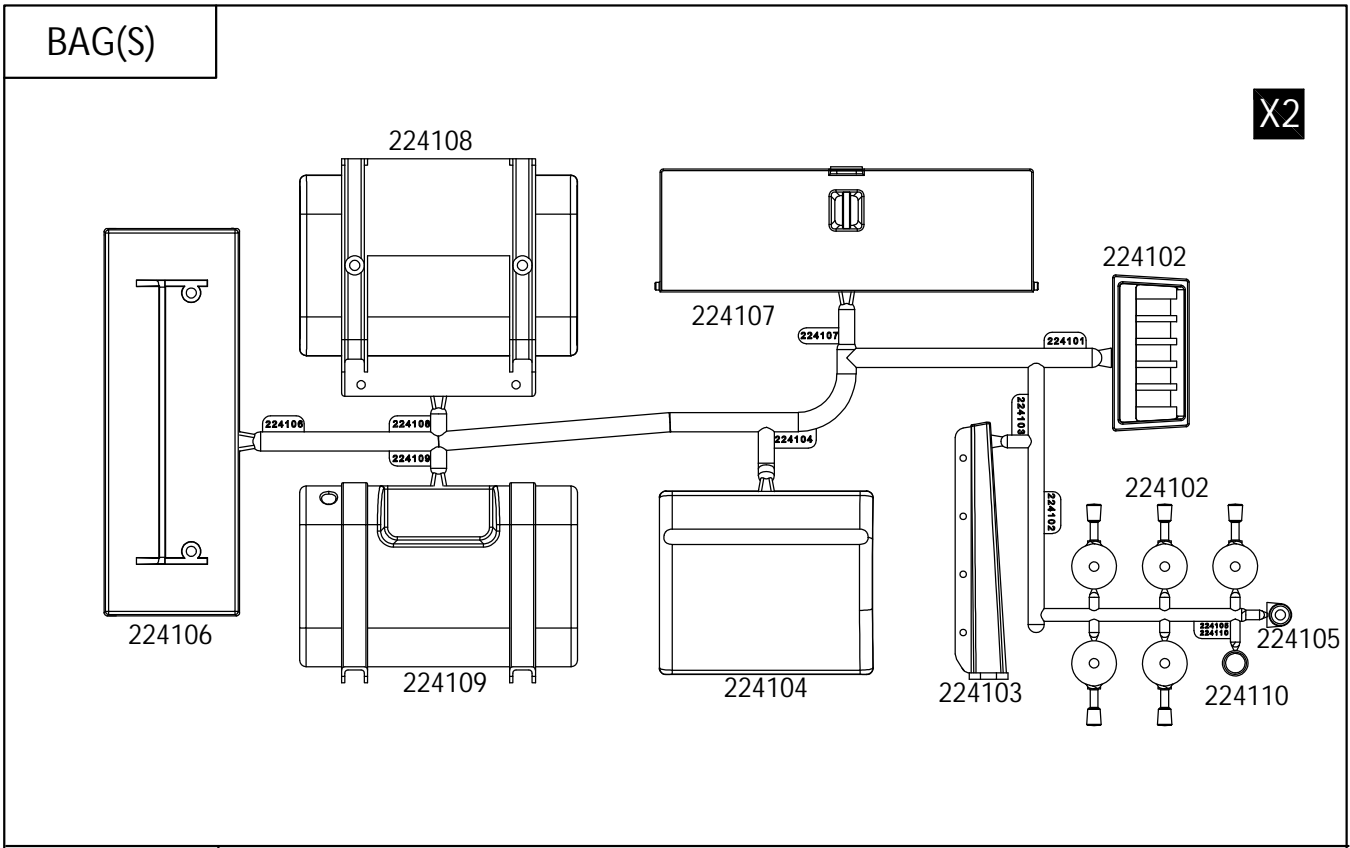
BAG(Q)

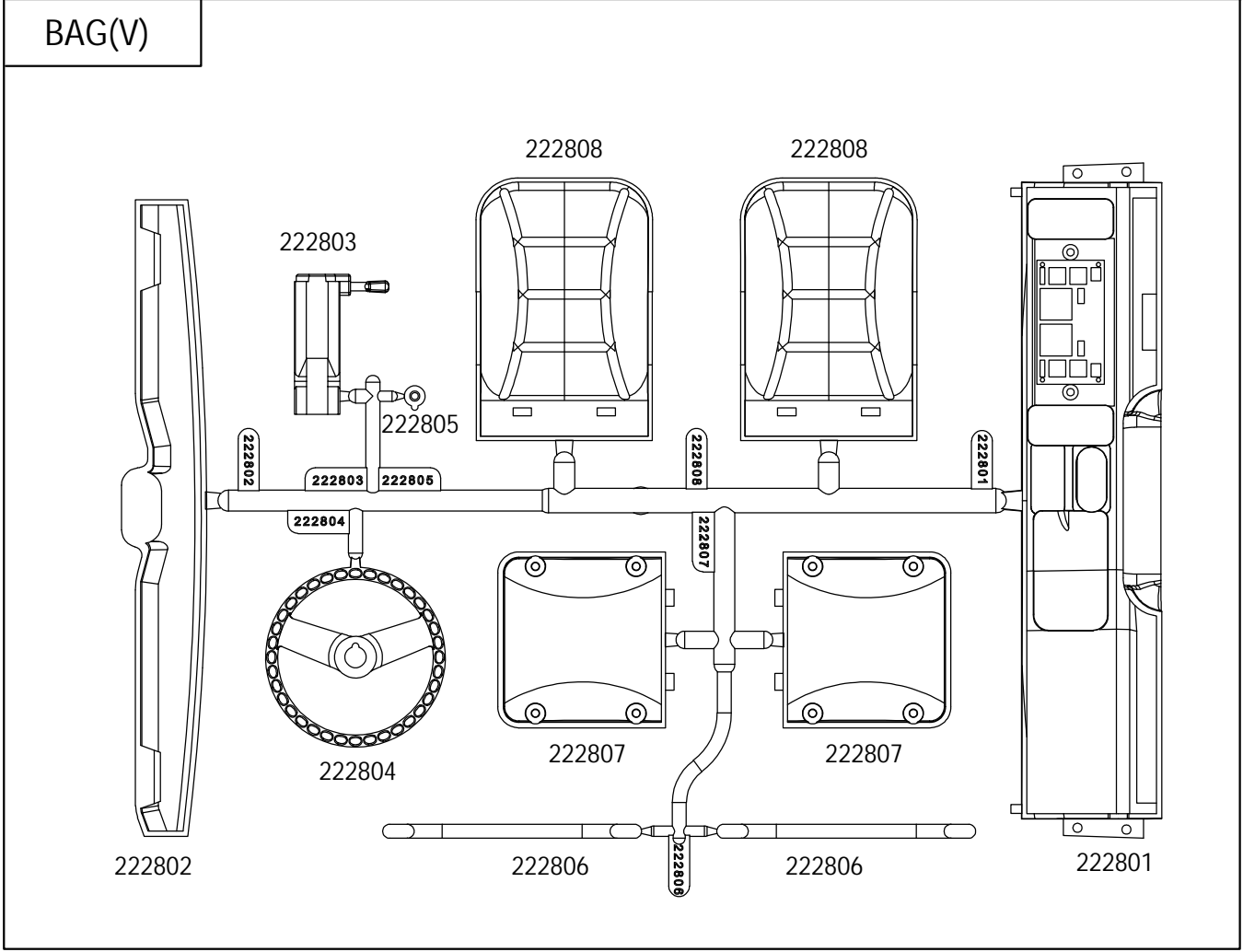
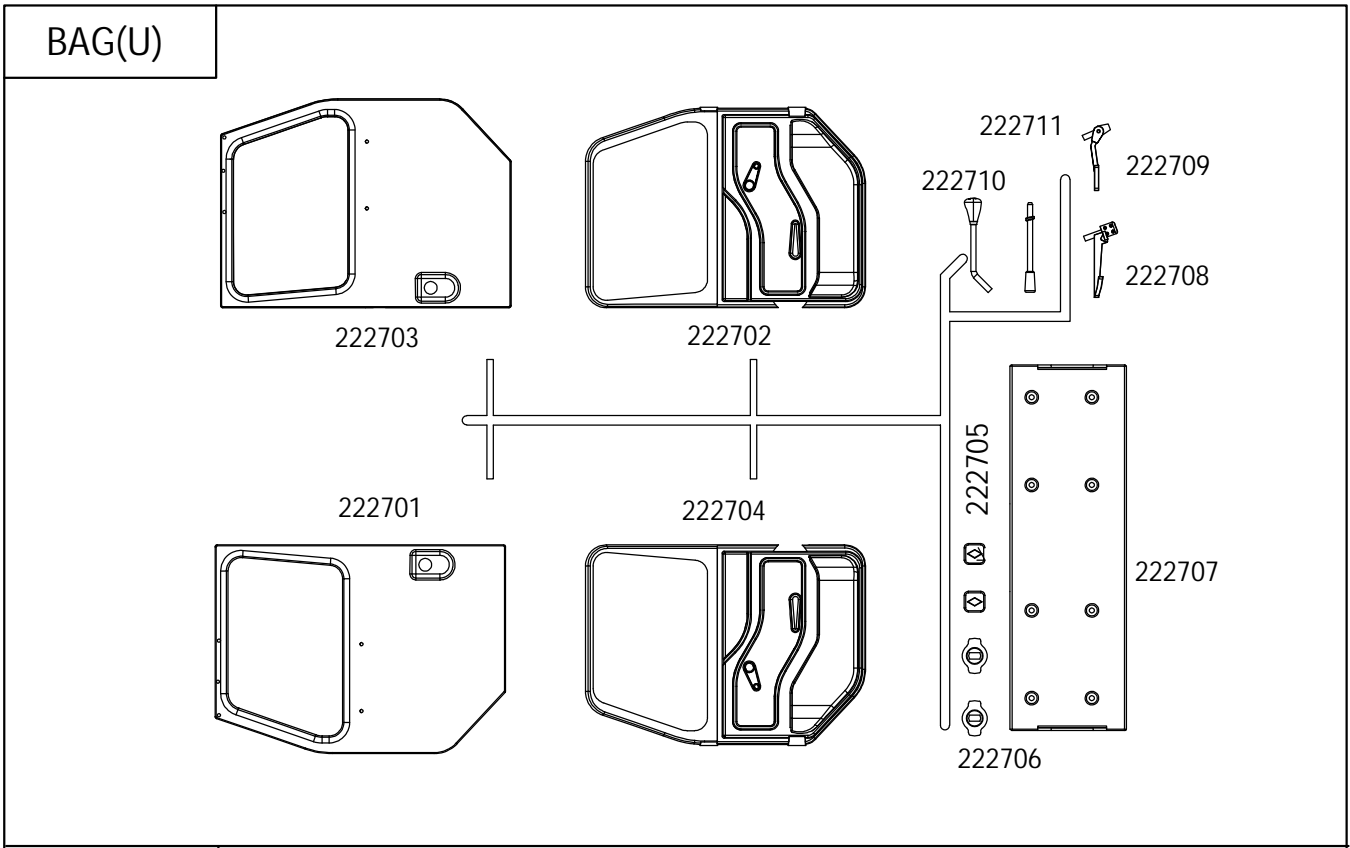


BAG(R)

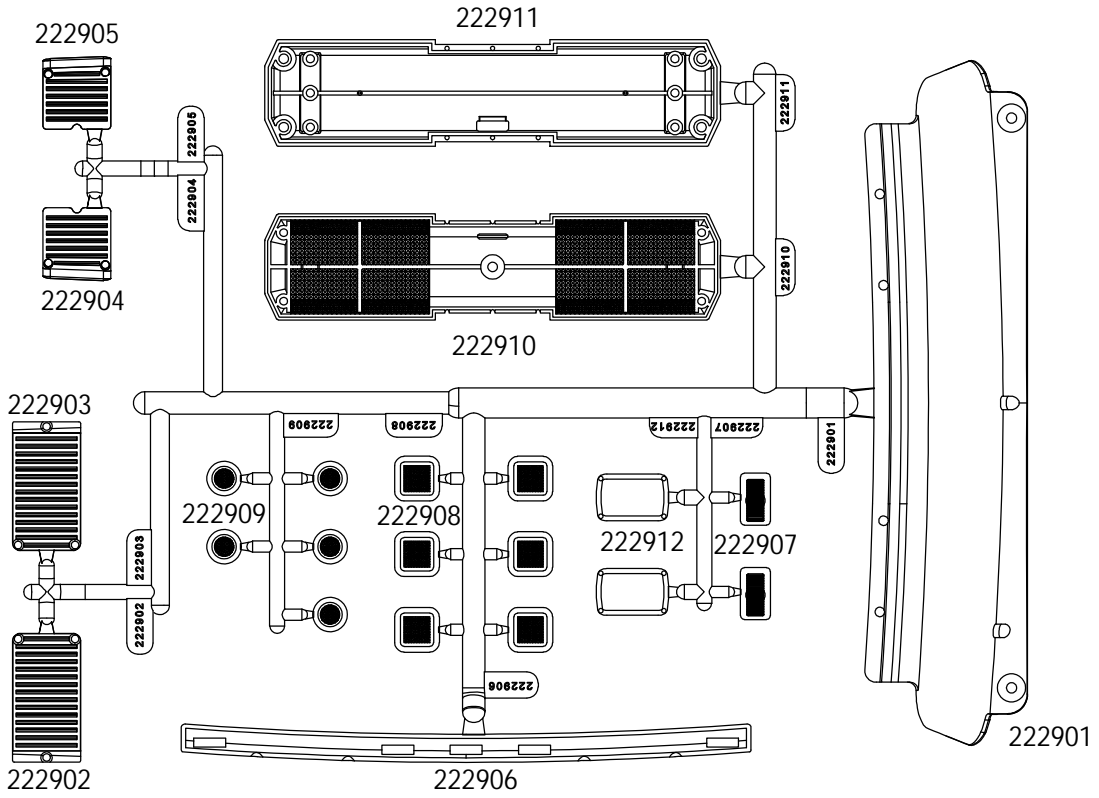
224201



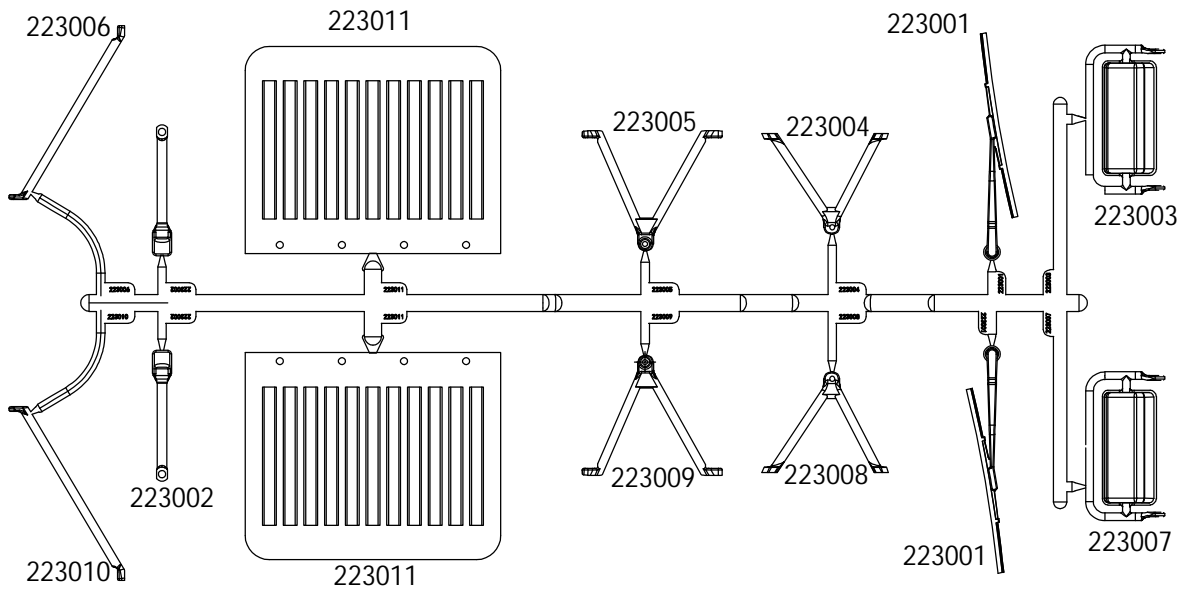




BAG(W)



BAG(X)



BAG(Y)

65004

65005

65006

65007x2

65010

65013x2

65014x2

65015x2

65016x4

BAG(Z)

65011

65012

65009

65008x2

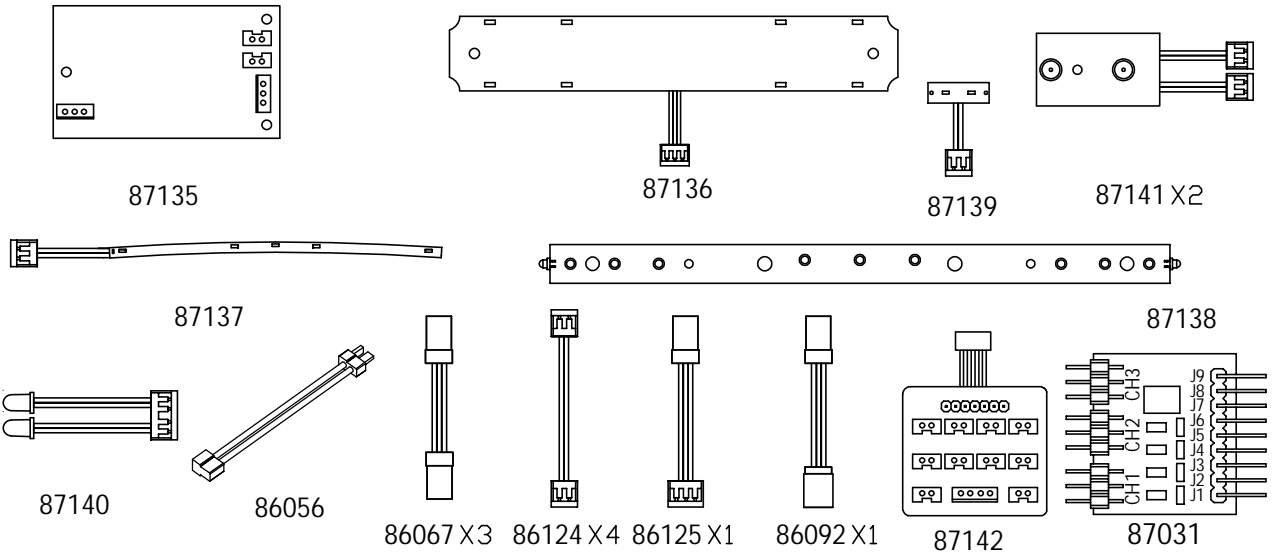
BAG(AA)

65001x2

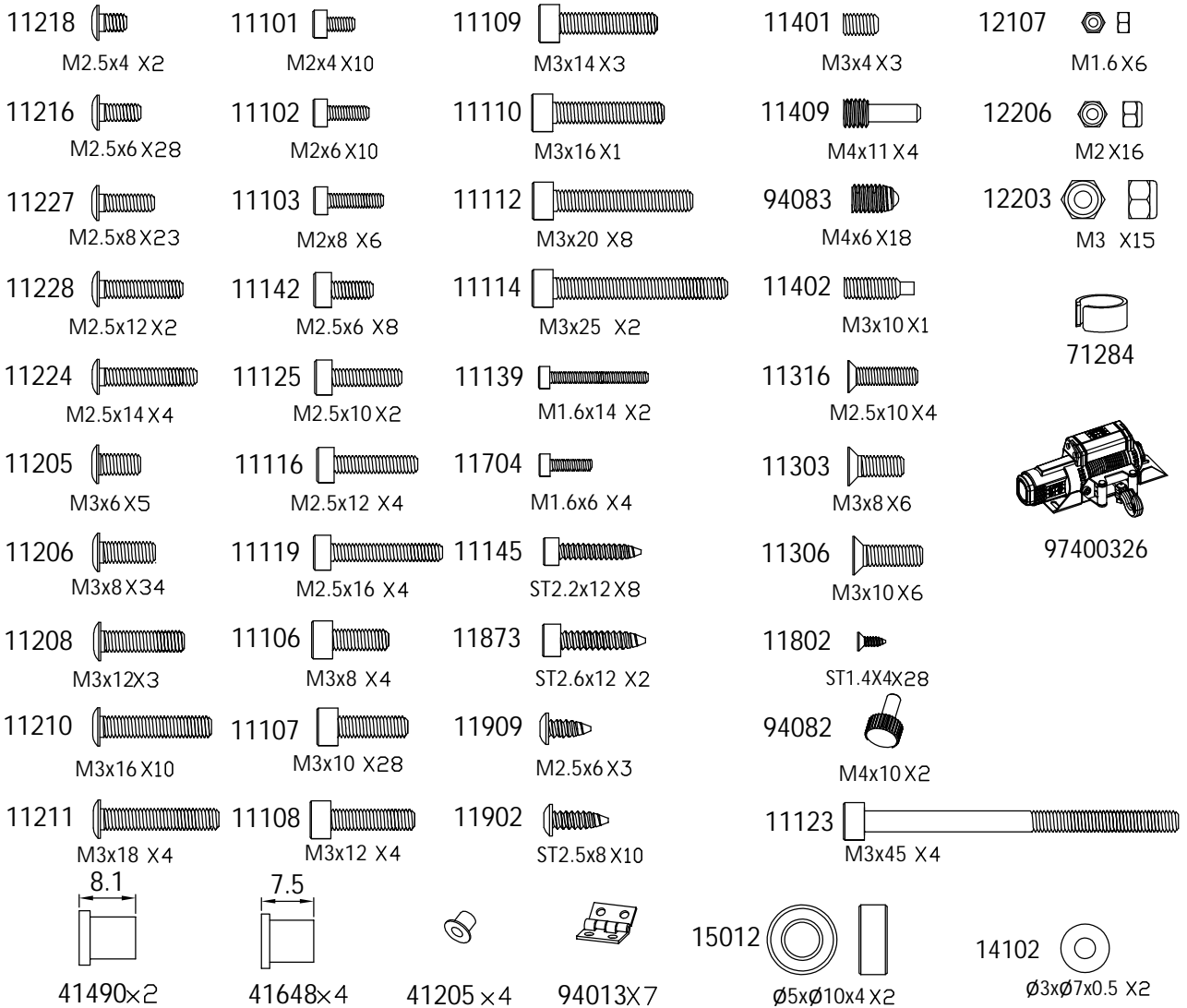
65002

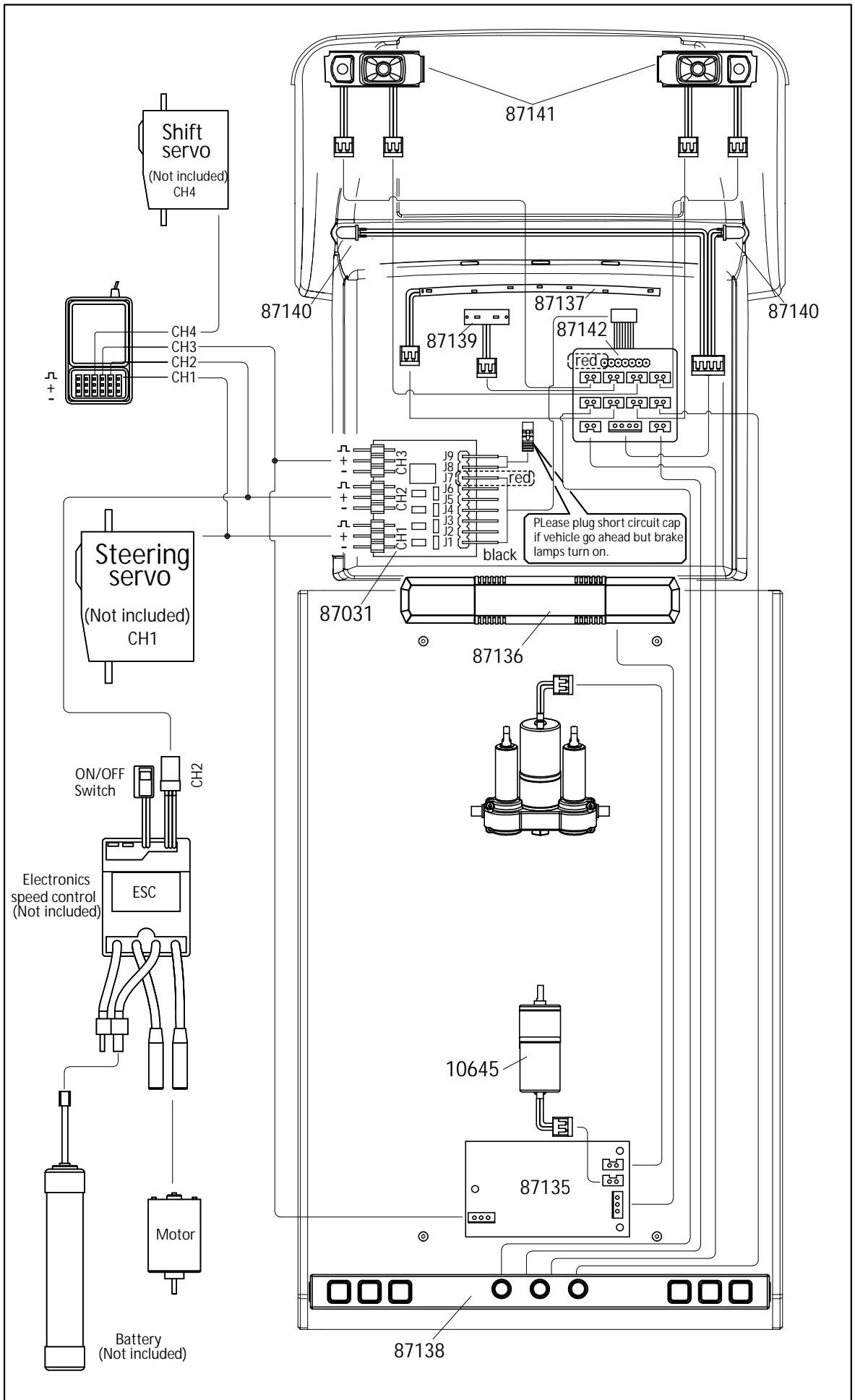
65003

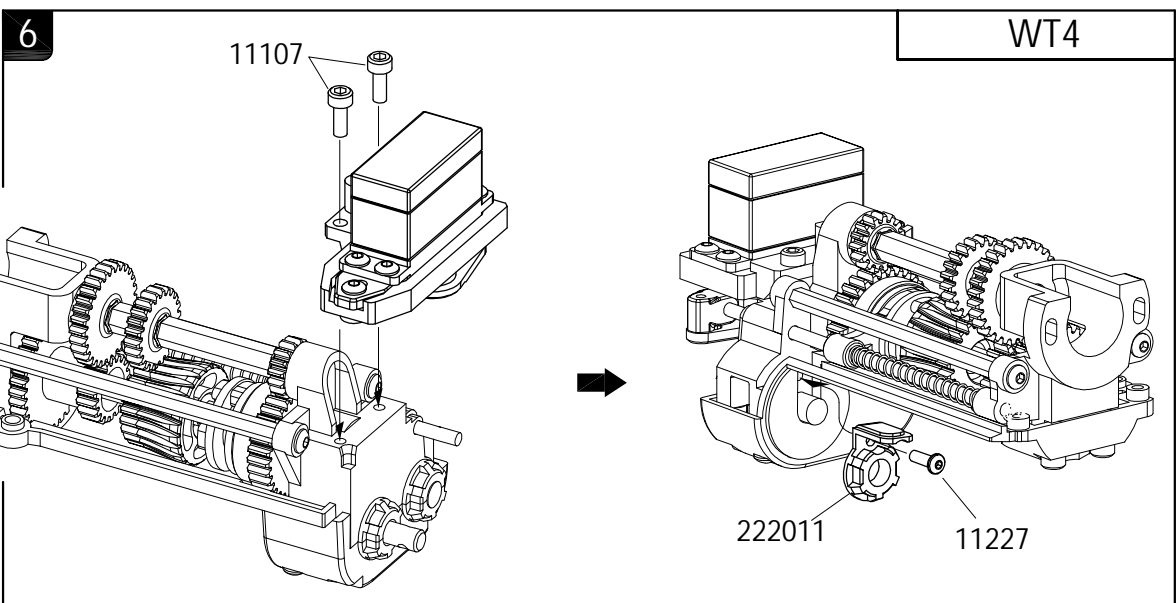
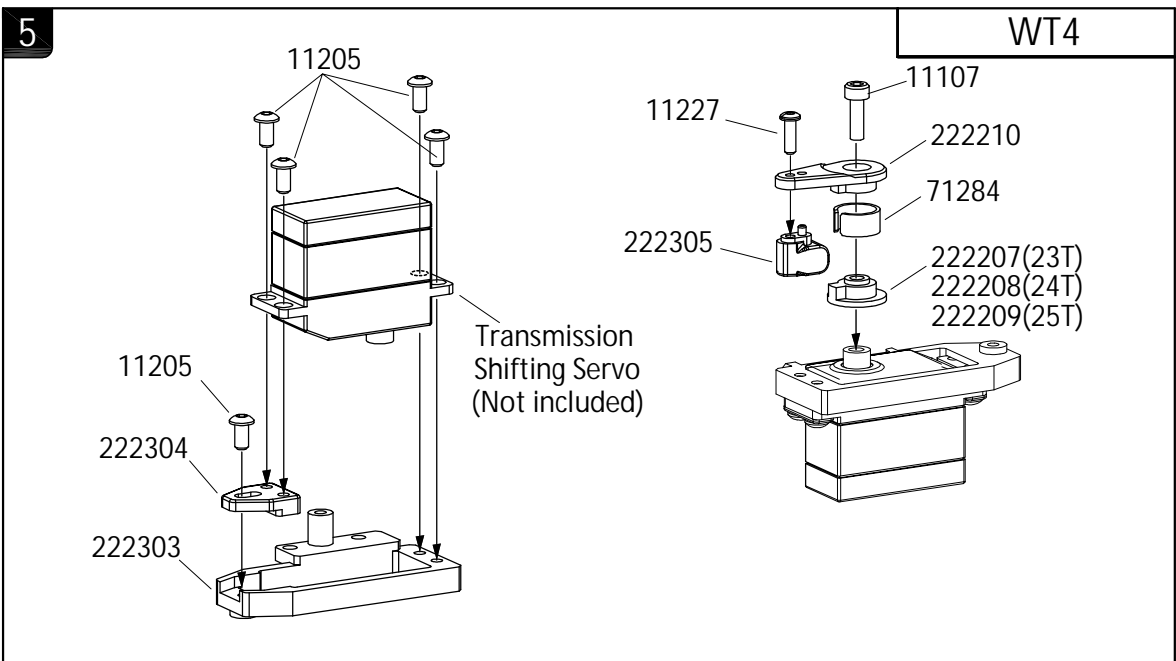
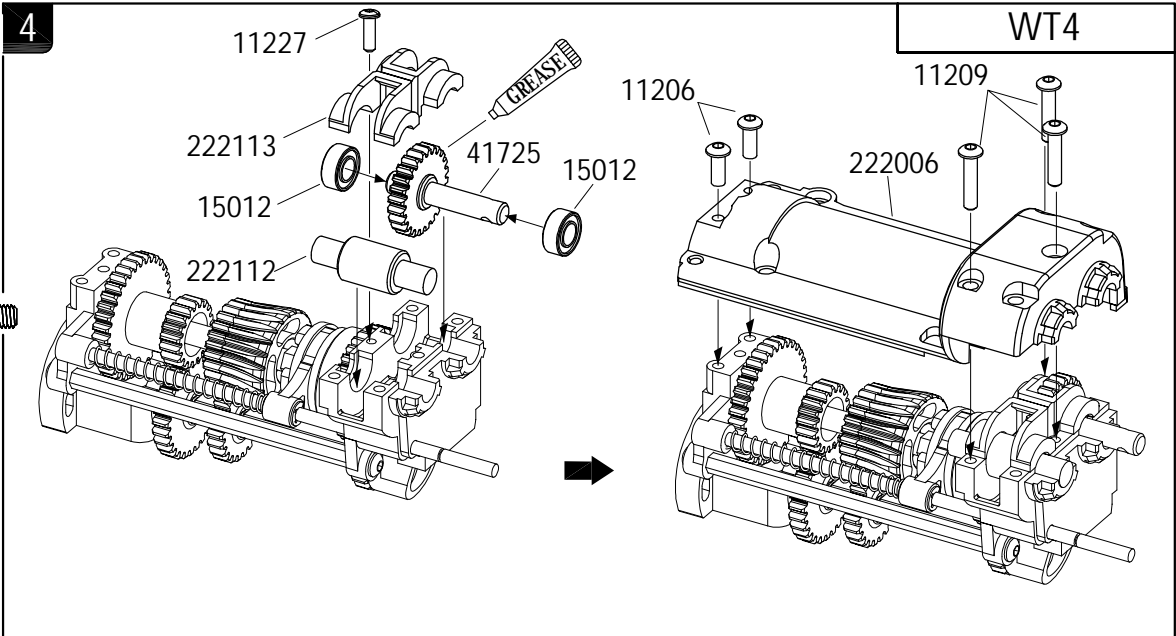
BAG(BB)

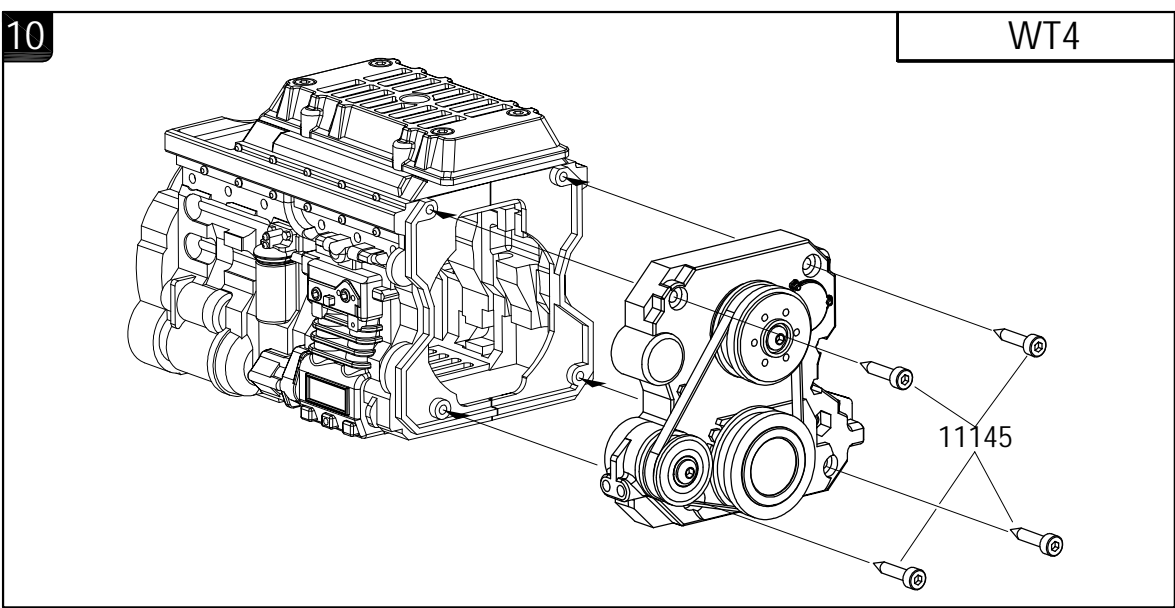
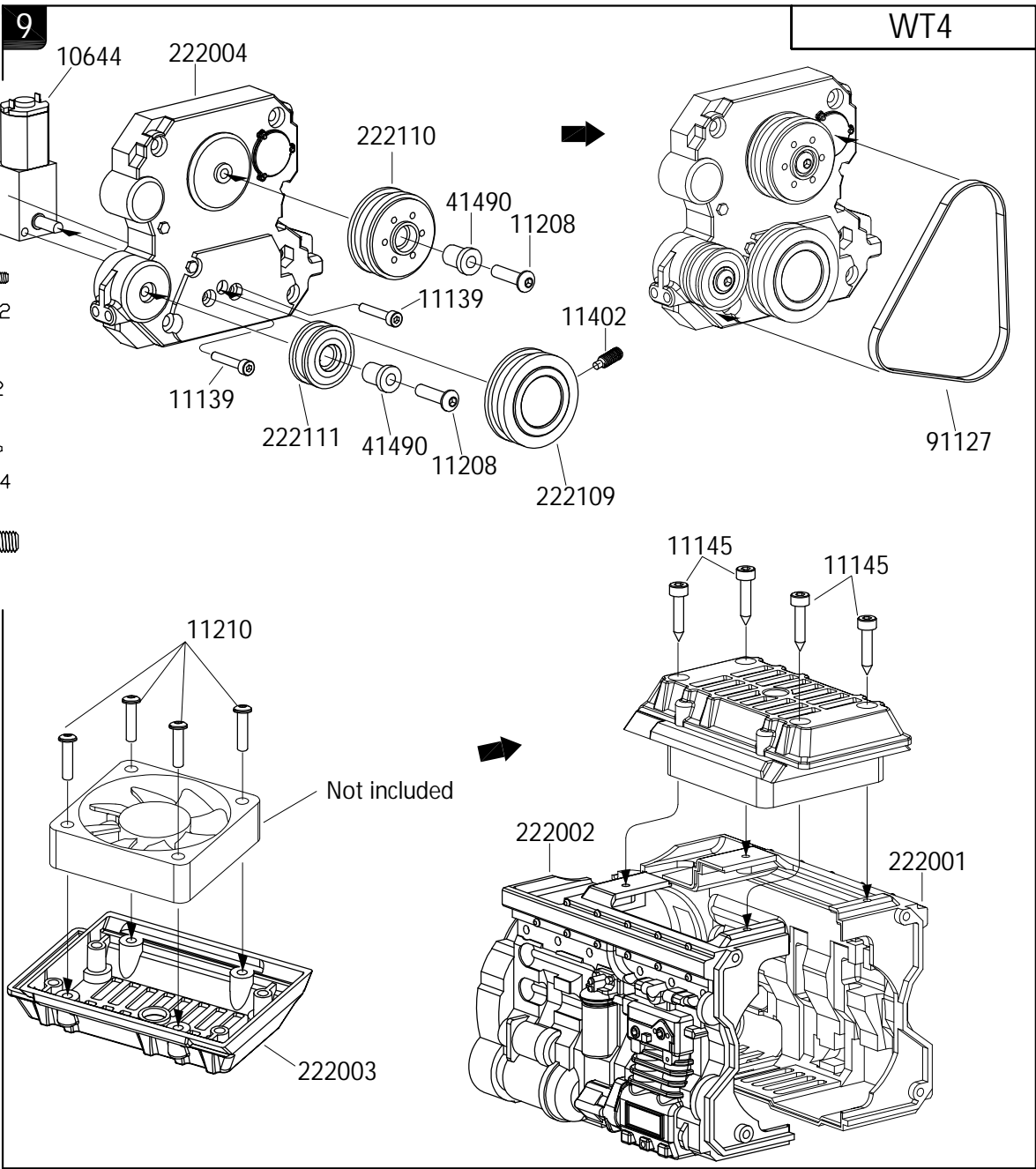


BAG(CC)



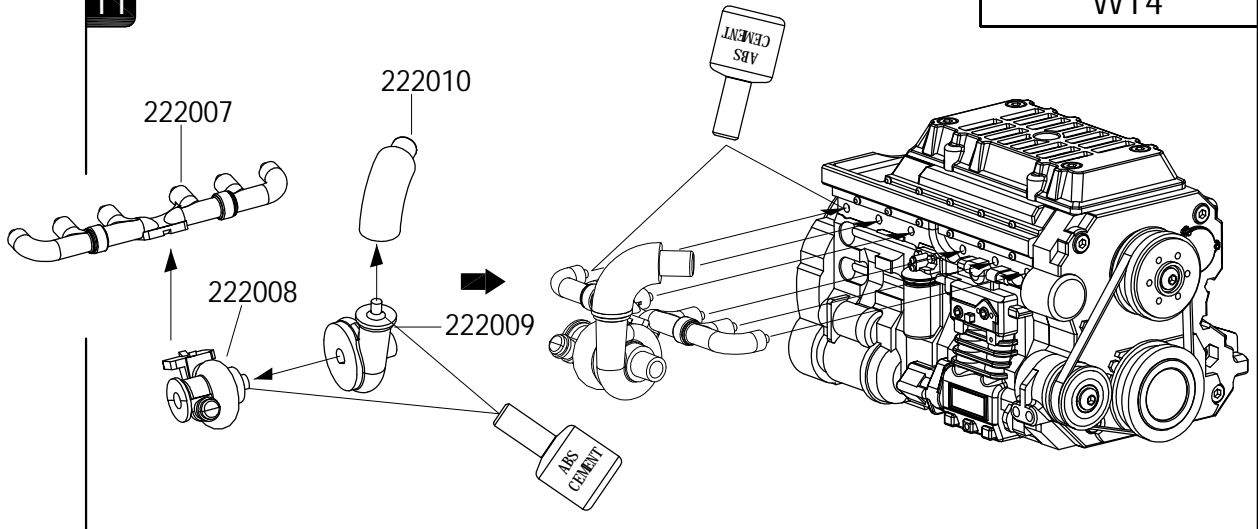






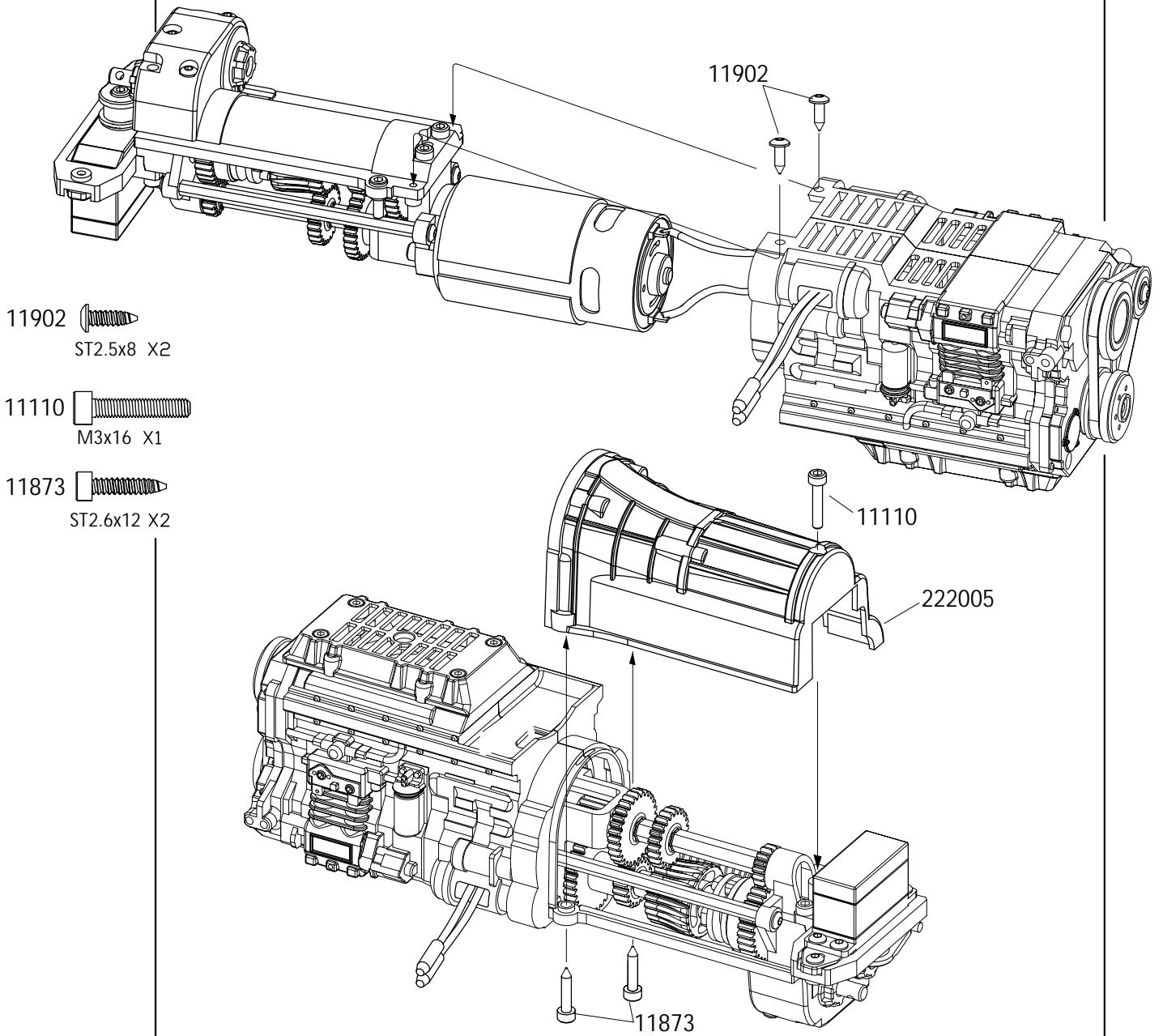
11

WT4



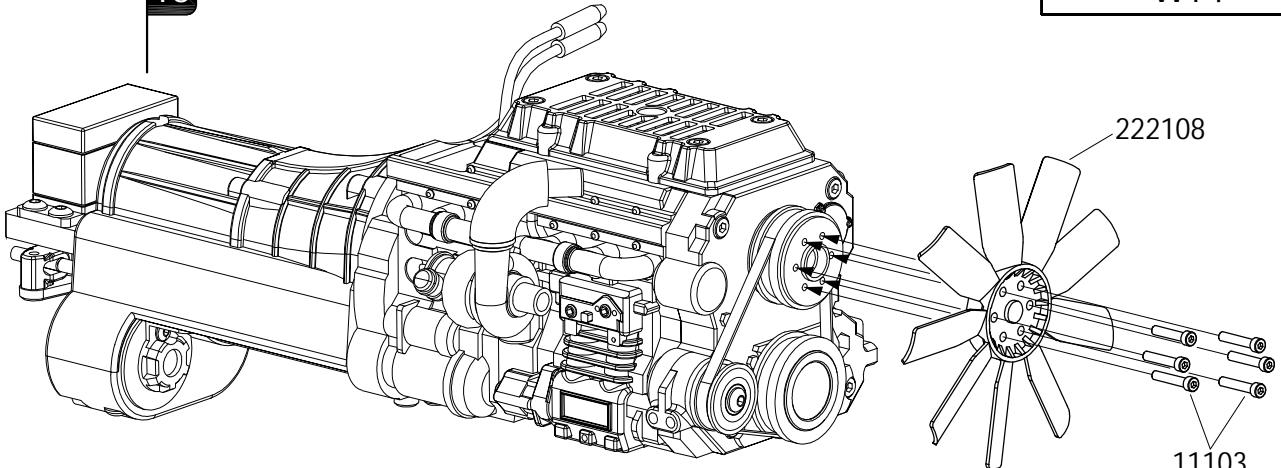
12


WT4



13

WT4



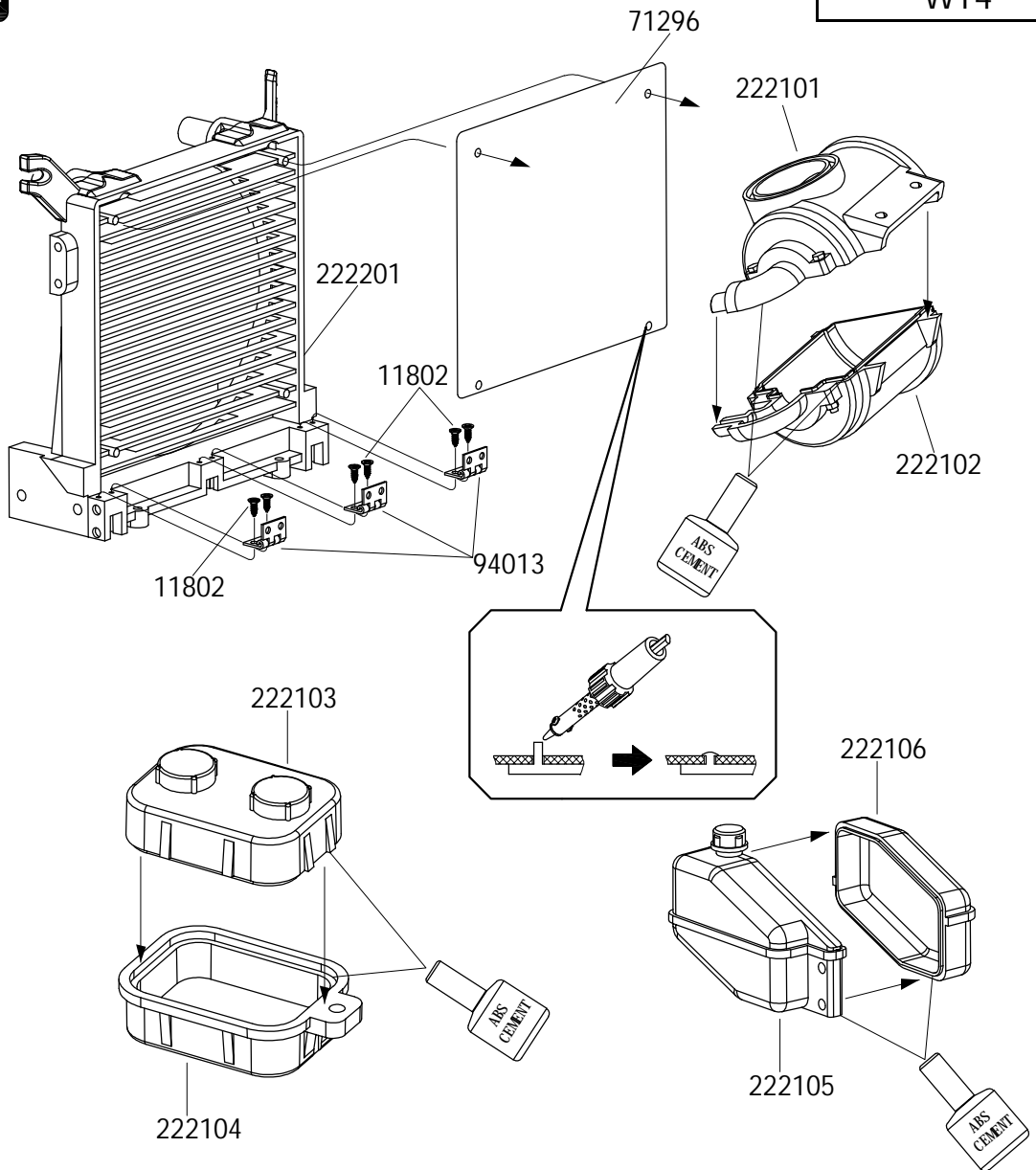
11103  M2x8 X6

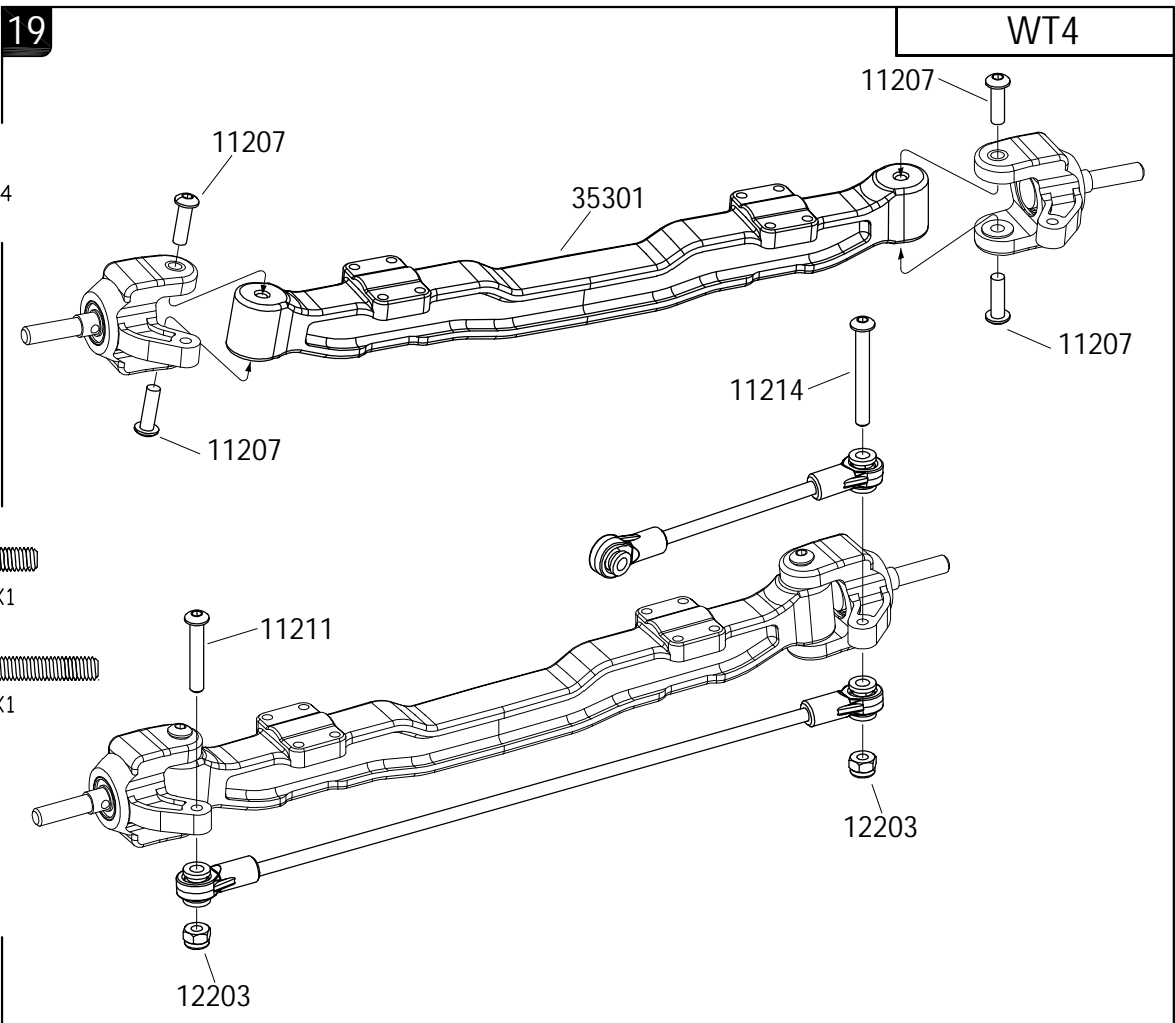
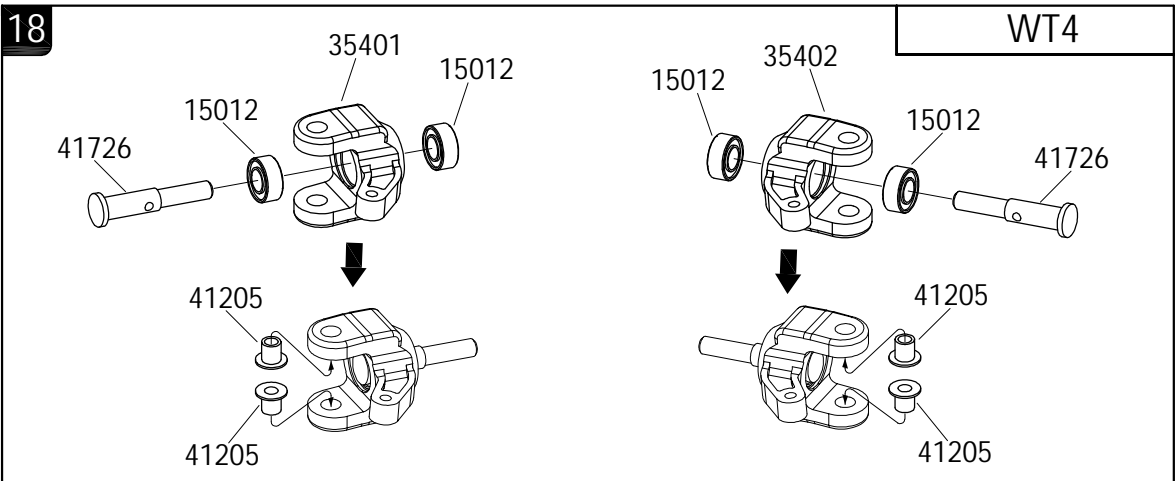
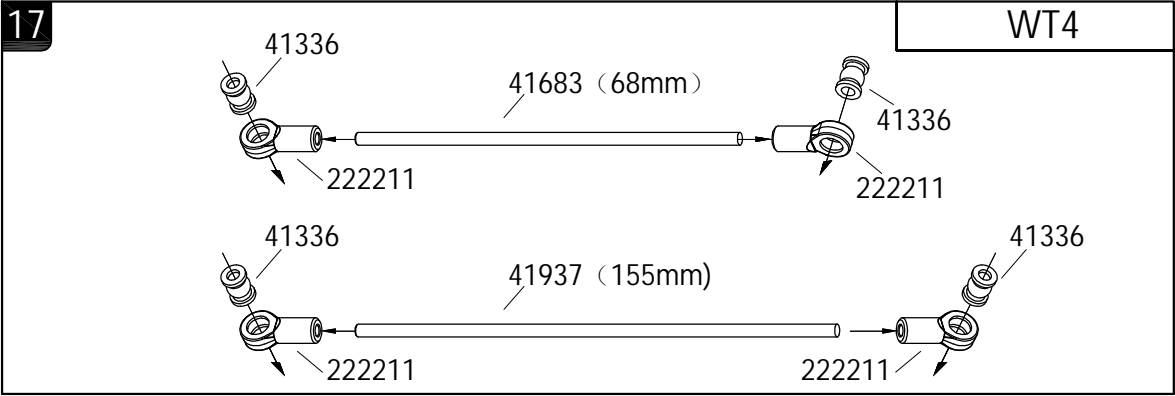
14

WT4

11802  ST1.4X4 X6

 94013X3





20

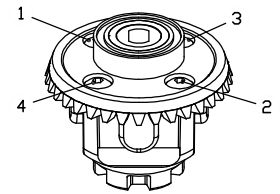
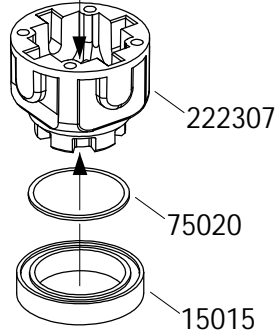
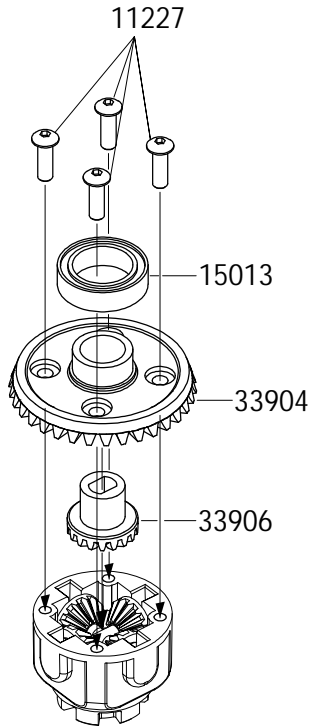
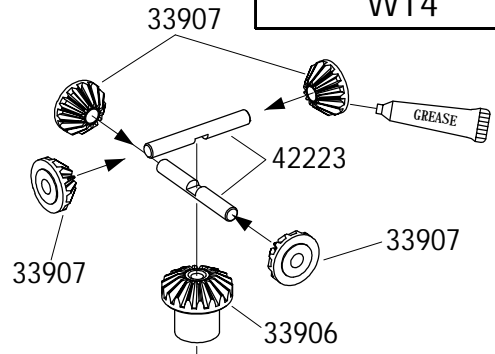
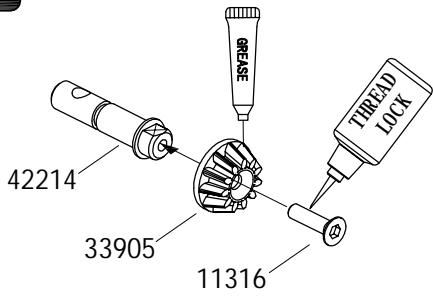
WT4

11316 M2.5x10 X1
11227 M2.5x8 X4

15015
φ15xφ21x4 X1

15013
φ10xφ15x4 X1

75020
φ15xφ18x0.2 X1



Repeat tightening in this order

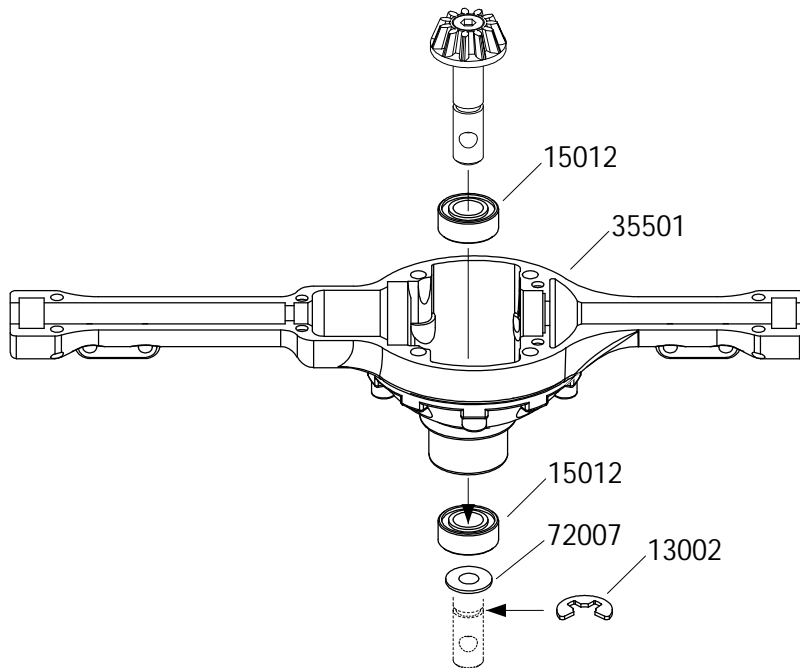
21

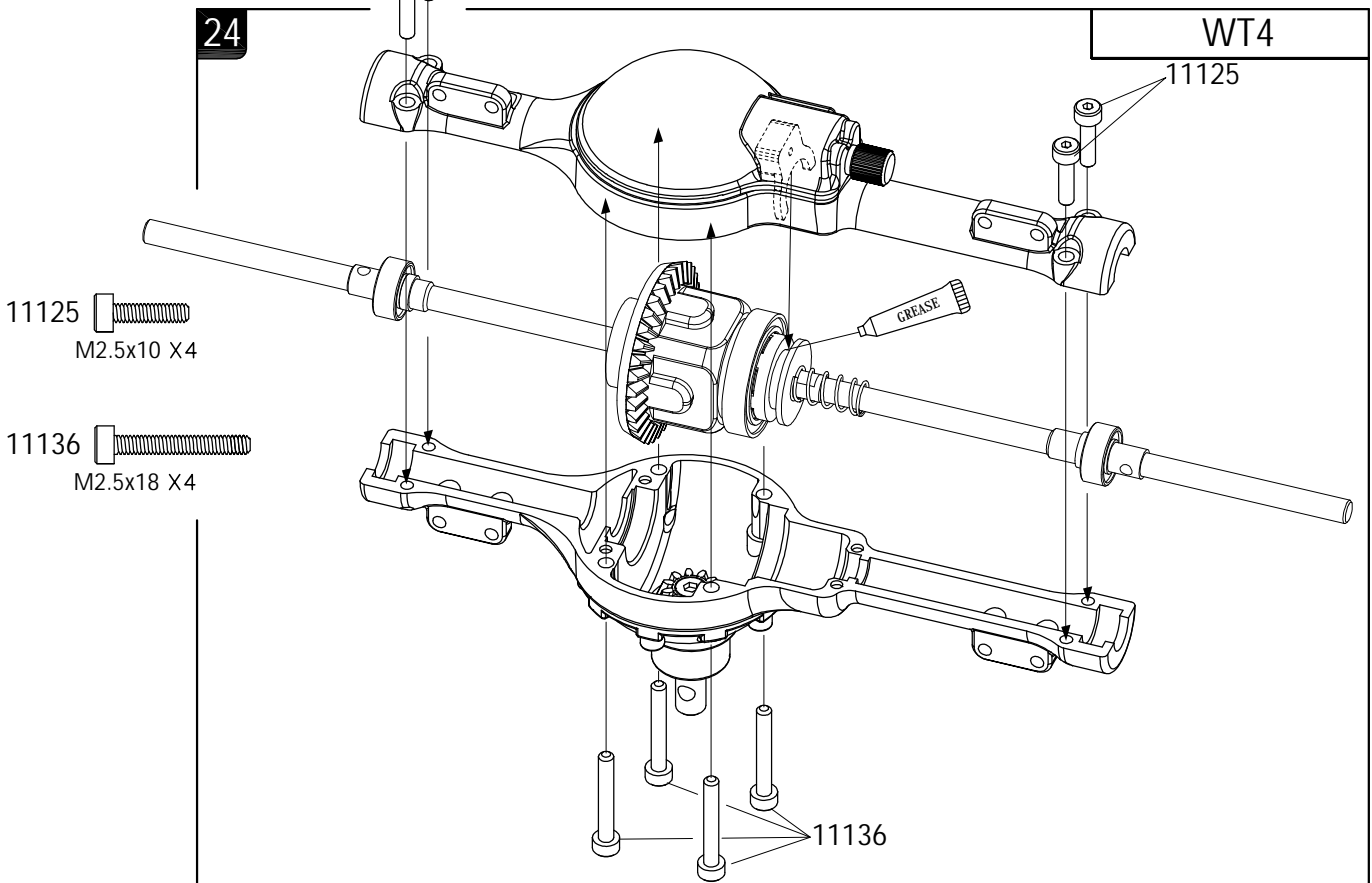
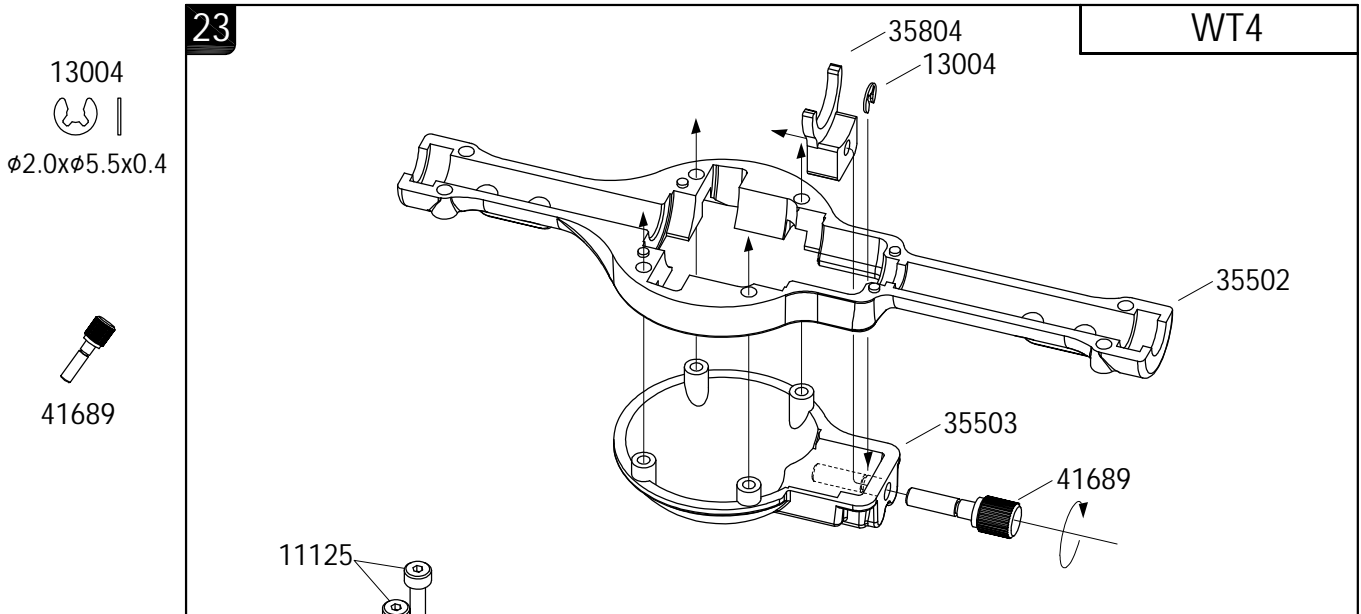
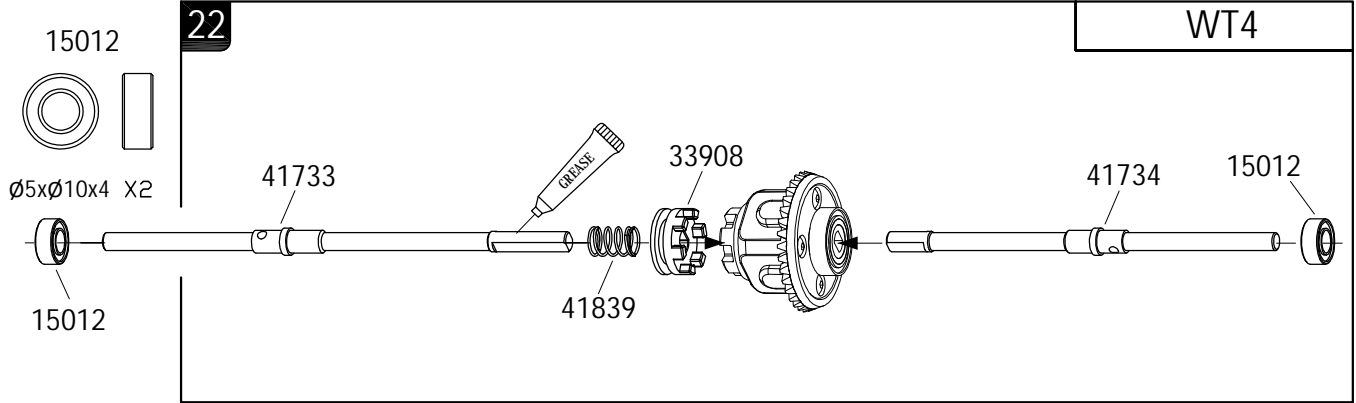
WT4

15012
φ5xφ10x4 X2

13002
φ3.8xφ9.2x0.6 X1

72007
φ5xφ8x0.3 X1




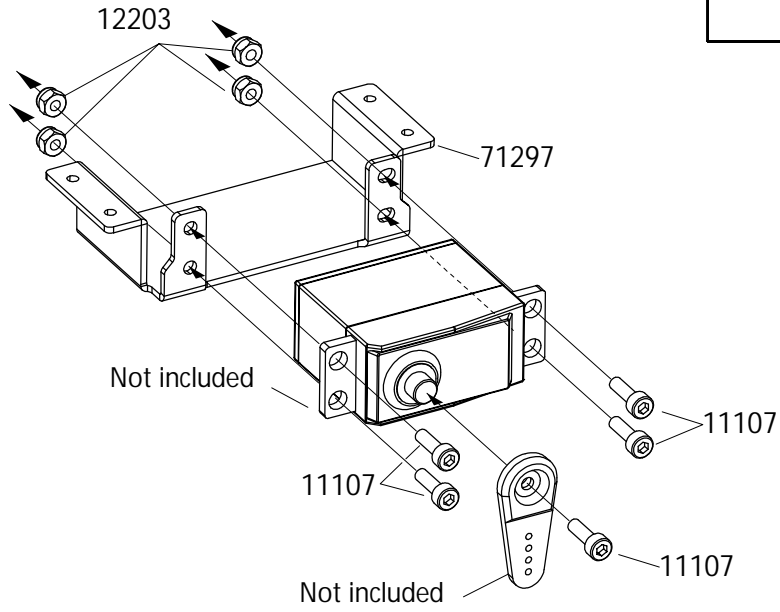


25

WT4

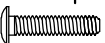
11107  M3x10 X5


12203  M3 X4

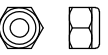


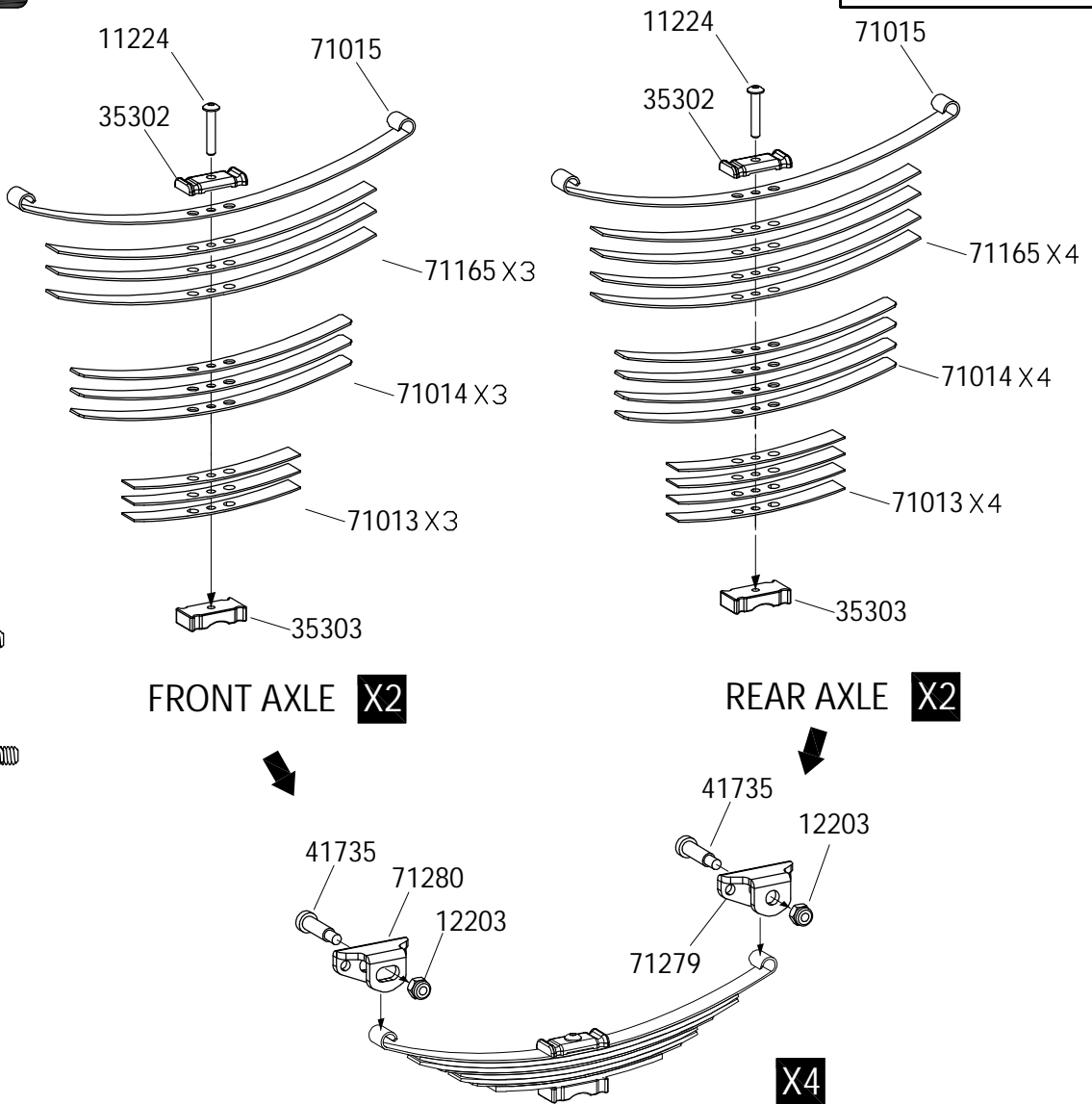
26

WT4

11228  M2.5x12X4

11224  M2.5x14X4

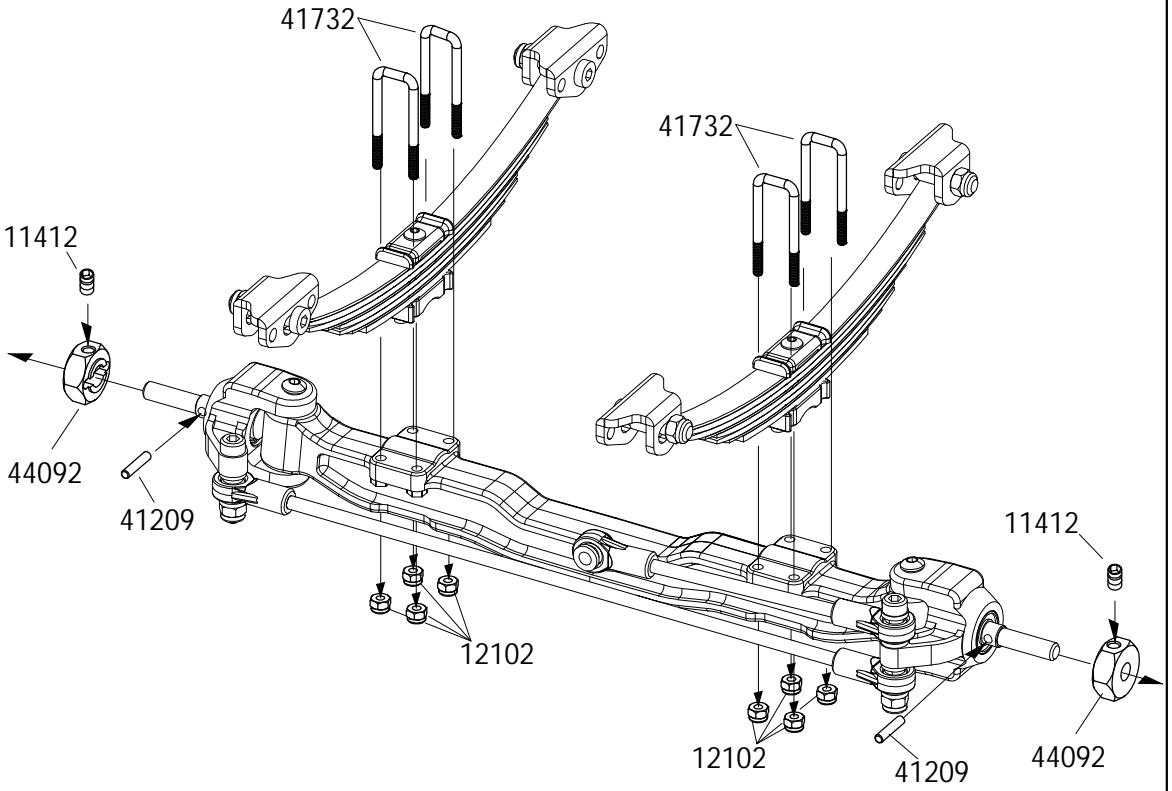
12203  M3 X8



27

WT4

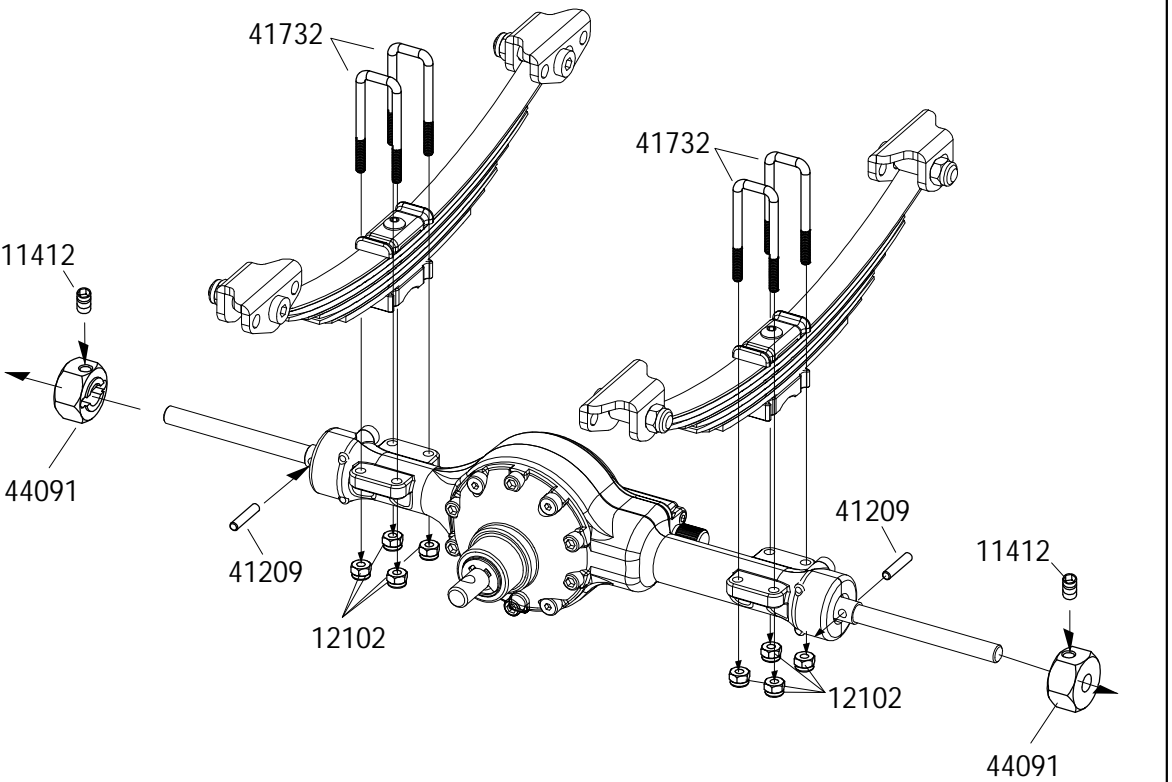
- 12206  
M2 X8
- 11412 
M3x3 X2



28


WT4


- 12206  
M2 X8
- 11412 
M3x3 X2

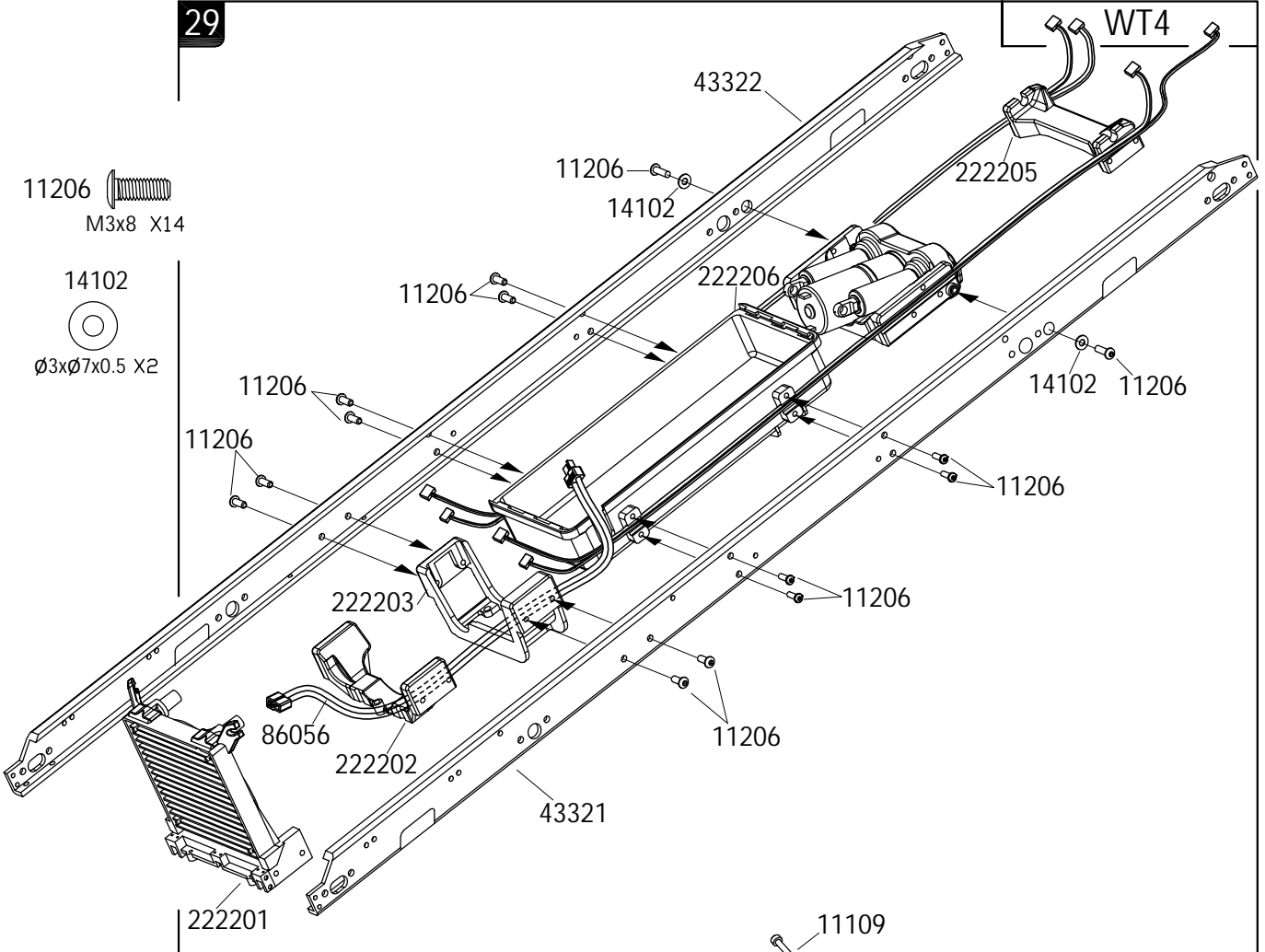


29

WT4


11206 
M3x8 X14


14102 
Ø3xØ7x0.5 X2

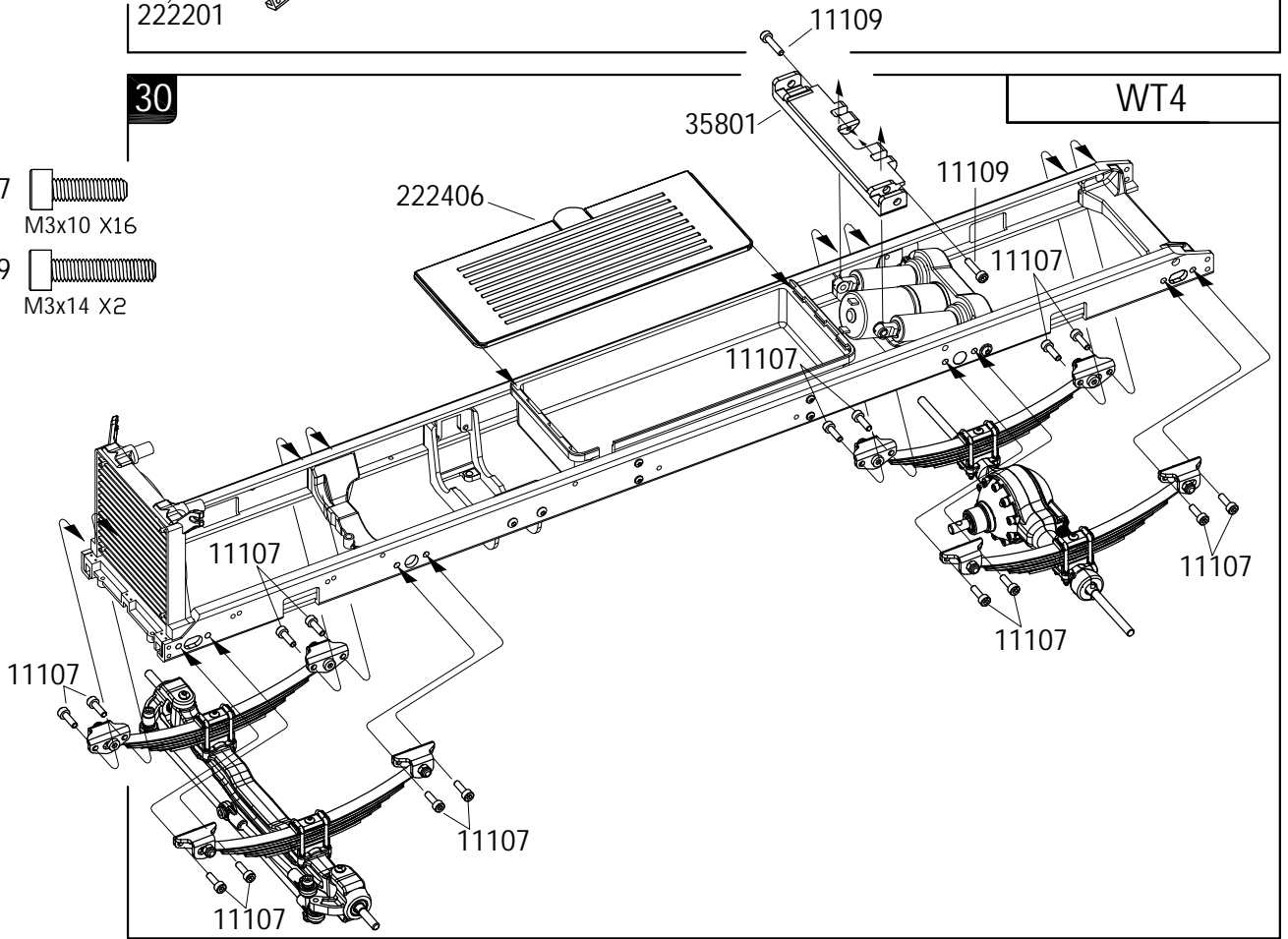


30

WT4

11107 
M3x10 X16

11109 
M3x14 X2



31

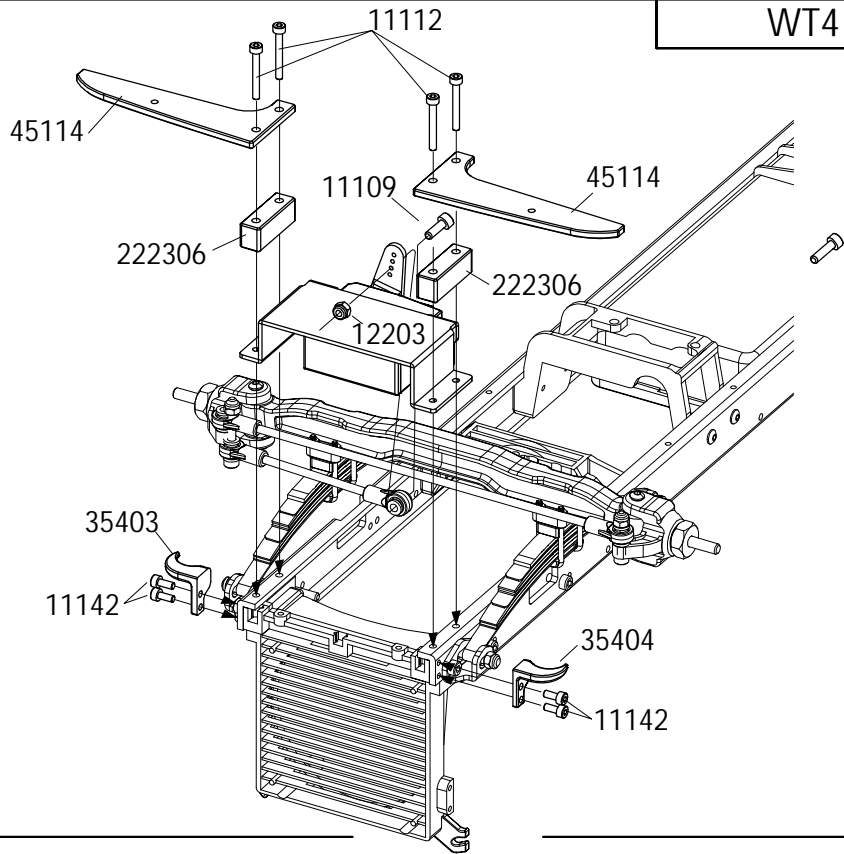
WT4

11112 M3x20 X8

11109 M3x14 X1

12203 M3 X1

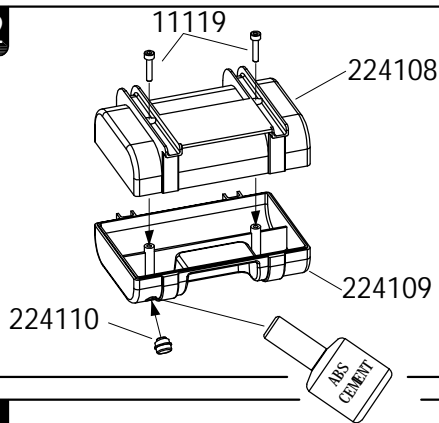
11142 M2.5x6 X4



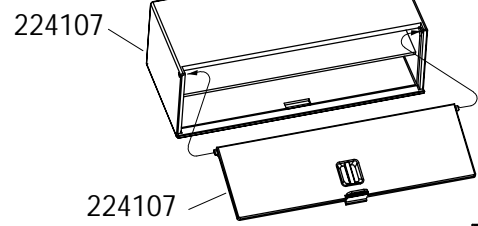
32

33

11119 M2.5x16 X4



X2



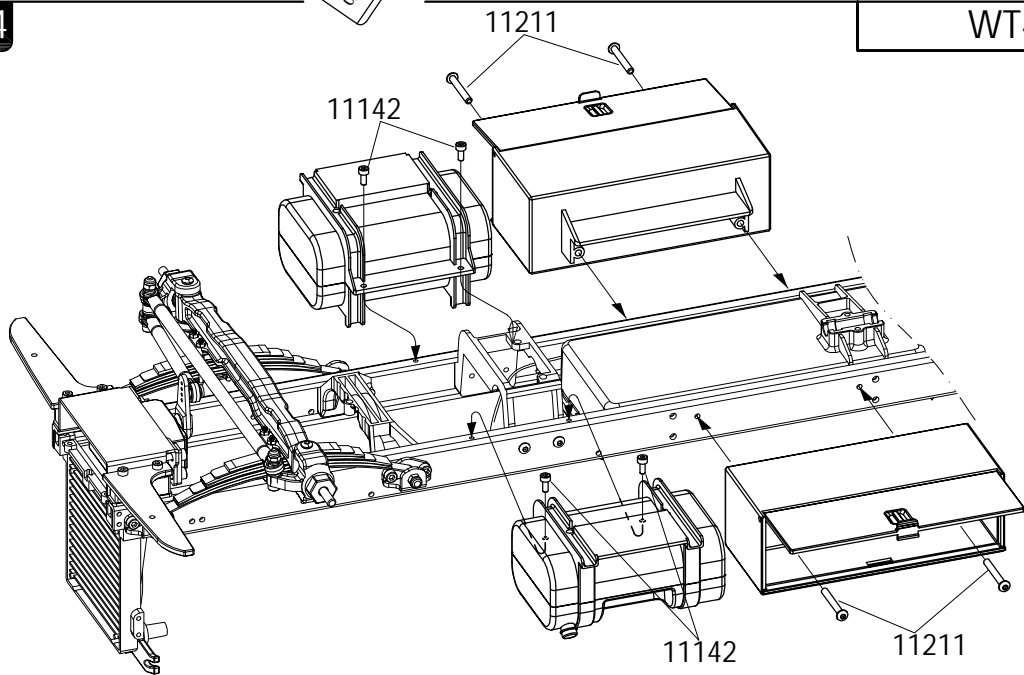
X2

34

WT4

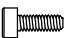
11142 M2.5x6 X4


11211 M3x18 X4

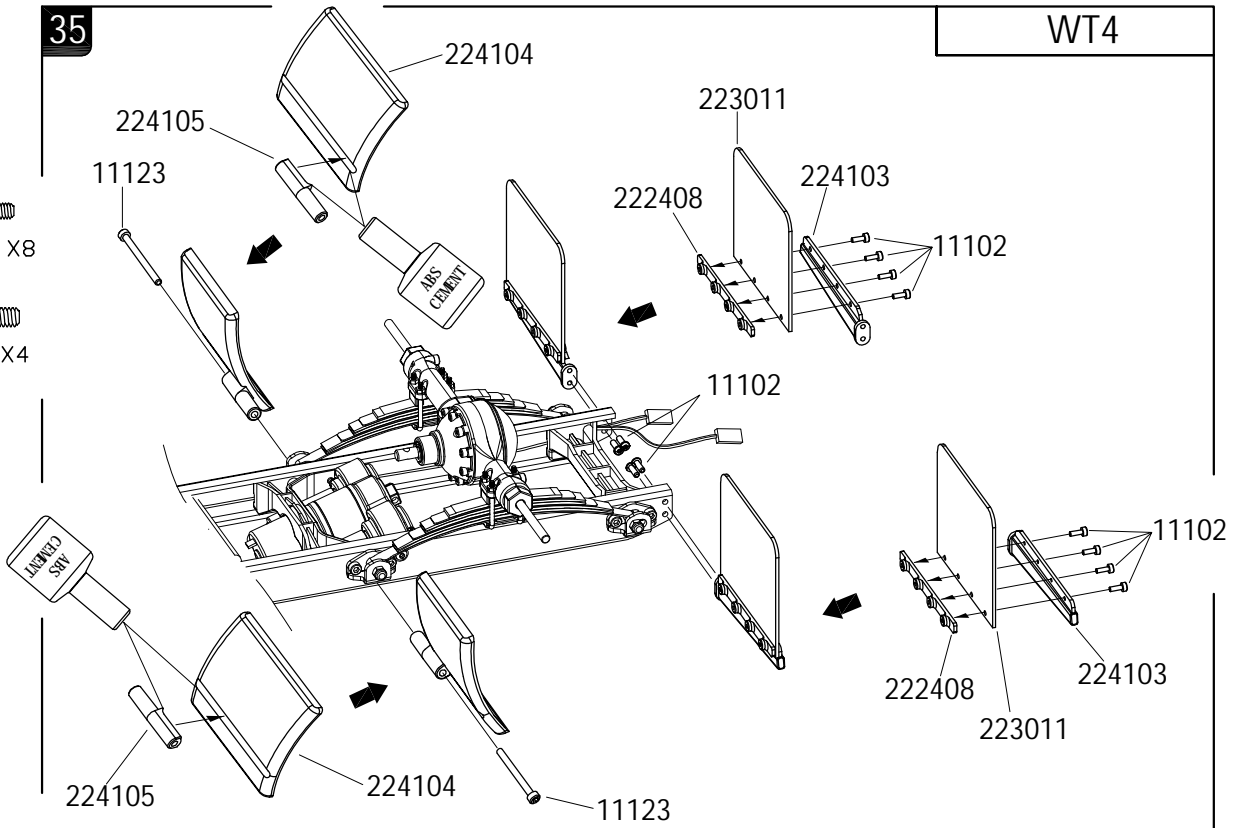


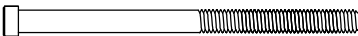
35

WT4

11102  M2x6 X8


11227  M2.5x8 X4




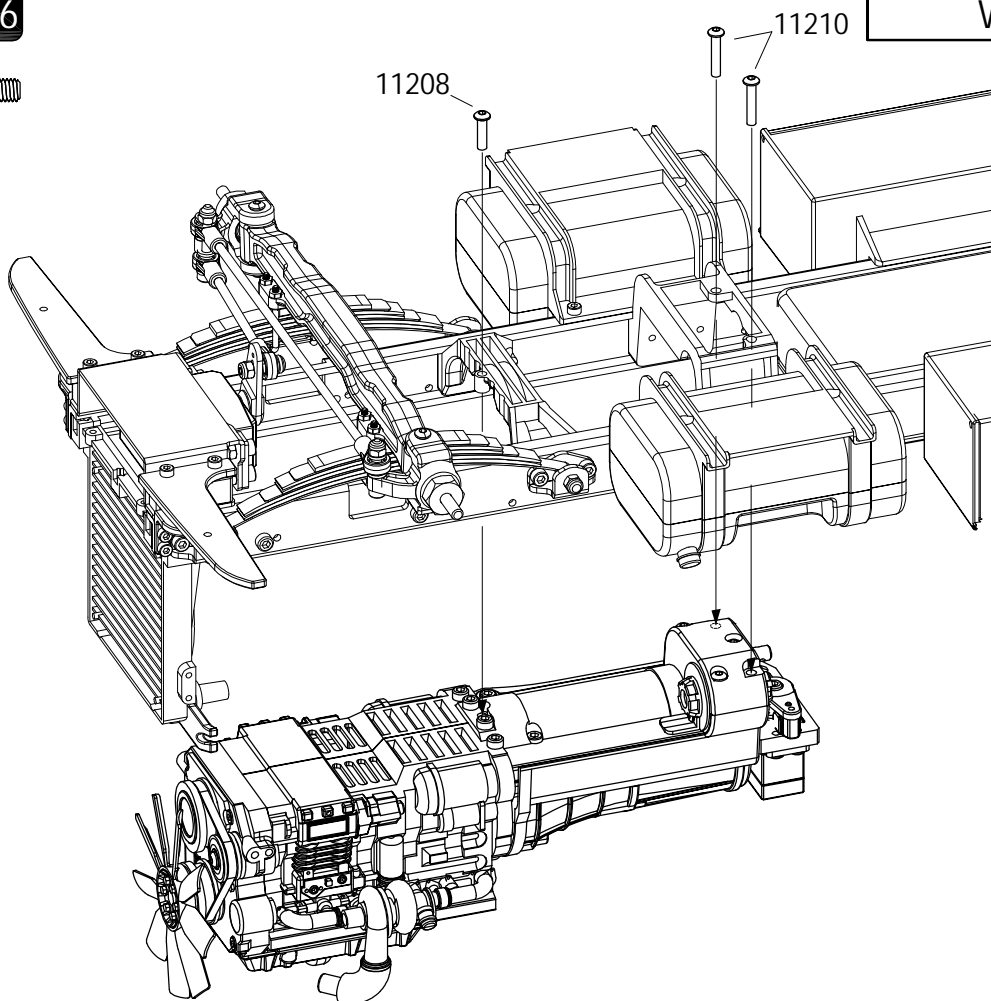
11123  M3x45 X2

36

WT4

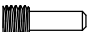
11210  M3x16 X2


11208  M3x12 X1

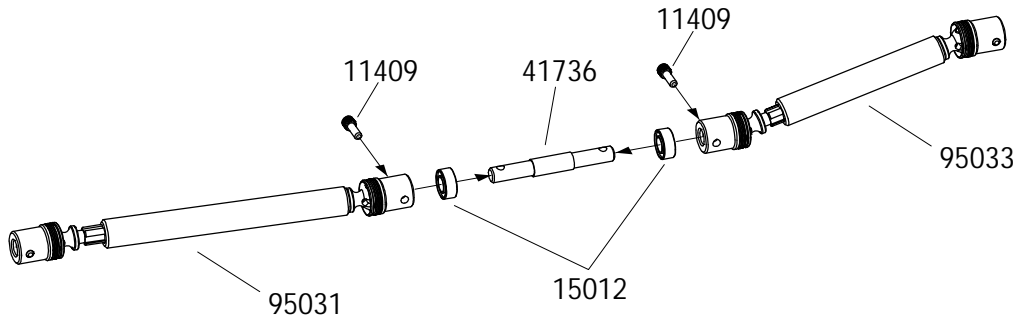


37

WT4

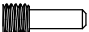
11409 
M4x11 X2

15012 
Ø5xØ10x4 X2

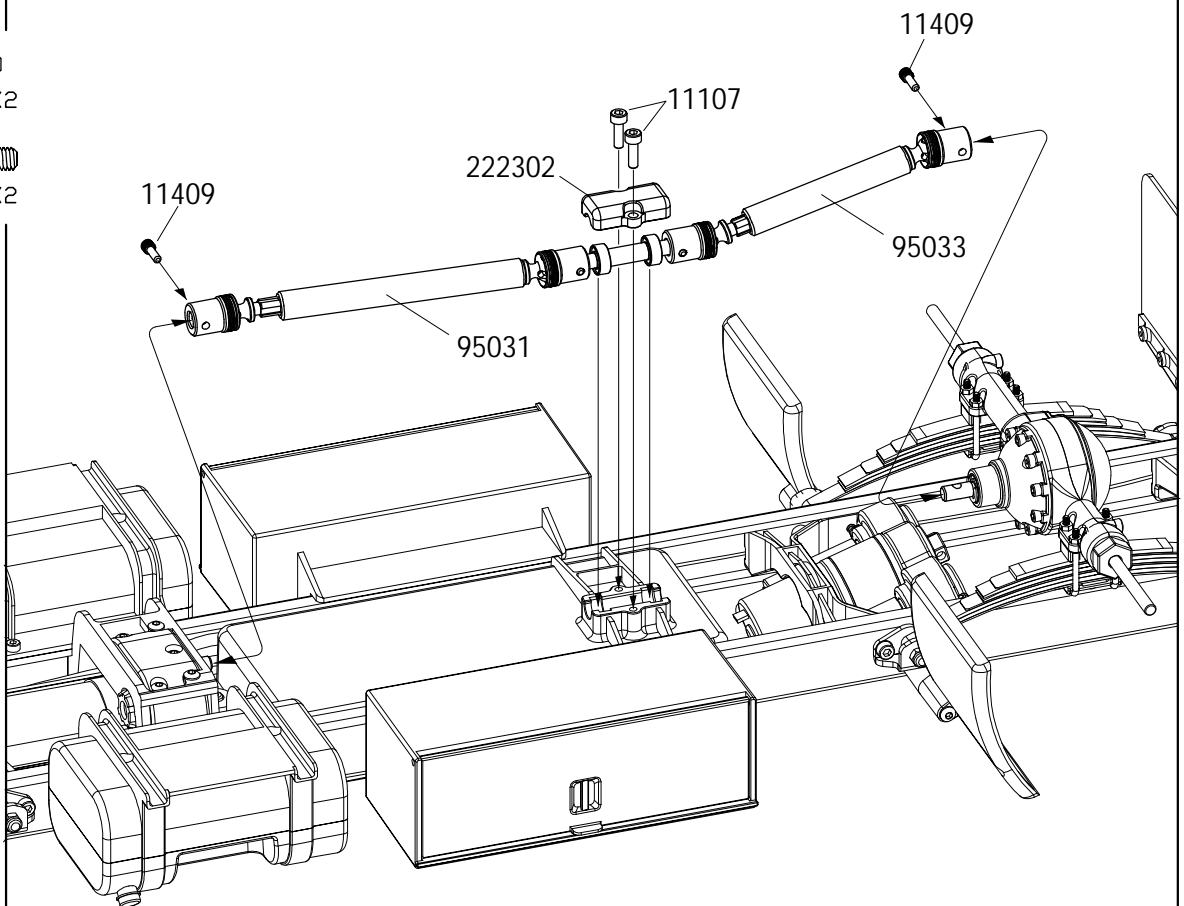


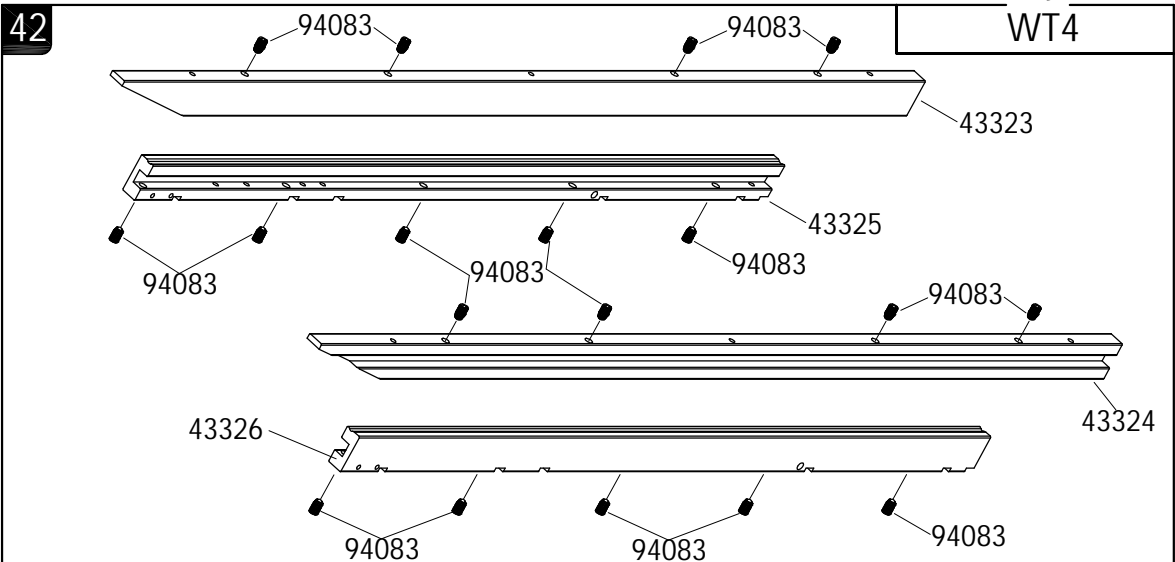
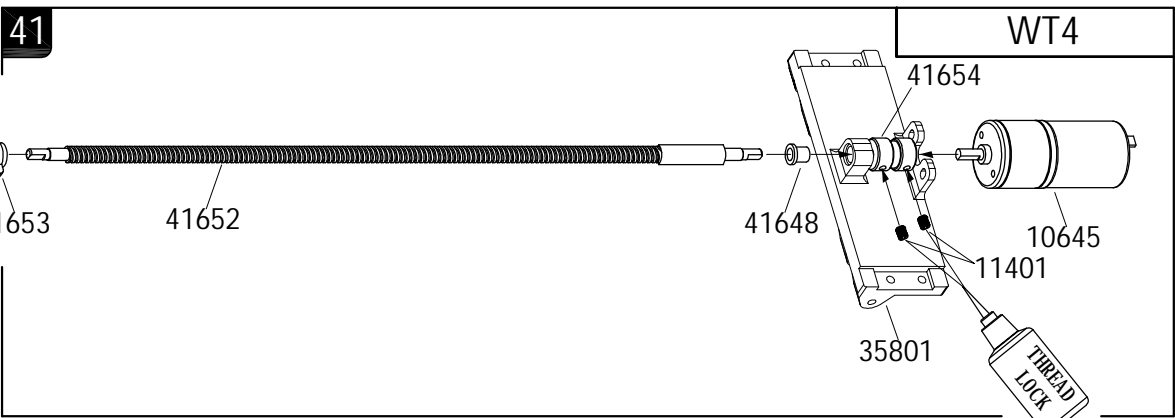
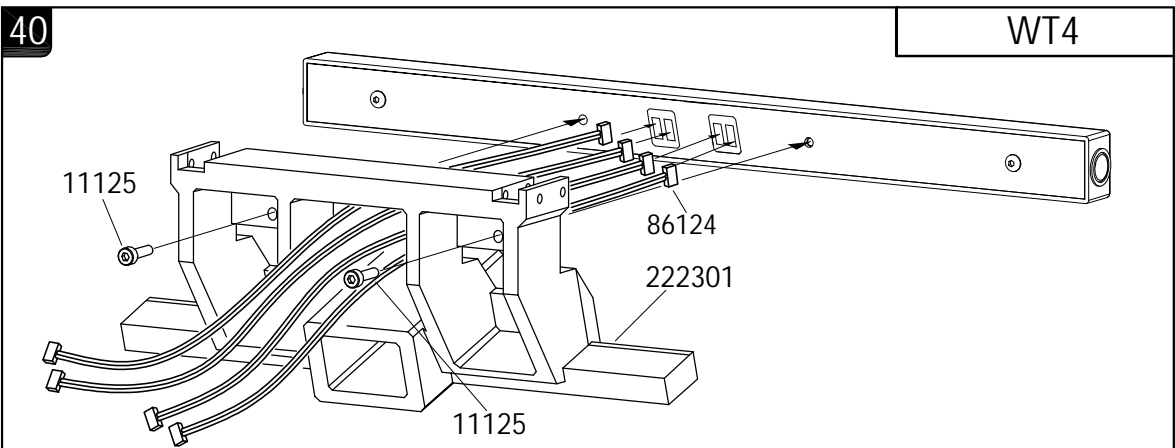
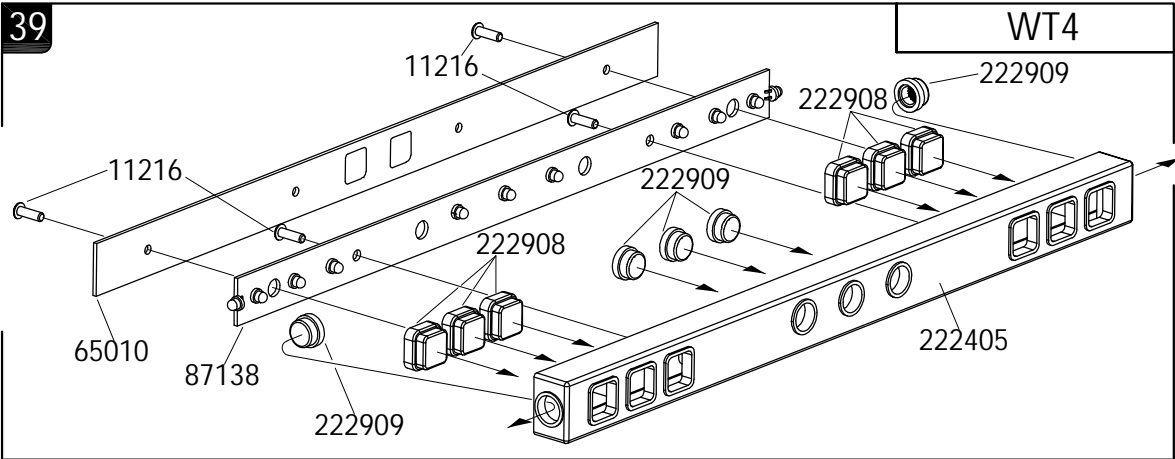
38

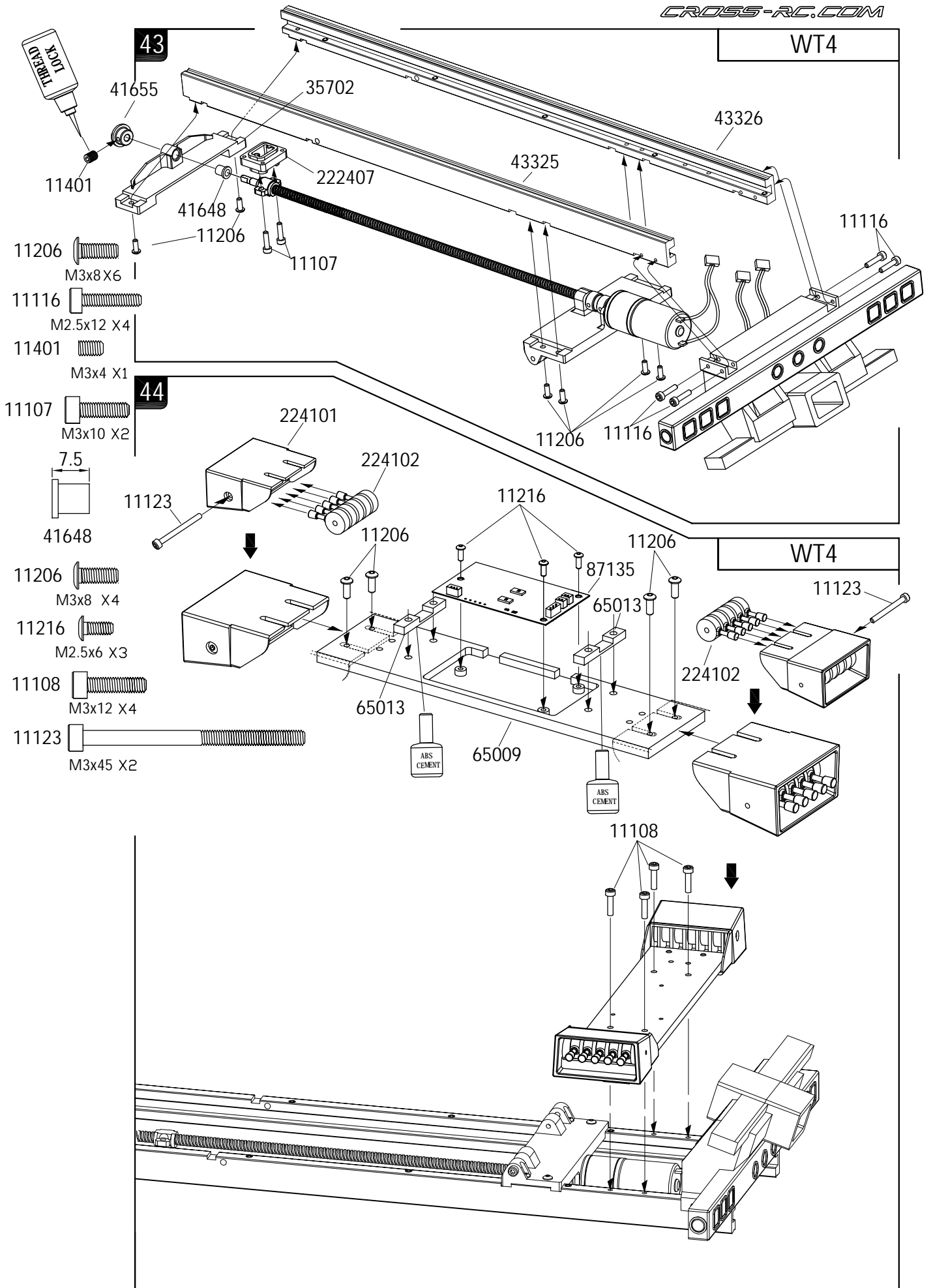
WT4

11409 
M4x11 X2

11107 
M3x10 X2









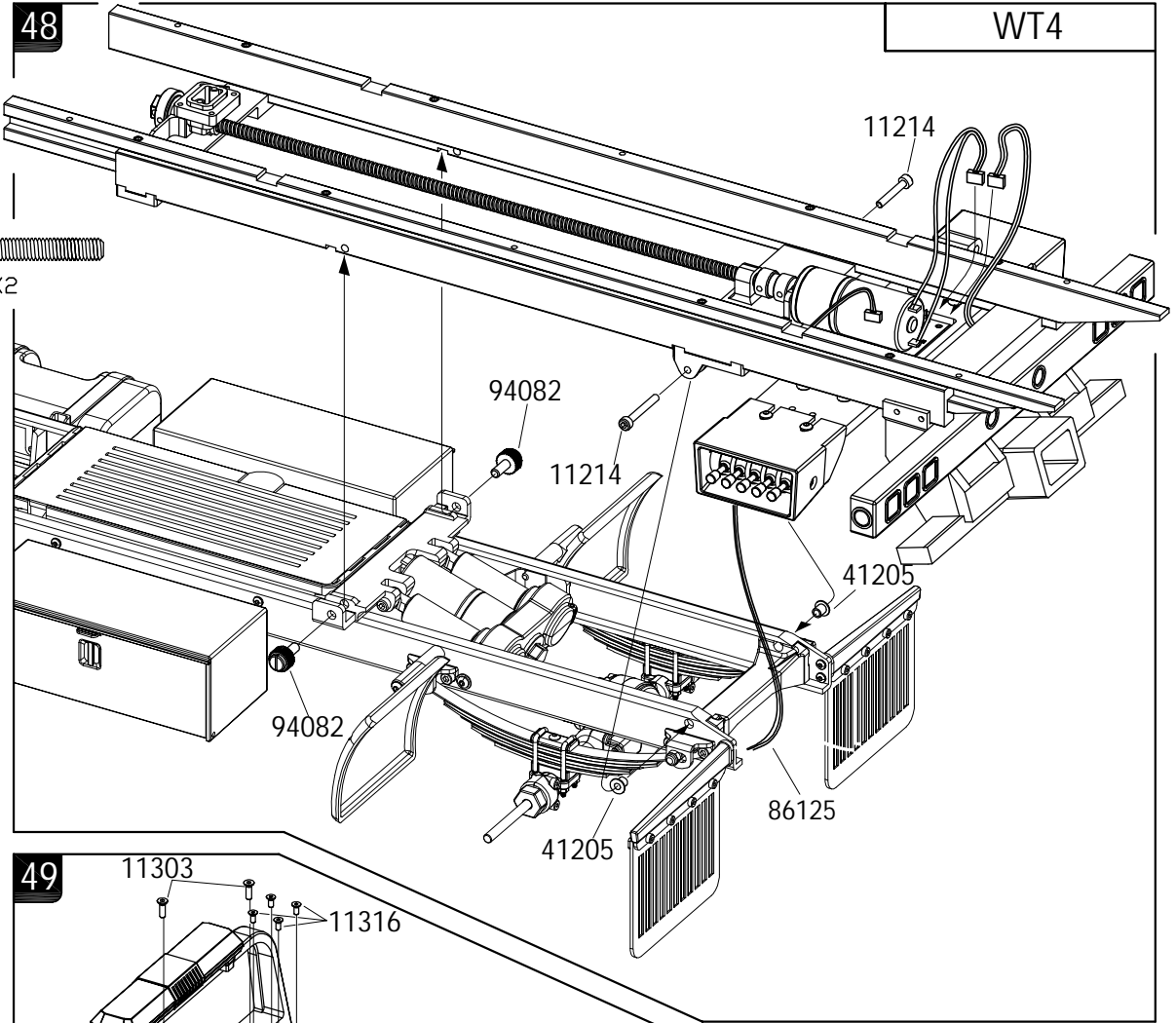
48

WT4

11114 
M3x25 X2


94082 
M4x10 X2

41205 x2 

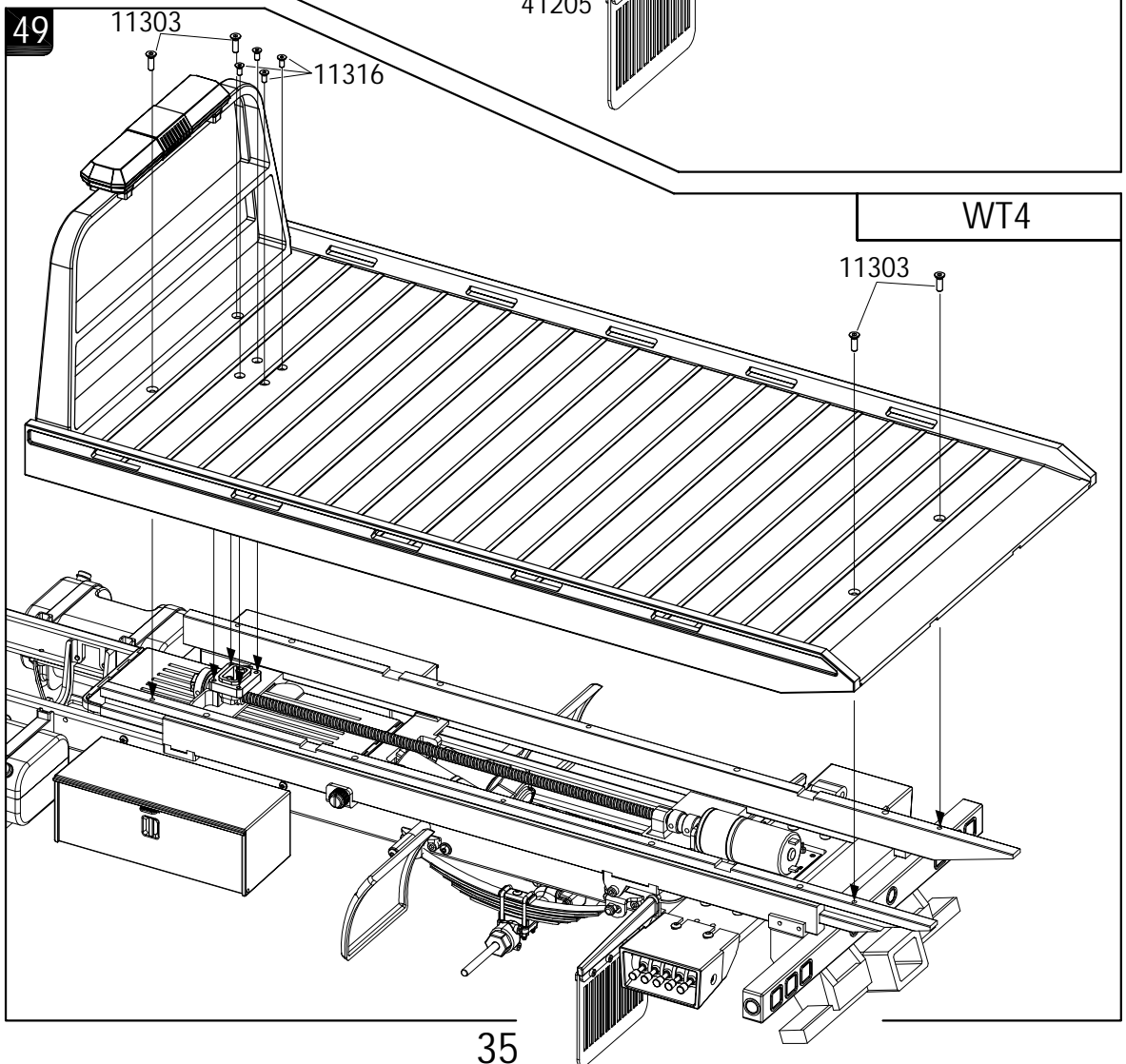


49

WT4

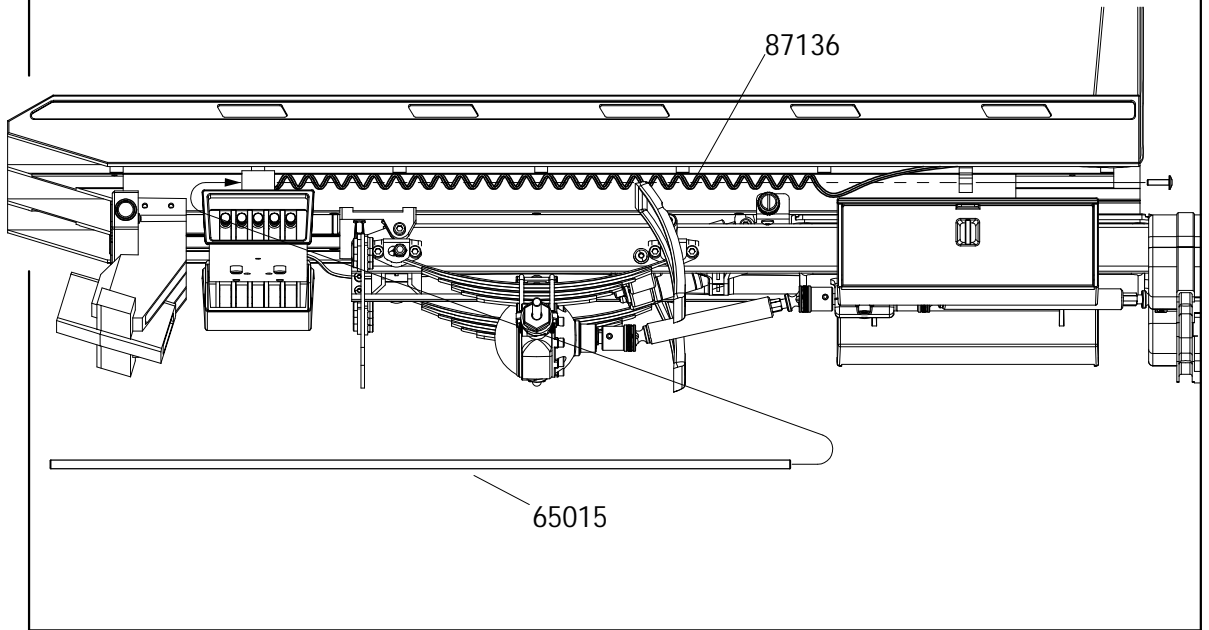
11316 
M2.5x10 X4

11303 
M3x8 X4



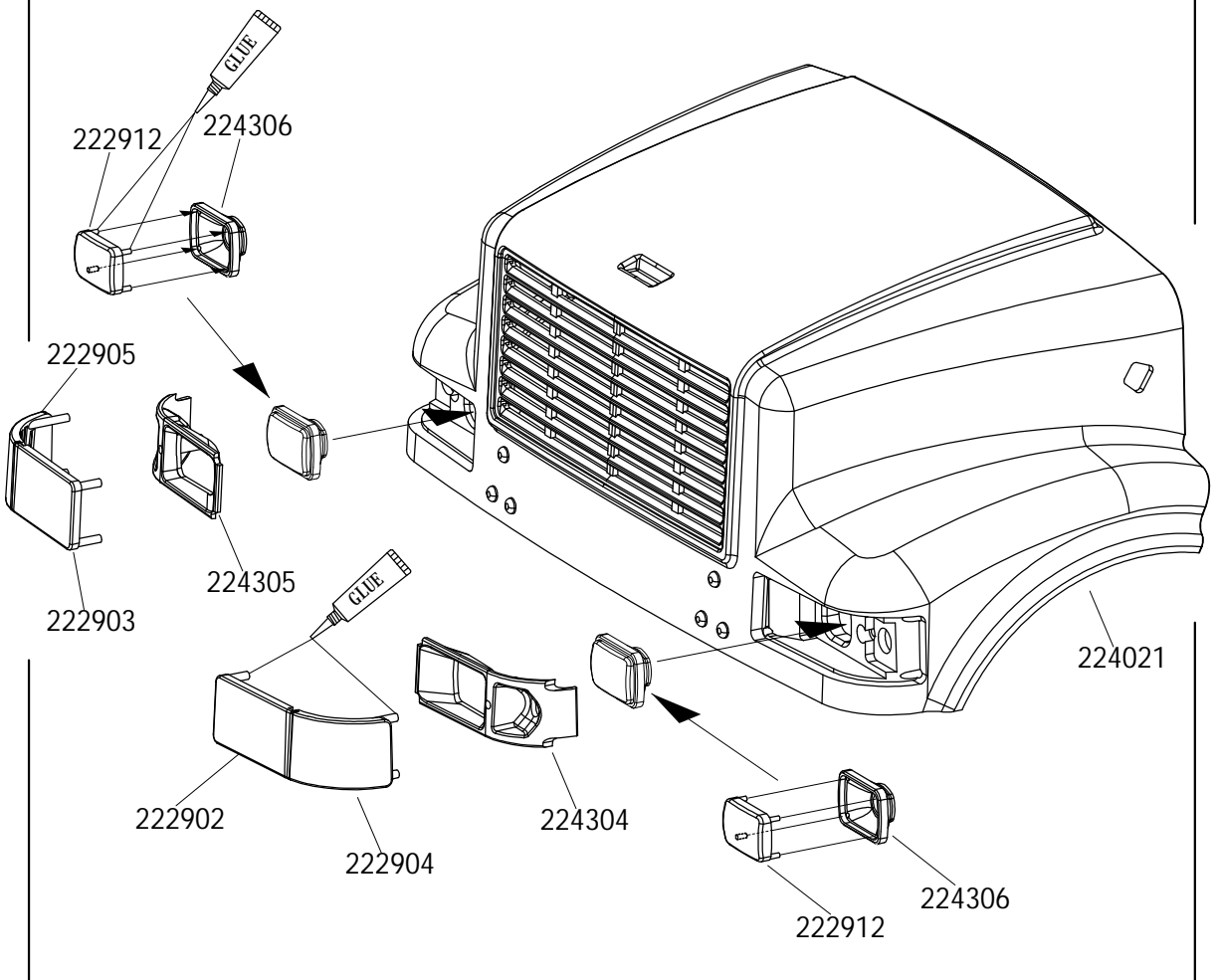
50

WT4



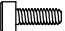
51

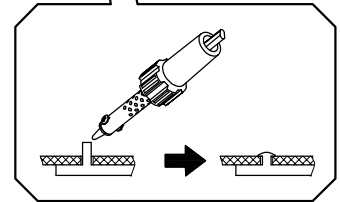
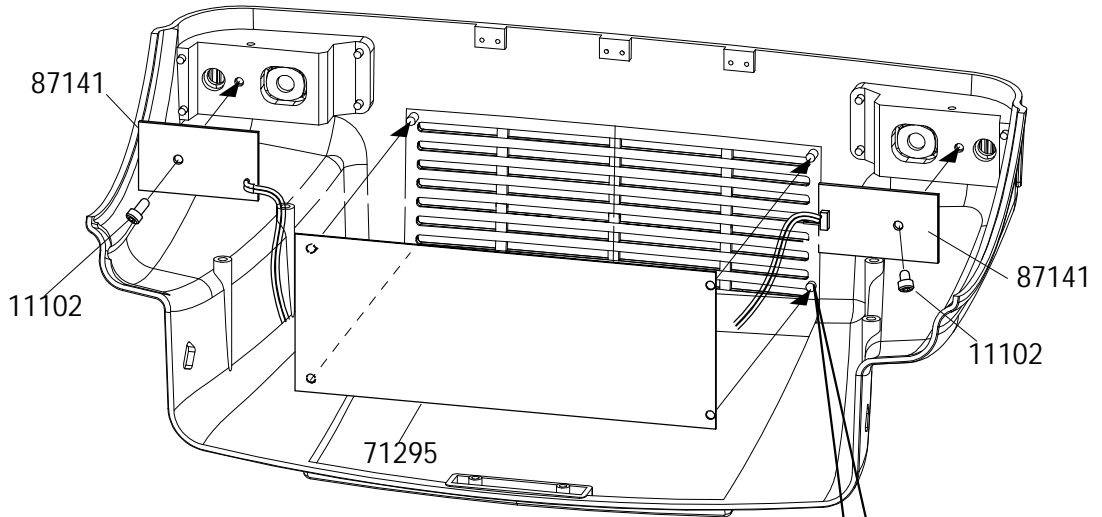
WT4



52


WT4

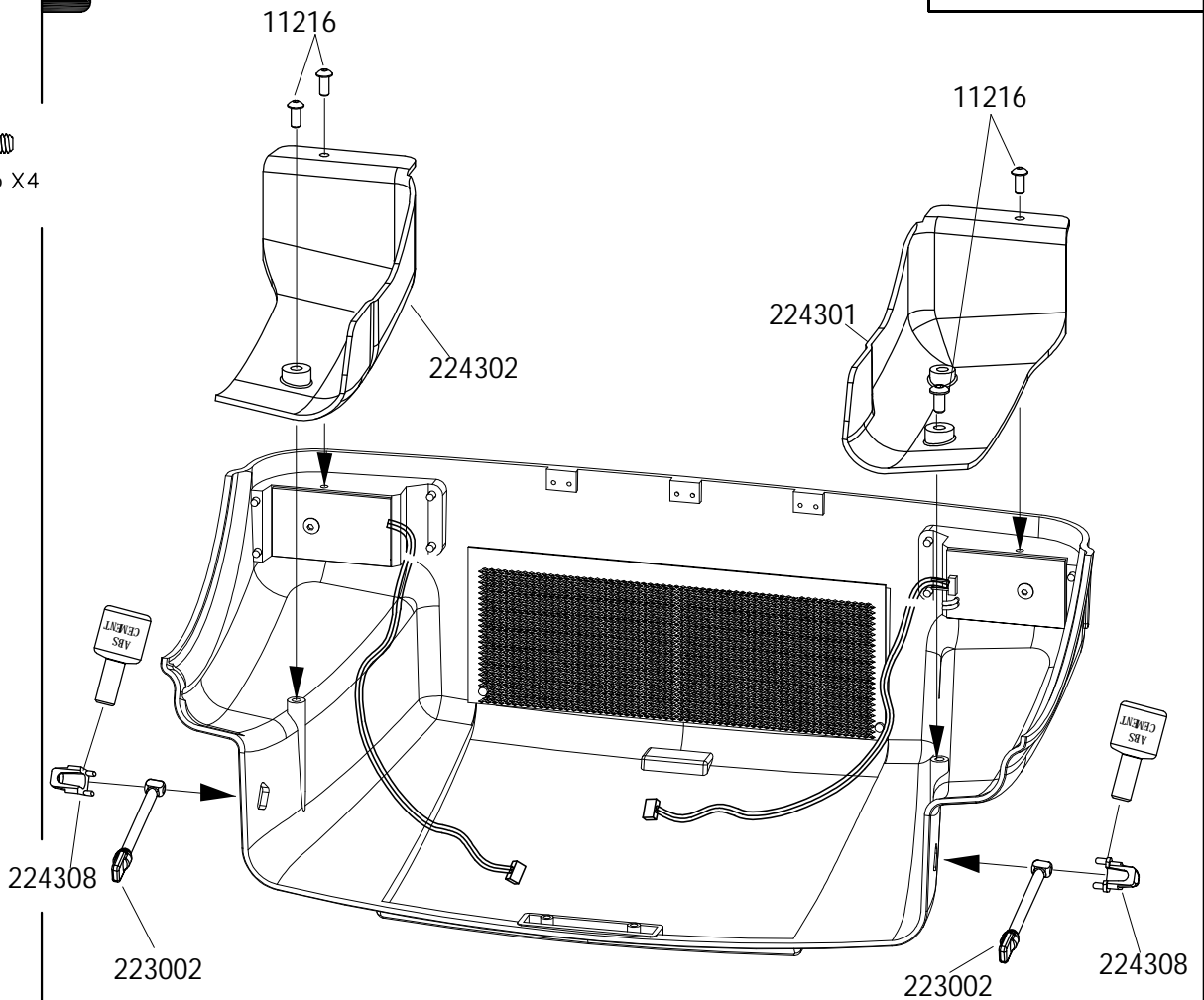
11102  M2x6 X2



53


WT4

11216  M2.5x6 X4

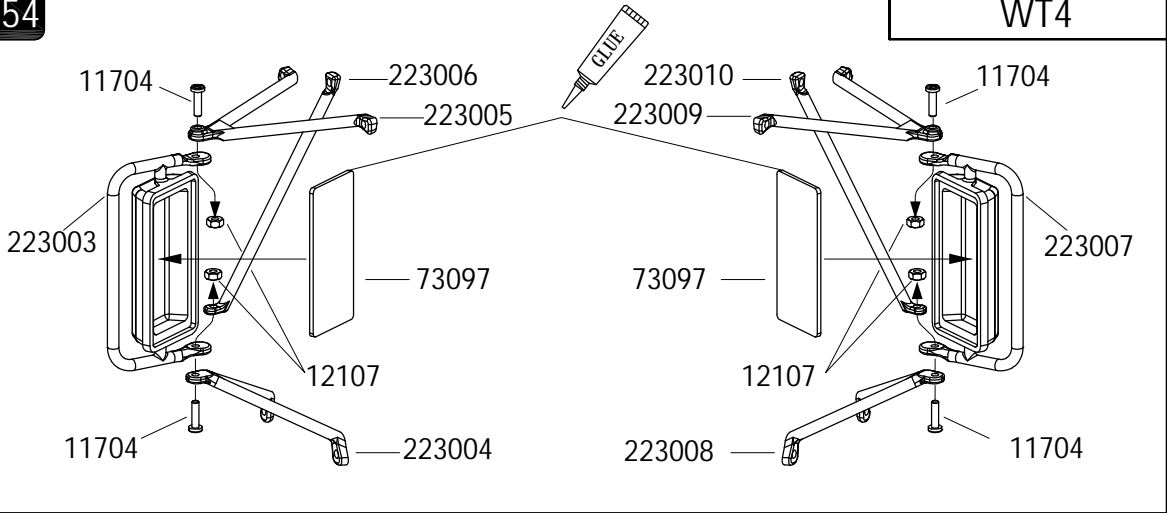


54

WT4


11704 
M1.6x6 X4


12107 
M1.6 X4




55

WT4

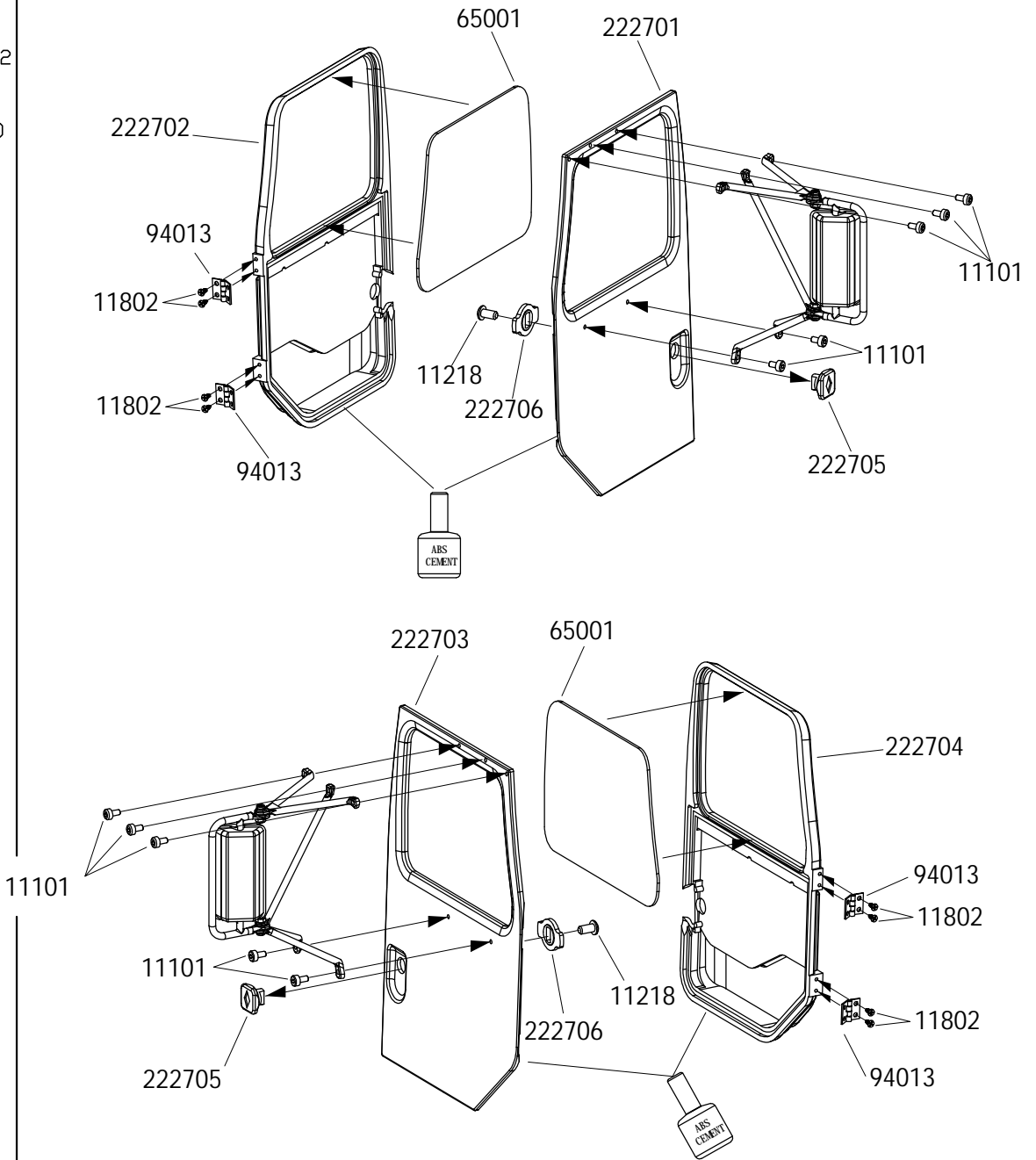
11218 
M2.5x4 X2

11101 
M2x4 X10

11802 
ST1.4X4X8

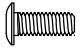


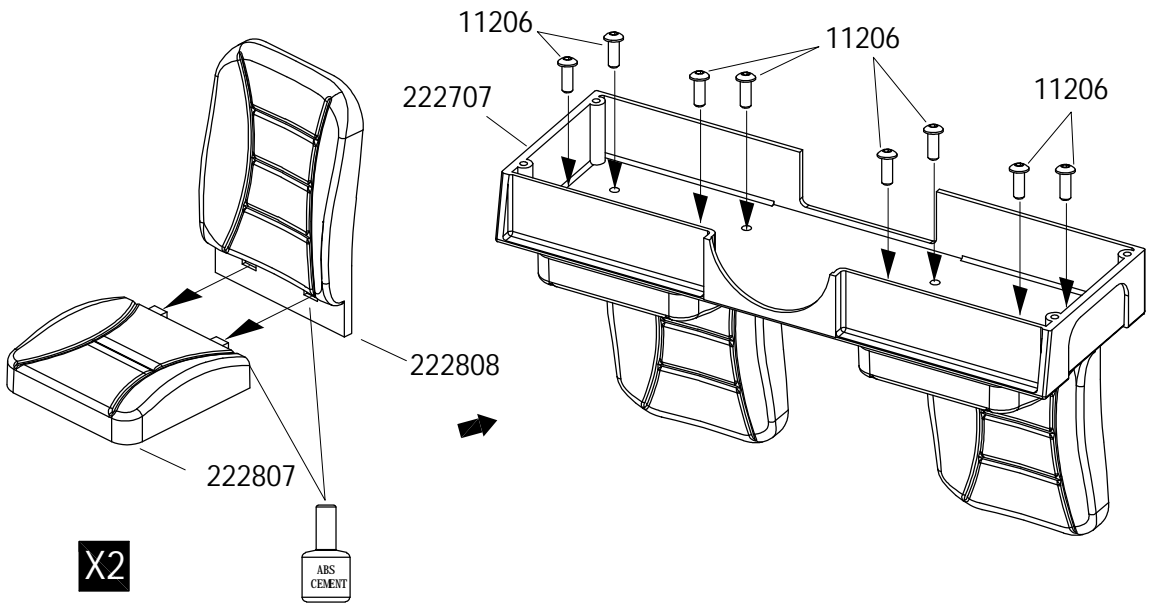
94013X4



56

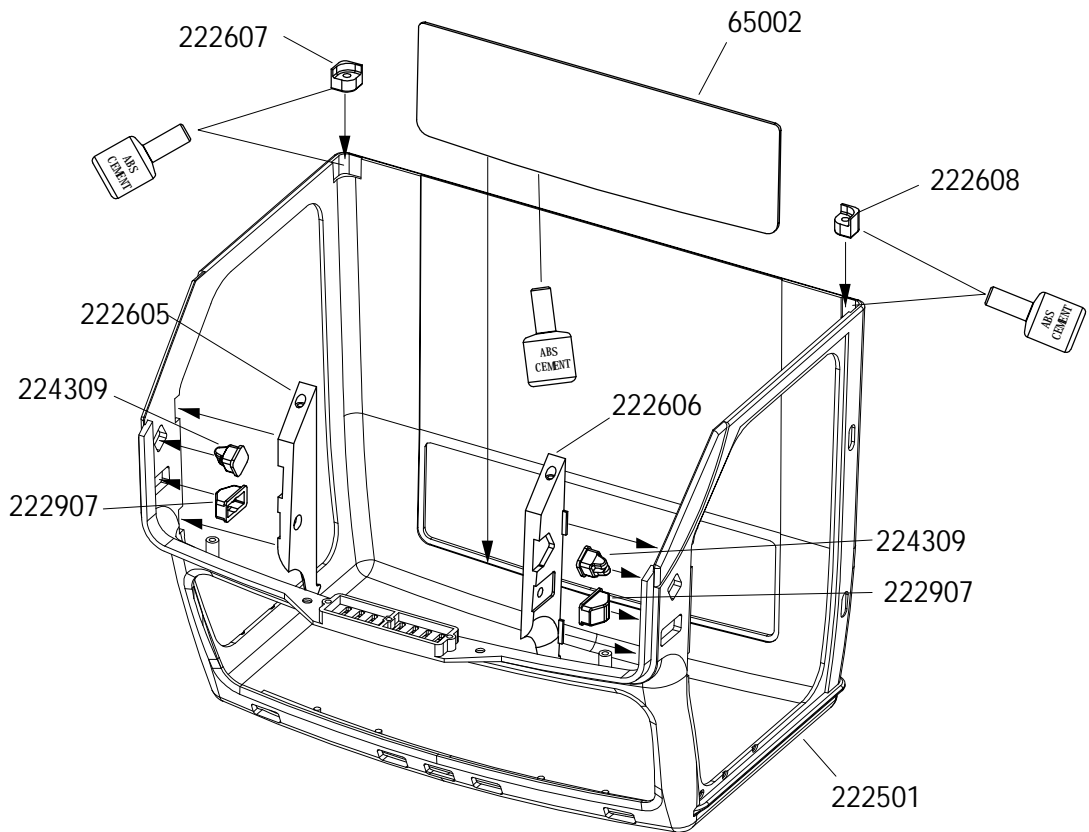
WT4

11206 
M3x8 X8




57

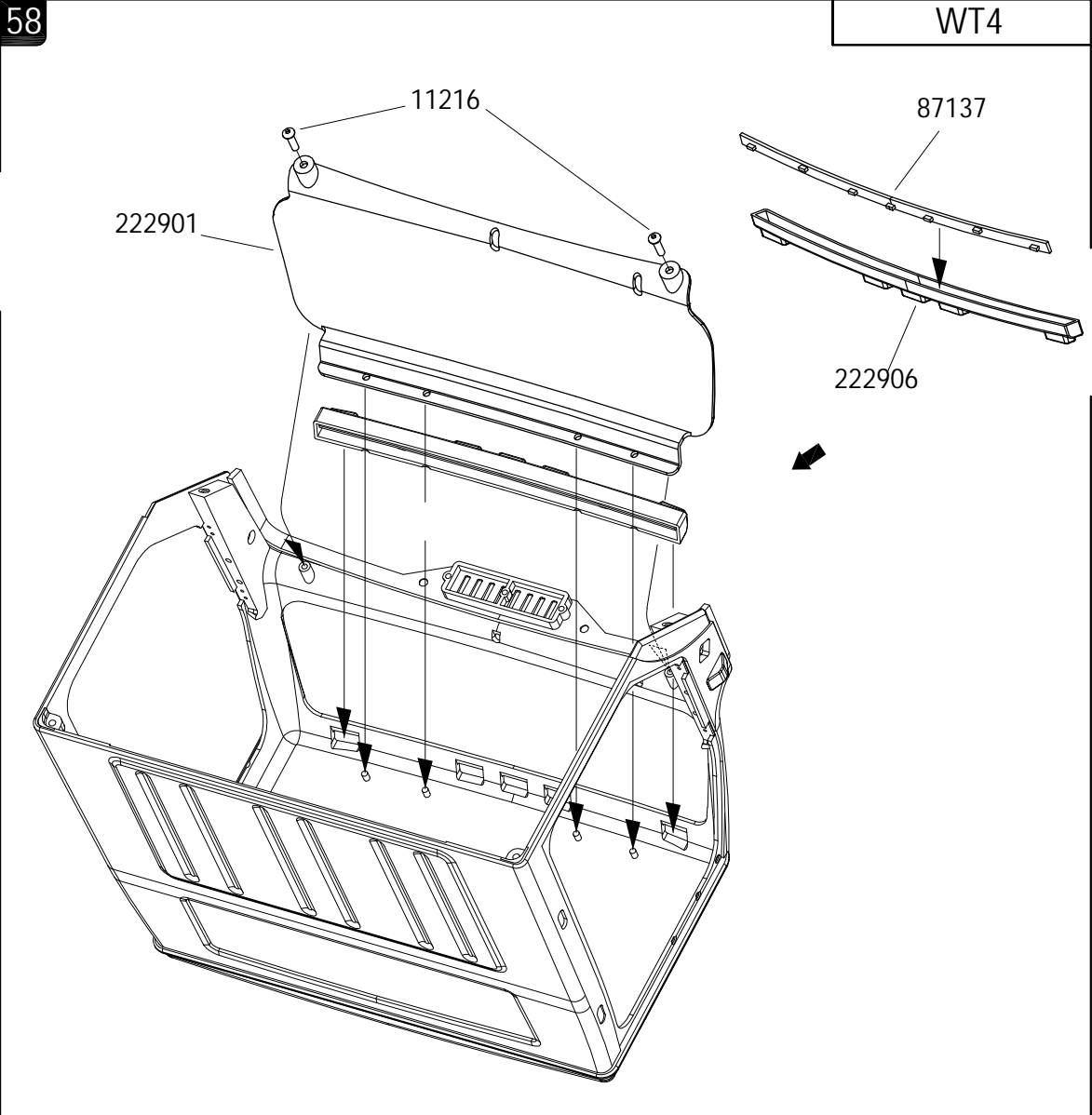
WT4



58


WT4

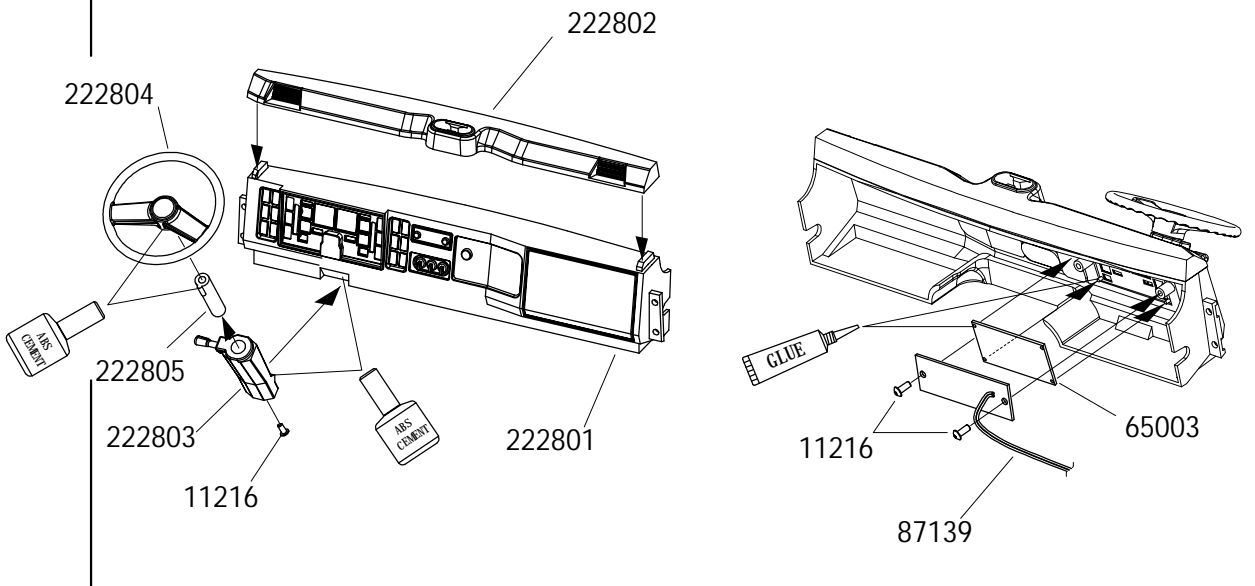
11216 
M2.5x6 X2




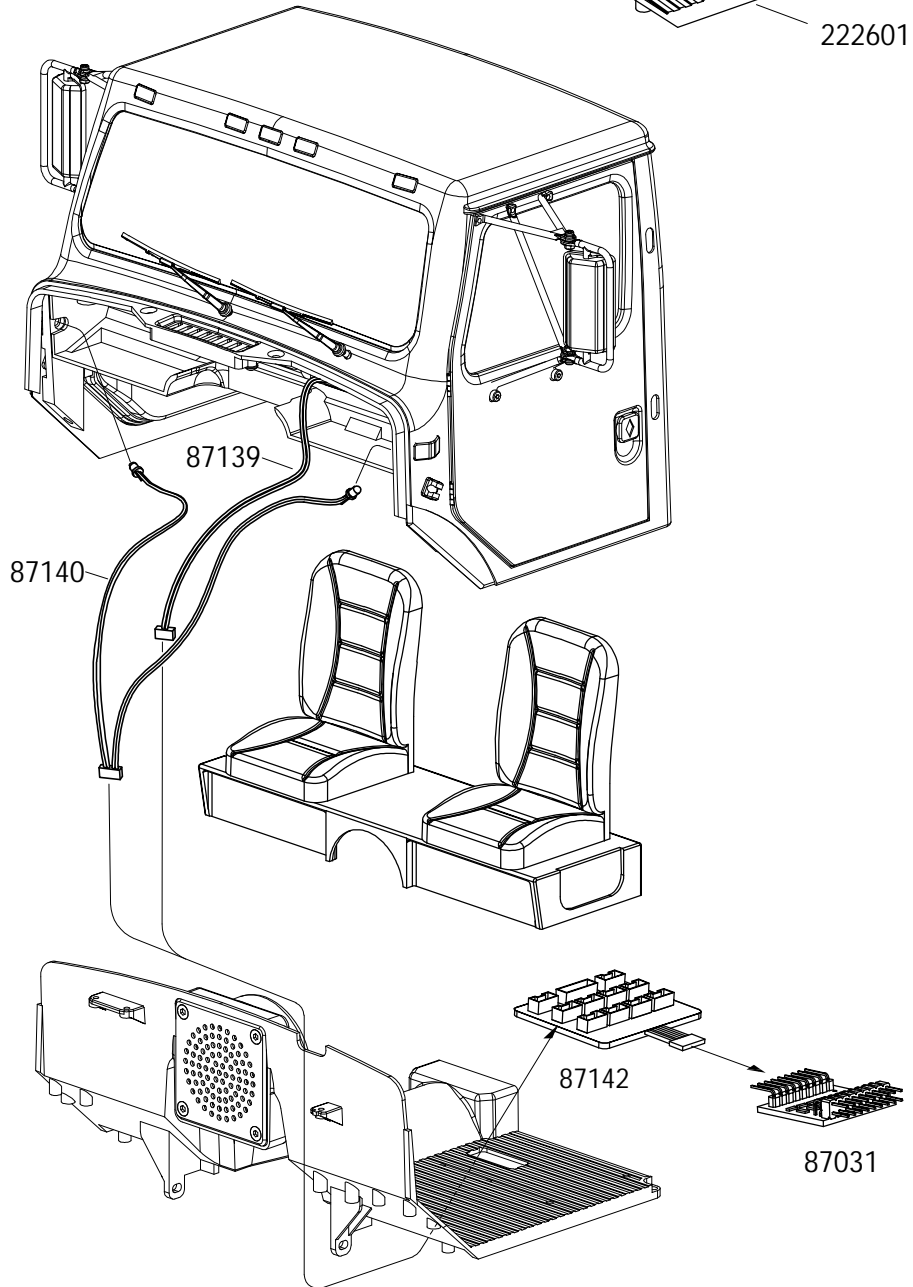
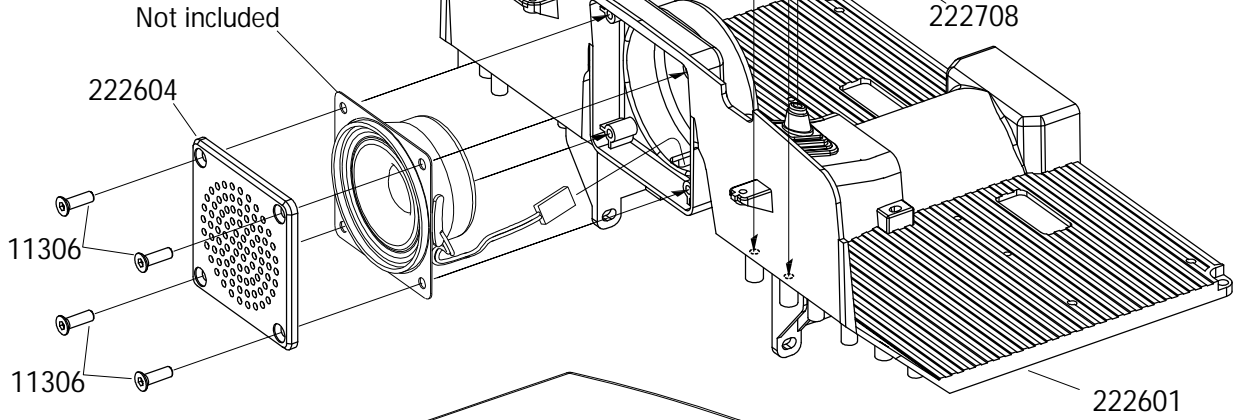
59

WT4

11216 
M2.5x6 X3



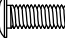


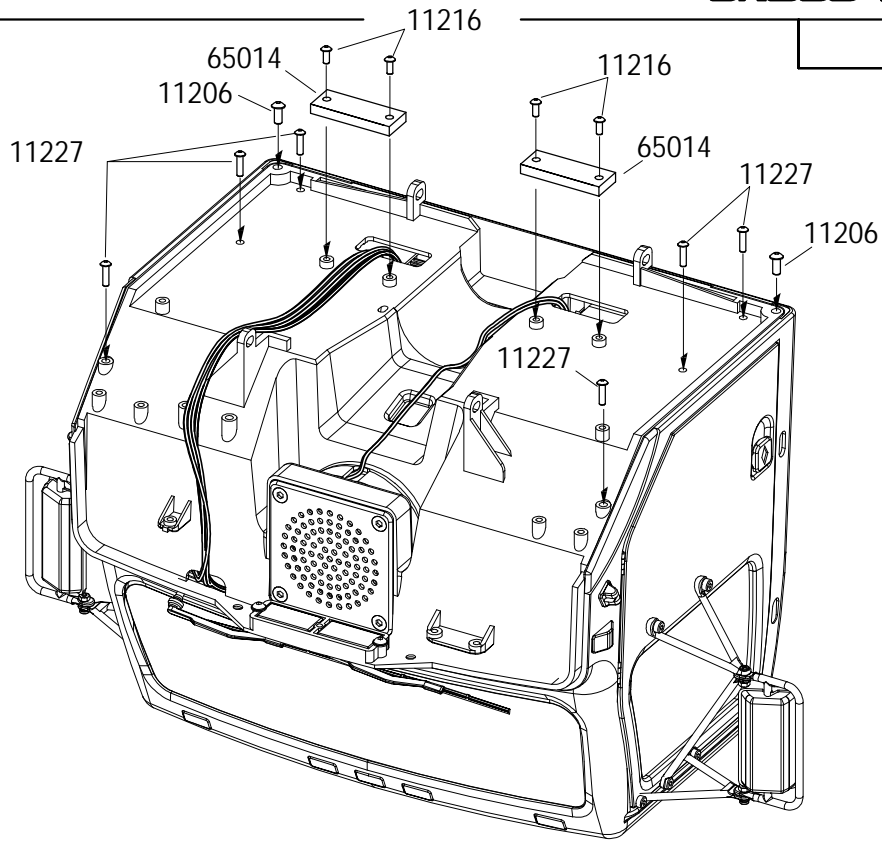
11306 
M3x10 X4



63


WT4

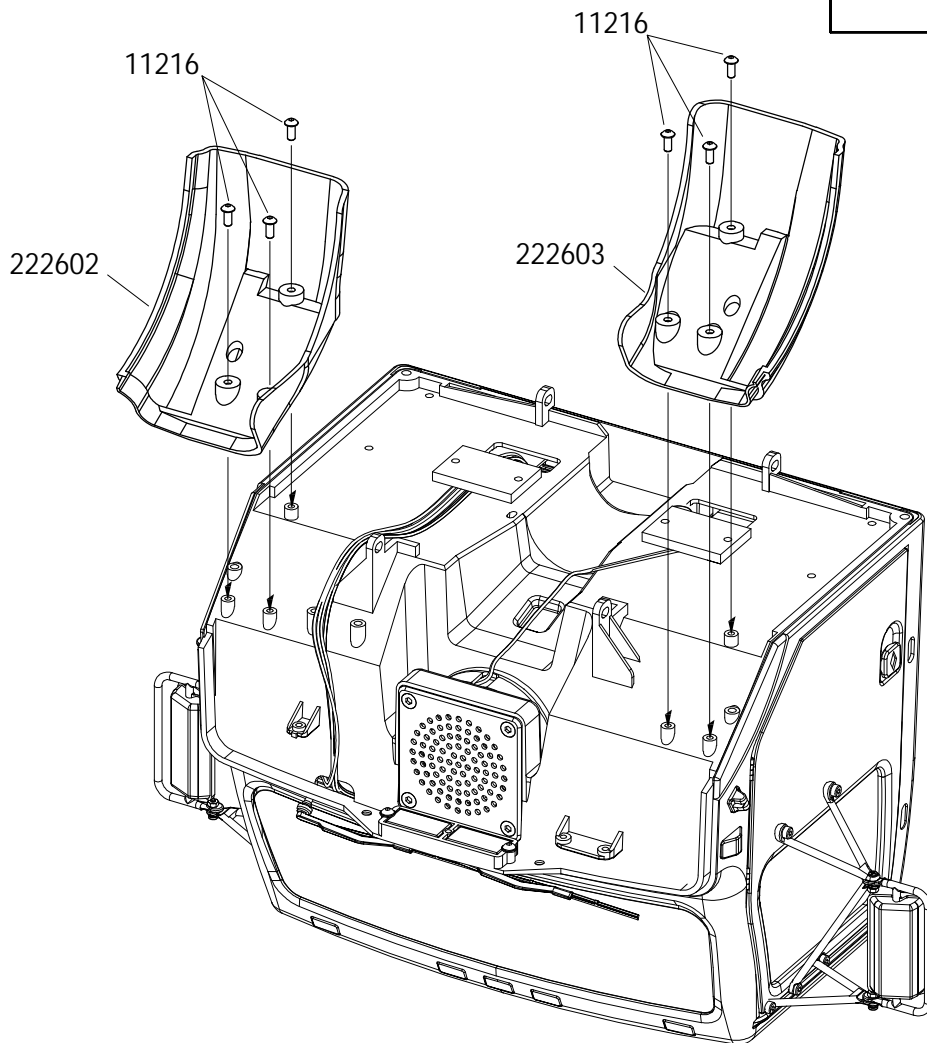
- 11216  M2.5x6 X4
- 11227  M2.5x8 X6
- 11206  M3x8 X2



64


WT4

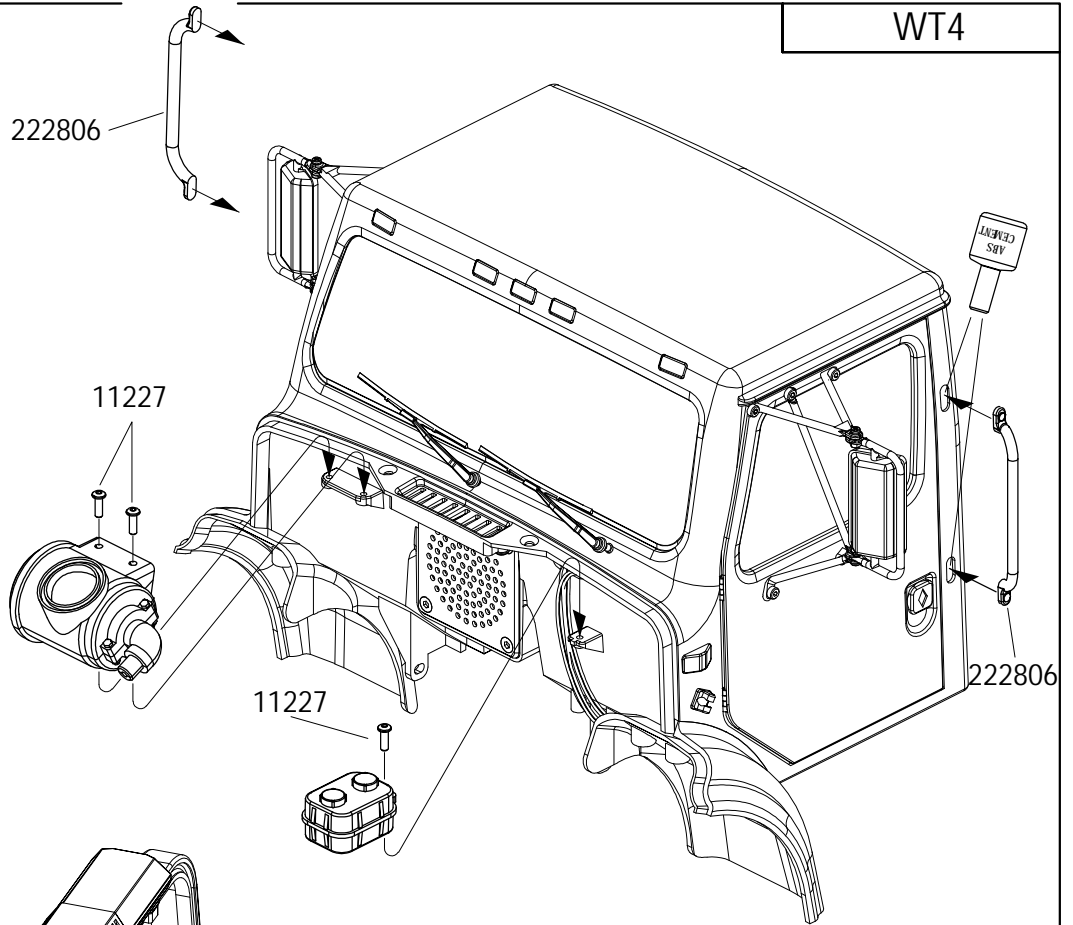
- 11216  M2.5x6 X6



65


WT4


11227 
M2.5x8 X3




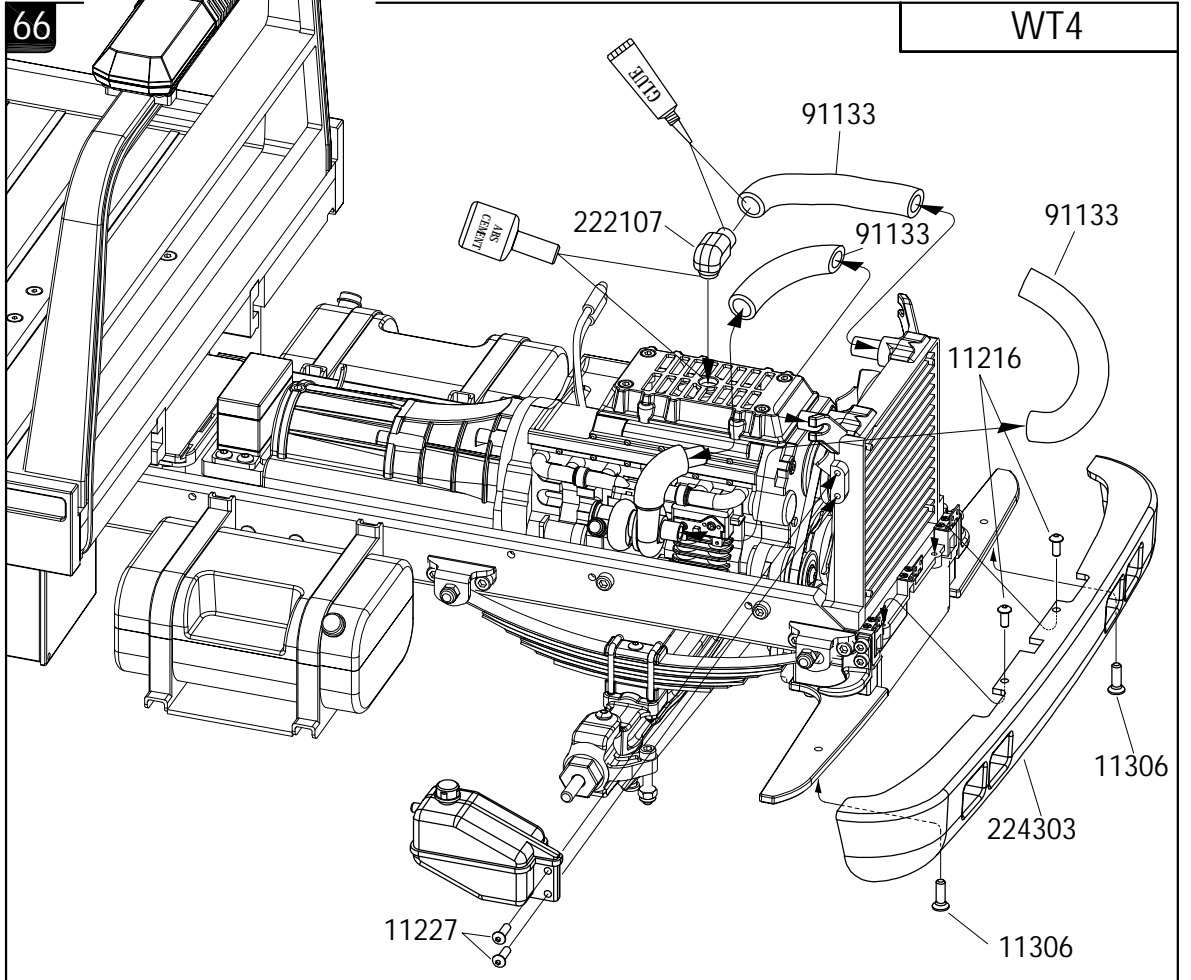
66

WT4

11216 
M2.5x6 X2

11227 
M2.5x8 X2

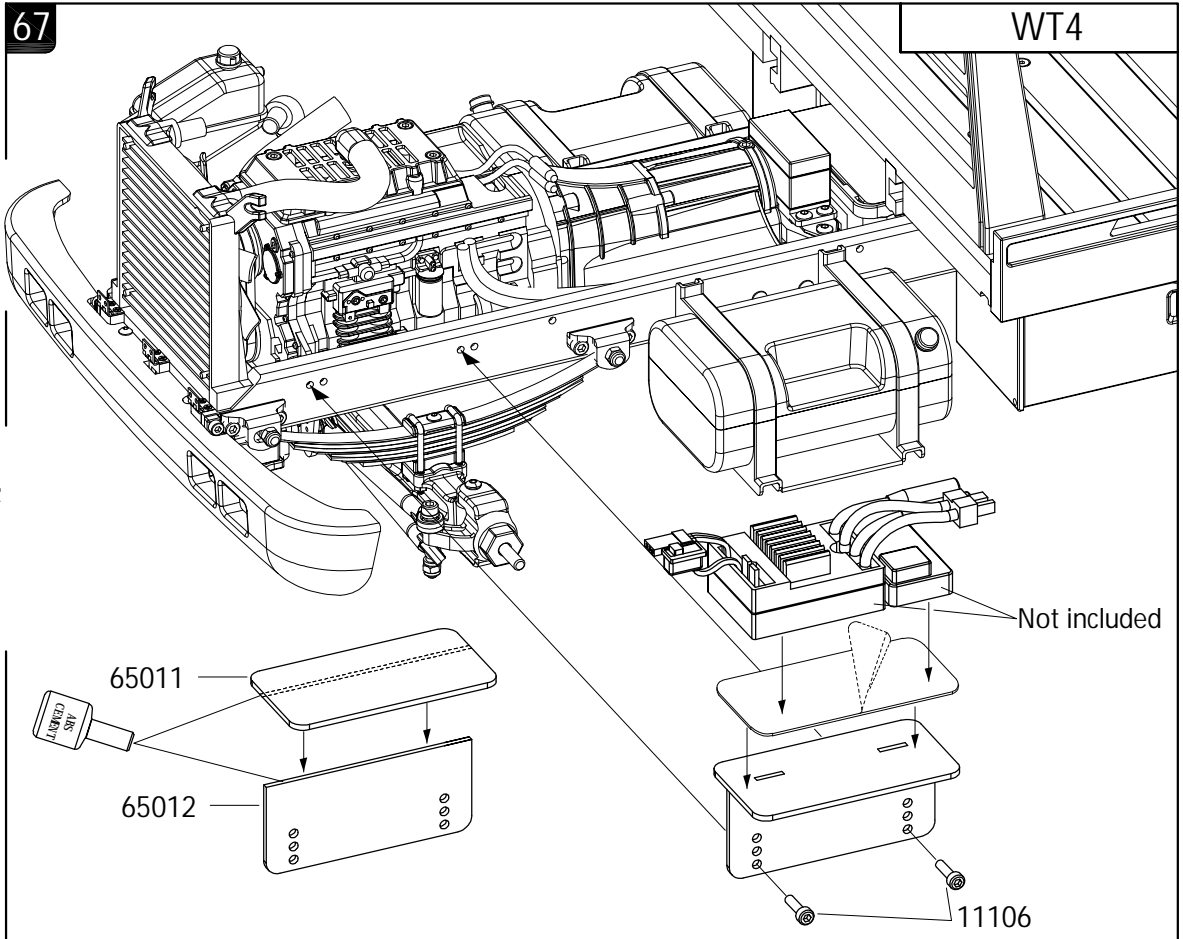
11306 
M3x10 X2



67

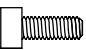
WT4

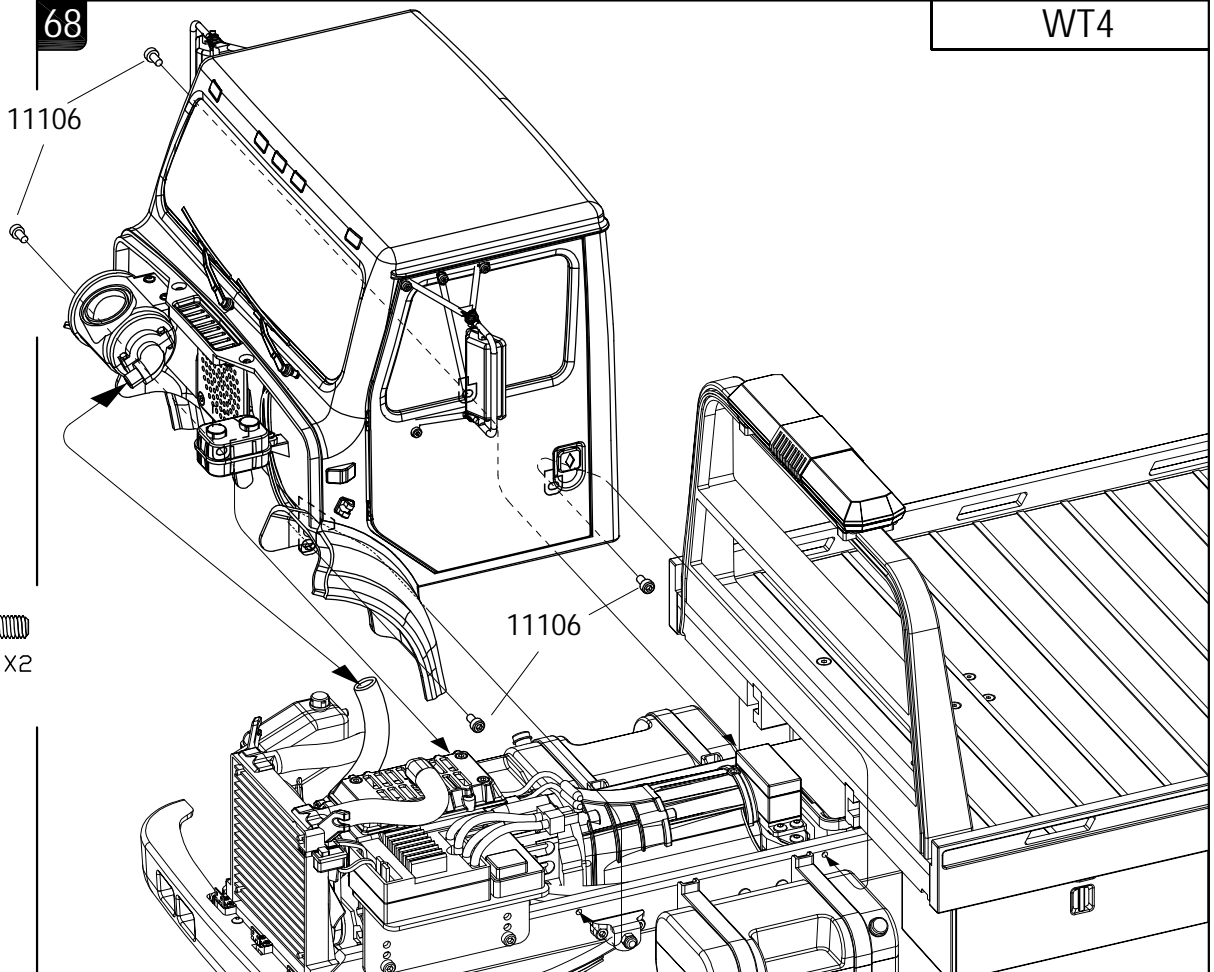
11106 
M3x8 X2



68


WT4


11106 
M3x8 X2

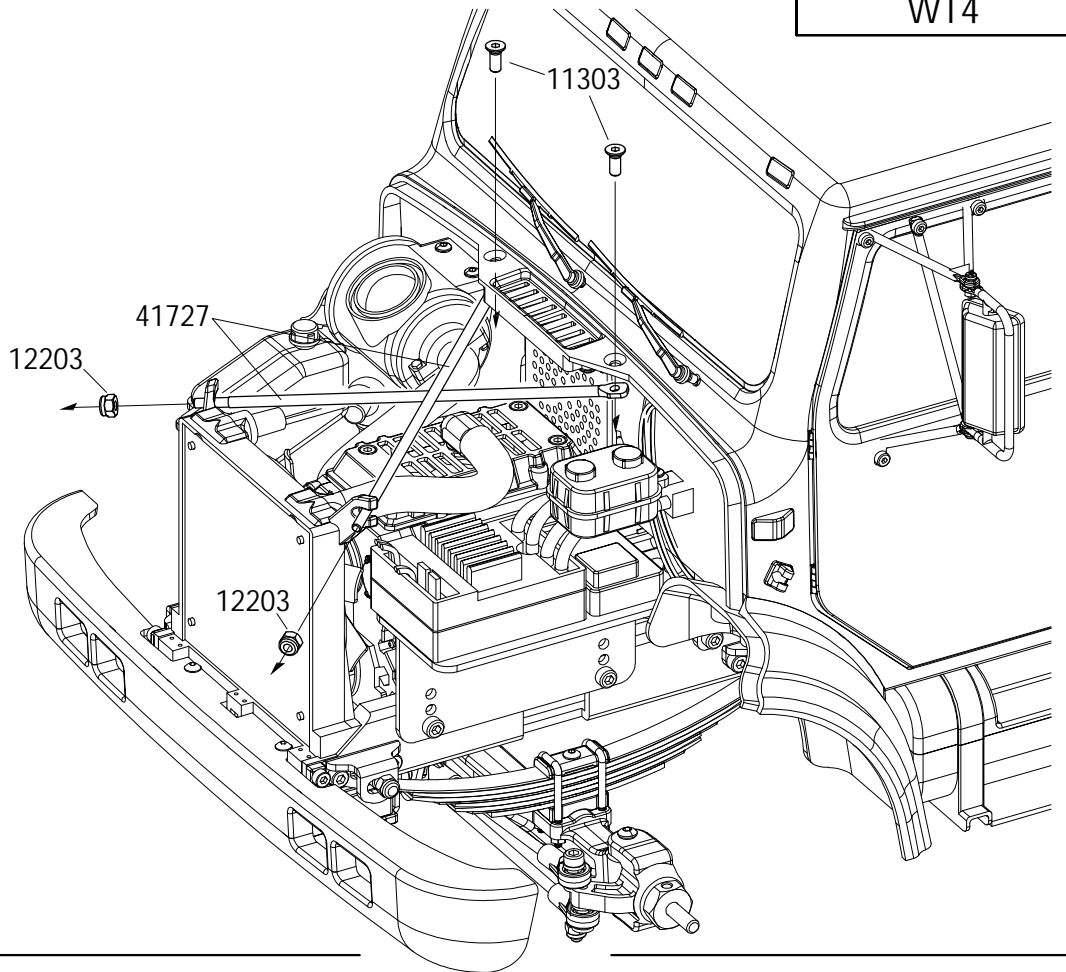


69

WT4


11303 
M3x8 X2

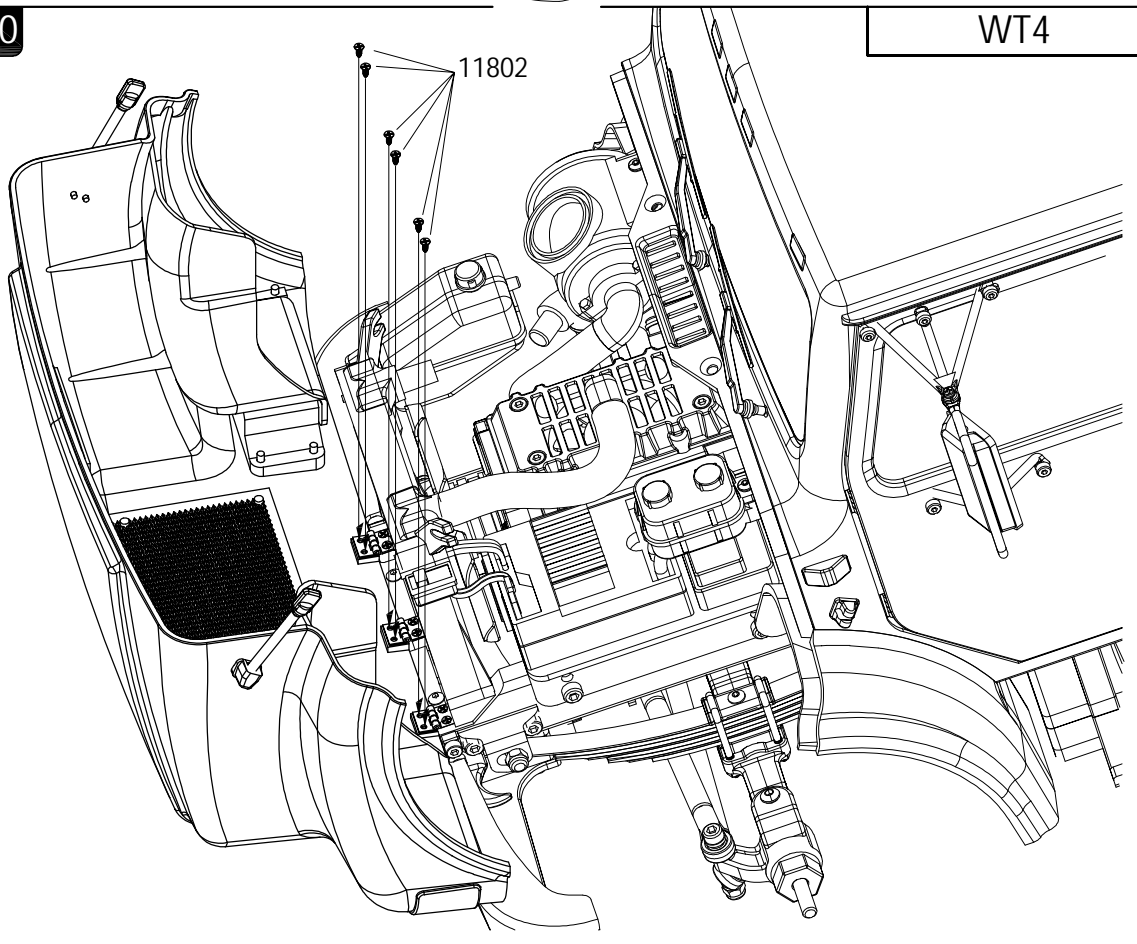
12203  
M3 X2




70


WT4

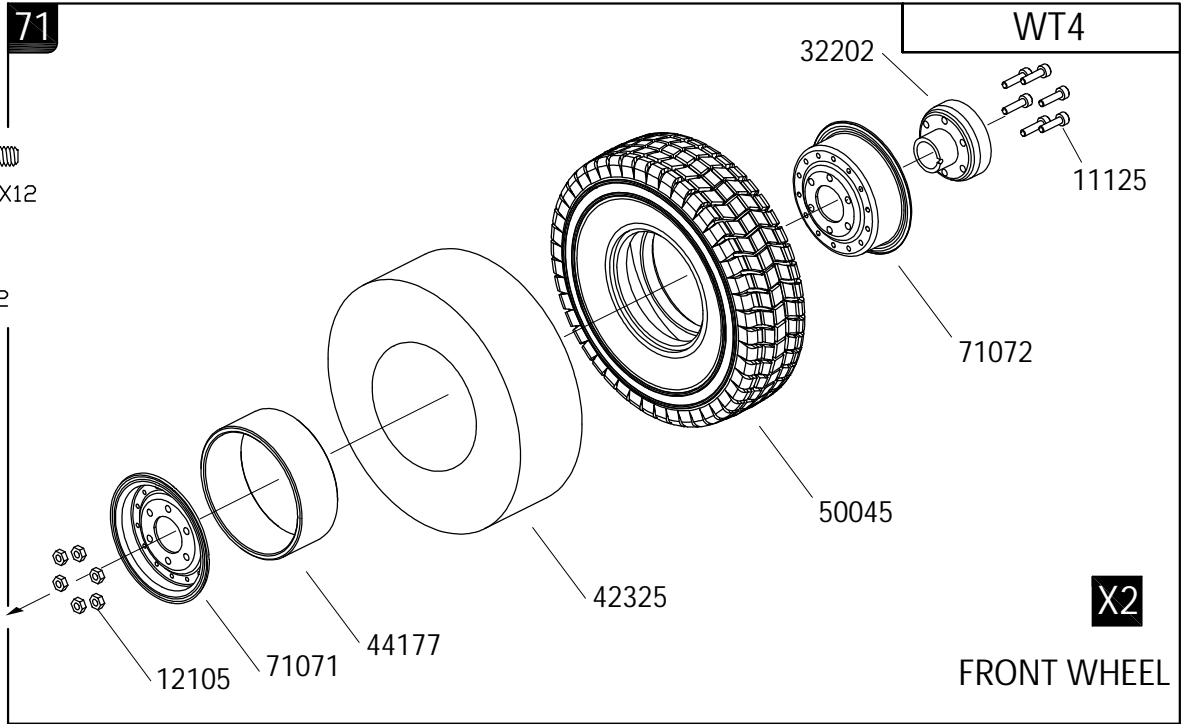
11802 
ST1.4X4 X6




71


11125 
M2.5x10 X12

12105 
M2.5 X12



72

11125 
M2.5x10 X24

12105 
M2.5 X24

