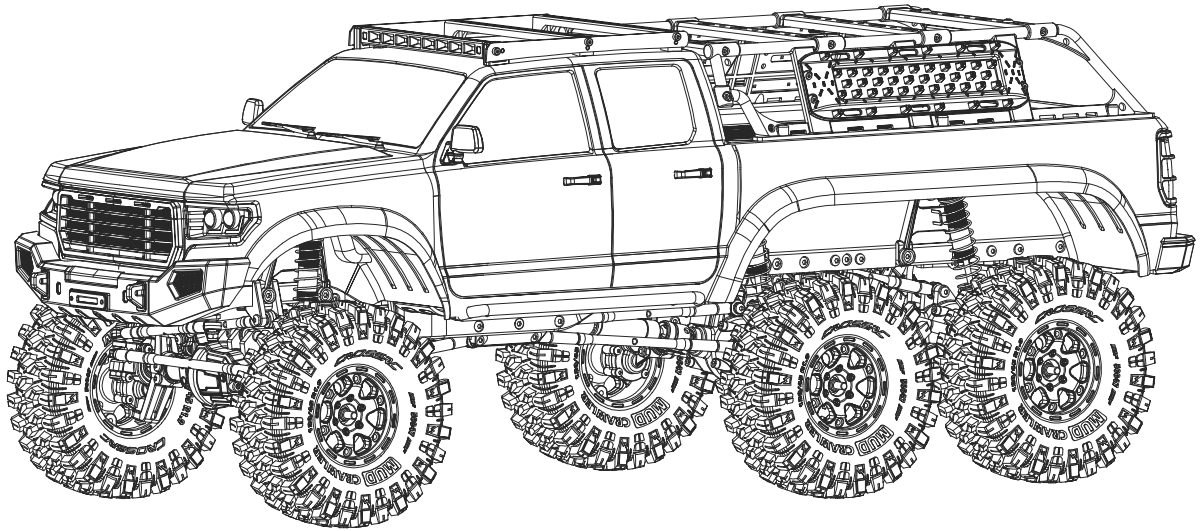


AT6(KIT)



CROSSRC

CAUTION



To prevent serious personal injury and/or property damage, operate all remotely controlled models in a responsible manner as outlined herein.

◆ **Safety Precautions**

- 1.1 This radio-controlled model is not a toy, it is designed for persons 14 years of age or older.
- 1.2 Do not operate your vehicle on unsafe terrain; always pay attention to your surroundings.
- 1.3 Never operate your vehicle on public roadways, around moving people, animals, or operating machinery.
- 1.4 Keep clear of power lines and high-powered radio equipment to minimize radio frequency interference.
- 1.5 Since this vehicle contains small components, it may be a choking hazard for small children. Keep the vehicle and any spare parts out of reach of small children.

◆ **Inspect your radio-controlled model before operation**

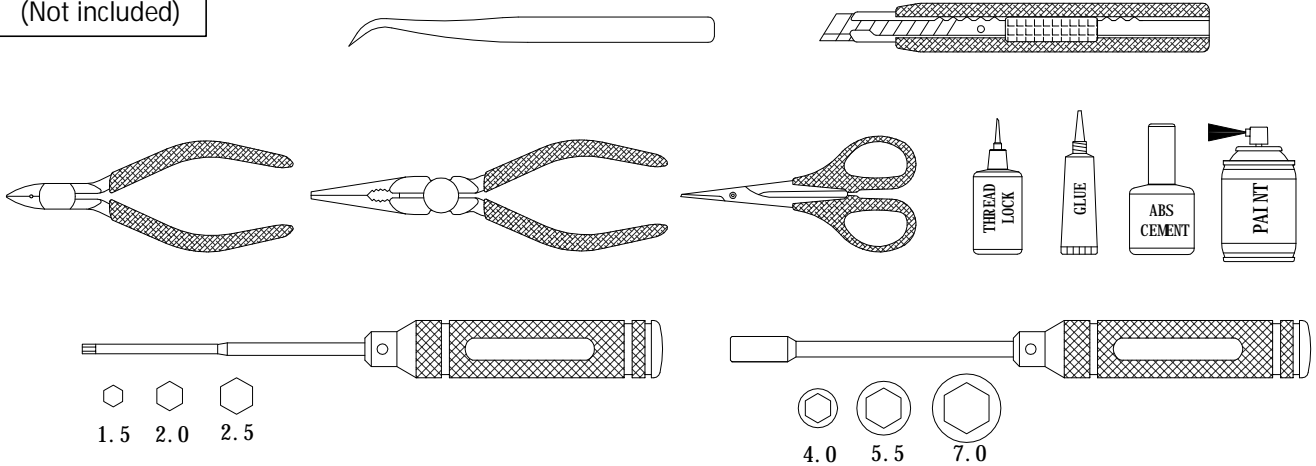
- 2.1 Ensure that all screws are properly tightened. Use thread-lock to secure any metal to metal contacts- especially for components designed to withstand torque (servo mounts, motor mount, drive shaft grub screws etc.).
- 2.2 Always check the battery voltage for both the transmitter and vehicle prior to operating your vehicle. Keep the batteries fresh in the transmitter and always begin your vehicle runs with a fully charged battery pack.
- 2.3 Always check that the motor and servo are operating smoothly and in the right direction prior to operation. If binding between components is observed, replace parts as necessary to reduce possibility of component or servo damage.
- 2.4 To turn on your vehicle, always power on your transmitter first, then power on your receiver.

◆ **After operating your radio-controlled model**

- 3.1 To turn off the vehicle, always power off your receiver prior to powering off your transmitter.
- 3.2 Use caution when handling the vehicle- components, especially the ESC and motor which will be hot after operation.
- 3.3 Never use battery packs which are dented or otherwise damaged. Ensure that the wire insulation is intact and that connectors are properly soldered. Lithium batteries can become fire hazards if mishandled.

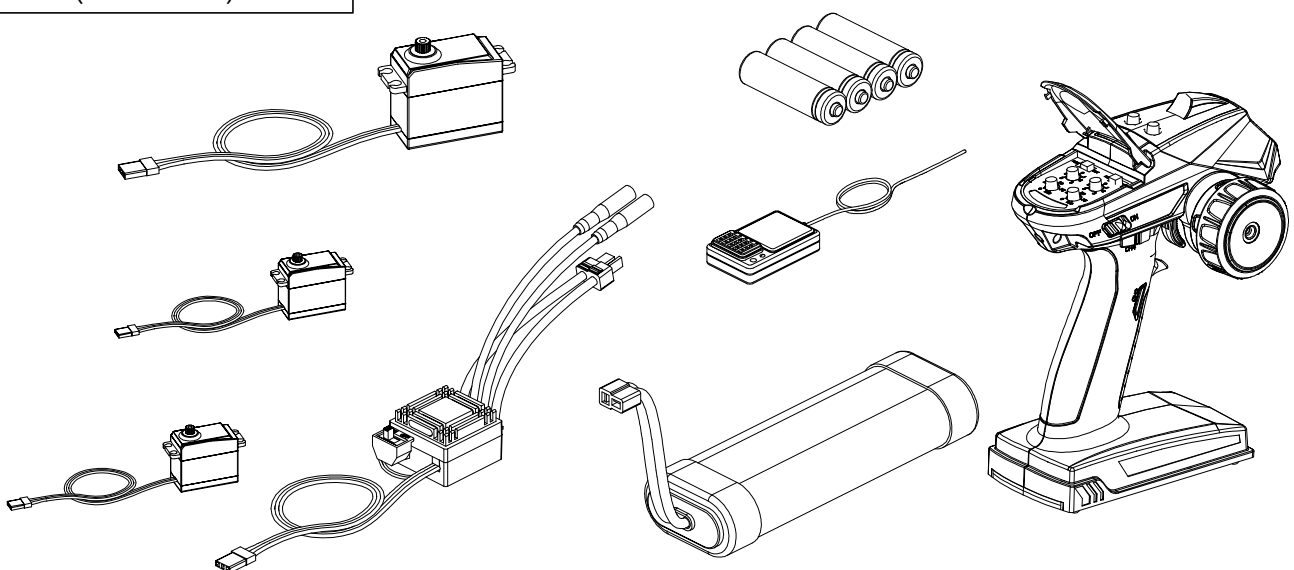
TOOLS

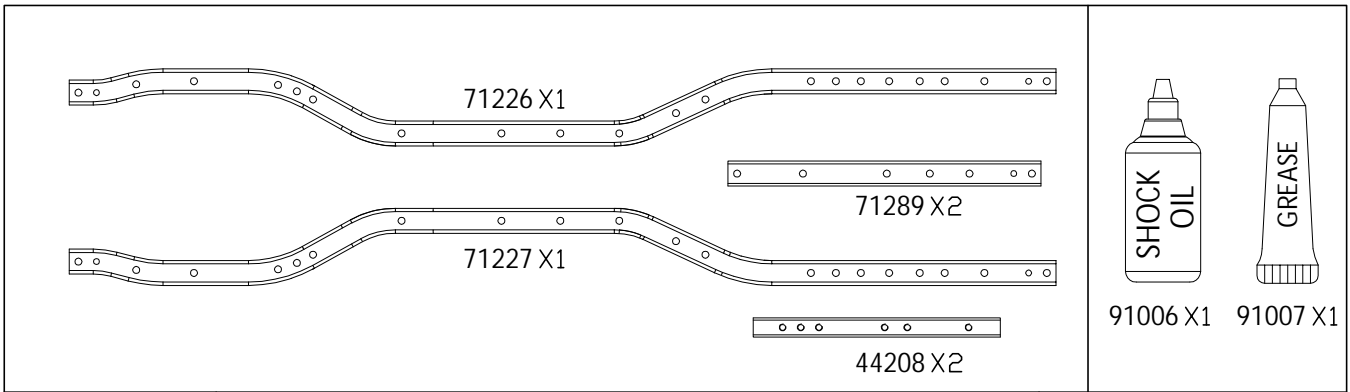
(Not included)



Electronic equipment

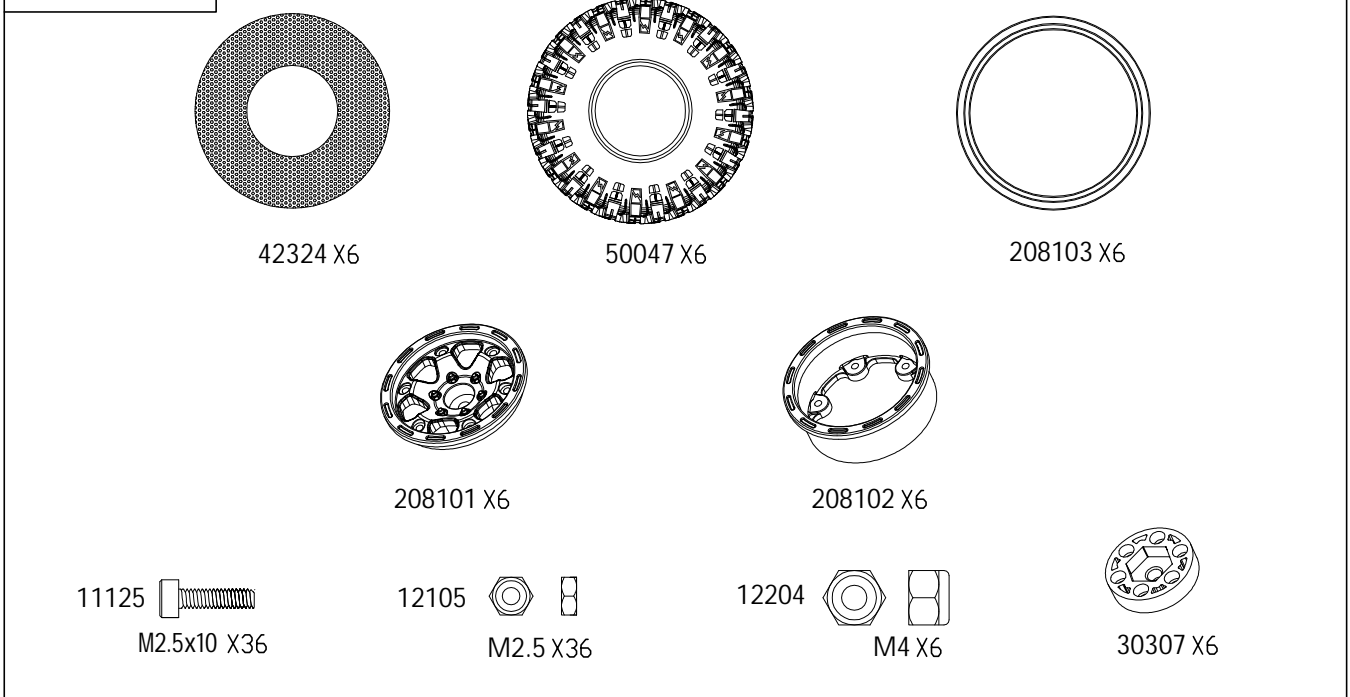
(Not included)





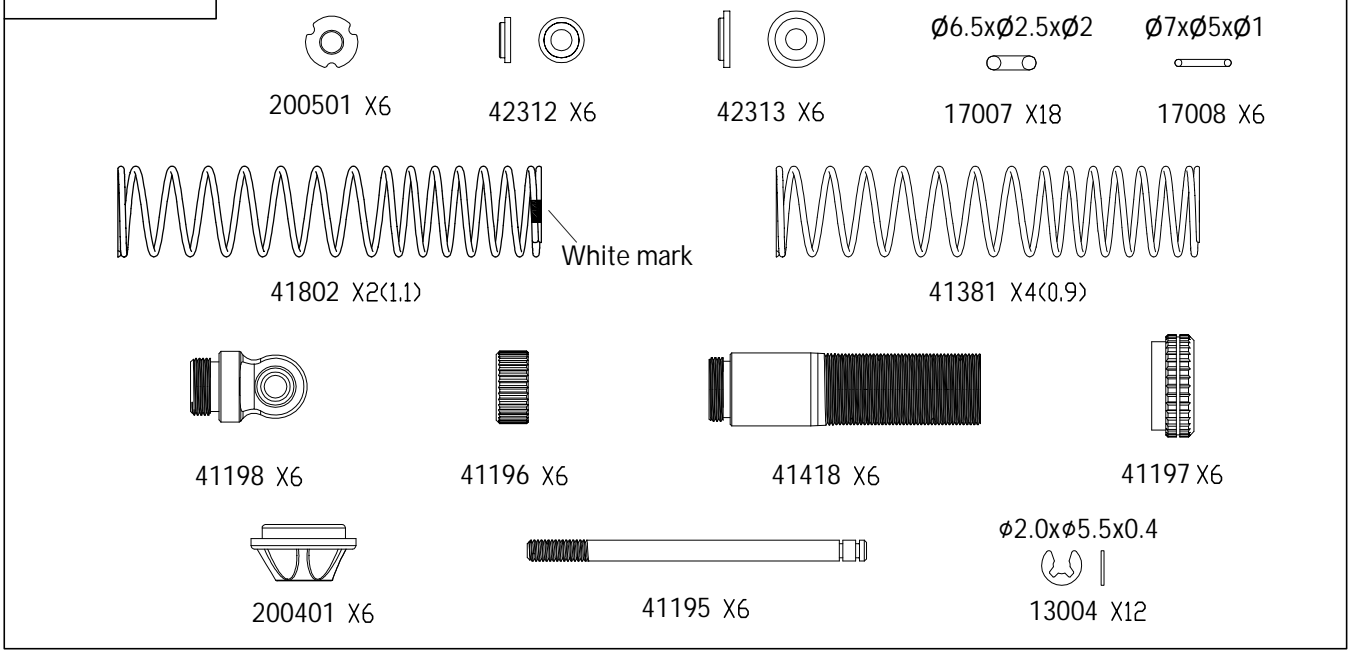
BAG(A)

AT6(KIT)



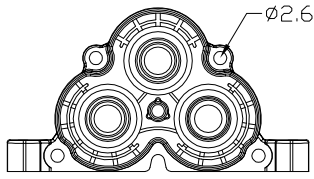
BAG(B)

AT6(KIT)

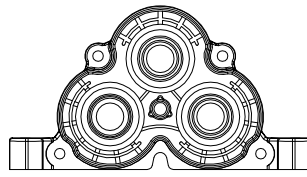


BAG(C)

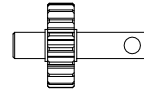
AT6(KIT)



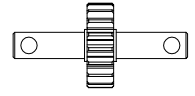
215205



215206



41556 (18T)X2



42232 (18T)X1



15012

φ5xφ10x4 X6



72007

φ5xφ8x0.3 X6

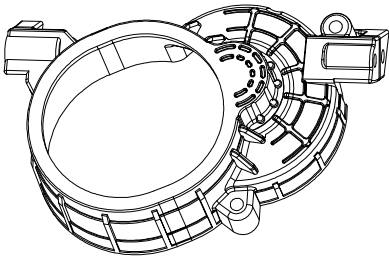


11125

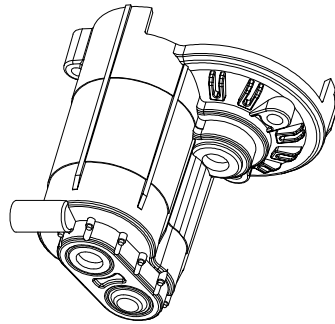
M2.5x10 X4

BAG(D)

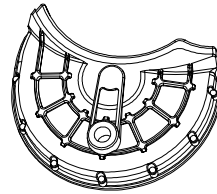
AT6(KIT)



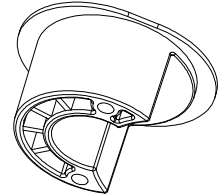
215202



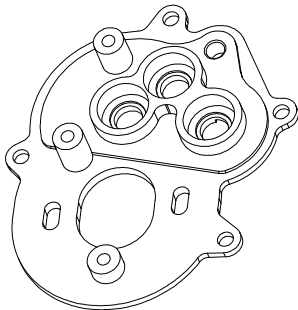
215203



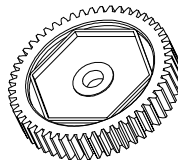
215201



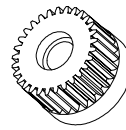
215204



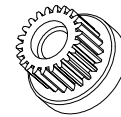
33801



215101(52T)



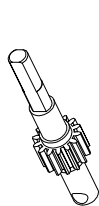
33901(29T)



33902(22T)



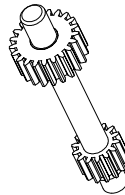
33903



41549(14T)



41373(14T)



41550 (21T-14T)

13001



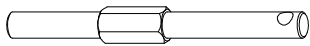
φ3xφ7.2x0.5 X2



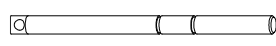
41554



41307

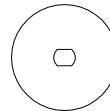


42201

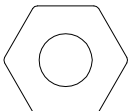


42202

71229 x2



74015 x2



14201



φ4.2xφ8x0.4 X4

42203



φ5.1xφ8x1.5 X3

72003



φ5xφ8x0.5 X3

14102



φ3xφ7x0.5 X2

15012



φ5xφ10x4 X6

15014



φ5xφ8x2.5 X4

11401



M3x4 X1

11207



M3x10 X7

11215

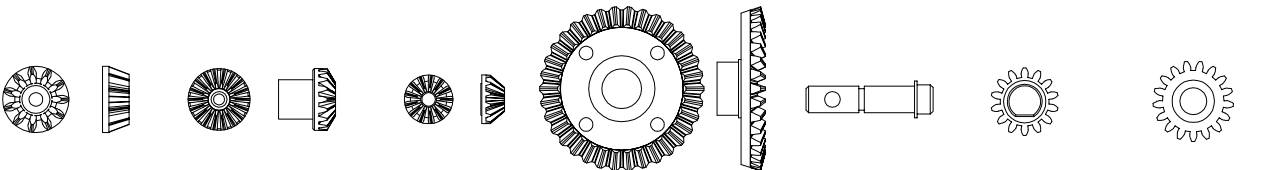
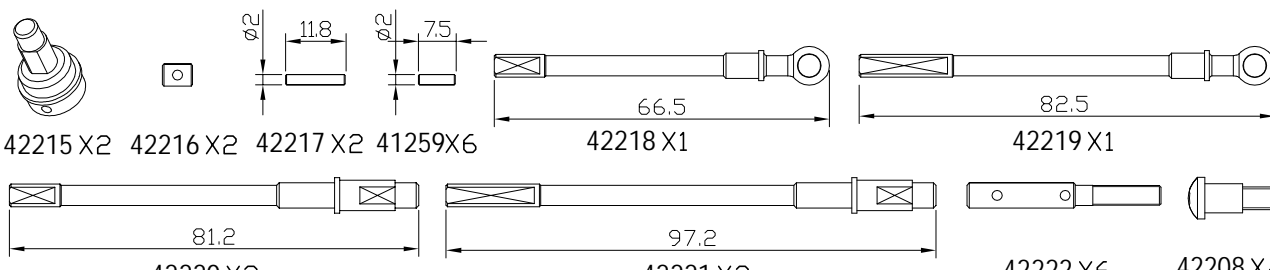
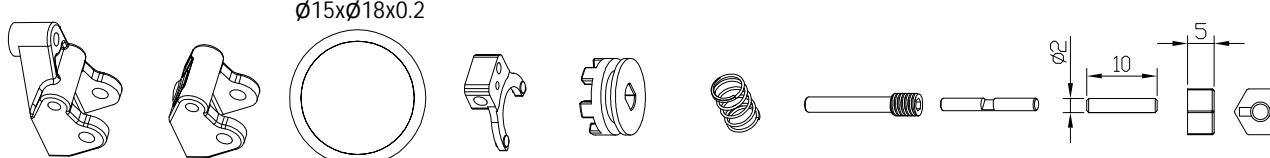
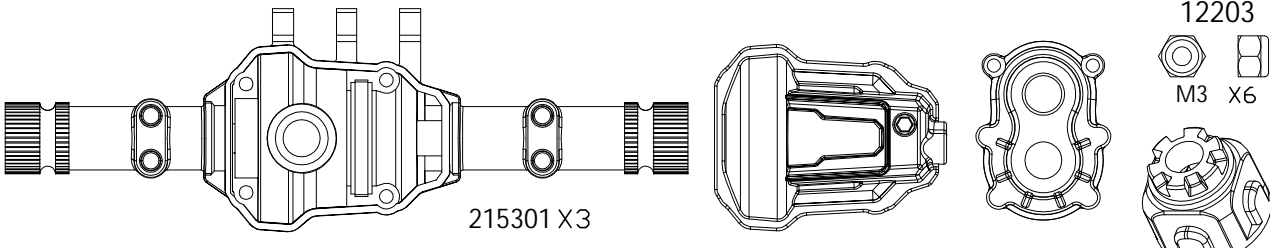
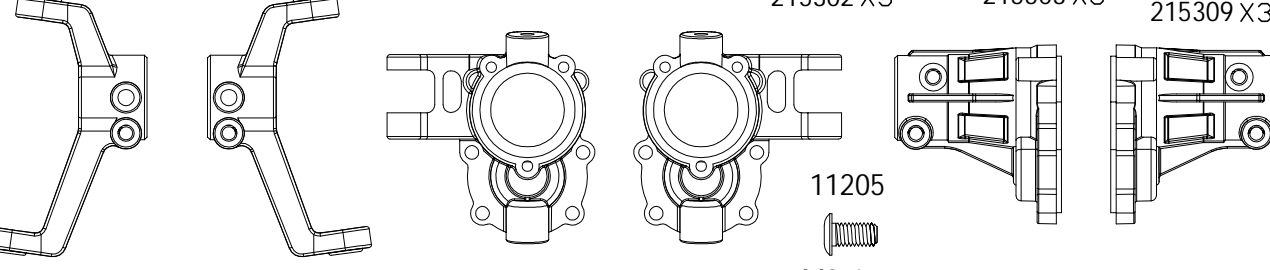
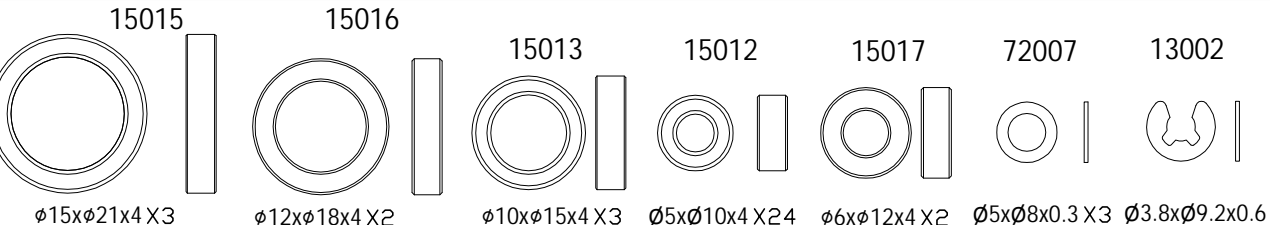
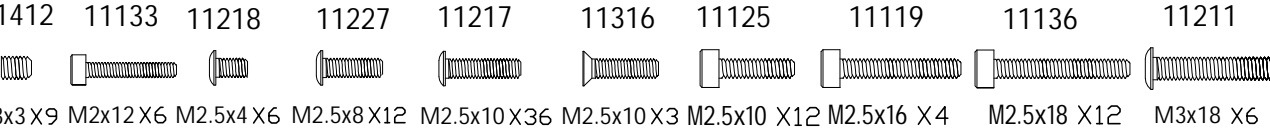


M3x28 X2

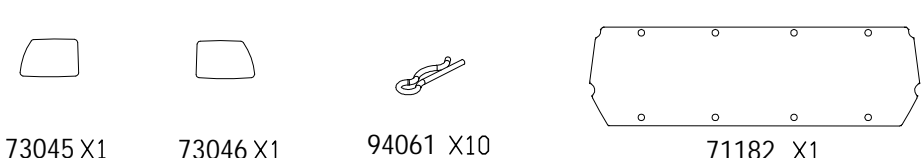
12304



M4 X1

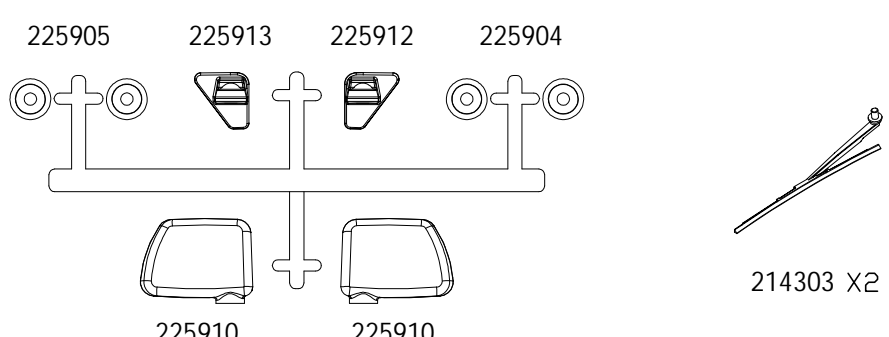
BAG(E)									AT6(KIT)
									
<p>33905(11T)X3 33906(18T)X6 33907(13T)X12 33904(34T)X3 42214 X3 34701(14T)X6 34702(17T)X6</p>									
									
<p>42215 X2 42216 X2 42217 X2 41259X6 42218 X1 42219 X1 42220 X2 42221 X2 42222 X6 42208 X4</p>									
									
<p>215307 X1 215308 X5 75020 X3 41558 X3 33908 X3 41398 X3 42209 X3 42223 X6 41209X6 44092 X6</p>									
									
<p>215301 X3 215302 X3 215503 X6 12203 M3 X6 215309 X3</p>									
									
<p>215502 X1 215501 X1 215505 X1 215504 X1 11205 M3x6X4 215506 X2 215507 X2</p>									
									
<p>15015 ø15xø21x4 X3 15016 ø12xø18x4 X2 15013 ø10xø15x4 X3 15012 ø5xø10x4 X24 15017 ø6xø12x4 X2 72007 ø5xø8x0.3 X3 13002 ø3.8xø9.2x0.6 X3</p>									
									
<p>11412 11133 11218 11227 11217 11316 11125 11119 11136 11211 M3x3 X9 M2x12 X6 M2.5x4 X6 M2.5x8 X12 M2.5x10 X36 M2.5x10 X3 M2.5x10 X12 M2.5x16 X4 M2.5x18 X12 M3x18 X6</p>									

BAG(J)



73045 X1 73046 X1 94061 X10 71182 X1

BAG(K)

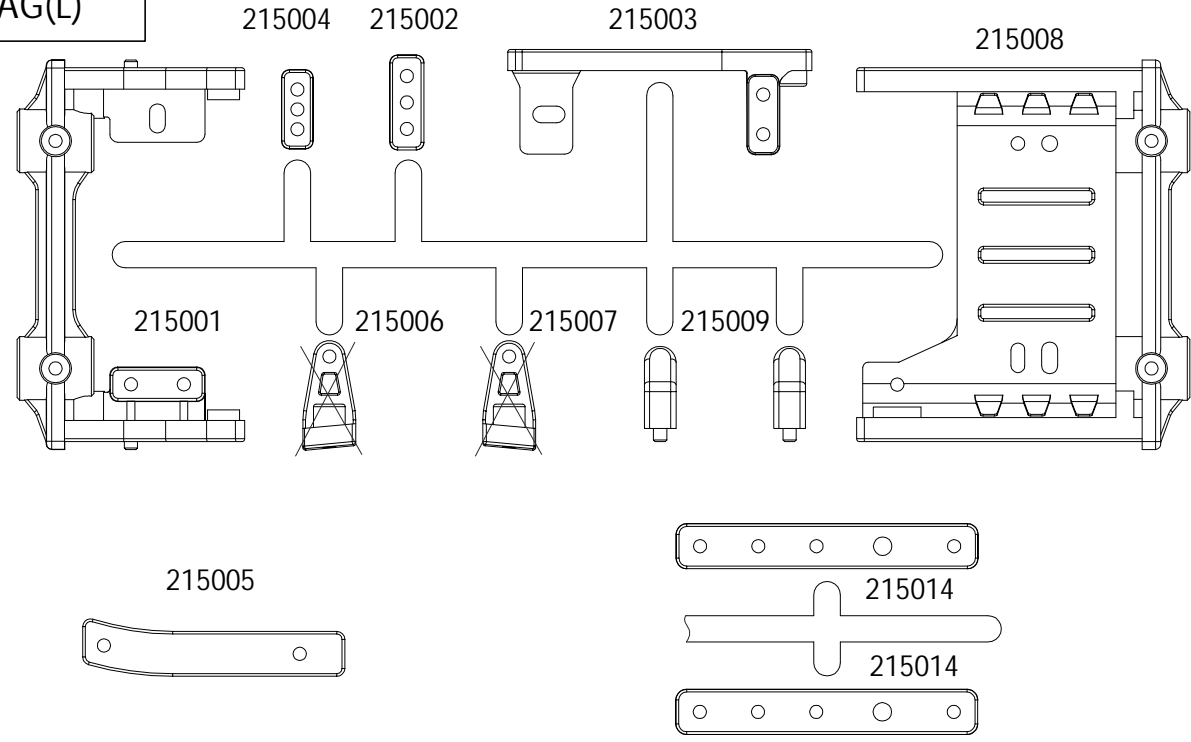


225905 225913 225912 225904

225910 225910

214303 X2

BAG(L)



215004 215002 215003 215008

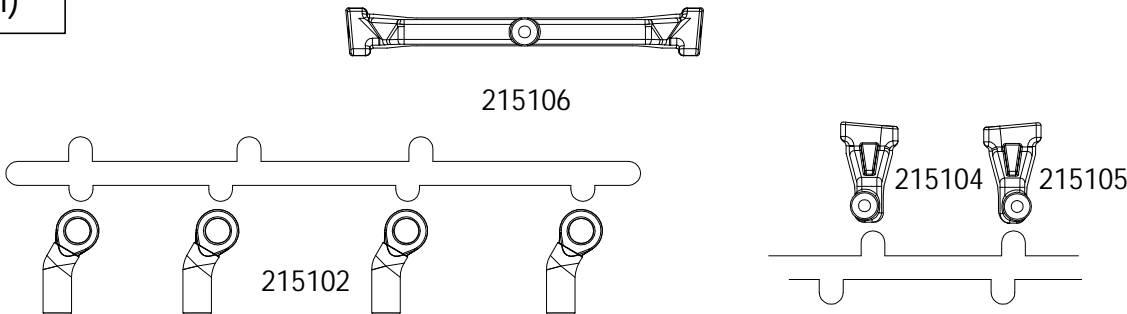
215001 215006 215007 215009

215005

215014

215014

BAG(M)

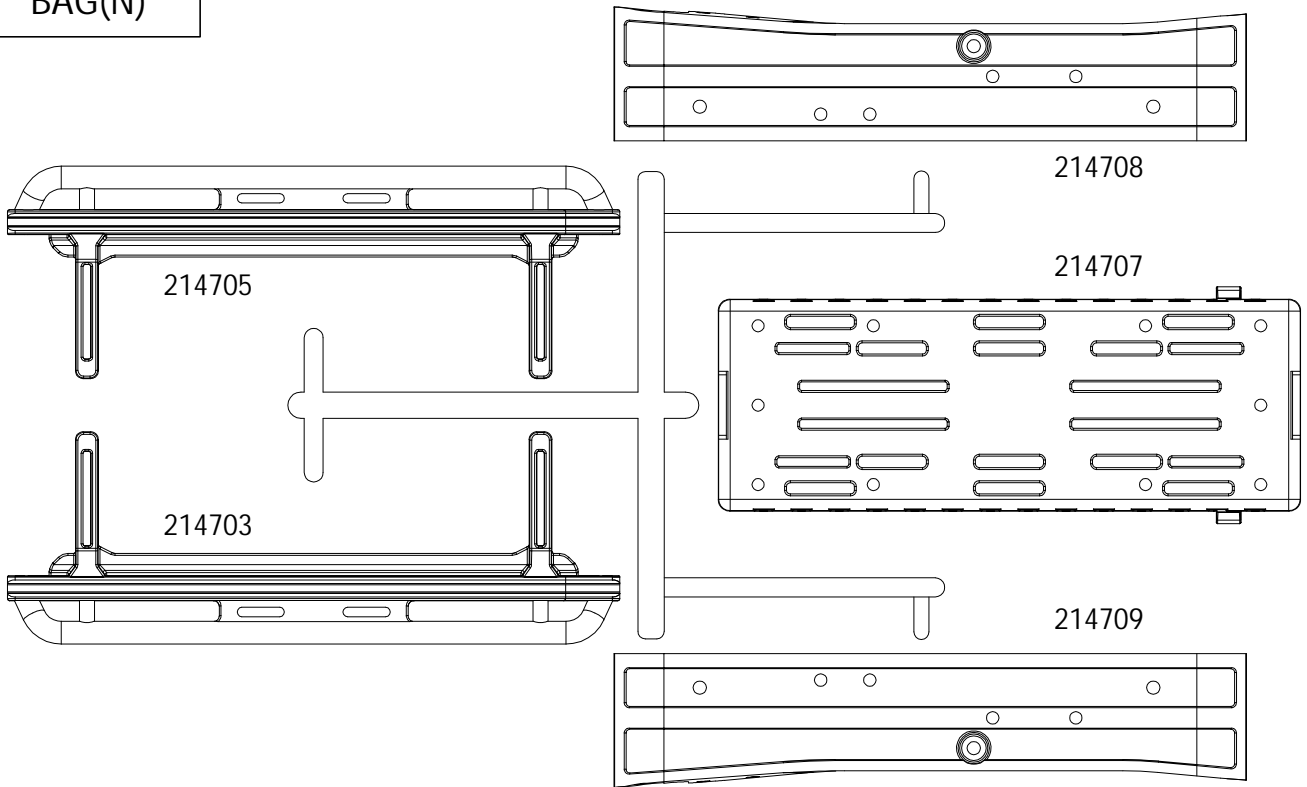


215106

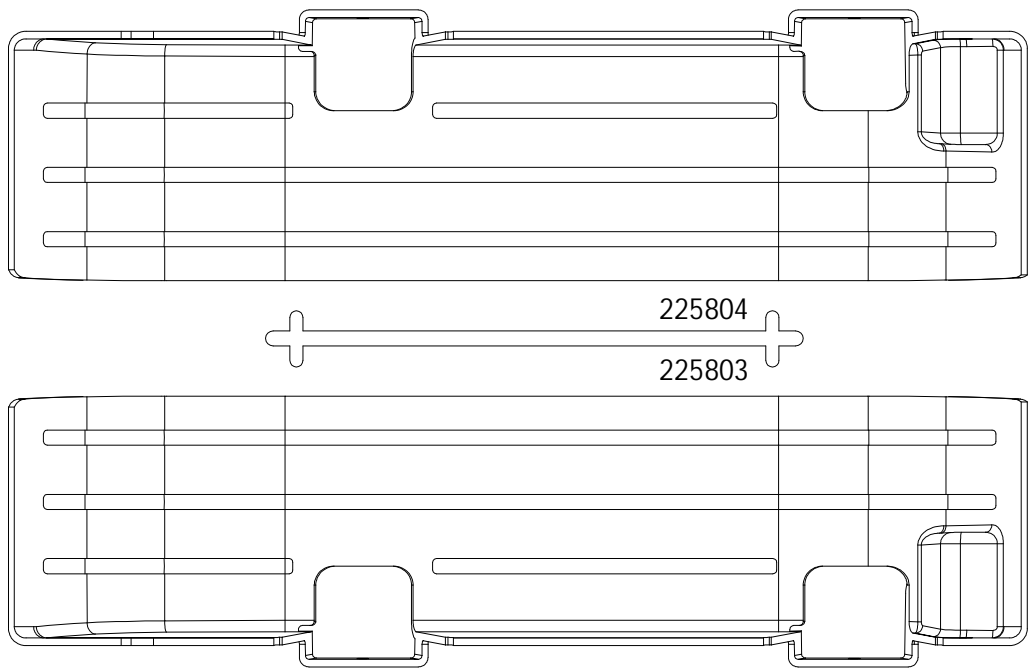
215102

215104 215105

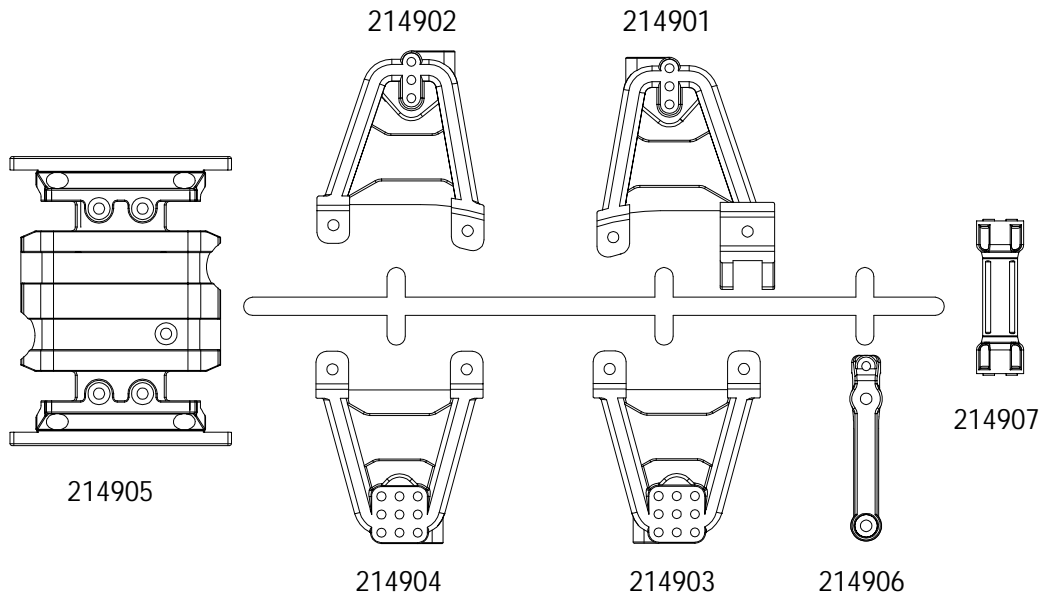
BAG(N)



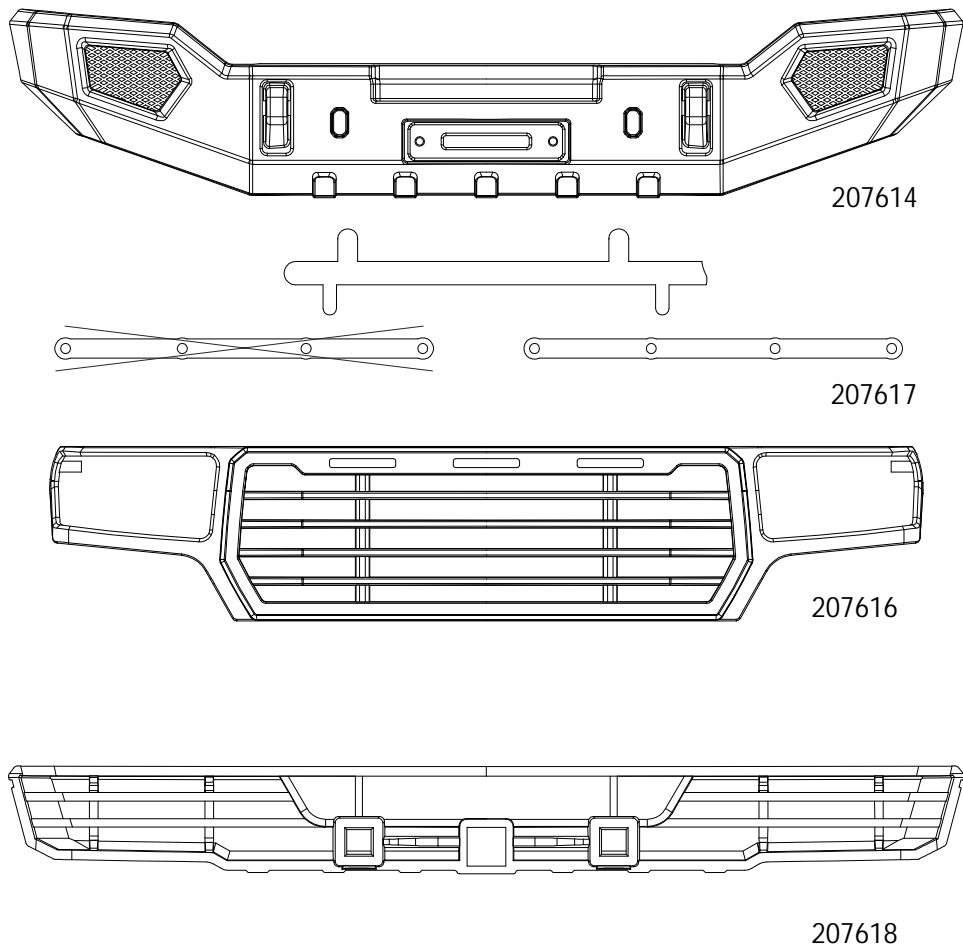
BAG(O)




BAG(P)

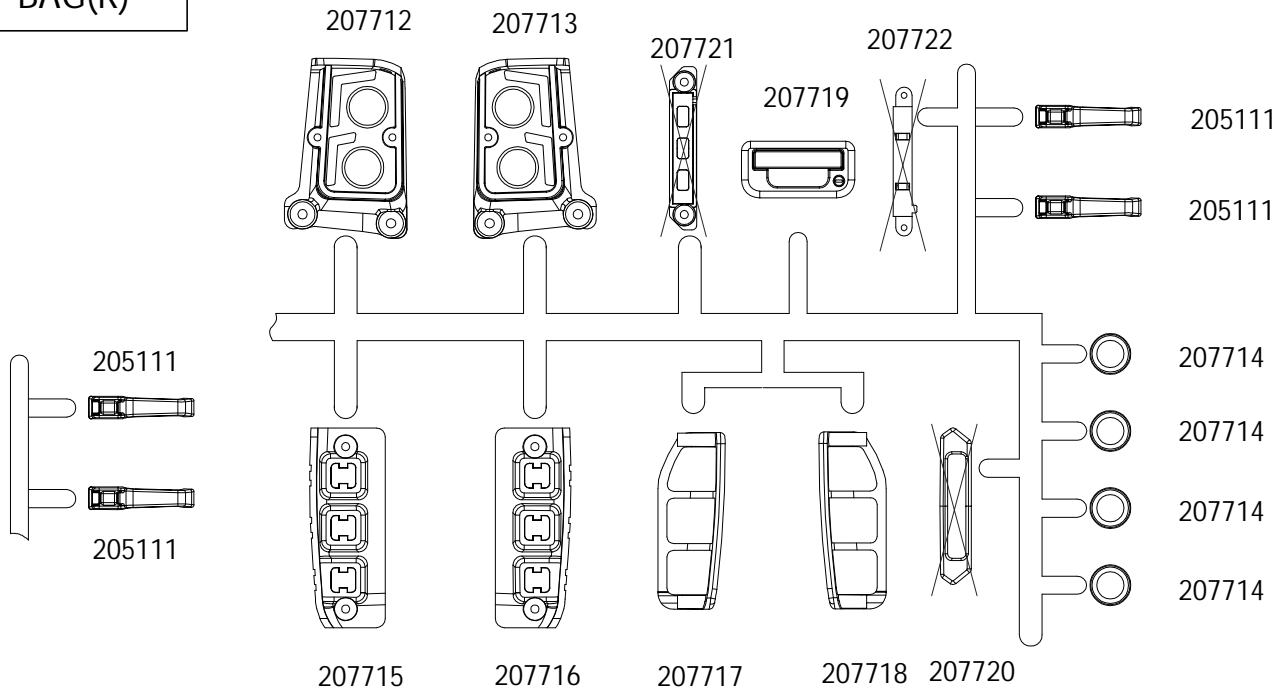


BAG(Q)

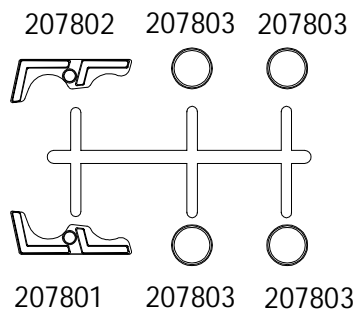



65201 X2

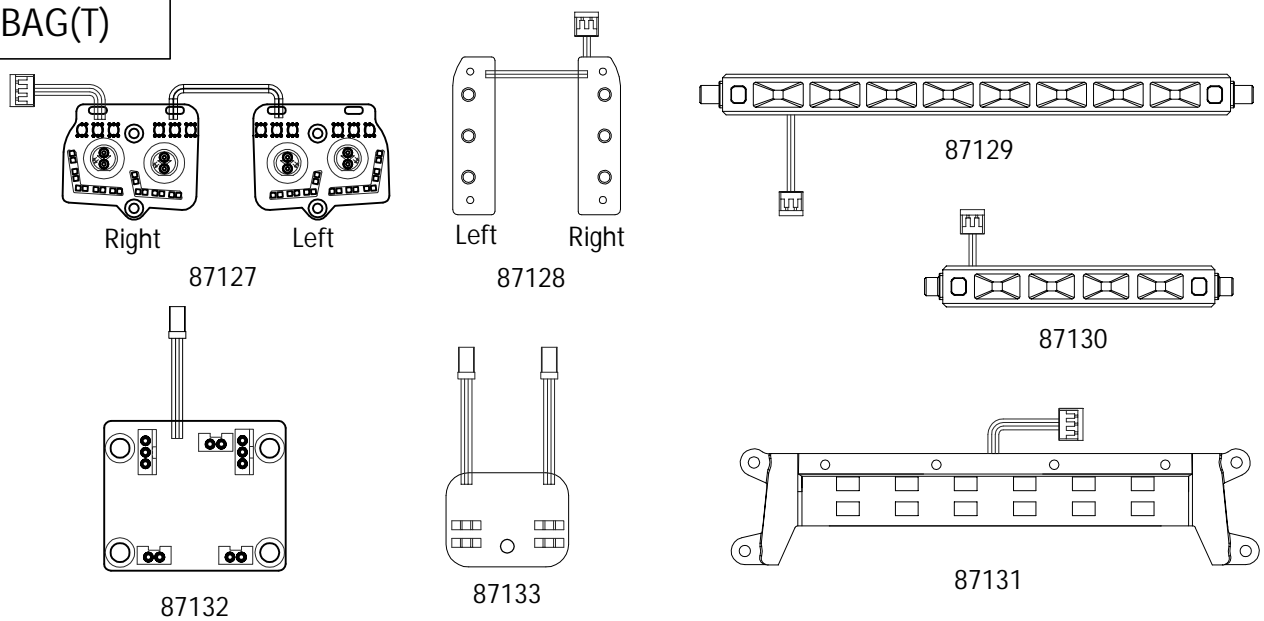
BAG(R)



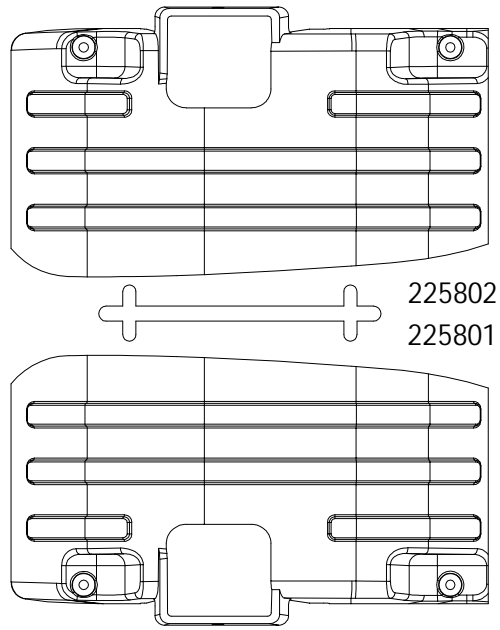
BAG(S)



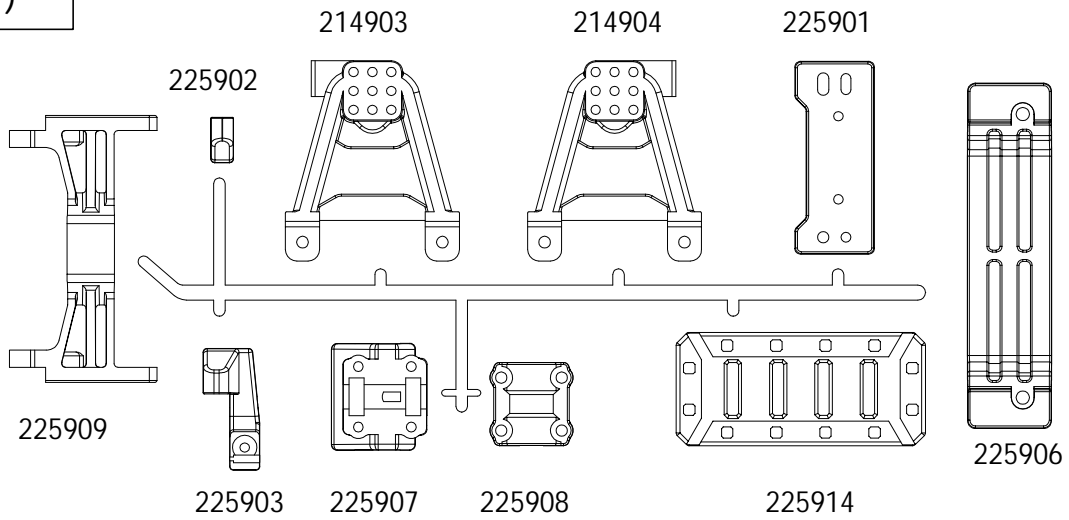
BAG(T)



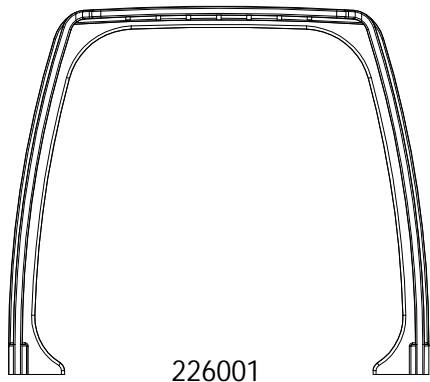
BAG(U)



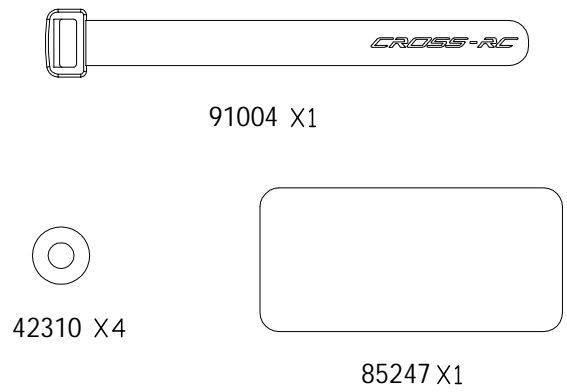
BAG(V)



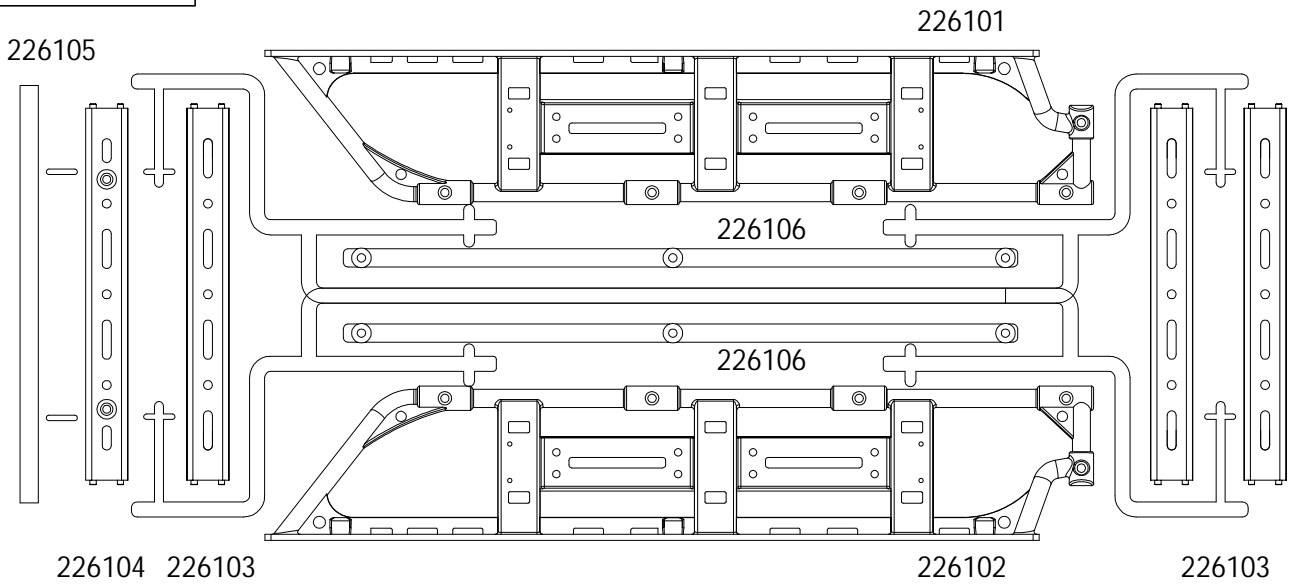
BAG(W)



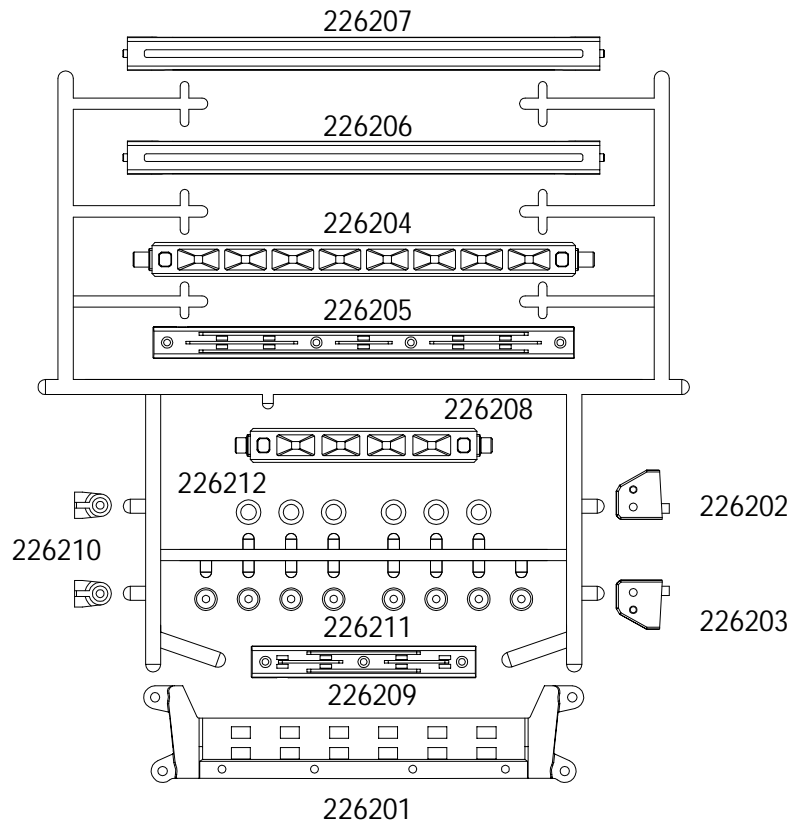
BAG(X)



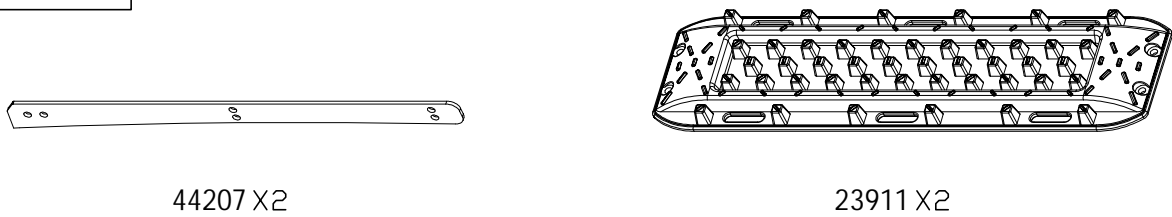
BAG(Y)



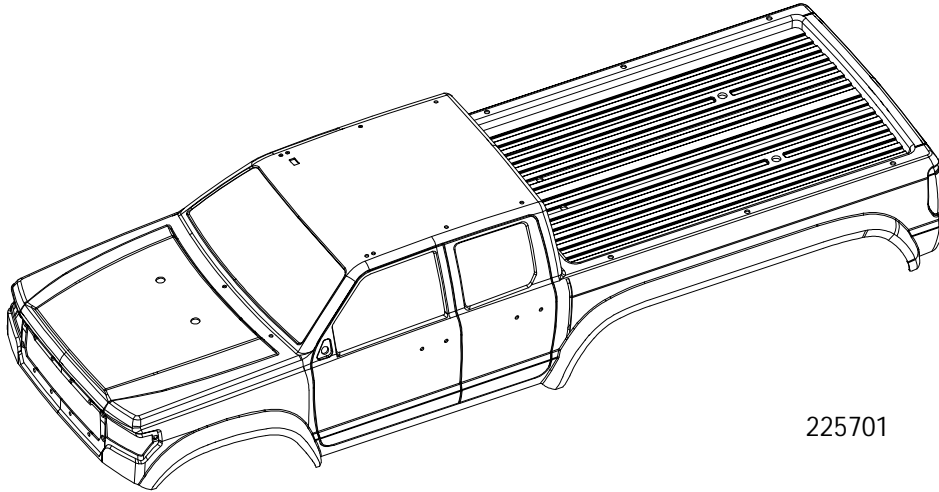
BAG(Z)



BAG(AA)




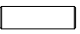
BAG(BB)






225701


BAG(CC)


91152 
 $\varnothing 4 \times \varnothing 3$ X3


42224 
 $\varnothing 3 \times 10.8$ X2

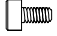
14102 
 $\varnothing 3 \times \varnothing 7 \times 0.5$ X2


15012  
 $\varnothing 5 \times \varnothing 10 \times 4$ X2

11206 
 M3x8 X45


11211 
 M3x18 X11

11303 
 M3x8 X8


11101 
 M2x4 X2


11207 
 M3x10 X43


11212 
 M3x20 X12


11306 
 M3x10 X6


11102 
 M2x6 X24


11208 
 M3x12 X2


11214 
 M3x25 X9

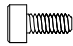
11872 
 ST2.6x10 X6


11103 
 M2x8 X6


11209 
 M3x14 X1

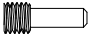
11215 
 M3x28 X2


11873 
 ST2.6x12 X10


11142 
 M2.5x6 X6


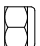
11210 
 M3x16 X11

11202 
 M2x6 X4

11413 
 M4x12 X2

11704 
 M1.6x6 X11

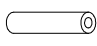
11233 
 M3x50 X1

12203  
 M3 X20

V4.0


 44172 X1



 91175 X3


 91176 X3


 41819 X1


 42231 X3


 94056 X2


11227 
 M2.5x8 X3


12206  
 M2 X3


11401 
 M3x4 X4

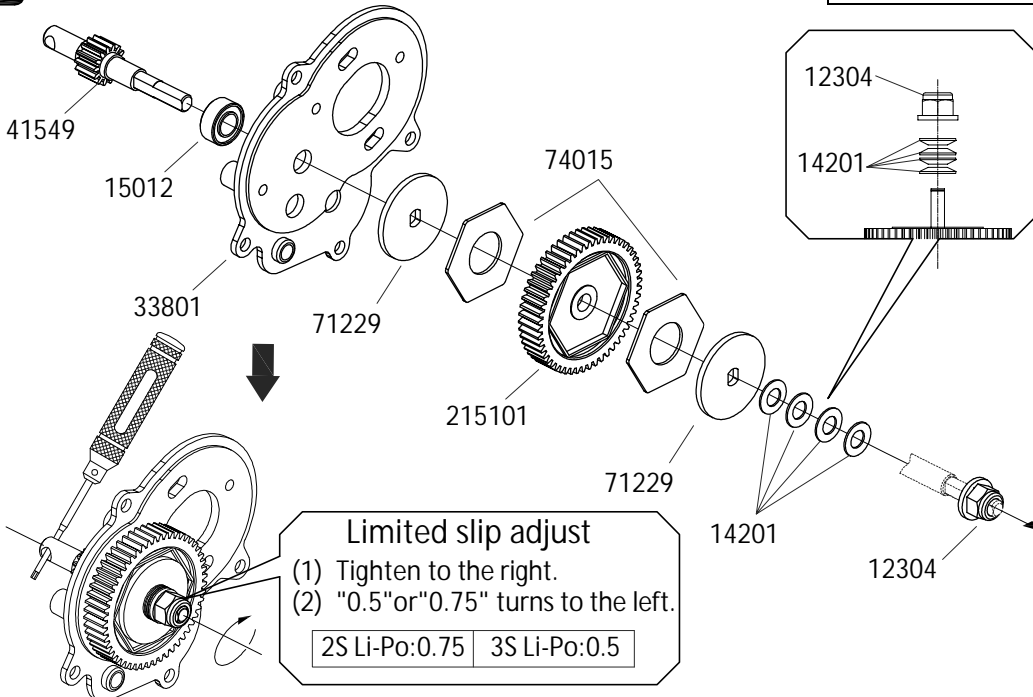
1 AT6(KIT)

BAG(D)

15012

 5x10x4 X1

12304

 M4 X1

14201

 4.2x8x0.4 X4



Limited slip adjust

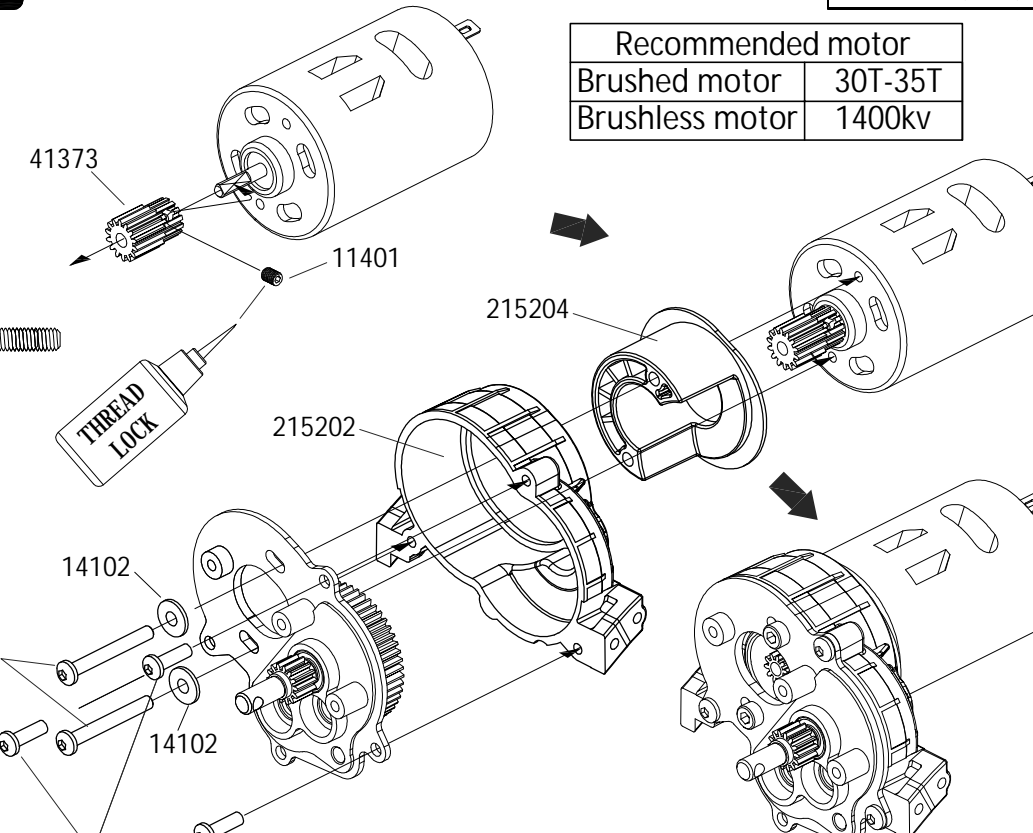
(1) Tighten to the right.
 (2) "0.5" or "0.75" turns to the left.

2S Li-Po: 0.75	3S Li-Po: 0.5
----------------	---------------

2 AT6(KIT)

Recommended motor

Brushed motor	30T-35T
Brushless motor	1400kv



Final reduction ratio

Motor gear	10T	11T	12T	13T	14T	15T	16T	17T	18T
Fast	30.2	27.5	25.2	23.2	21.6	20.1	18.9	17.8	16.8
Slow	59.7	54.3	49.8	45.9	42.6	39.8	37.3	35.1	33.2

AT6(KIT)

3

BAG(D)

15014

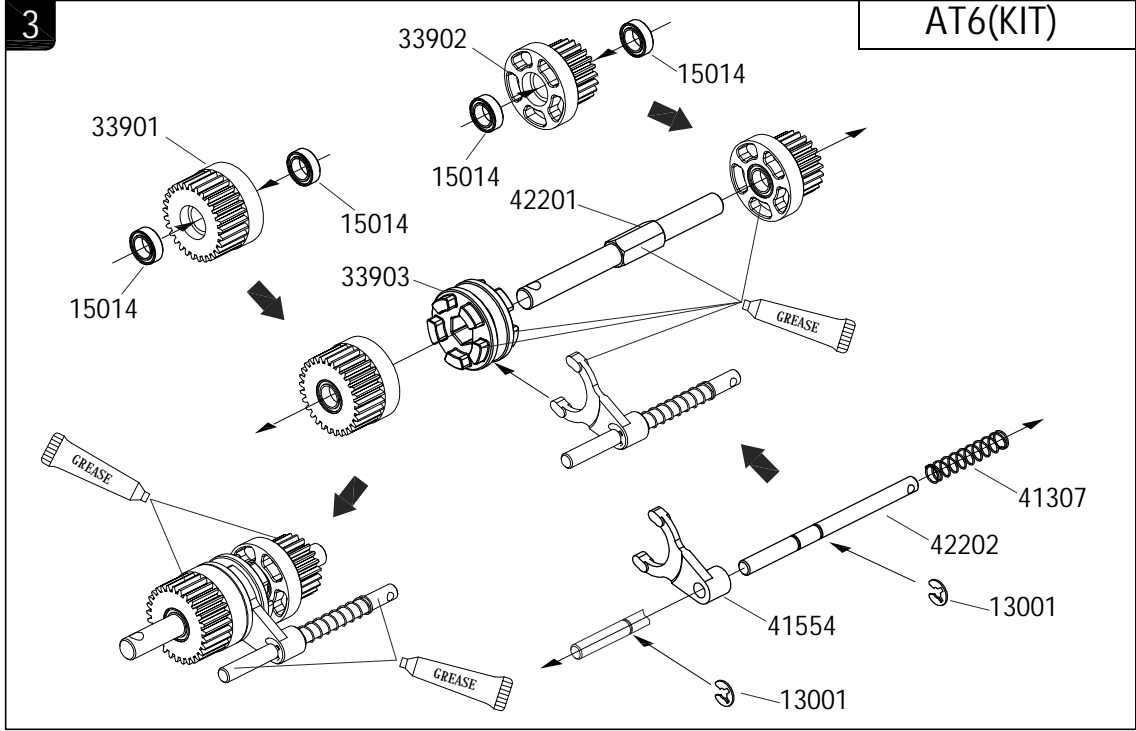


∅5x∅8x2.5 X4

13001



∅3x∅7.8x0.5 X2



4

15012



∅5x∅10x4 X5

11207



M3x10 X4

42203

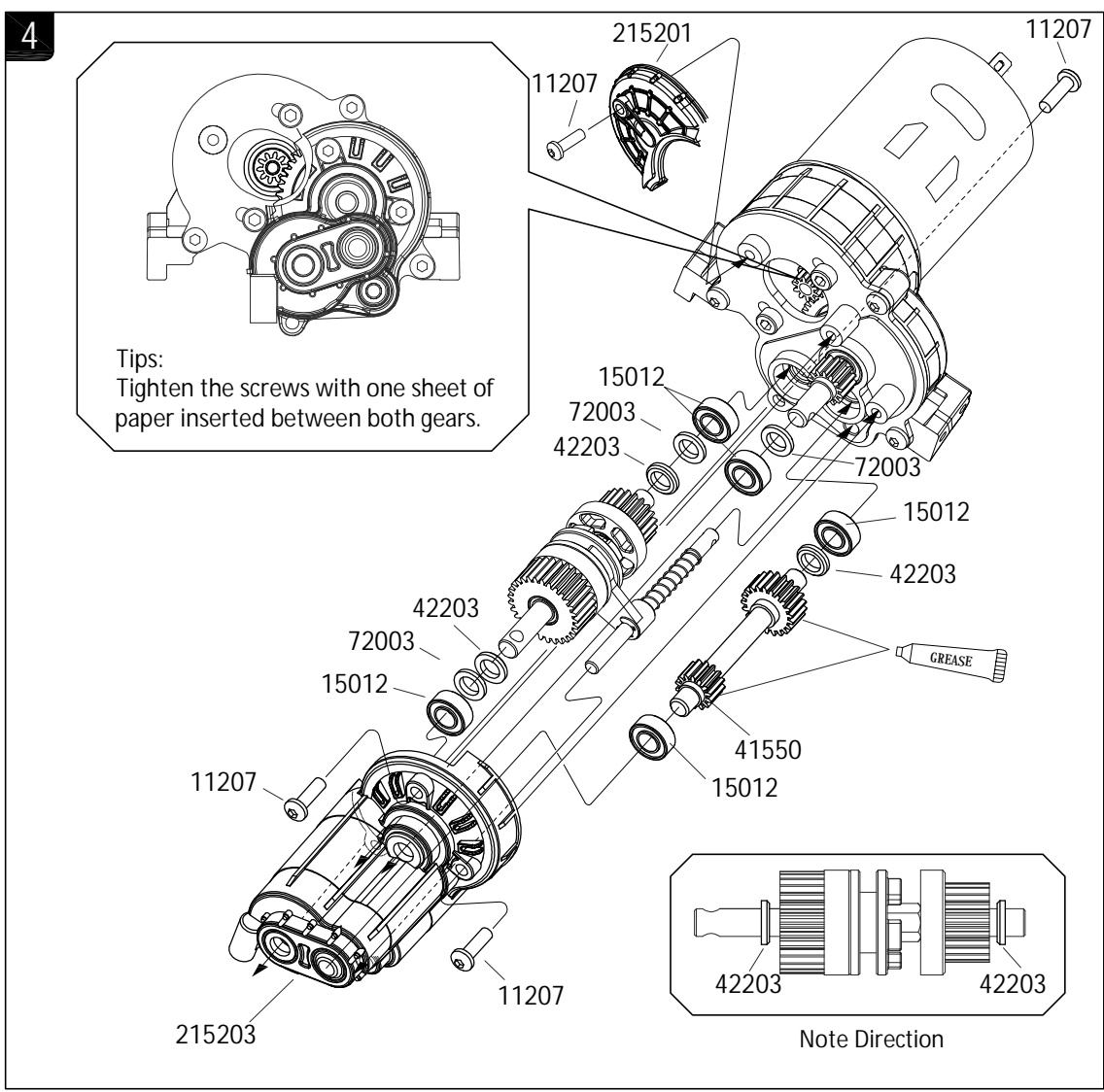


∅5.1x∅8x1.5 X3

72003



∅5x∅8x0.5 X3

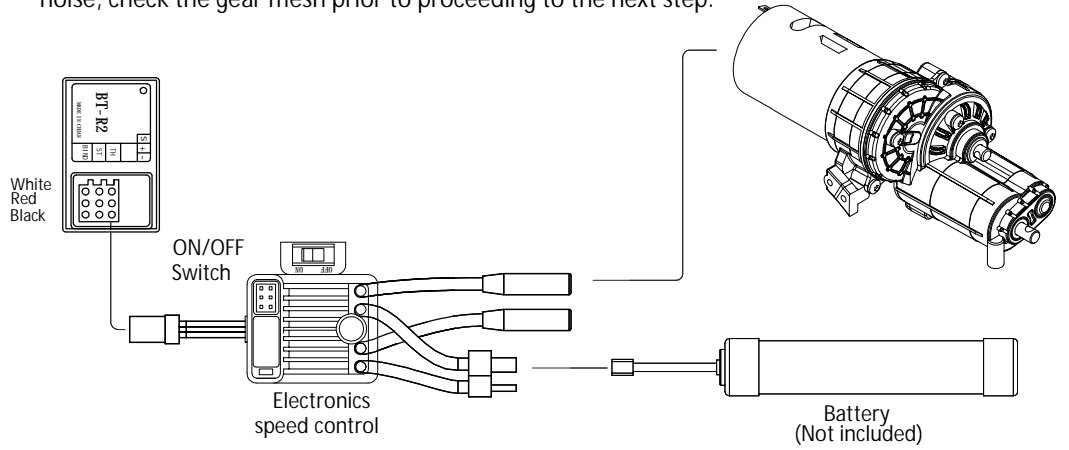


5

AT6(KIT)

Tips:


Test the gear mesh by connecting the ESC to the motor/gearbox assembly. If the gearbox is not operating smoothly or is creating excess noise, check the gear mesh prior to proceeding to the next step.





6

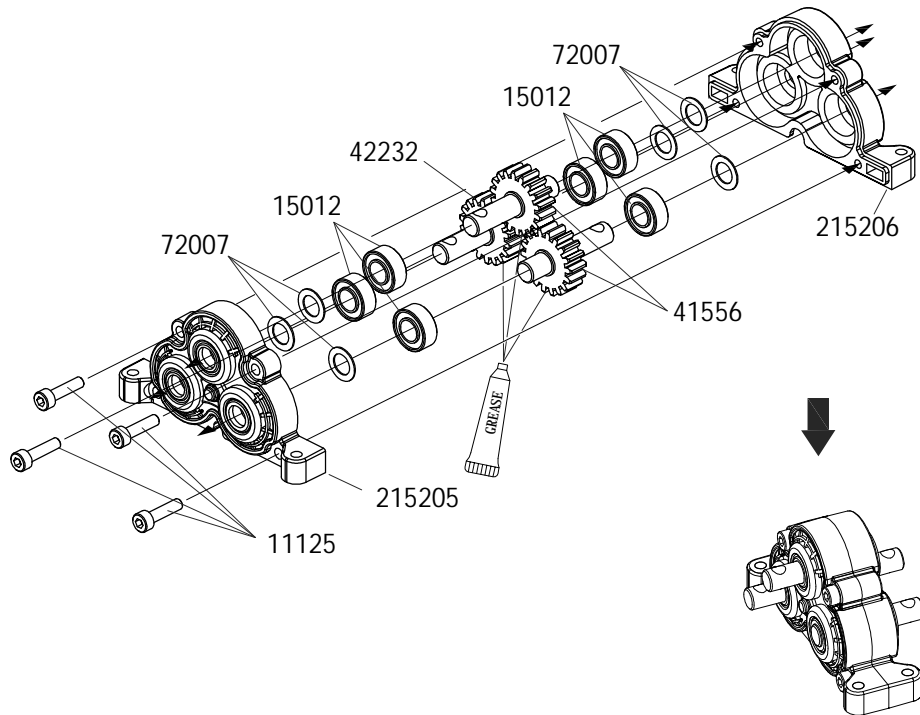
AT6(KIT)

BAG(C)


11125 
M2.5x10 X4

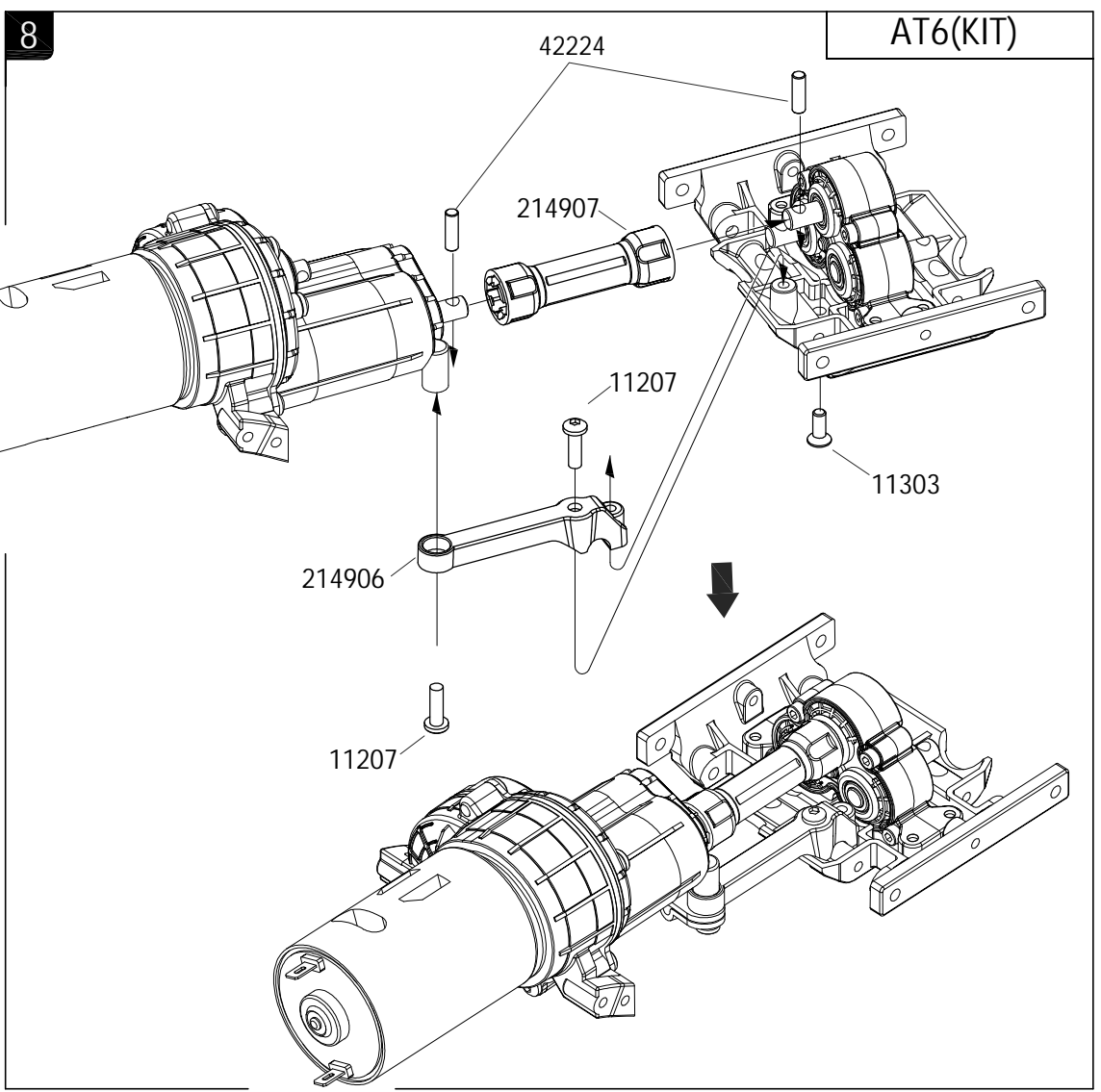
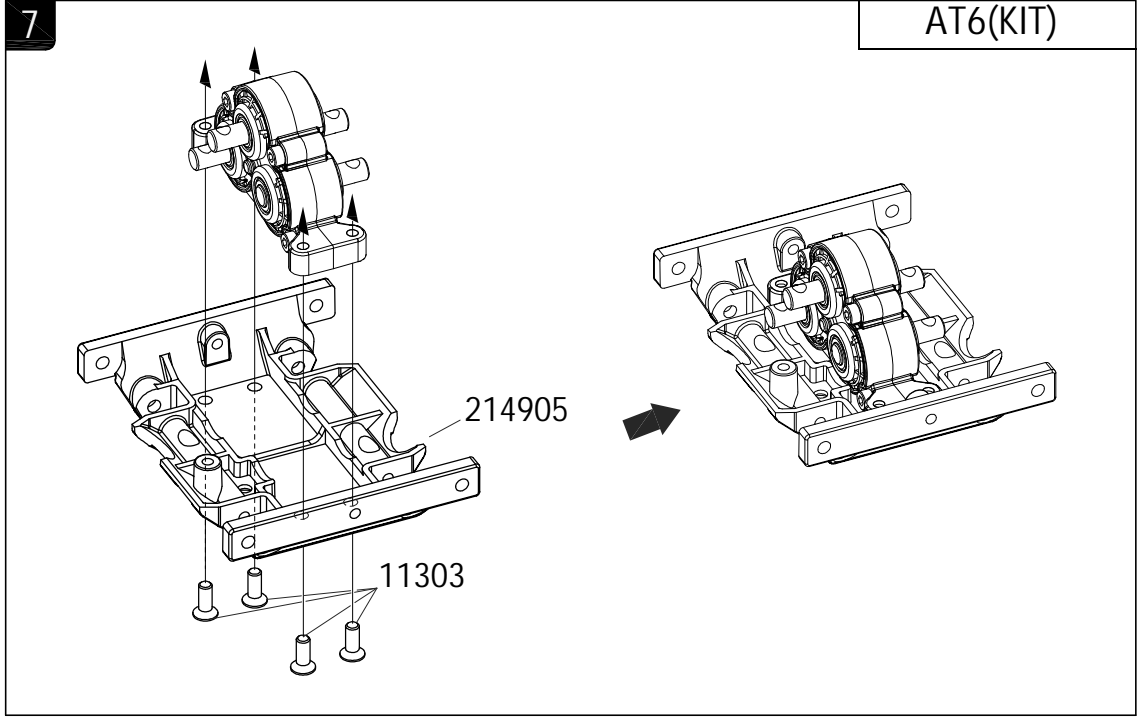
15012 
ø5xø10x4 X6


72007 
ø5xø8x0.3 X6




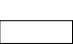
BAG(CC)

11303 
M3x8 X4



11303 
M3x8 X1






11207 
M3x10 X2

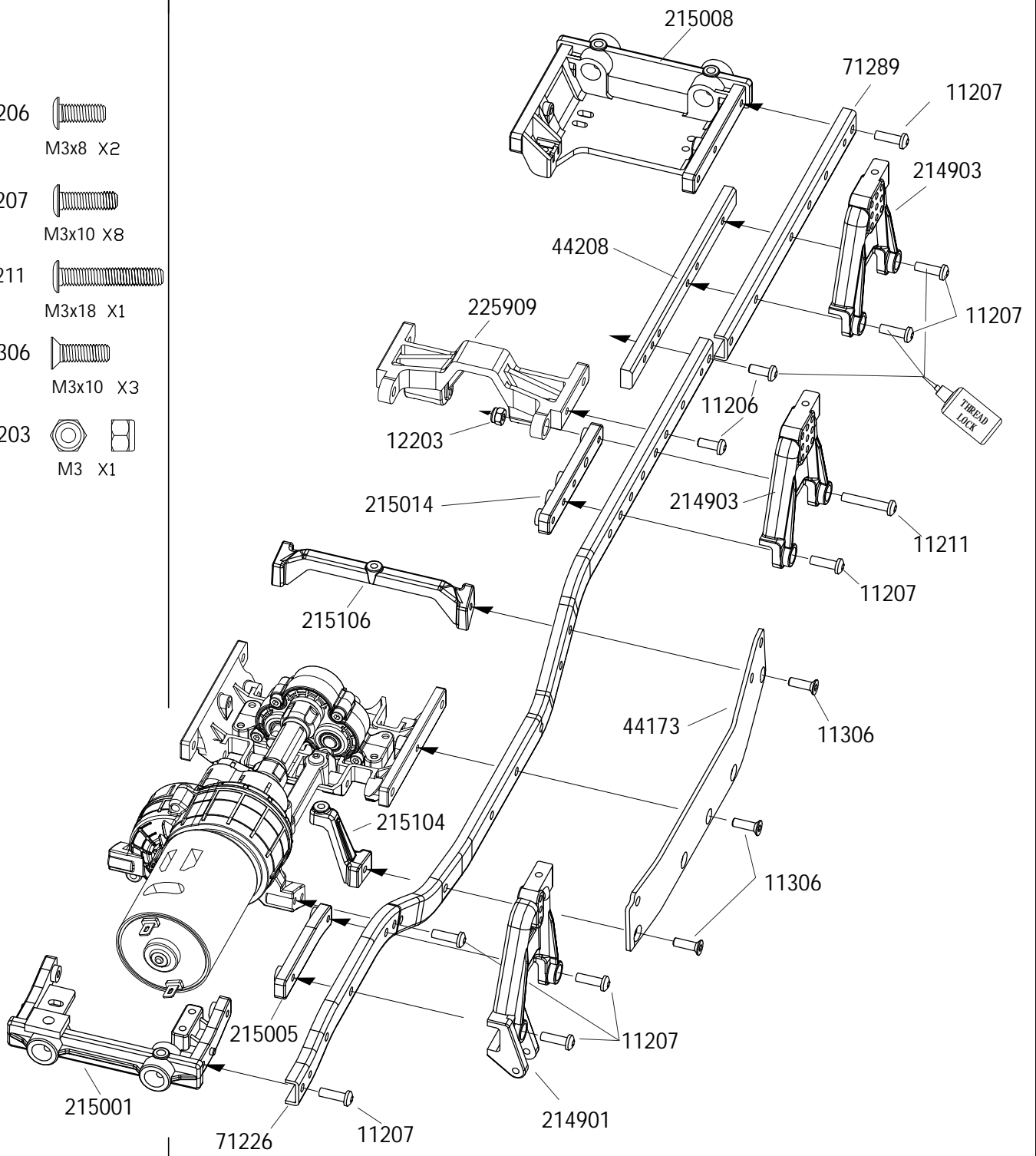
42224 
Ø3x10.8 X2

9

AT6(KIT)

BAG(CC)






- 11206  M3x8 X2
- 11207  M3x10 X8
- 11211  M3x18 X1
- 11306  M3x10 X3
- 12203  M3 X1

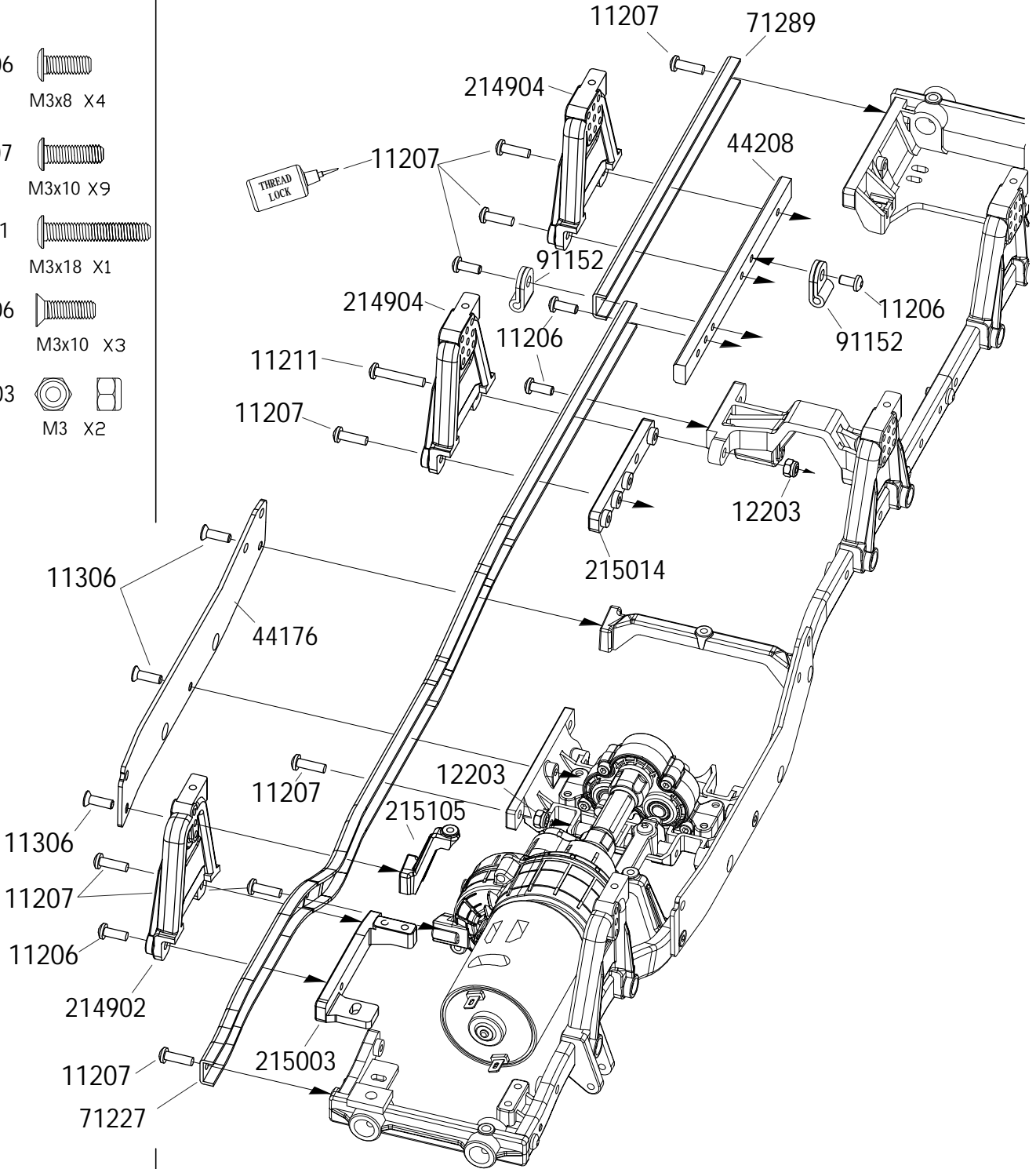


10

AT6(KIT)

BAG(CC)


- 11206  M3x8 X4
- 11207  M3x10 X9
- 11211  M3x18 X1
- 11306  M3x10 X3
- 12203  M3 X2


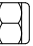


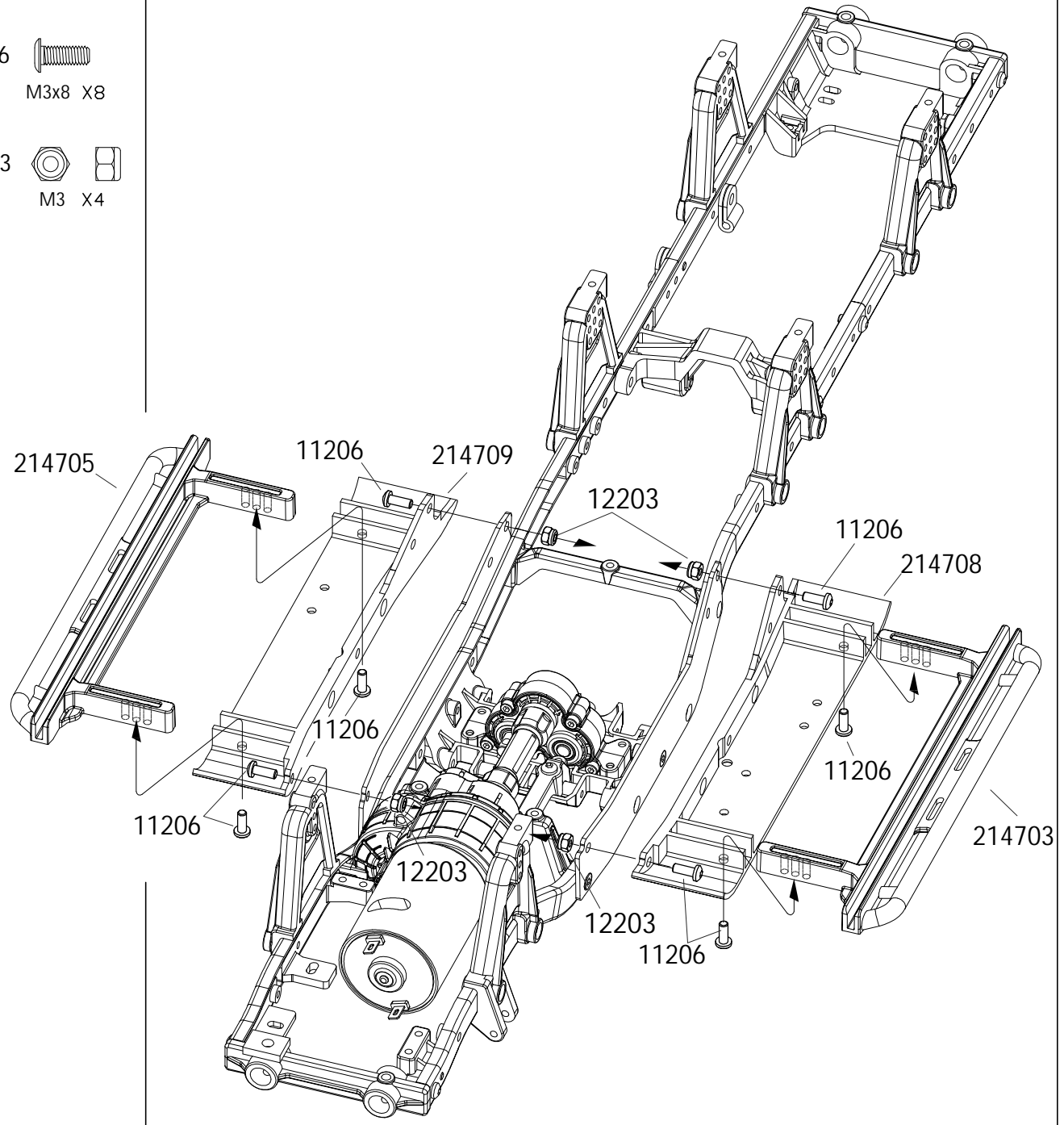
11

AT6(KIT)

BAG(CC)

11206 
M3x8 X8

12203  
M3 X4

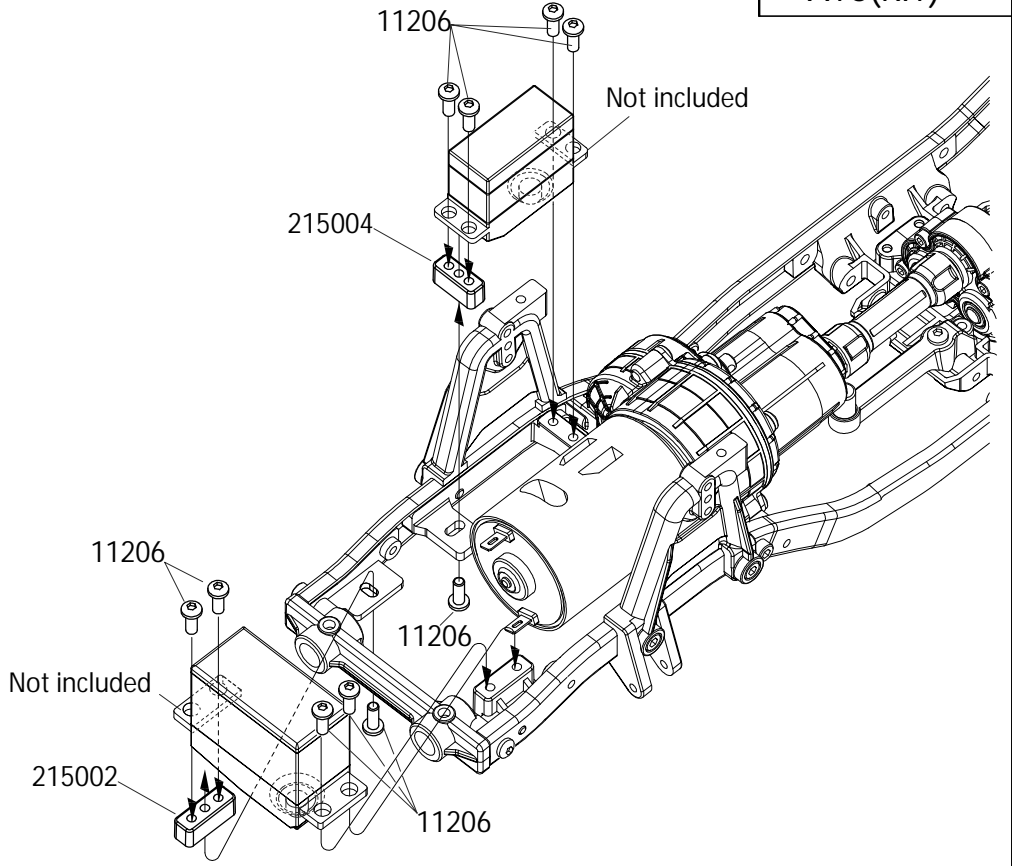



BAG(CC)

12


AT6(KIT)


11206 
M3x8 X10



11206 
M3x8 X6

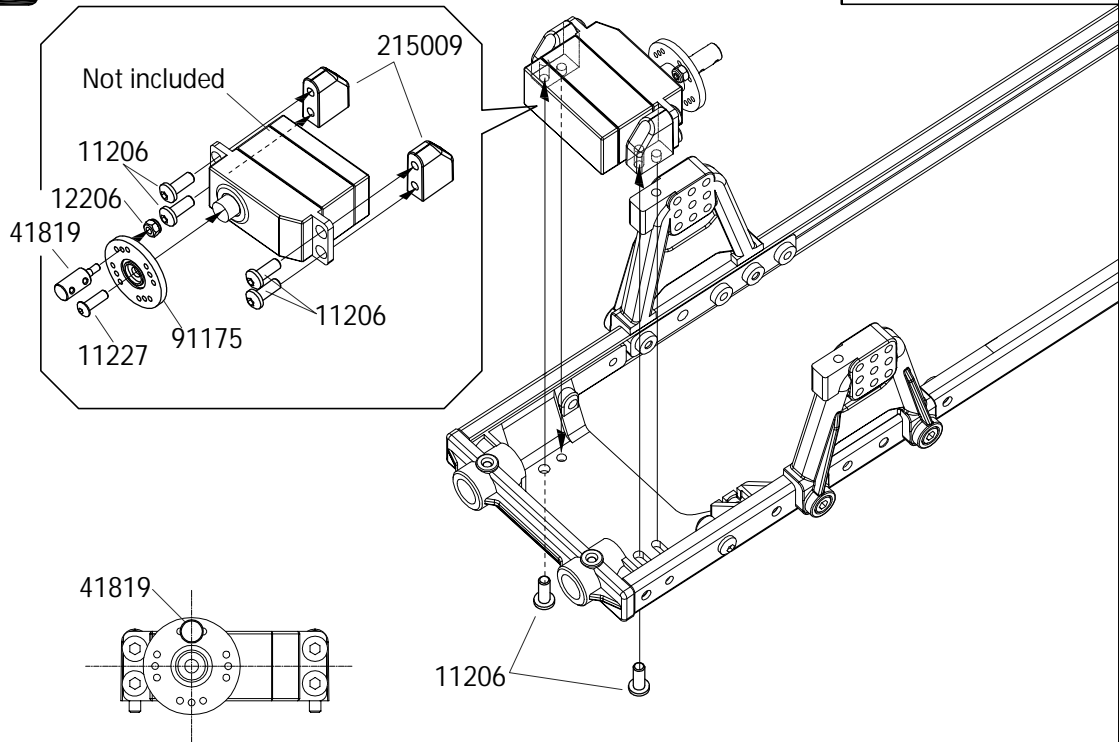
V4.0

11227 
M2.5x8 X1

12206 
M2 X1

13




AT6(KIT)

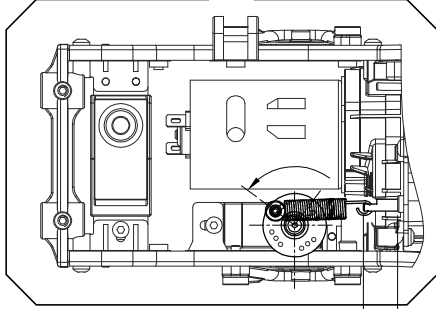
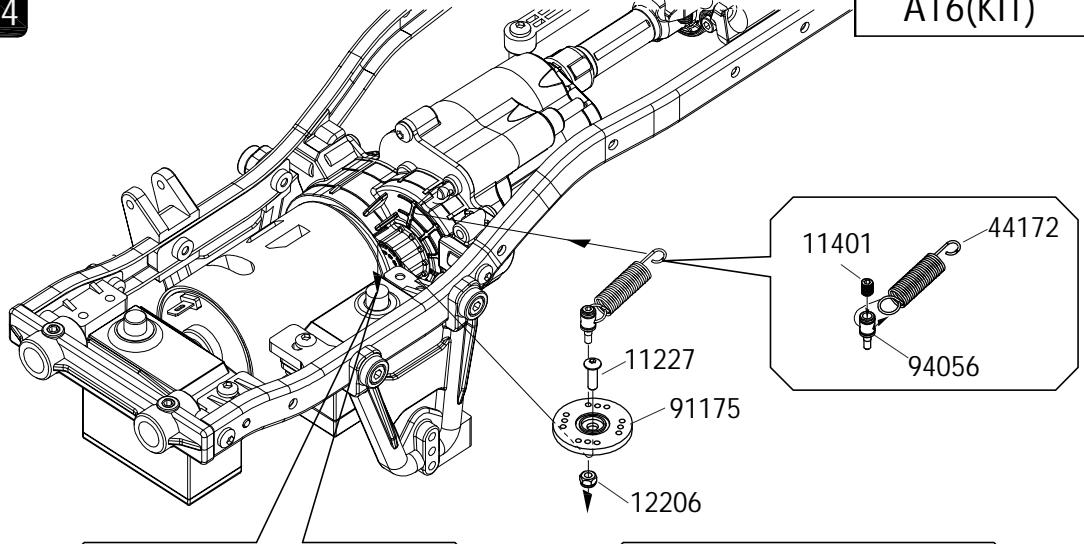


V4.0

14

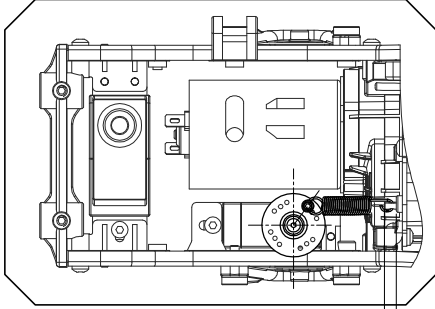
AT6(KIT)

- 11227  M2.5x8 X1
- 12206  M2 X1
- 11401  M3x4 X1



Fast

9





Slow

4



BAG(CC)

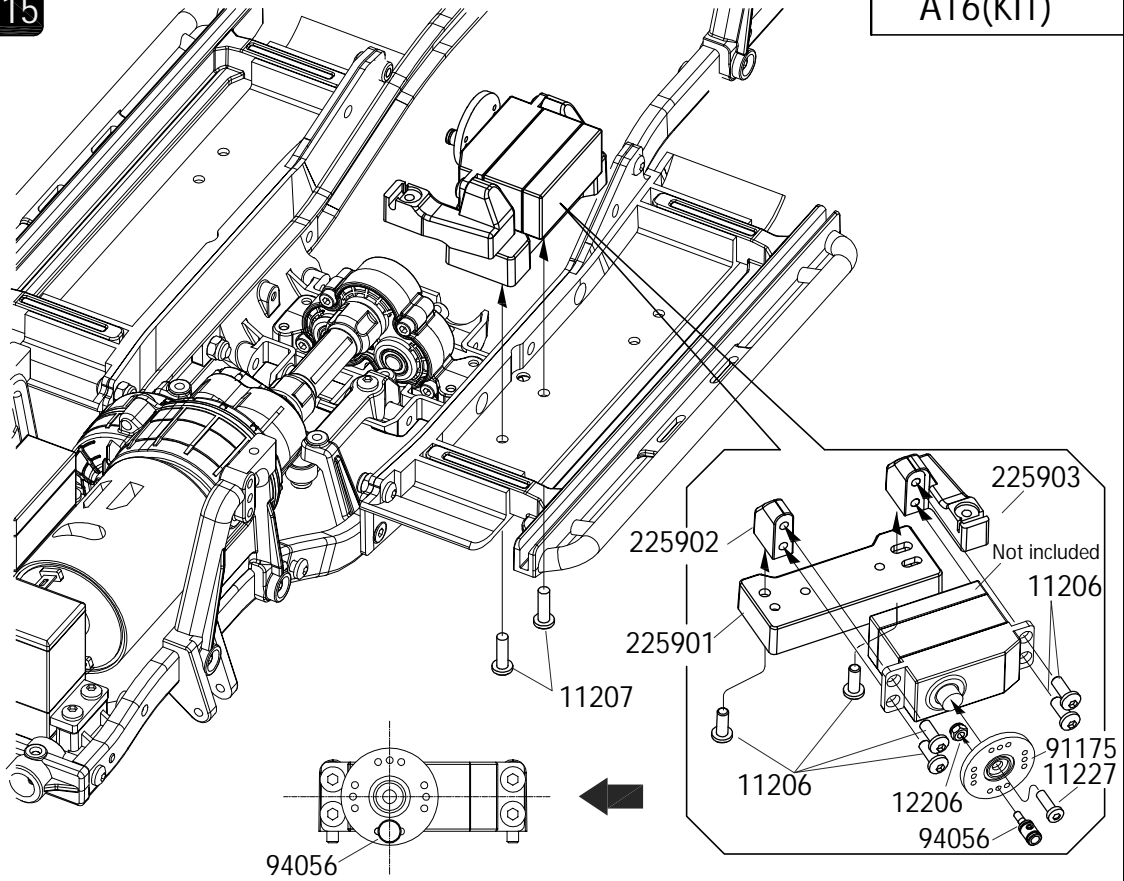
15

AT6(KIT)

- 11206  M3x8 X6
- 11207  M3x10 X2

V4.0

- 11227  M2.5x8 X1
- 12206  M2 X1




94056

16

AT6(KIT)

BAG(B)

13004  |
 ø2.0xø5.5x0.4 X12

ø6.5xø2.5xø2



17007 X18

ø7xø5xø1



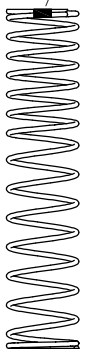
17008 X6



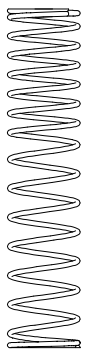
41336 X6



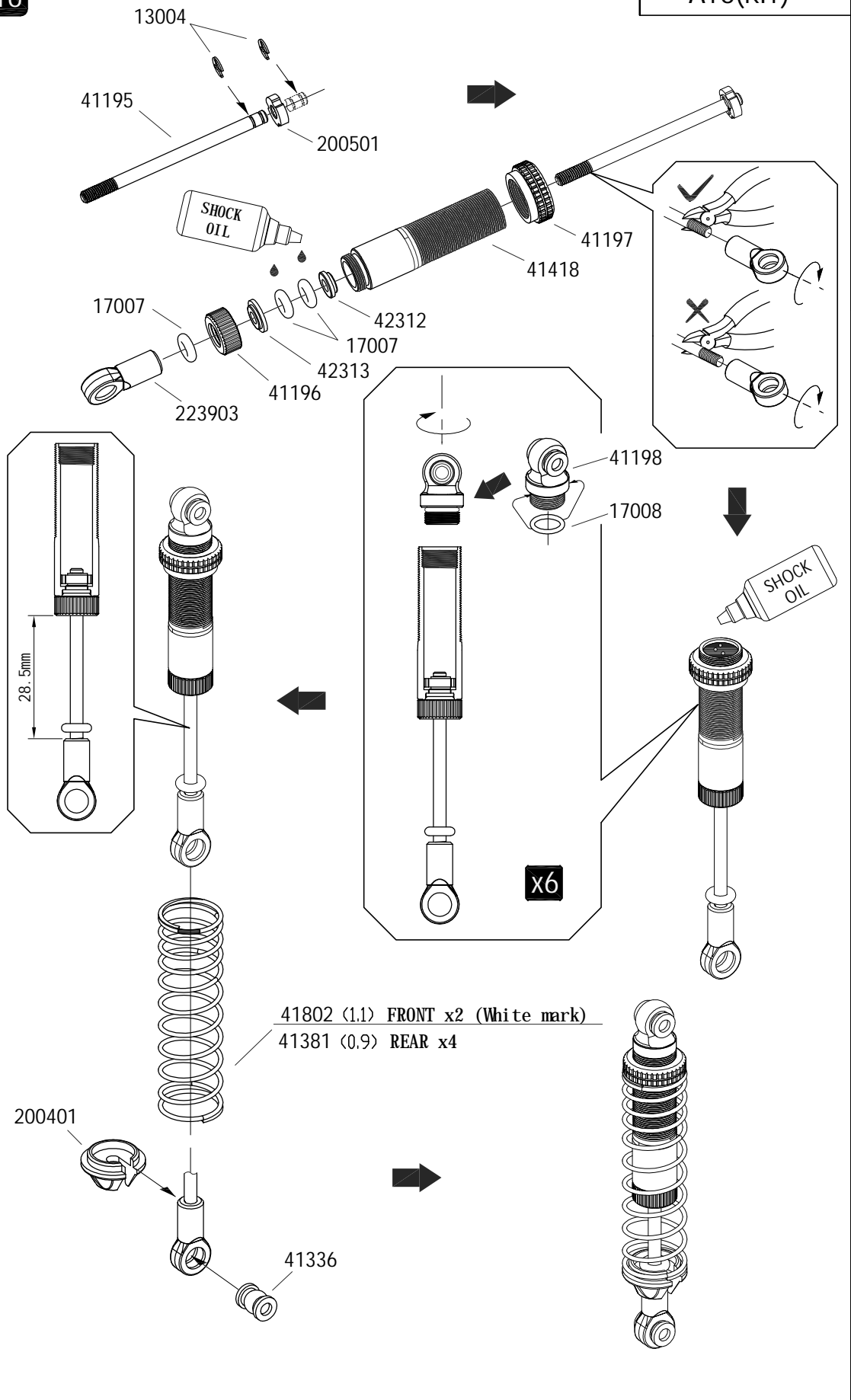
White mark



41802 X2(1.1)




41381 X4(0.9)



41802 (1.1) FRONT x2 (White mark)
 41381 (0.9) REAR x4

AT6(KIT)

11136 

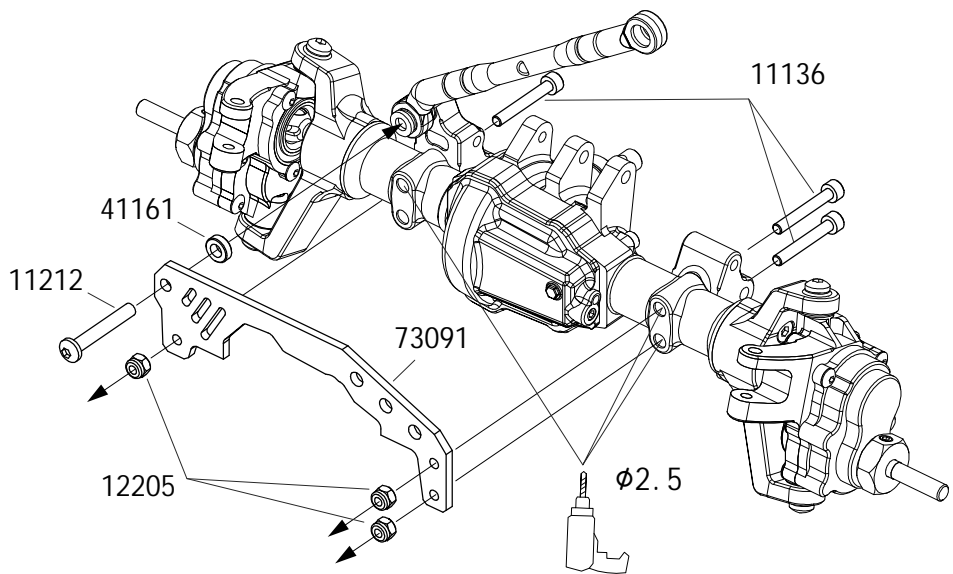
M2.5x18 X3

11212 

M3x20 X1


12205  

M2.5 X3



FRONT AXLE

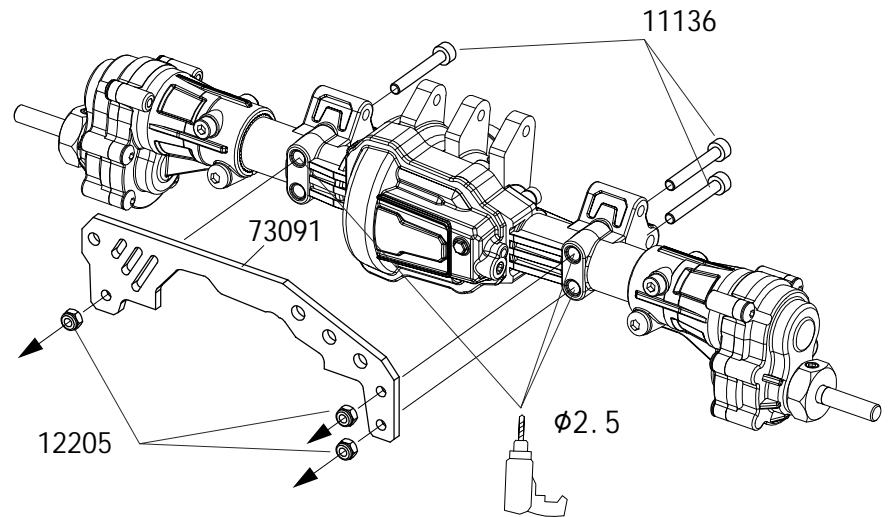
AT6(KIT)

11136 



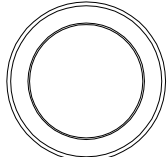

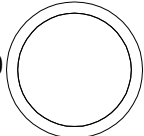
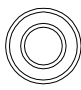


M2.5x18 X3

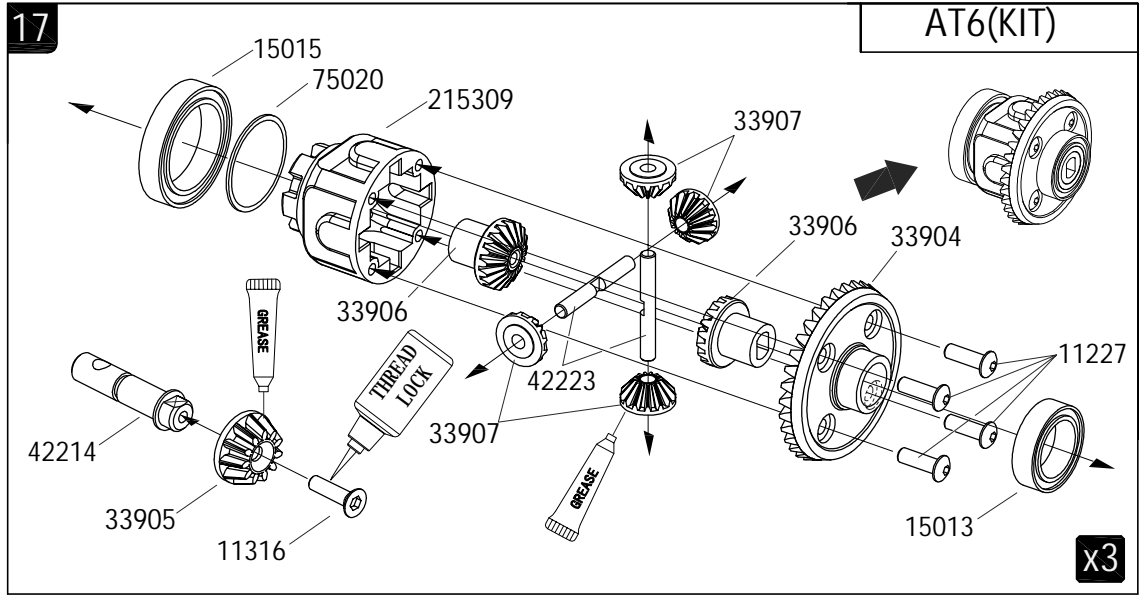
12205  





M2.5 X3

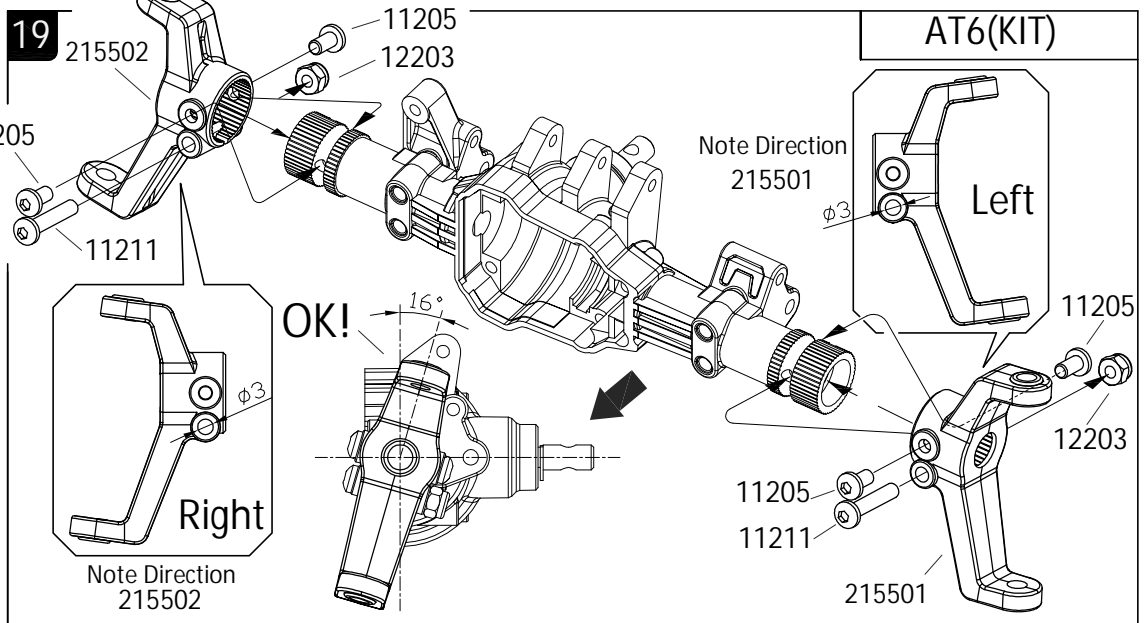
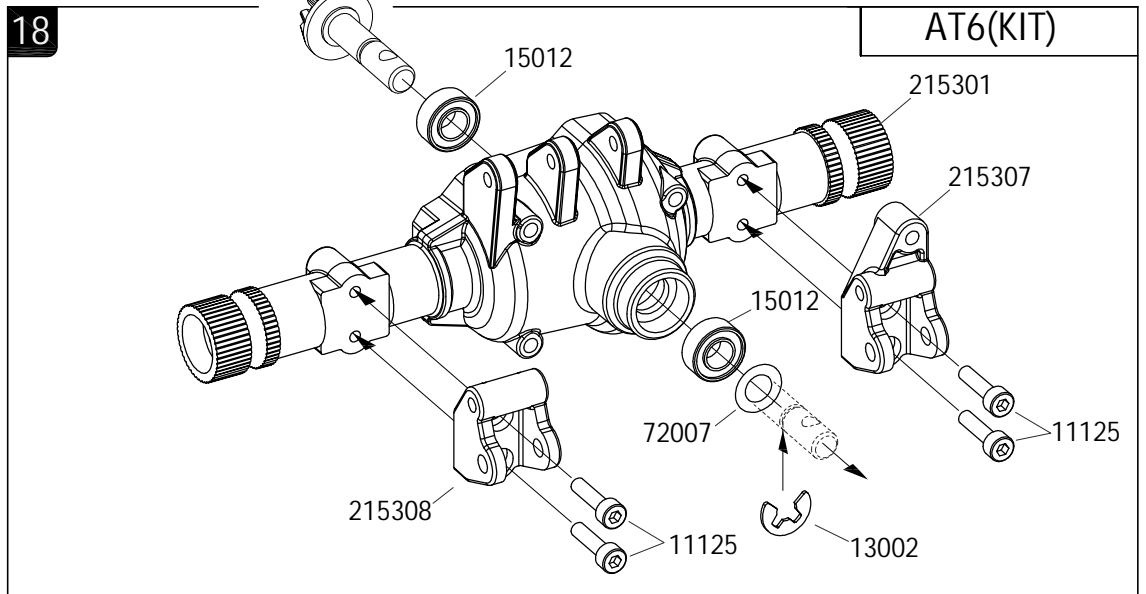


REAR AXLE

- BAG(E)**
- 11316  M2.5x10 X3
 - 11227  M2.5x8 X12
 - 15015  $\phi 15 \times \phi 21 \times 4$ X3
 - 15013  $\phi 10 \times \phi 15 \times 4$ X3
 - 75020  $\phi 15 \times \phi 18 \times 0.2$ X3
 - 15012  $\phi 5 \times \phi 10 \times 4$ X2
 - 13002  $\phi 3.8 \times \phi 9.2 \times 0.6$ X1
 - 72007  $\phi 5 \times \phi 8 \times 0.3$ X1




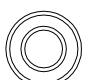

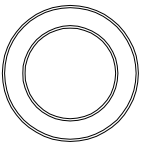



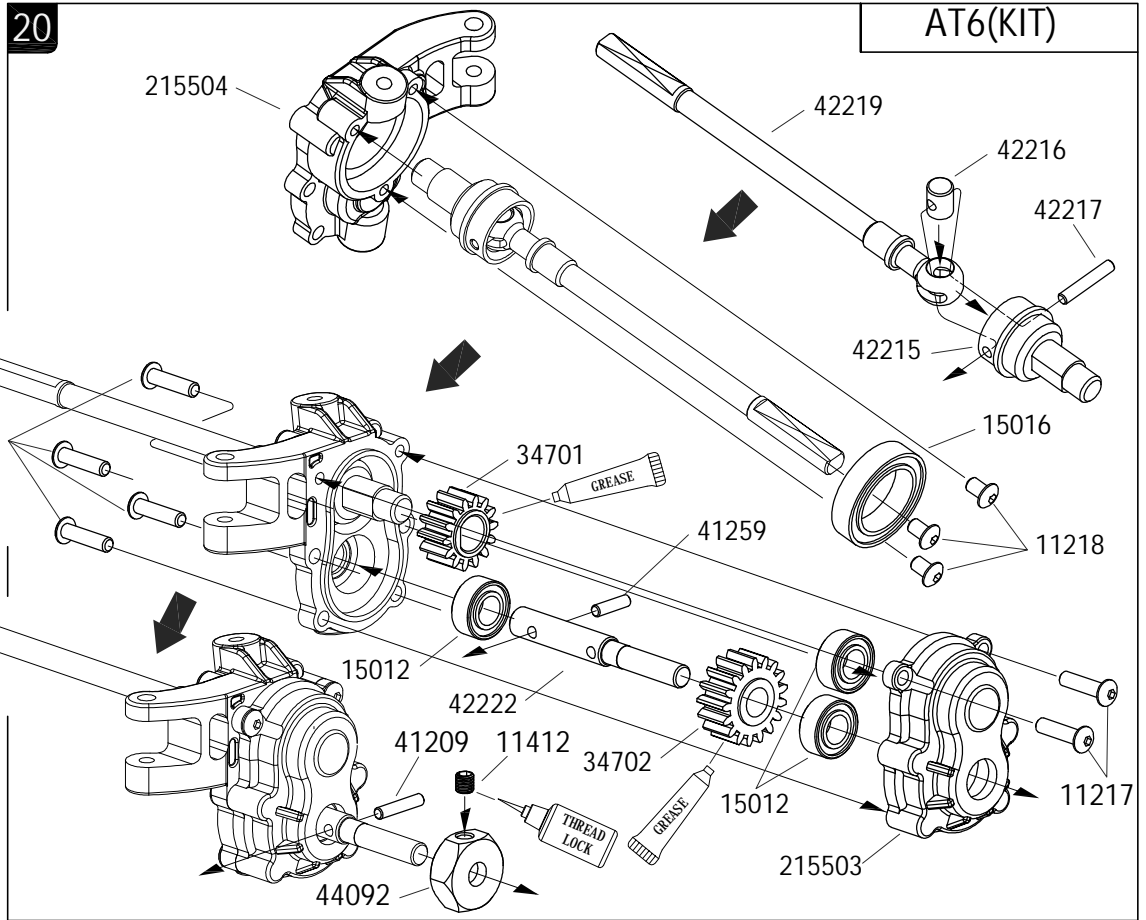
- 11125  M2.5x10 X4
- 11205  M3x6 X4
- 12203  M3 X2
- 11211  M3x18 X2



BAG(E)






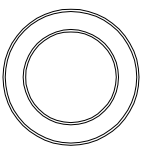

20

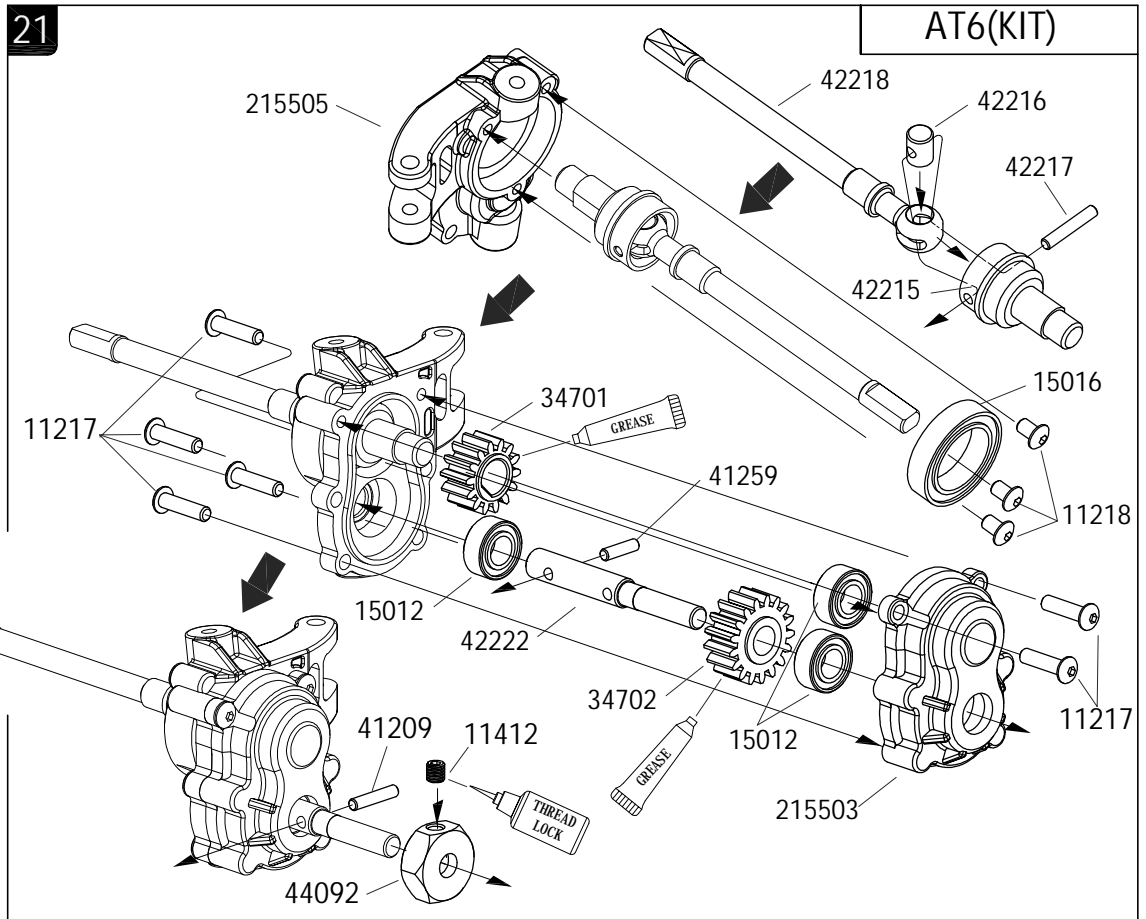
- 11412  M3x3 X1
- 11218  M2.5x4 X3
- 11217  M2.5x10 X6
- 15012   $\phi 5 \times \phi 10 \times 4 \times 3$
- 15016   $\phi 12 \times \phi 18 \times 4 \times 1$



AT6(KIT)

21

- 11412  M3x3 X1
- 11218  M2.5x4 X3
- 11217  M2.5x10 X6
- 15012   $\phi 5 \times \phi 10 \times 4 \times 3$
- 15016   $\phi 12 \times \phi 18 \times 4 \times 1$



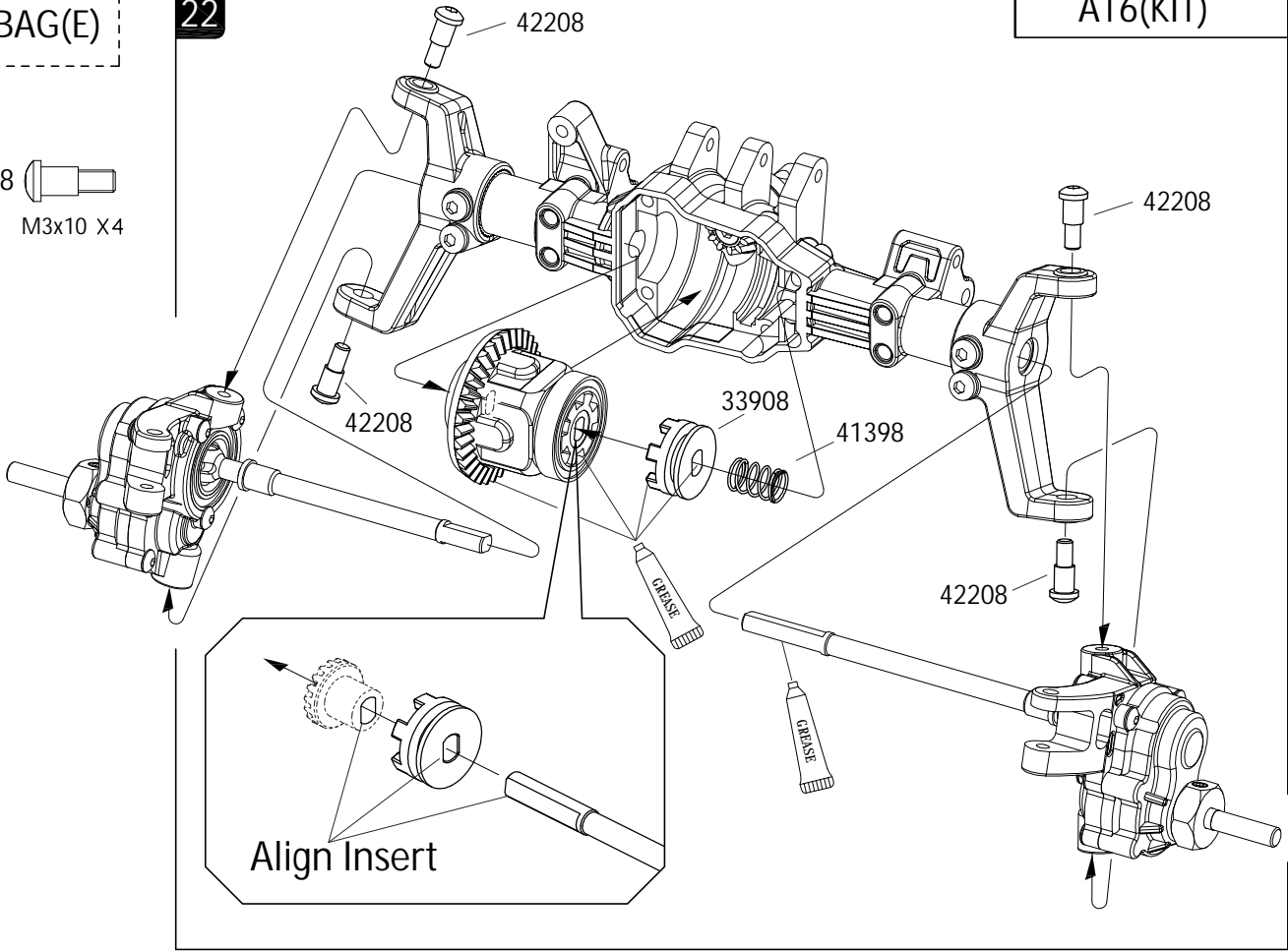
AT6(KIT)

BAG(E)

22

AT6(KIT)

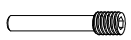
42208
M3x10 X4



23

AT6(KIT)

11412
M3x3 X1

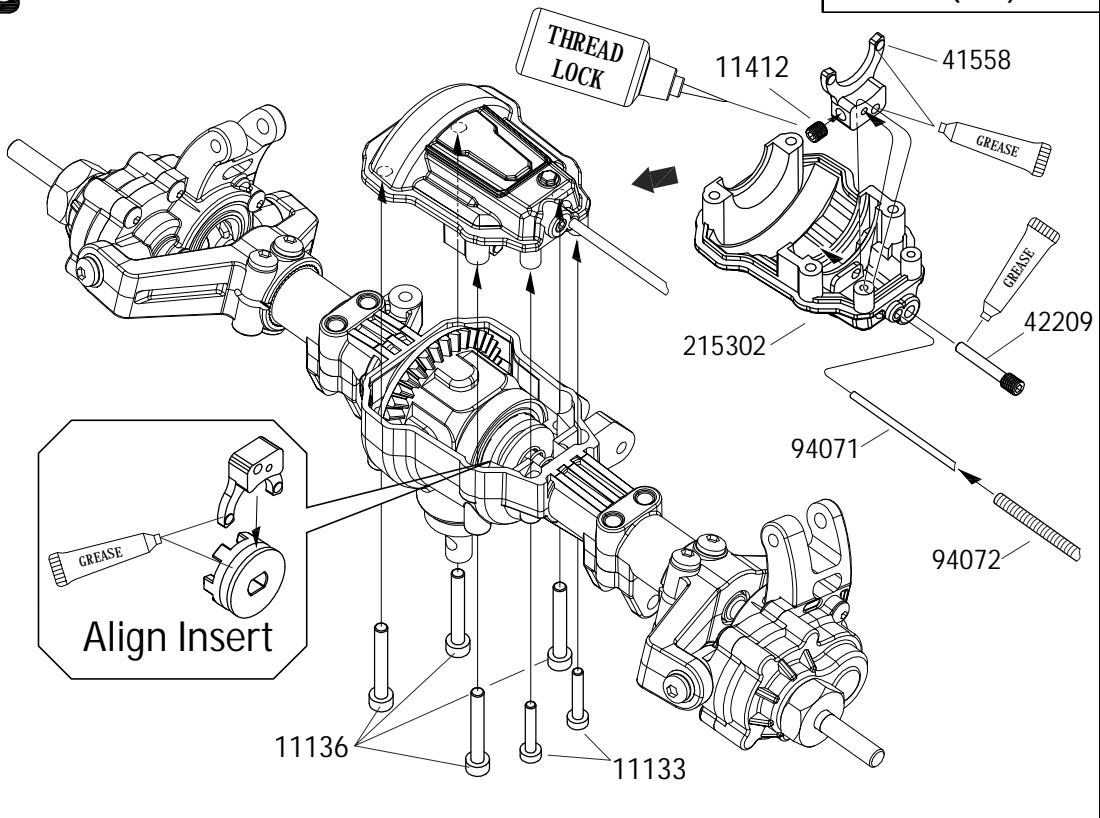


42209 X1

11133
M2x12 X2




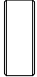





11136
M2.5x18 X4

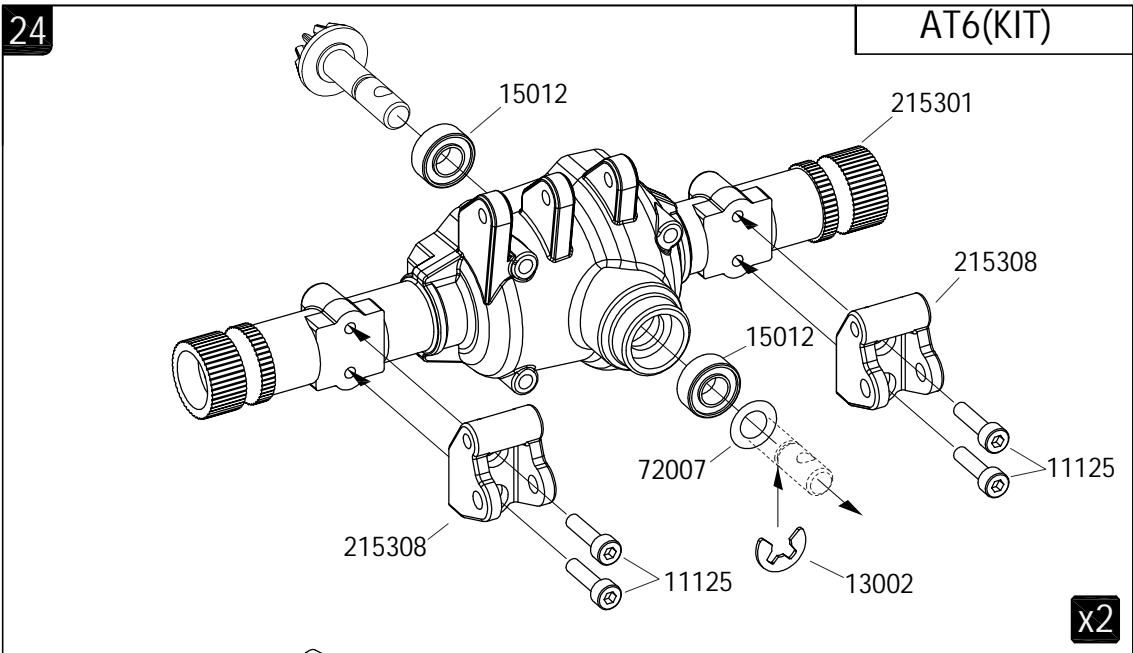


BAG(E)

24






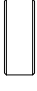
AT6(KIT)

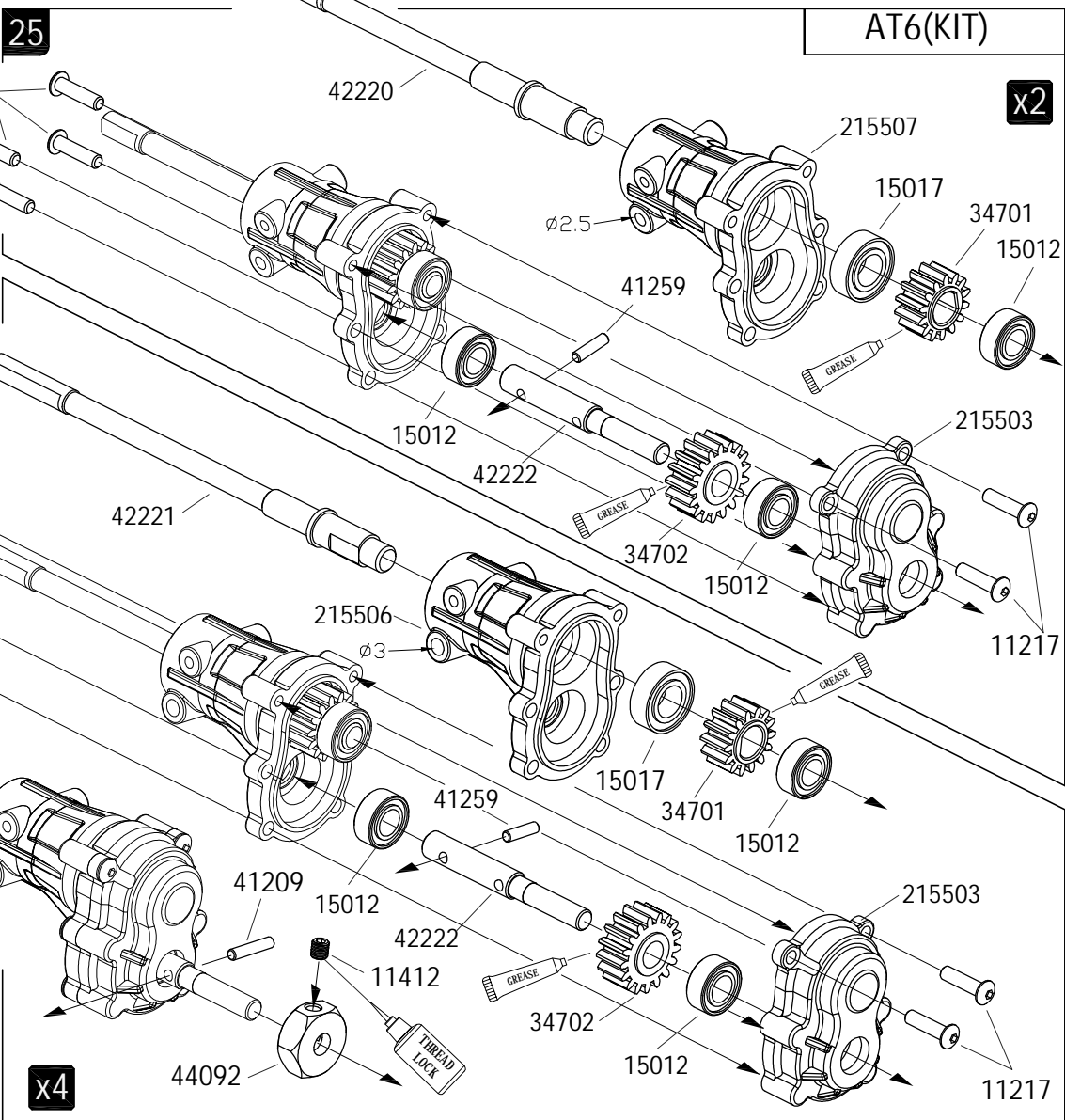
- 15012  
 $\varnothing 5 \times \varnothing 10 \times 4$ X4
- 13002  
 $\varnothing 3.8 \times \varnothing 9.2 \times 0.6$
 X2
- 72007  
 $\varnothing 5 \times \varnothing 8 \times 0.3$ X2
- 11125 
 M2.5x10 X8



25

AT6(KIT)

- 11217 
 M2.5x10 X24
- 15017  
 $\varnothing 6 \times \varnothing 12 \times 4$ X4
- 11412 
 M3x3 X4
- 15012  
 $\varnothing 5 \times \varnothing 10 \times 4$ X12

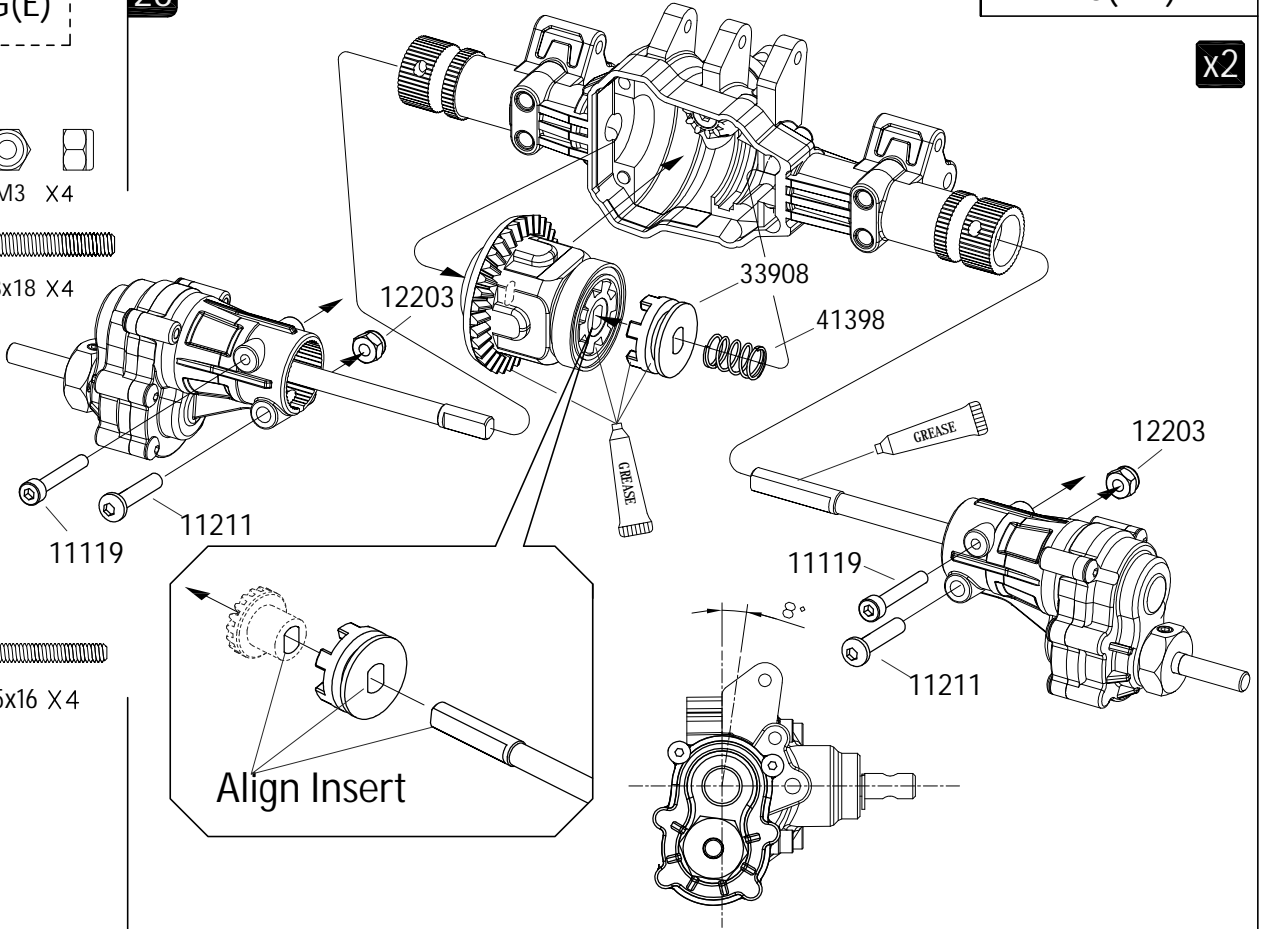
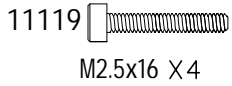
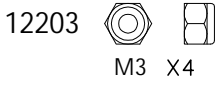


BAG(E)

26

AT6(KIT)

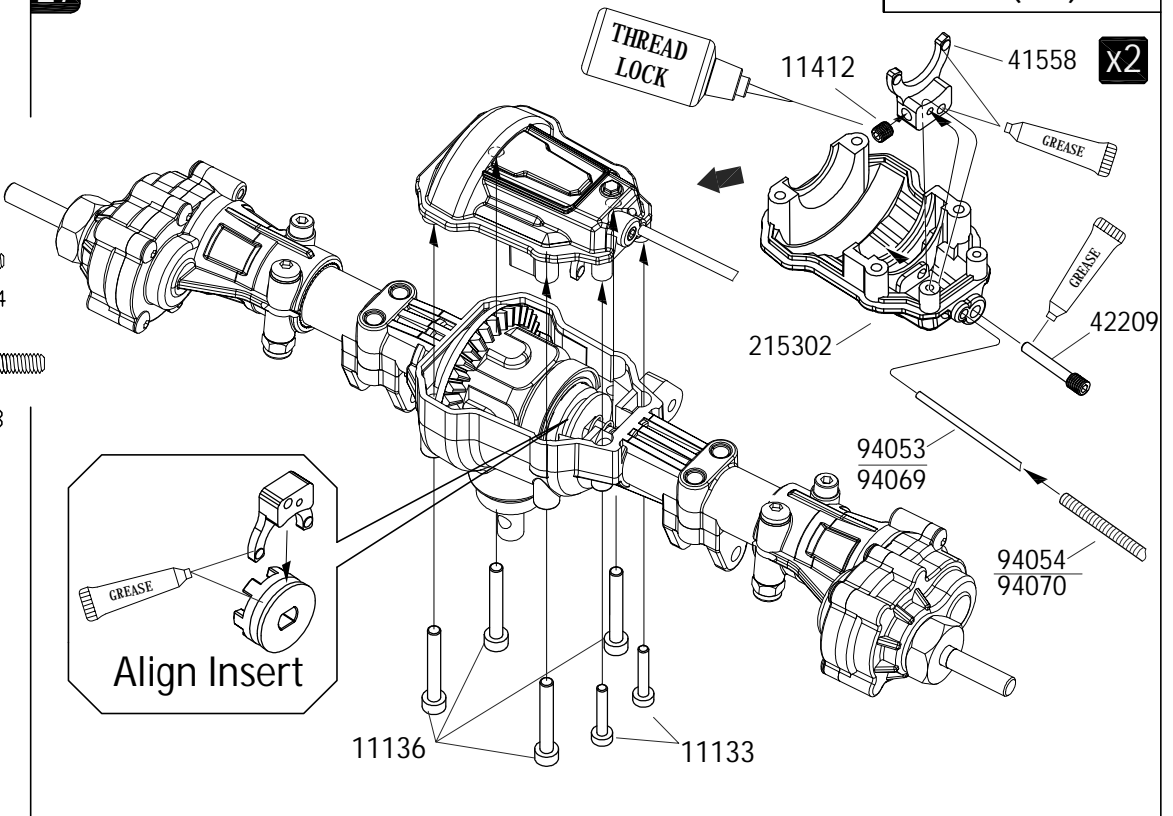
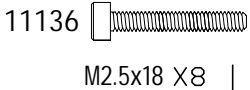
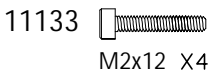
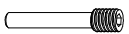
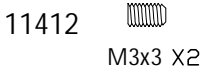
x2



27

AT6(KIT)

x2

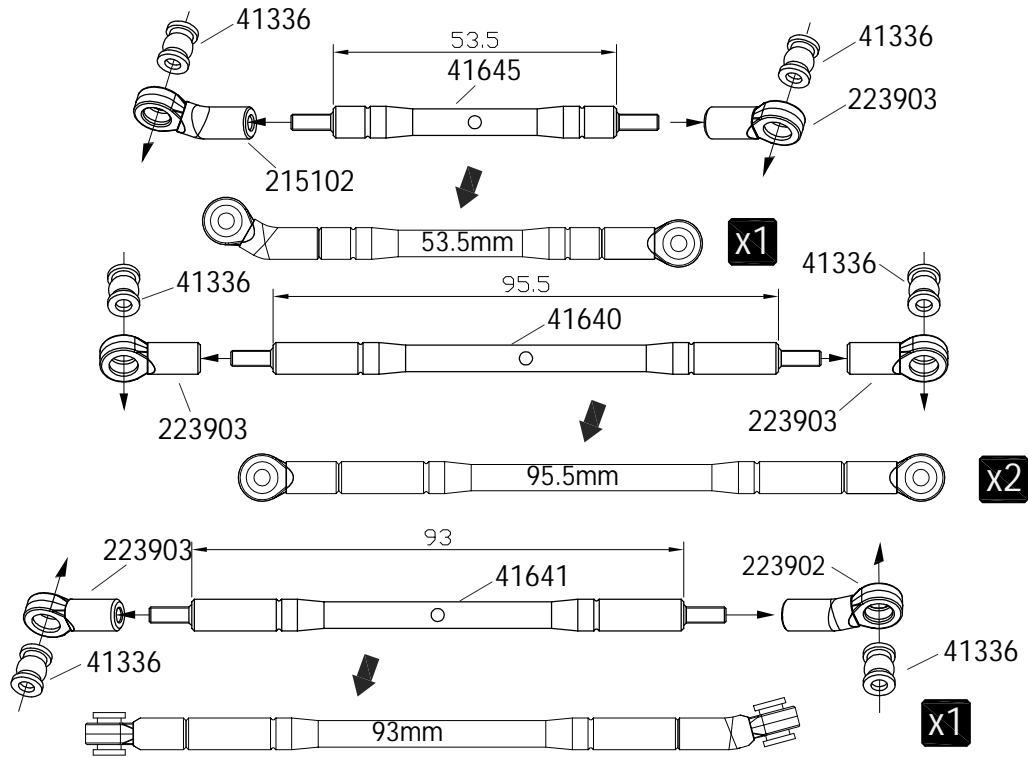
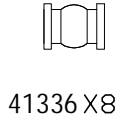


BAG(G)

28

FRONT AXLE

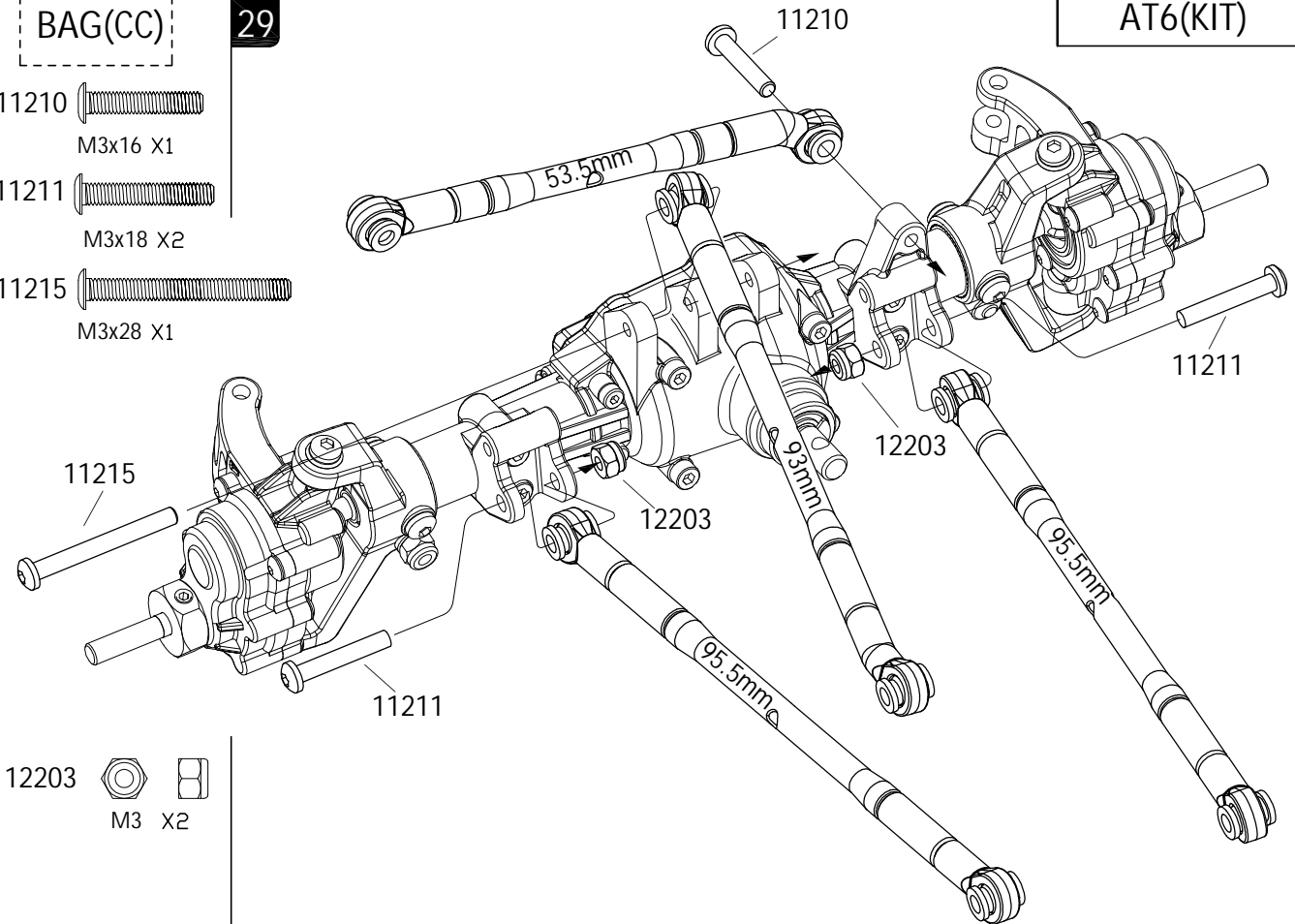
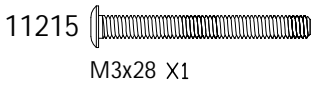
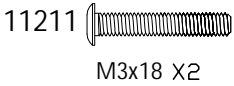
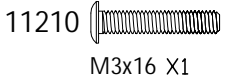
AT6(KIT)



BAG(CC)

29

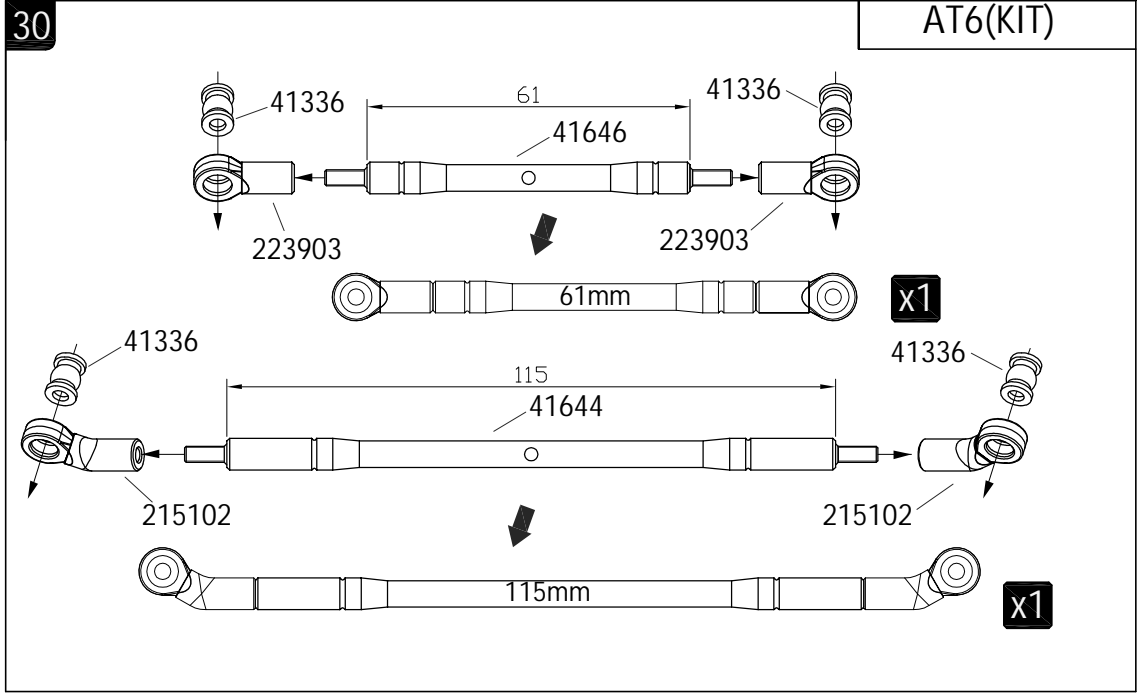
AT6(KIT)



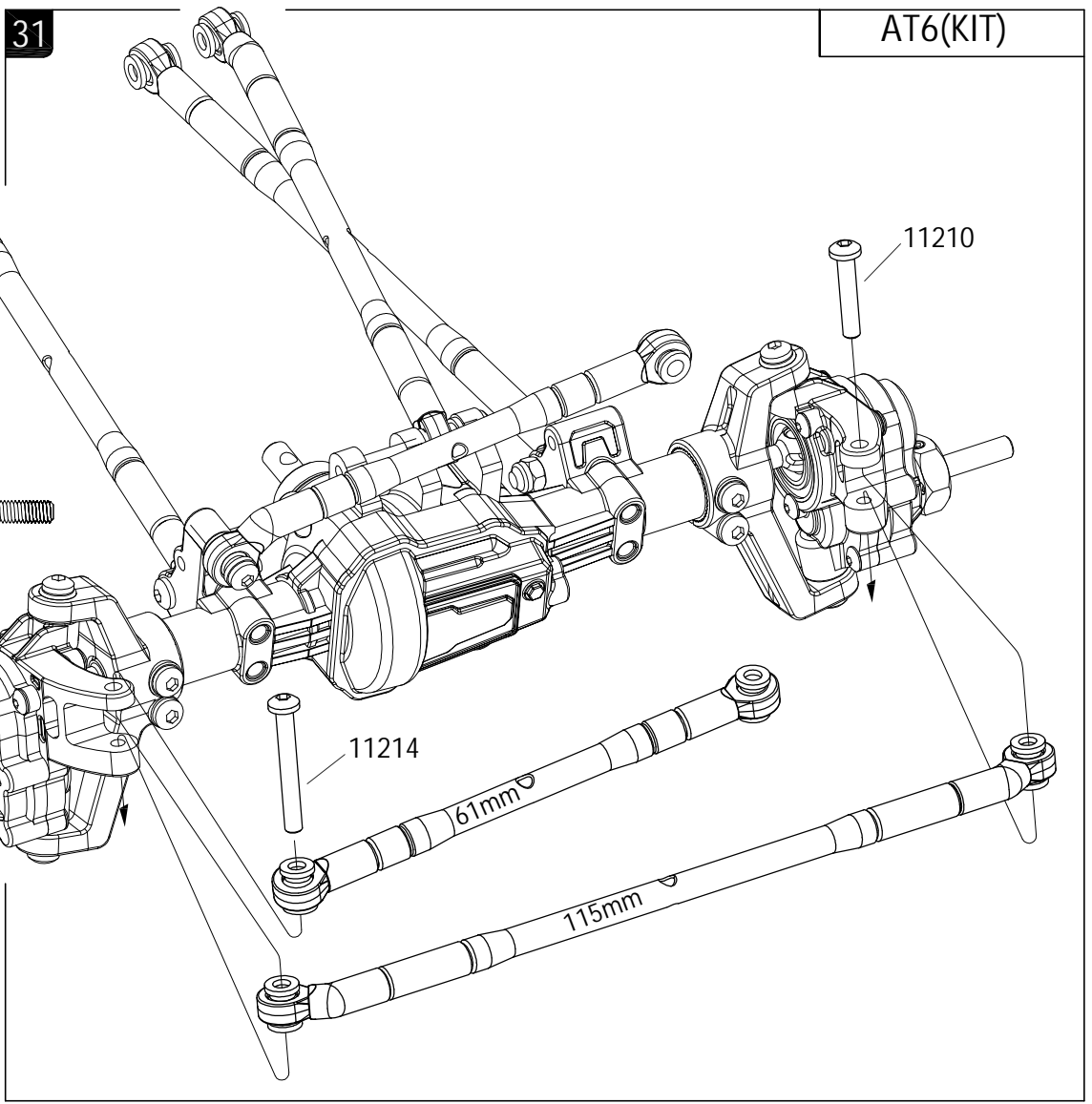
BAG(G)





41336 X4



BAG(CC)



11210 
M3x16 X1

11214 
M3x25 X1

BAG(G)

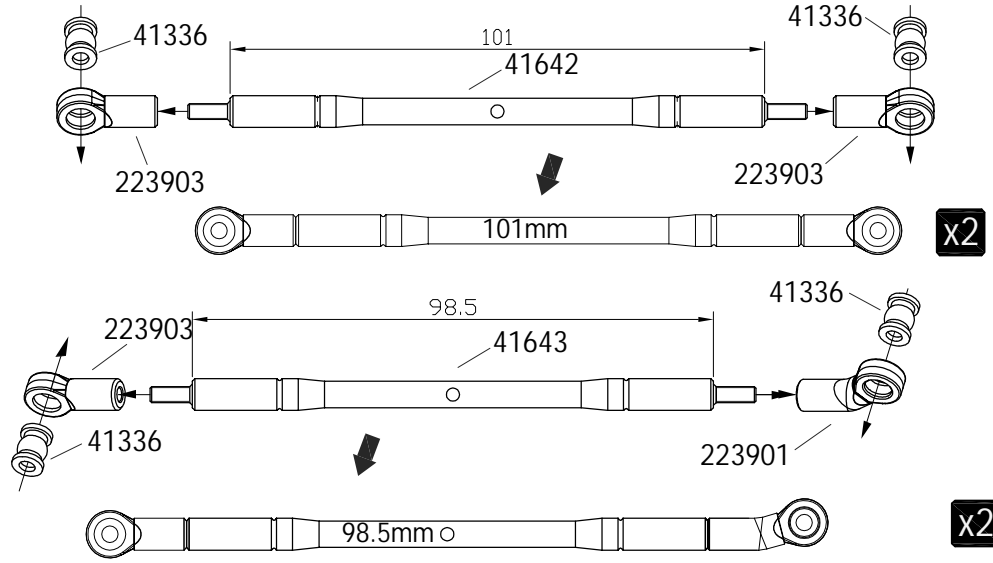
32

AT6(KIT)

MIDDLE AXLE



41336 X8



BAG(CC)

33

AT6(KIT)

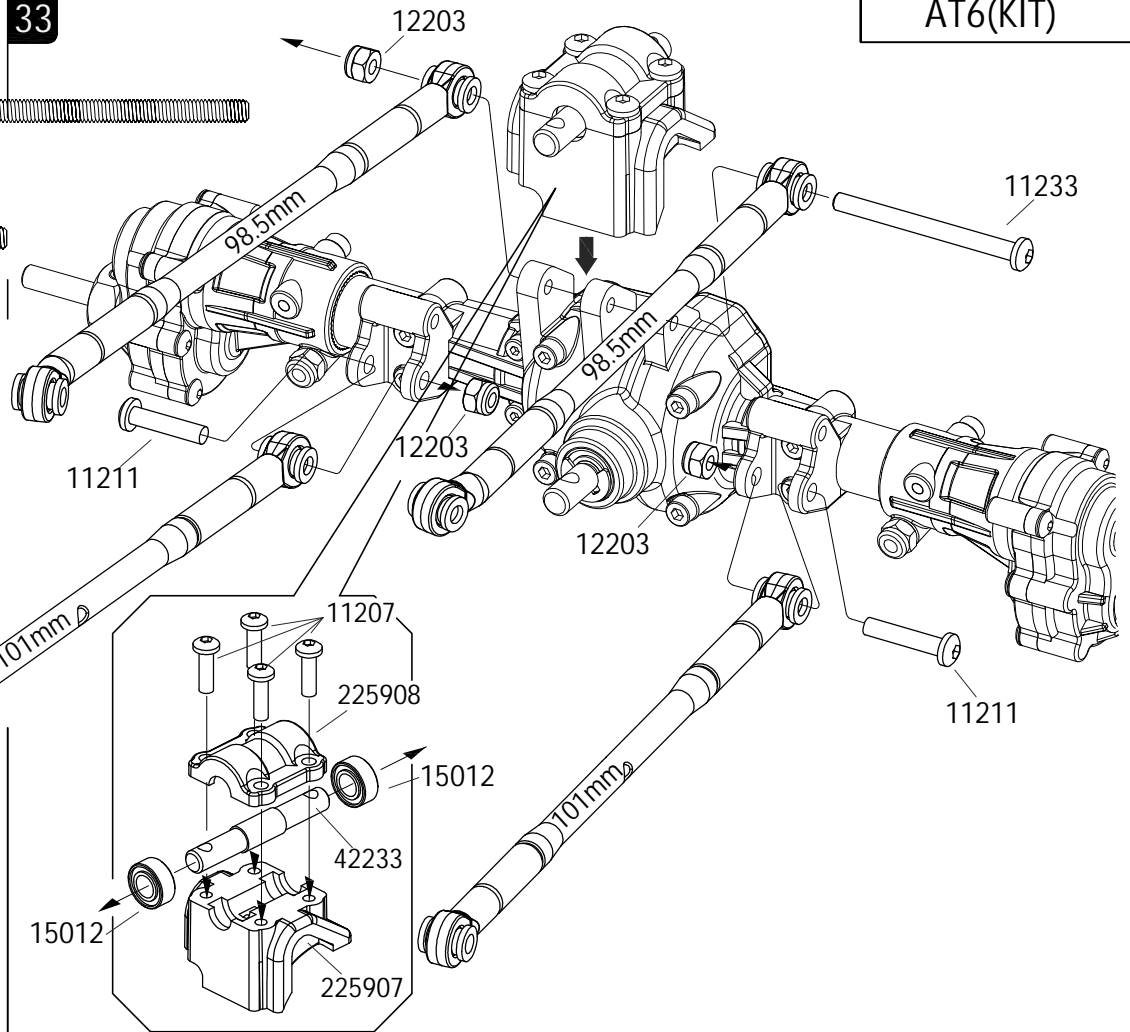
11233 M3x50 X1

11211 M3x18 X2

11207 M3x10 X4

12203 M3 X3

15012 $\varnothing 5 \times \varnothing 10 \times 4$ X2



BAG(G)

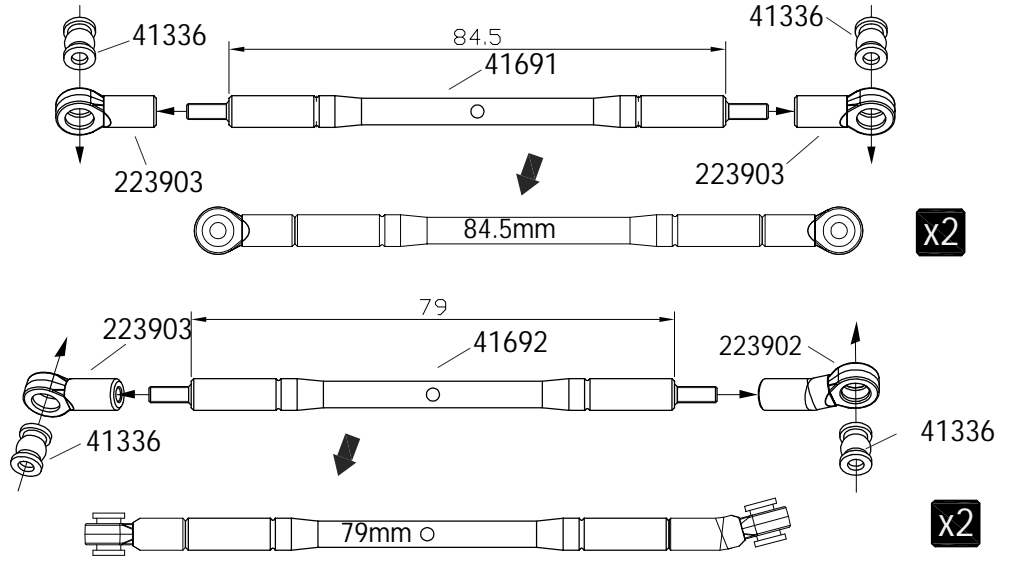
34

AT6(KIT)

REAR AXLE



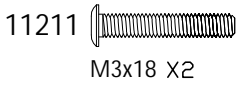
41336 X8



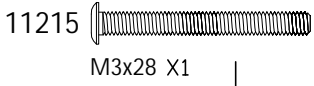
BAG(CC)

35

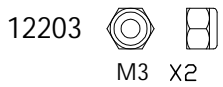
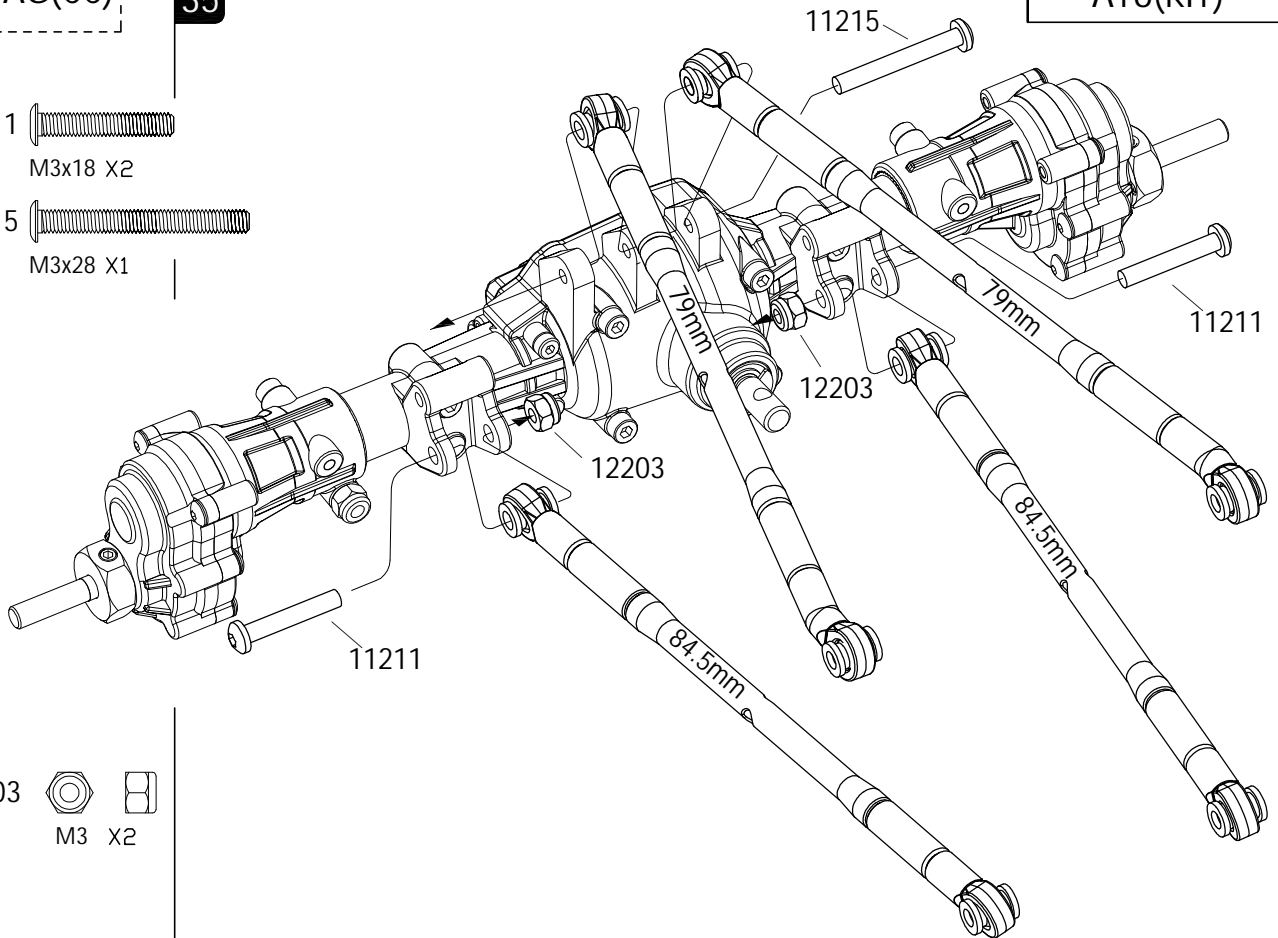
AT6(KIT)



M3x18 X2

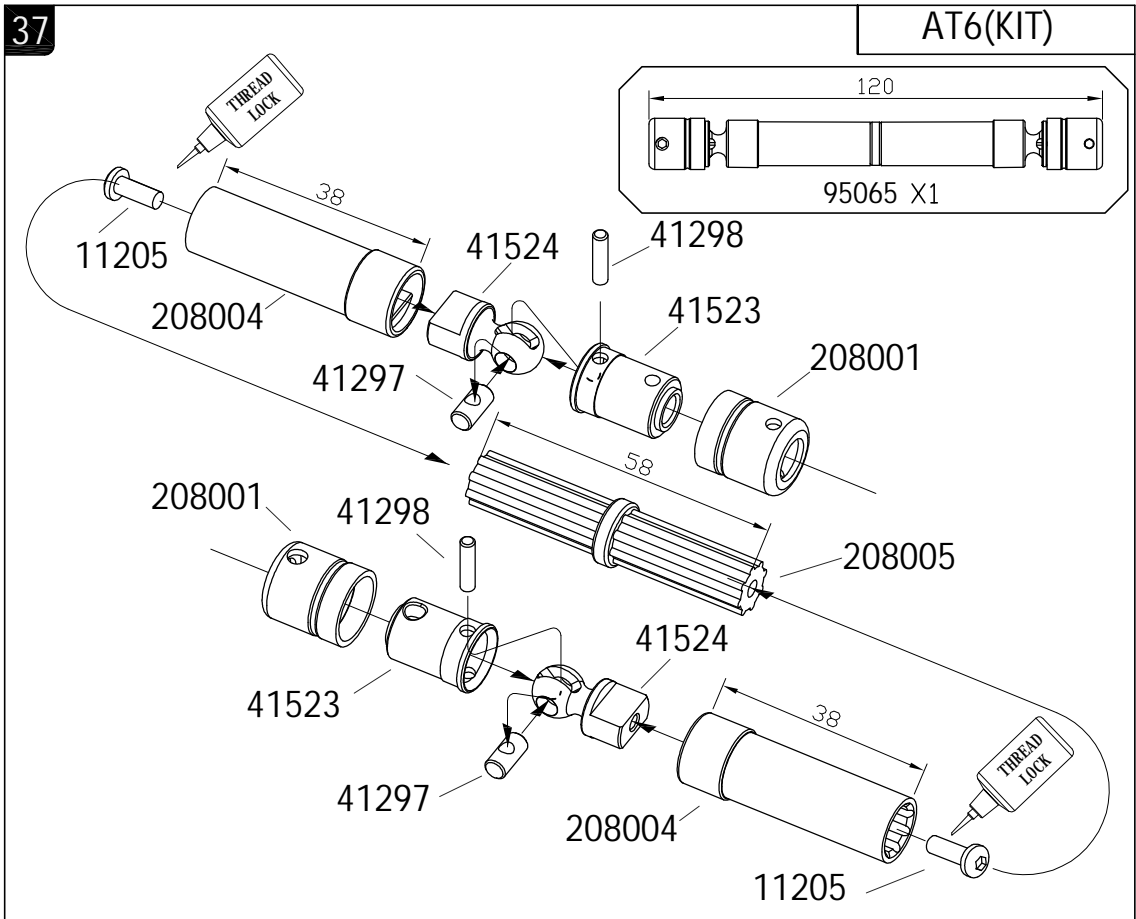
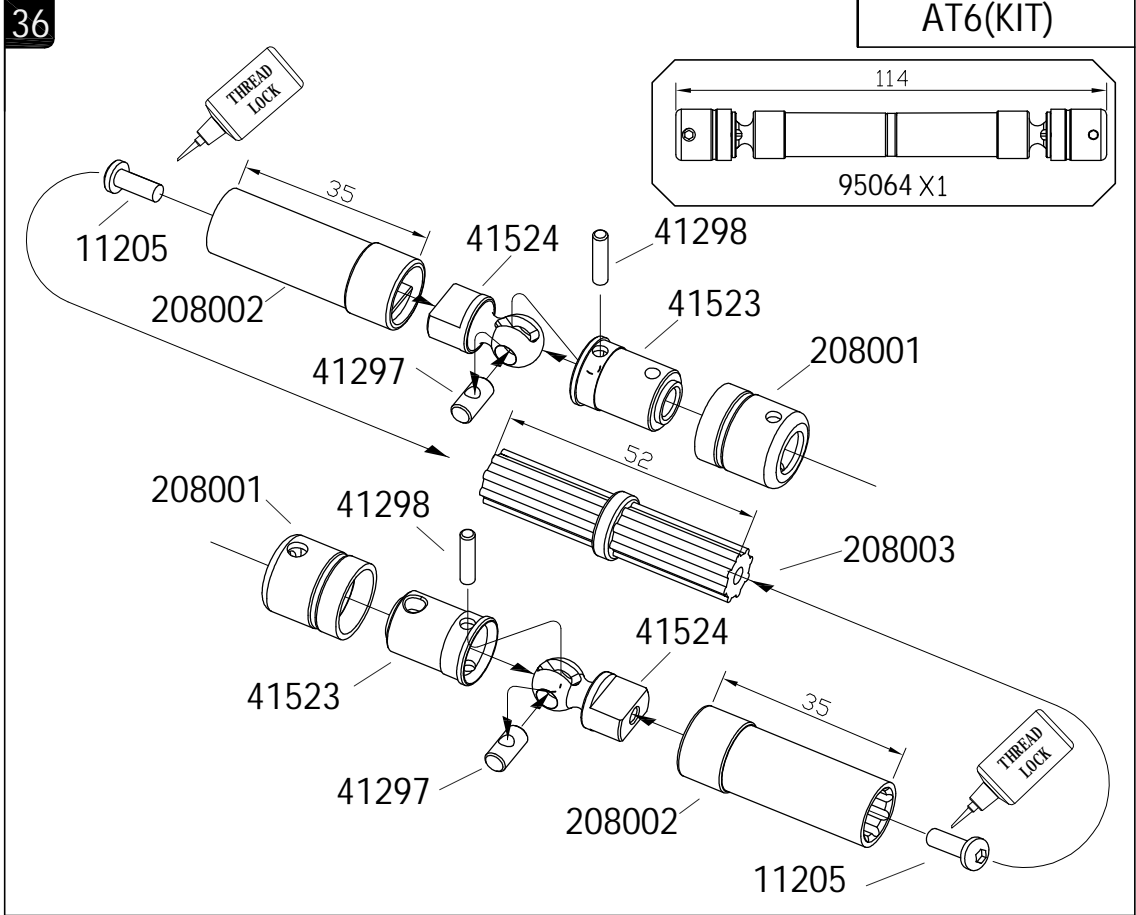


M3x28 X1

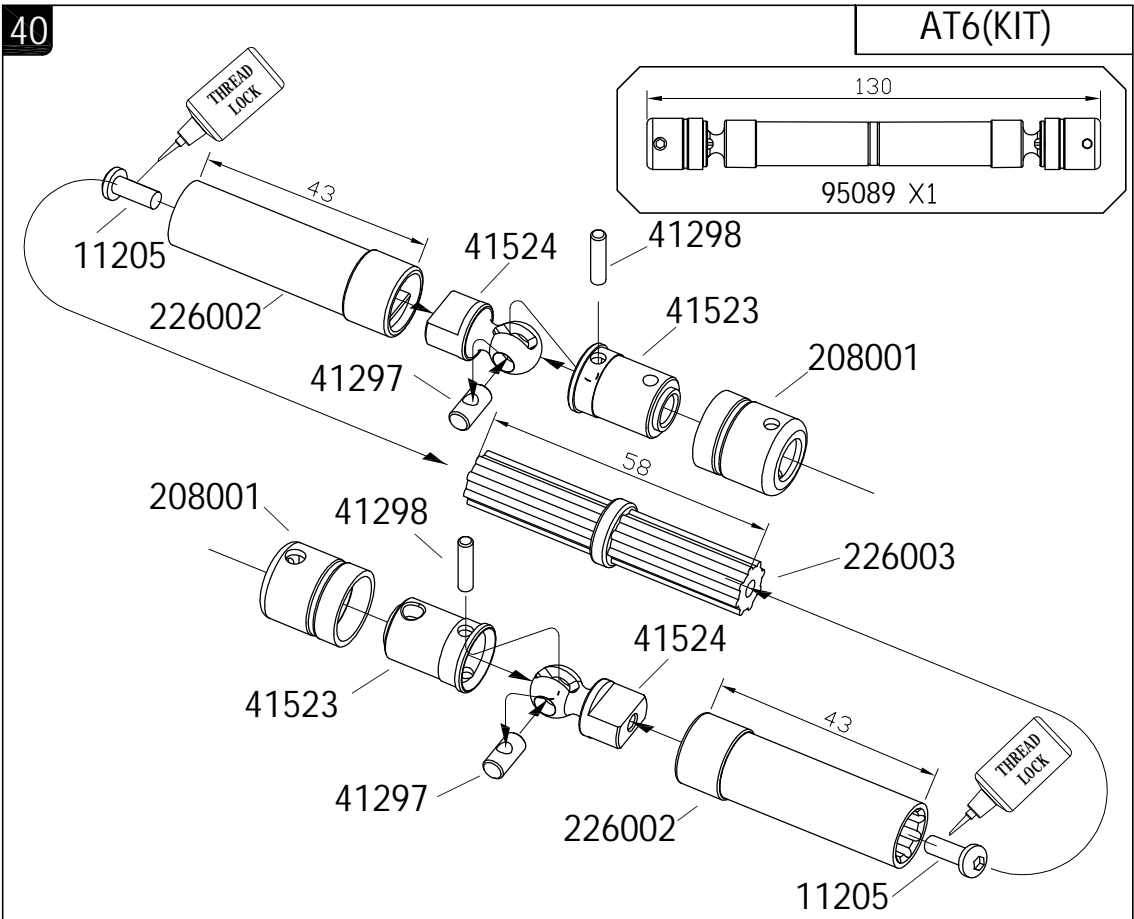
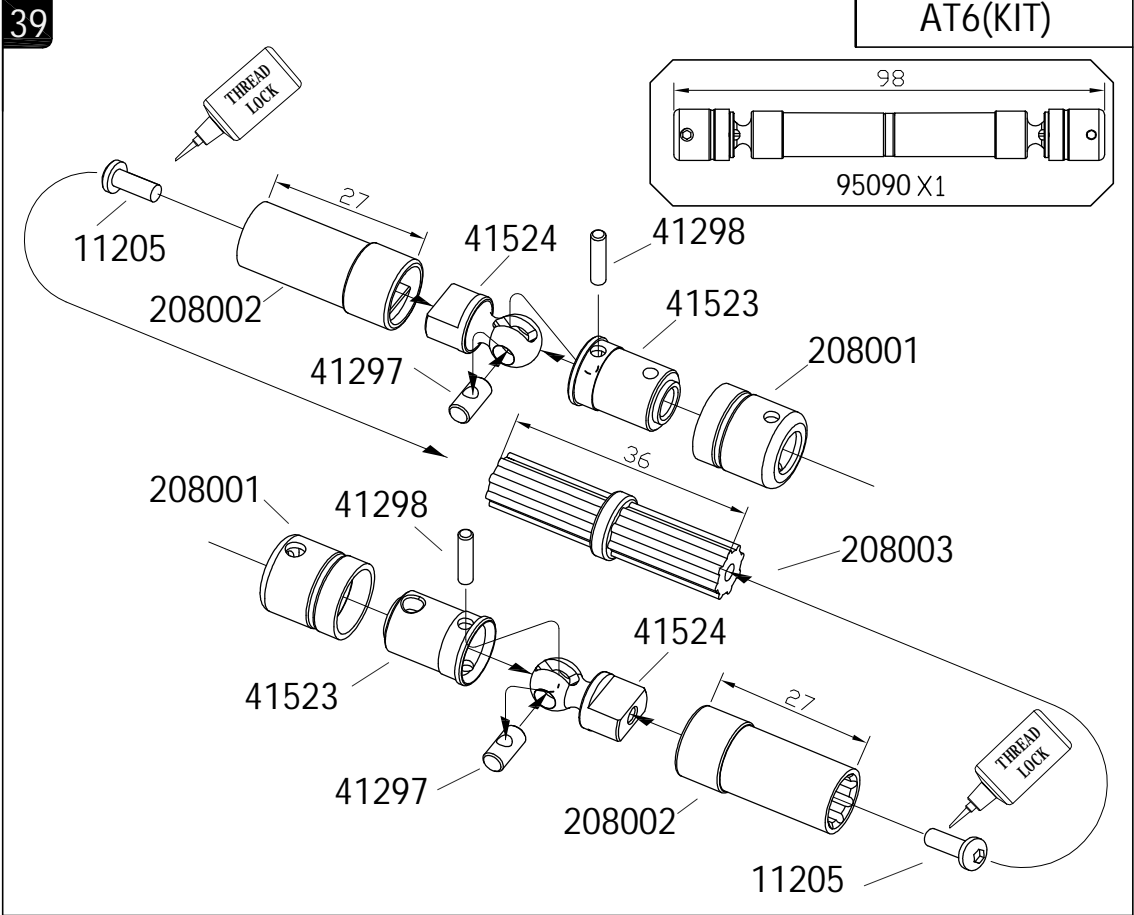


M3 X2


BAG(I)

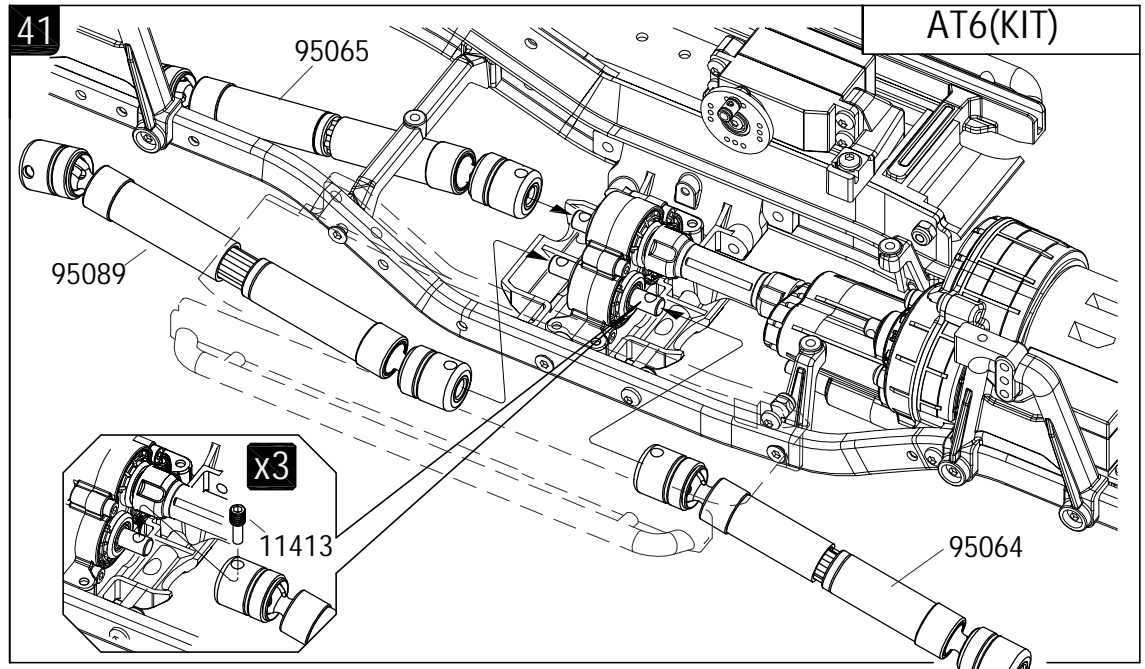


BAG(I)





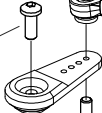





BAG(I)

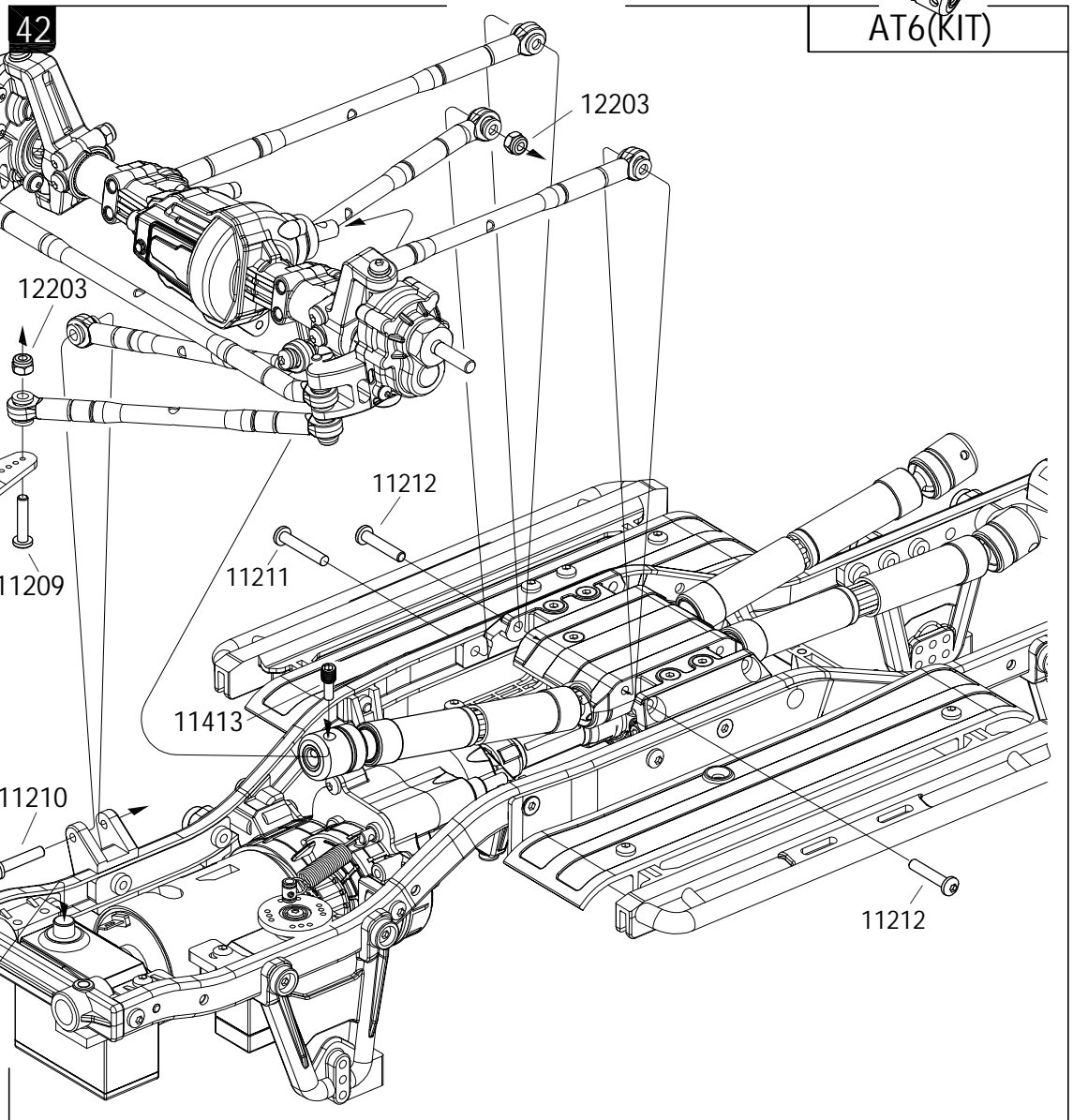
- 11413  M4x12 X3



AT6(KIT)

BAG(CC)

- 11211  M3x18 X1
- 11212  M3x20 X2
- Not included 
- 11206  M3x8 X1
- 11413  M4x12 X1
- 11209  M3x14 X1
- 12203  M3 X2
- 11210  M3x16 X1





AT6(KIT)


BAG(CC)


43


AT6(KIT)

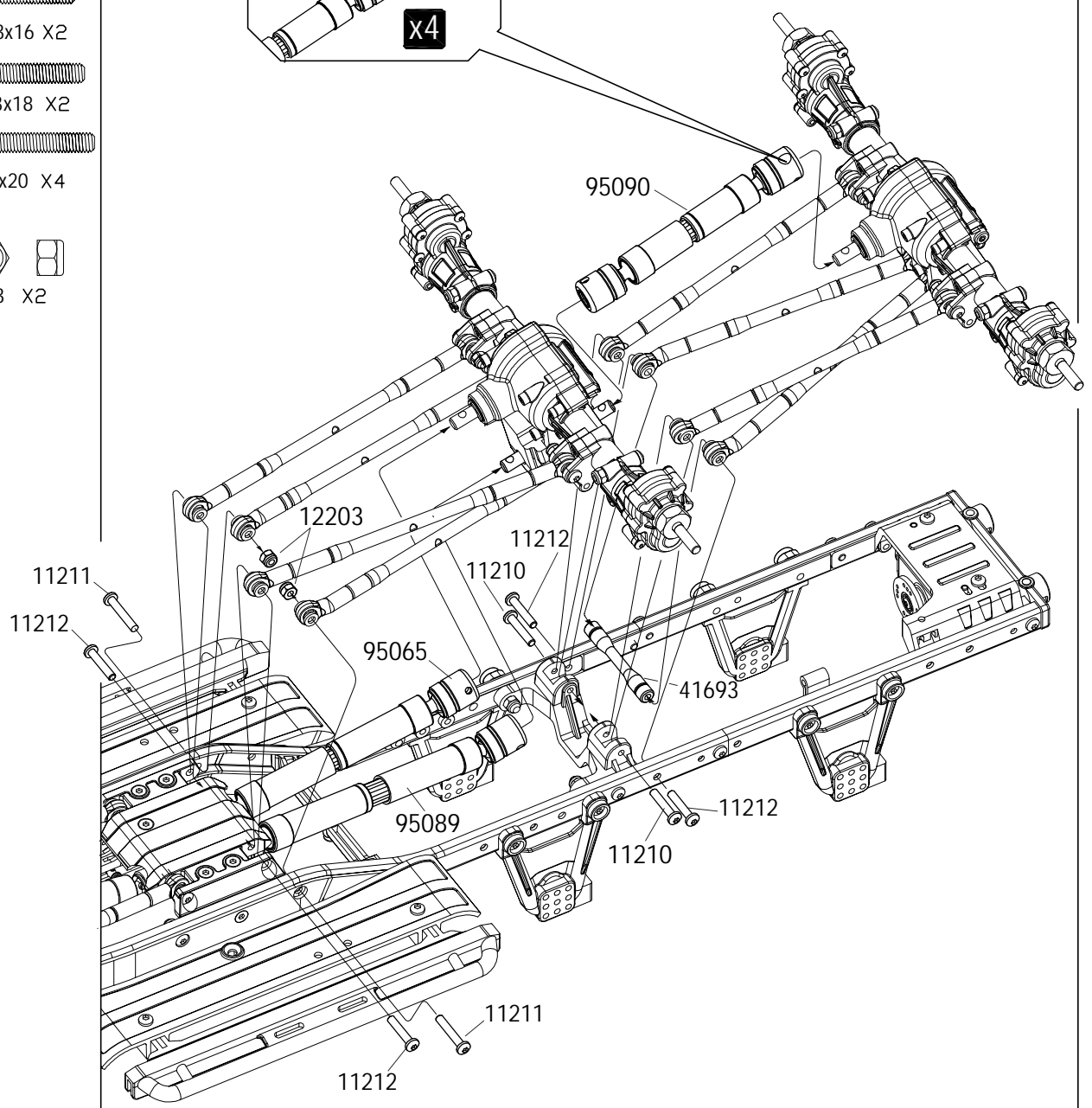
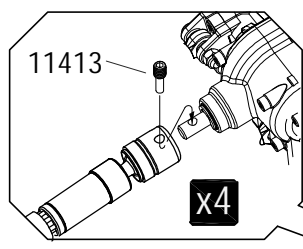
11413 
M4x12 X4

11210 
M3x16 X2

11211 
M3x18 X2

11212 
M3x20 X4

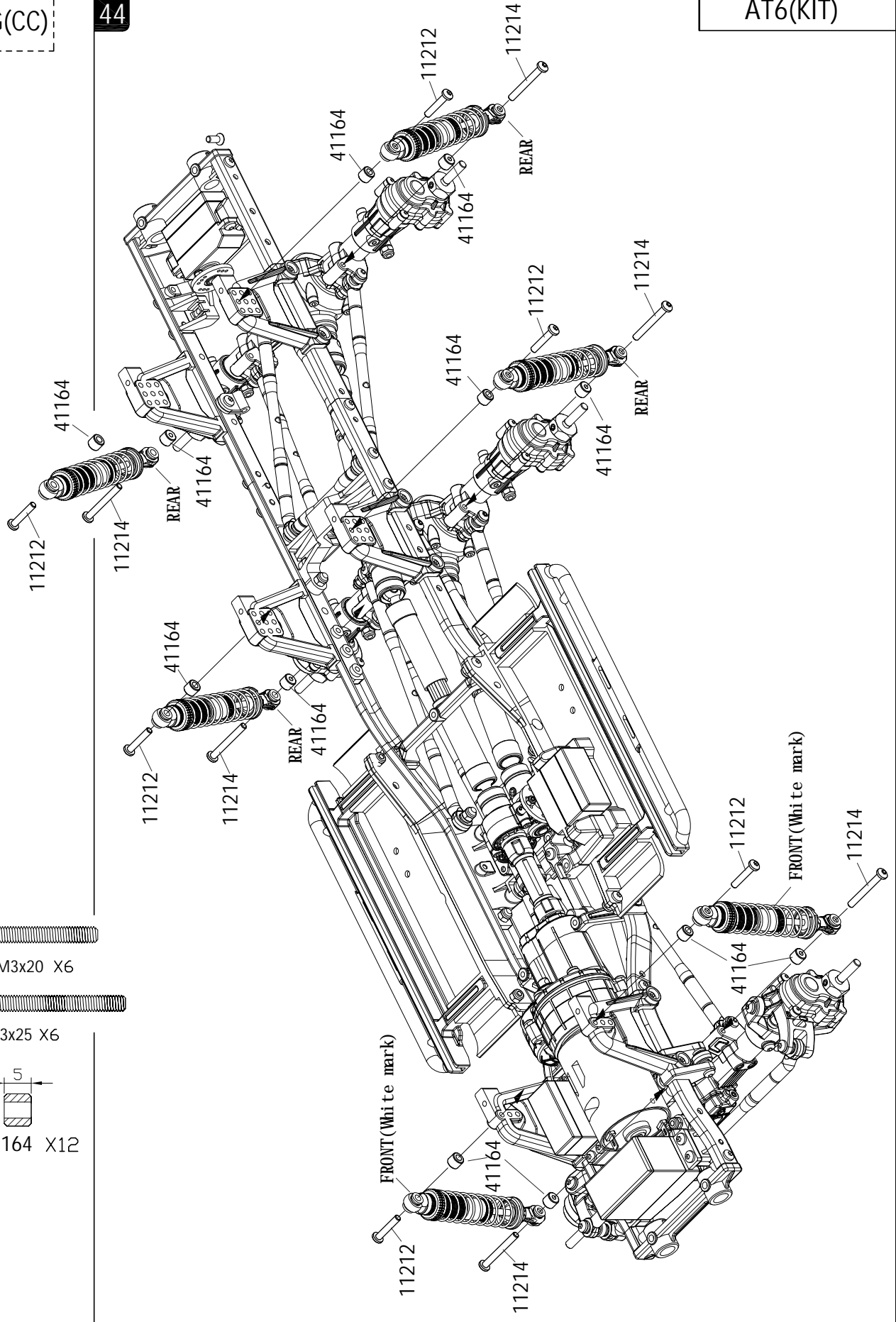
12203 
M3 X2





BAG(CC)

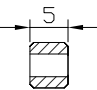
44

AT6(KIT)



11212 
M3x20 X6



11214 
M3x25 X6

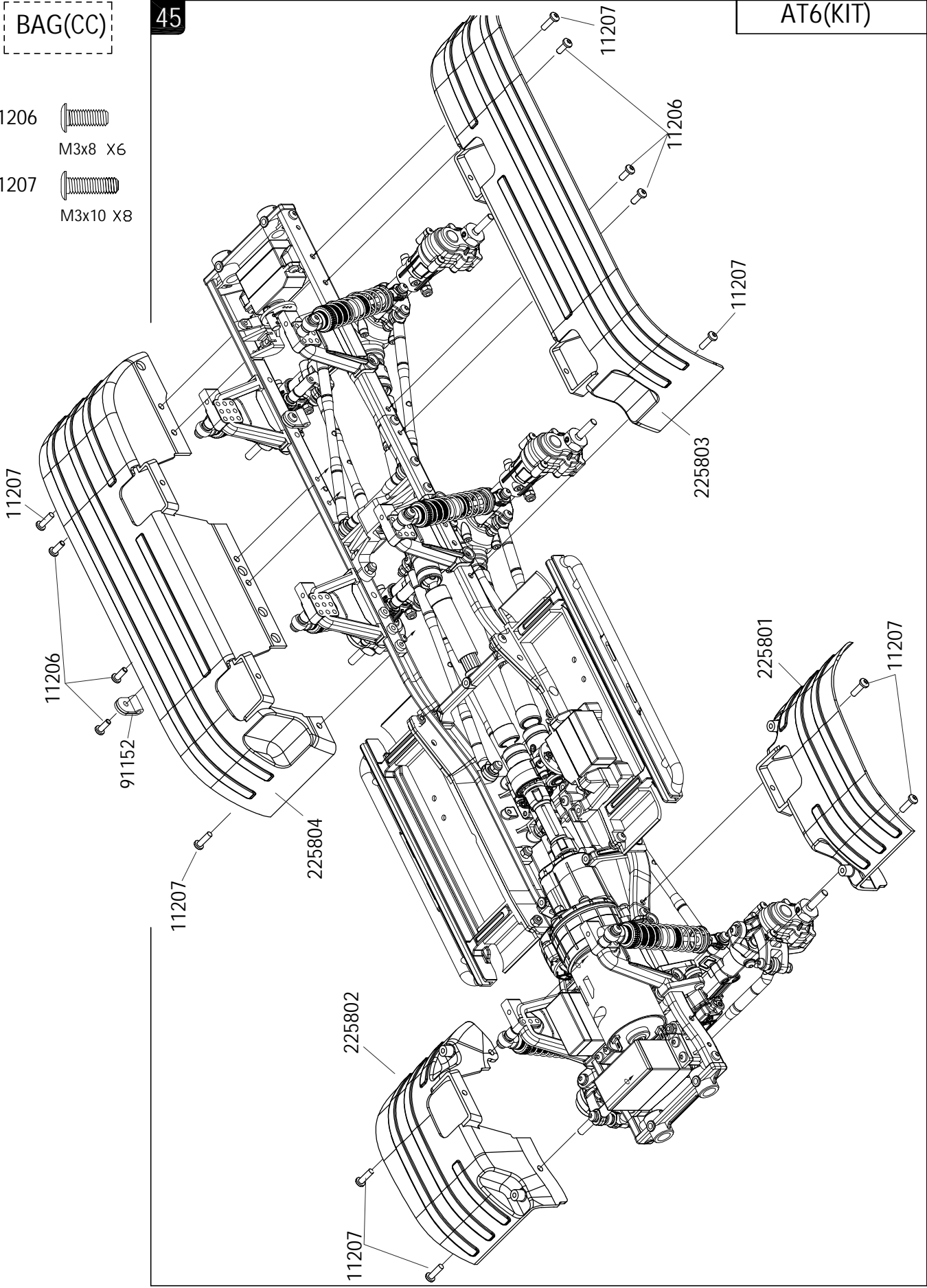
 5
41164 X12

BAG(CC)

45

AT6(KIT)



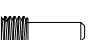


- 11206  M3x8 X6
- 11207  M3x10 X8

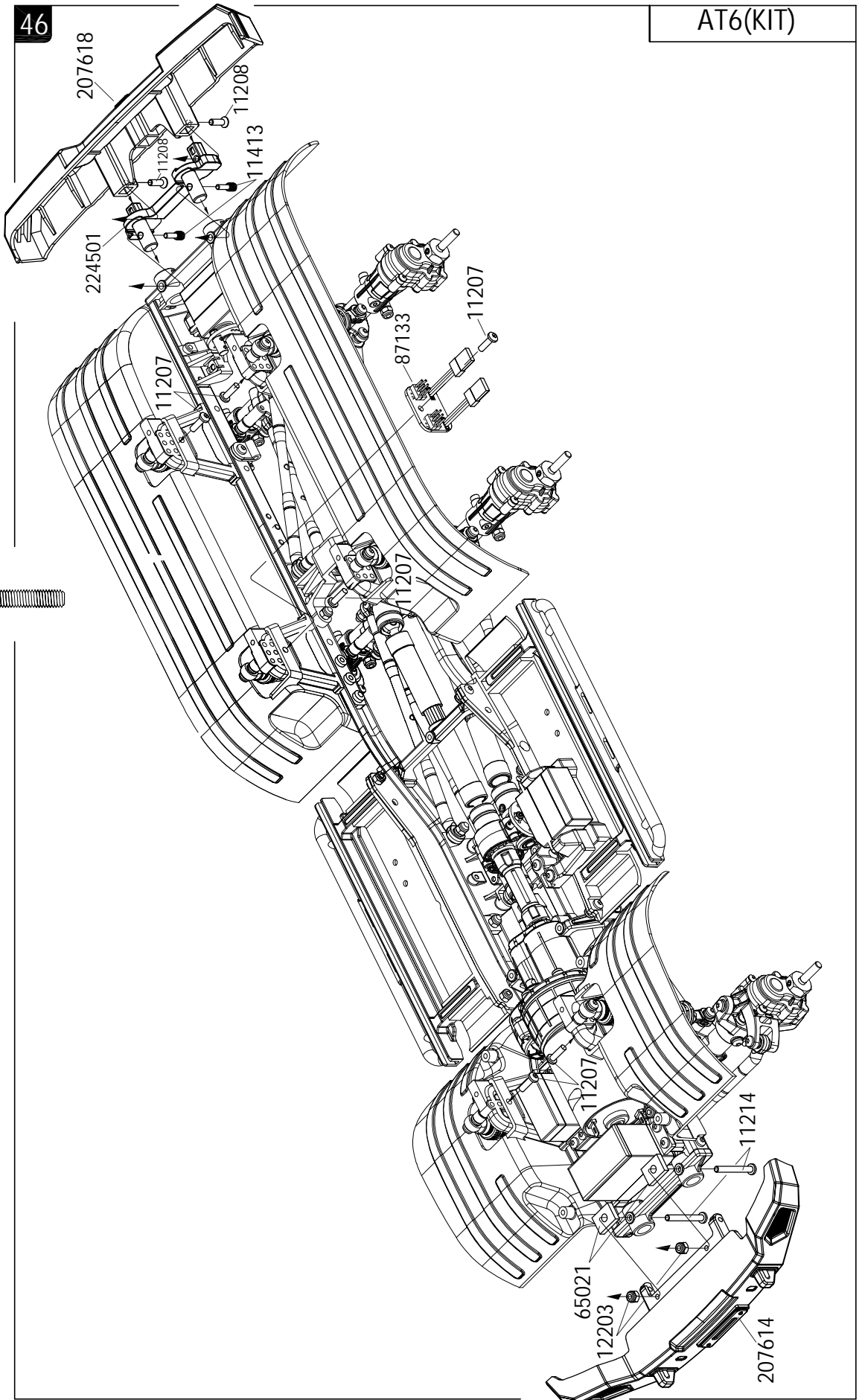


BAG(CC)

46

AT6(KIT)

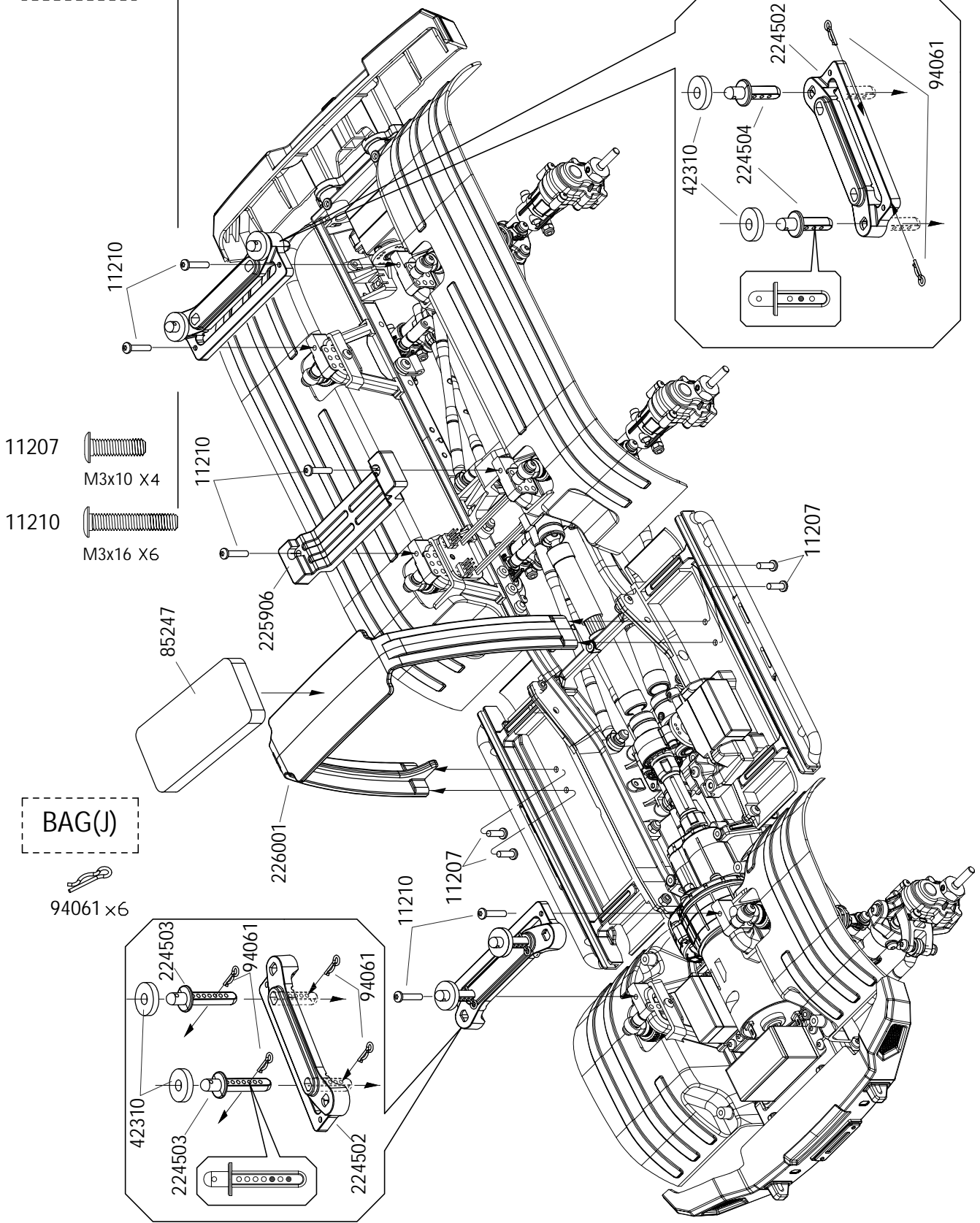
- 11207  M3x10 X6
- 11208  M3x12 X2
- 11413  M4x12 X2
- 12203  M3 X2
- 11214  M3x25 X2



BAG(CC)

47

AT6(KIT)





BAG(J)

BAG(CC)


AT6(KIT)

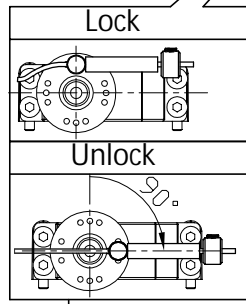
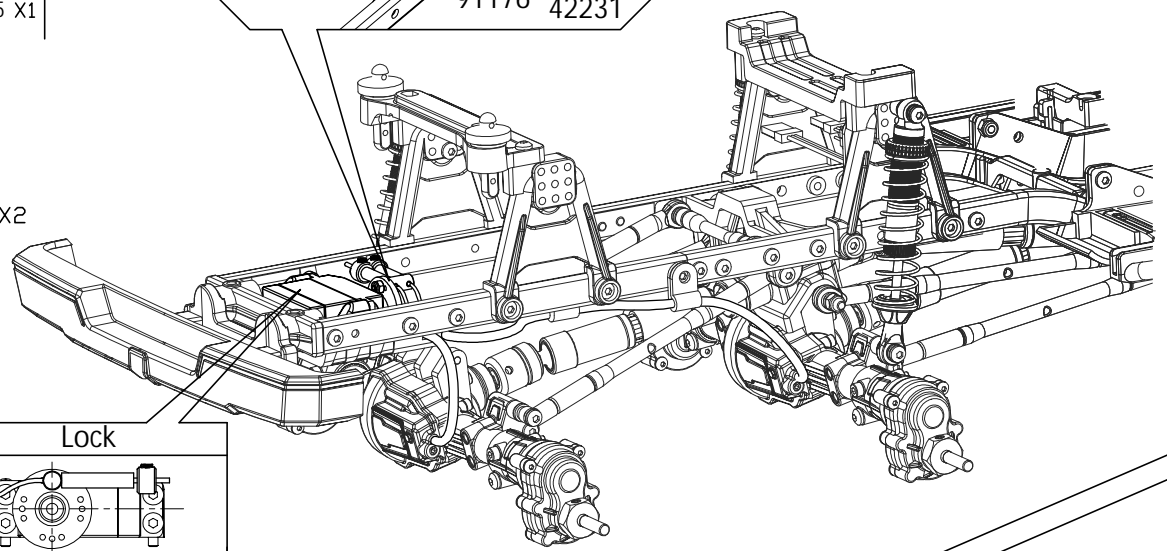
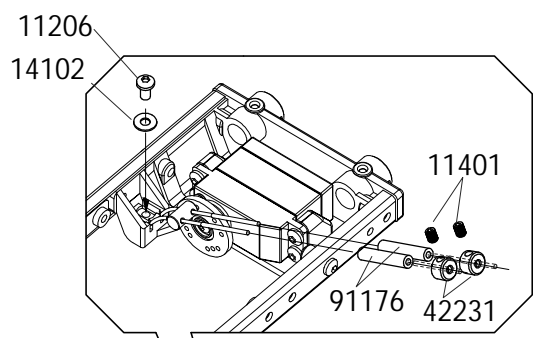
48

11206  M3x8 X1

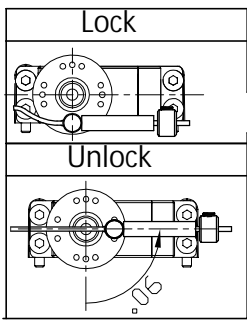
14102  $\varnothing 3 \times \varnothing 7 \times 0.5$ X1


V4.0


11401  M3x4 X2




49

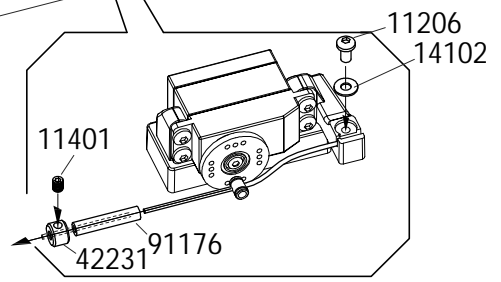
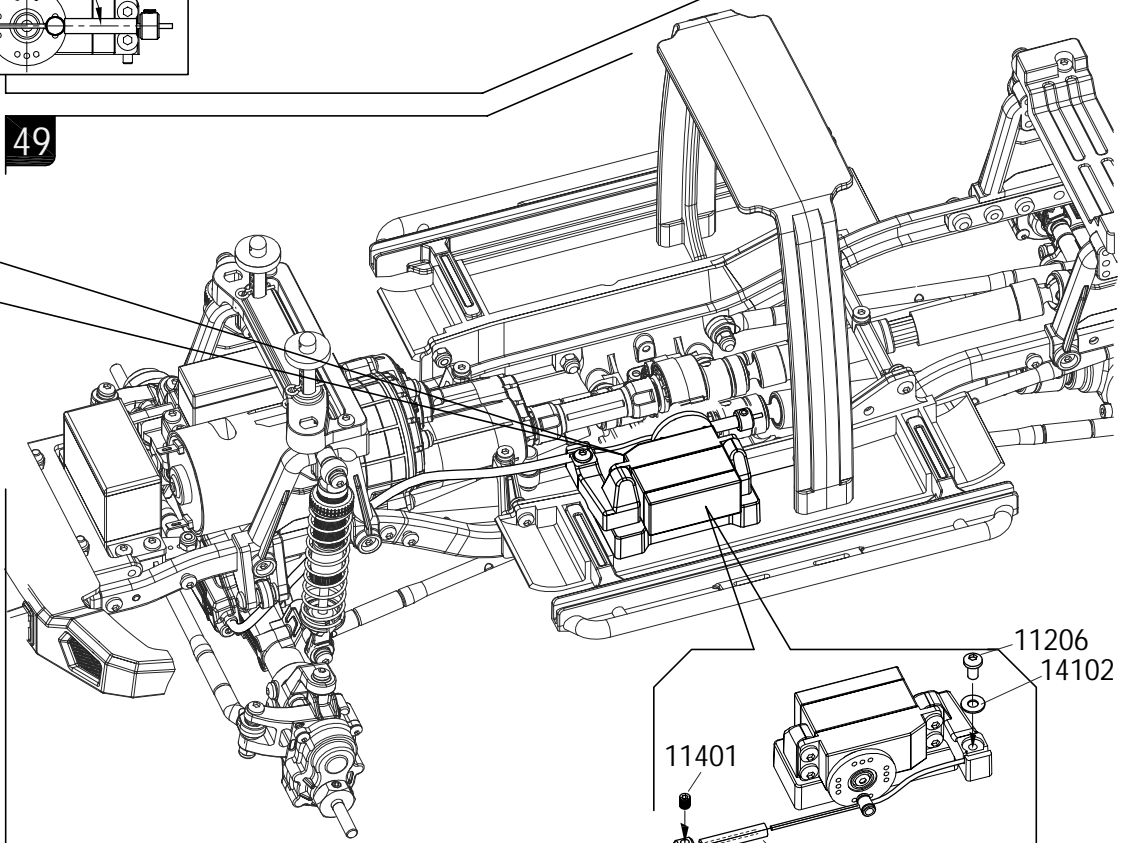


11206  M3x8 X1

14102  $\varnothing 3 \times \varnothing 7 \times 0.5$ X1

V4.0

11401  M3x4 X1





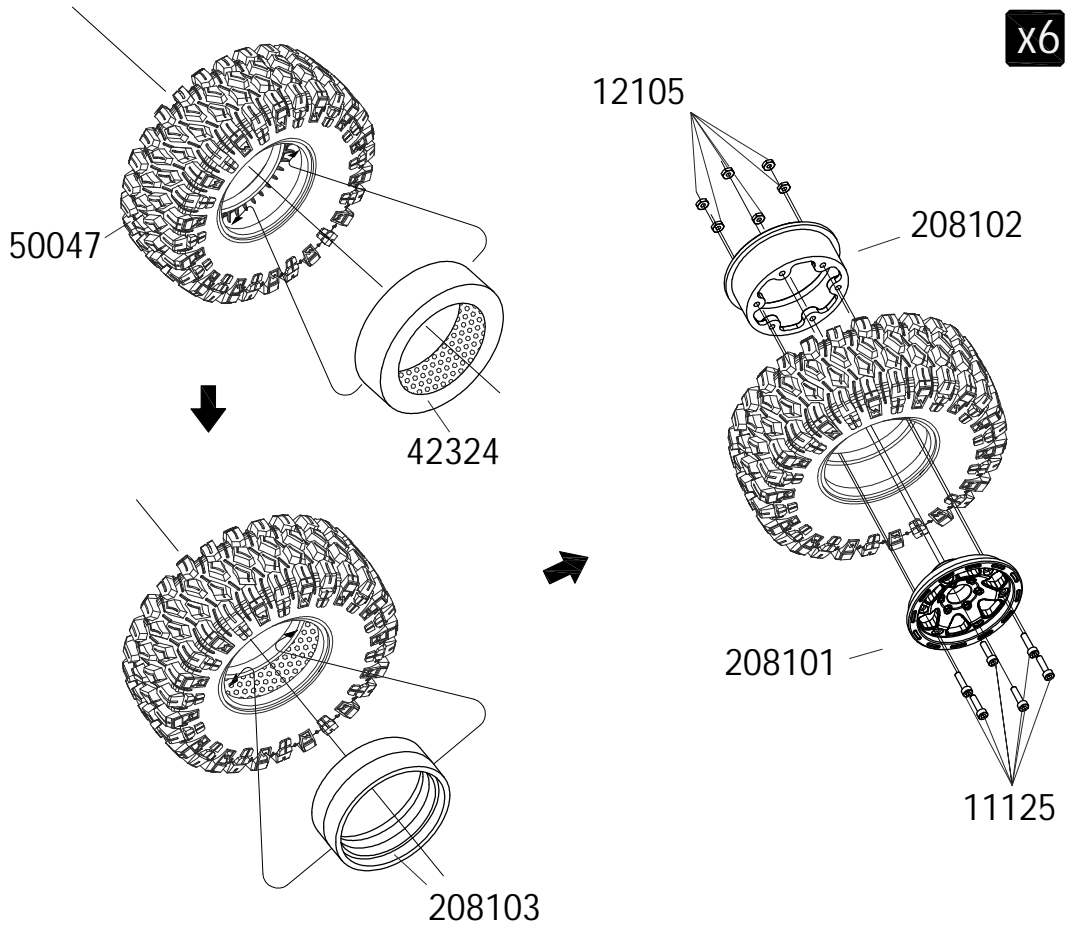
BAG(A)

50

AT6(KIT)

x6


- 11125  M2.5x10 X36
- 12105  M2.5 X36

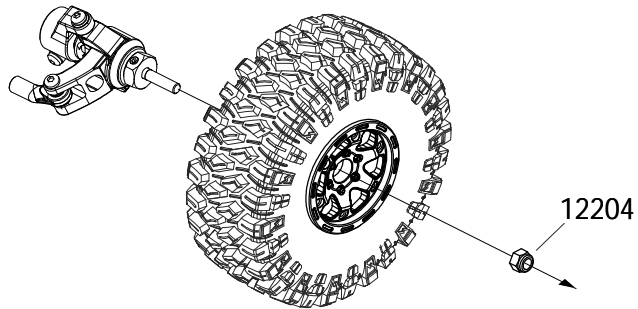


51

AT6(KIT)

x6

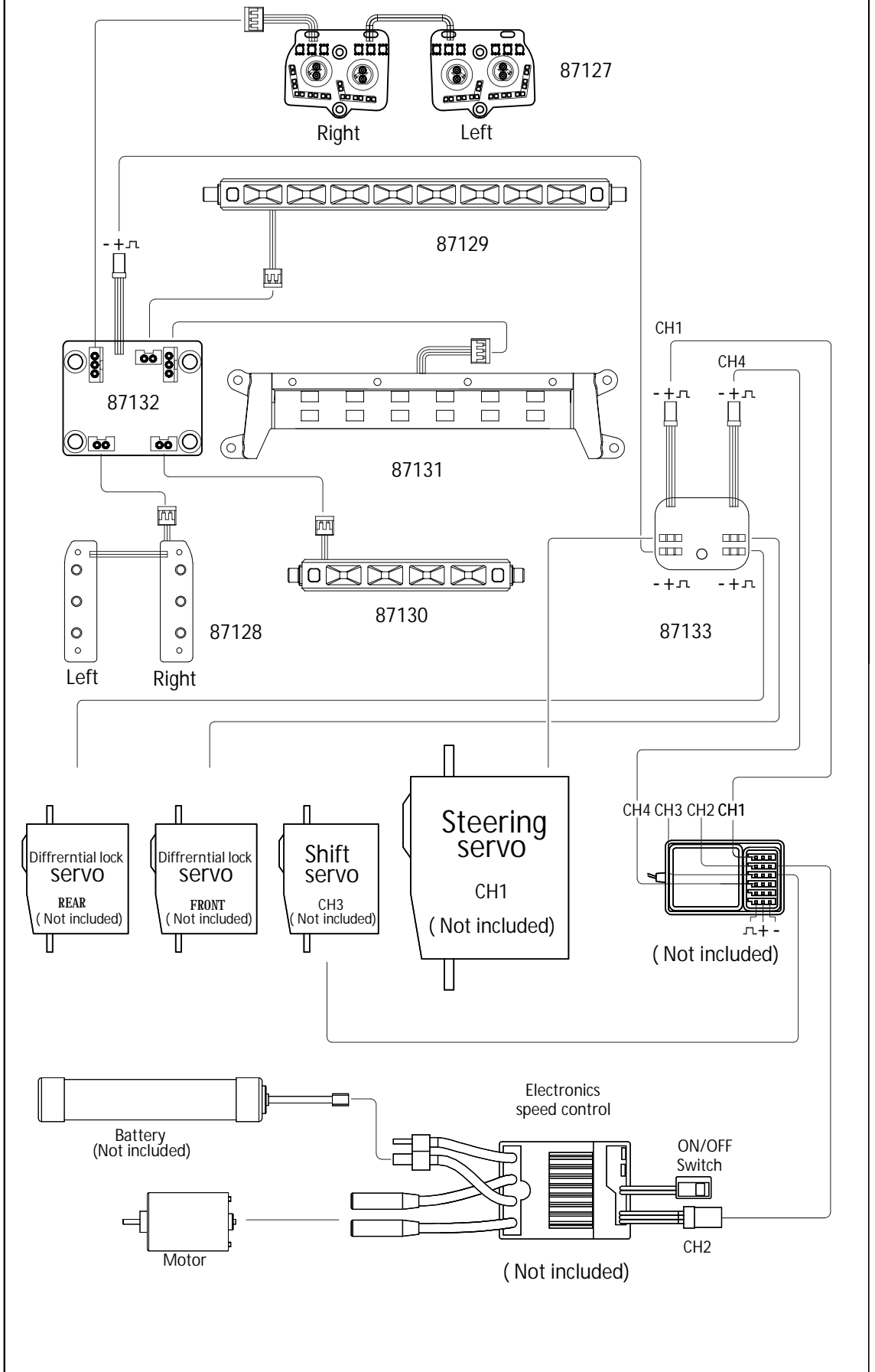
- 12204  M4 X6

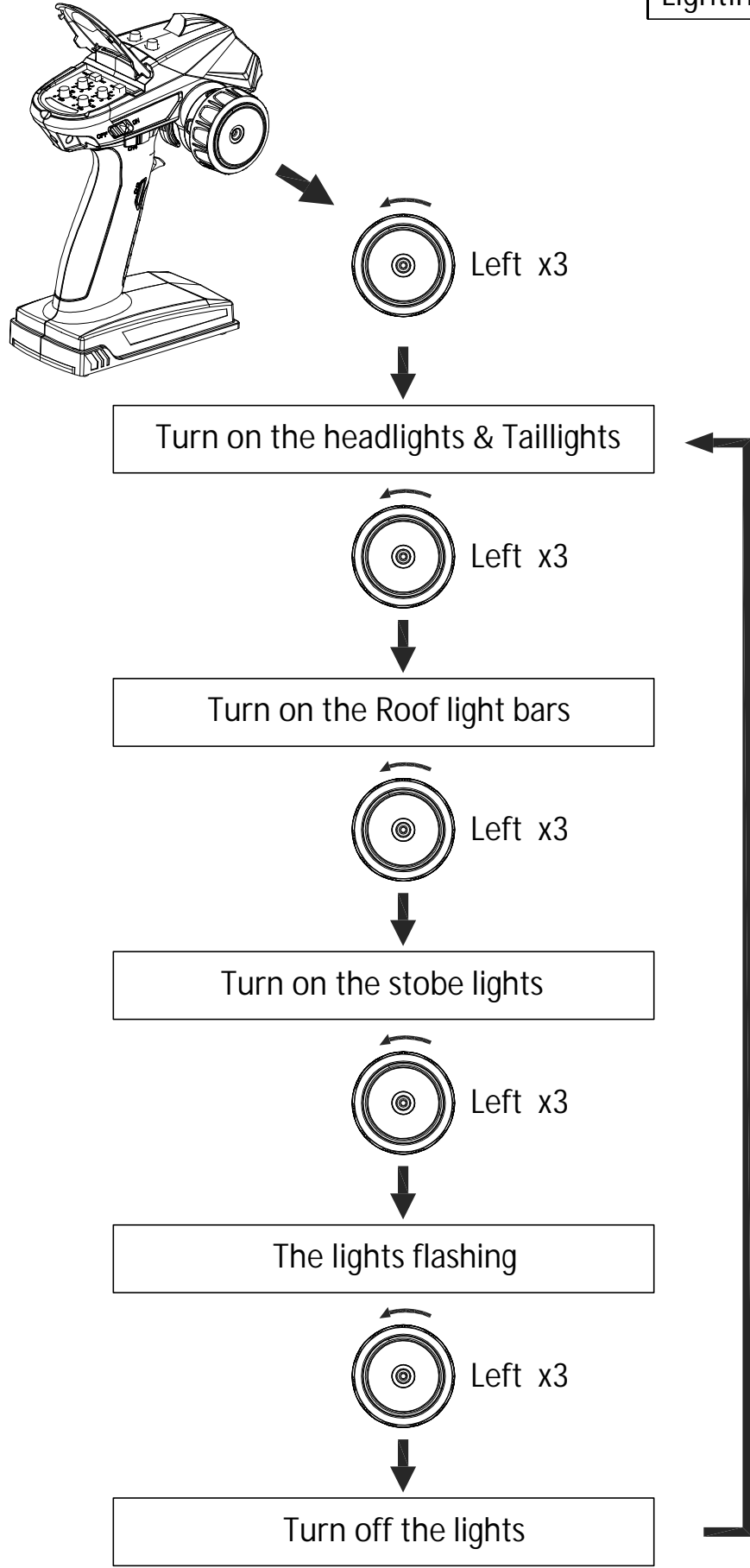


BAG(T)

52

AT6(KIT)







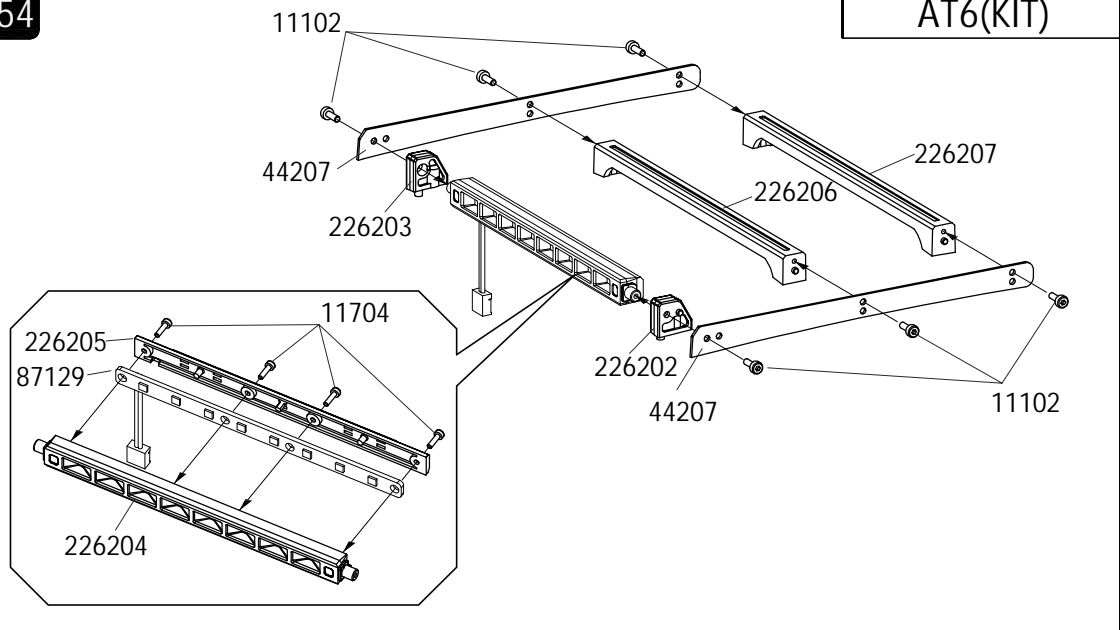
AT6(KIT)

54

BAG(CC)


11102  M2x6 X6


11704  M1.6x6 X4





55

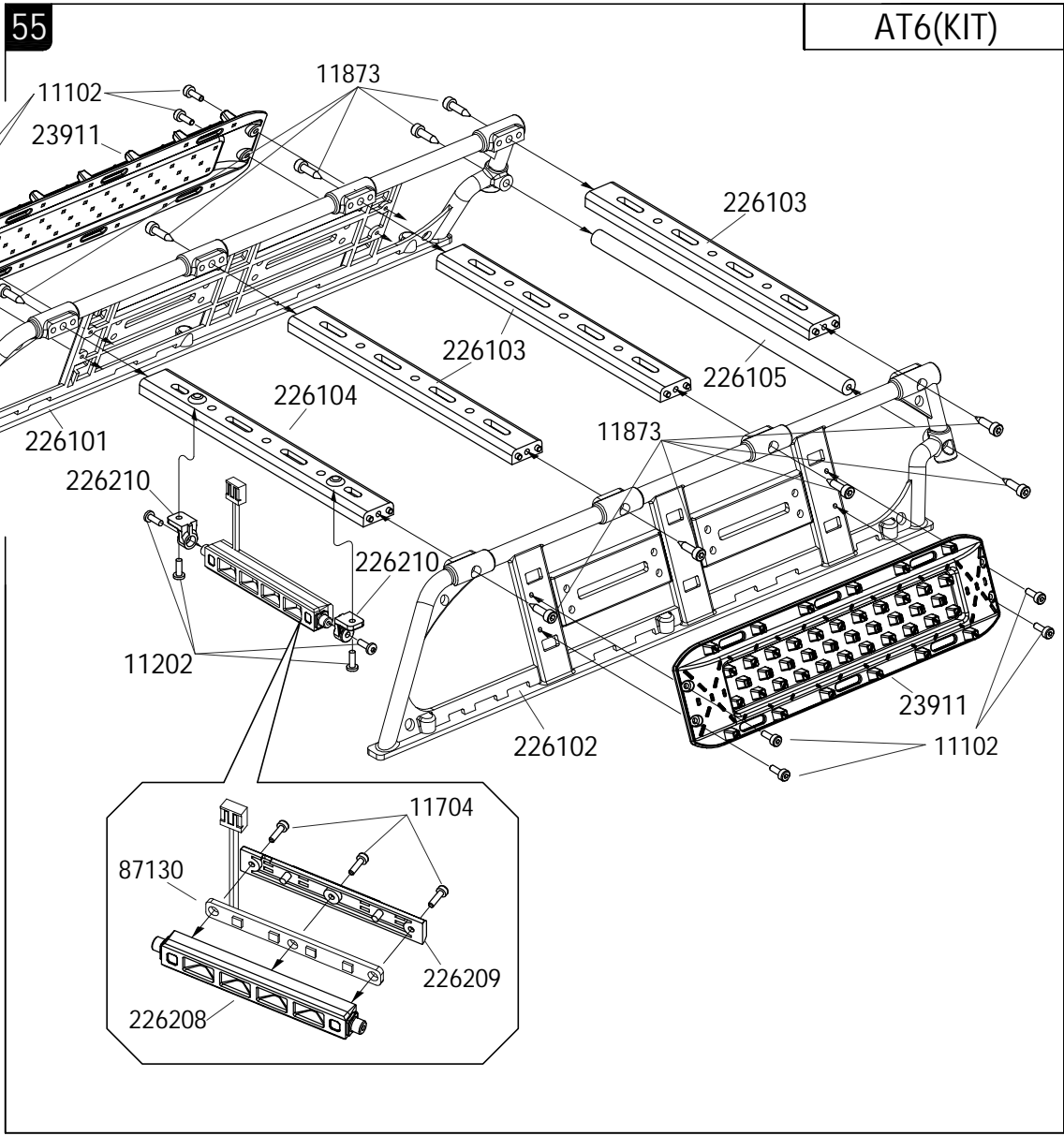
AT6(KIT)

11102  M2x6 X8

11873  ST2.6x12 X10

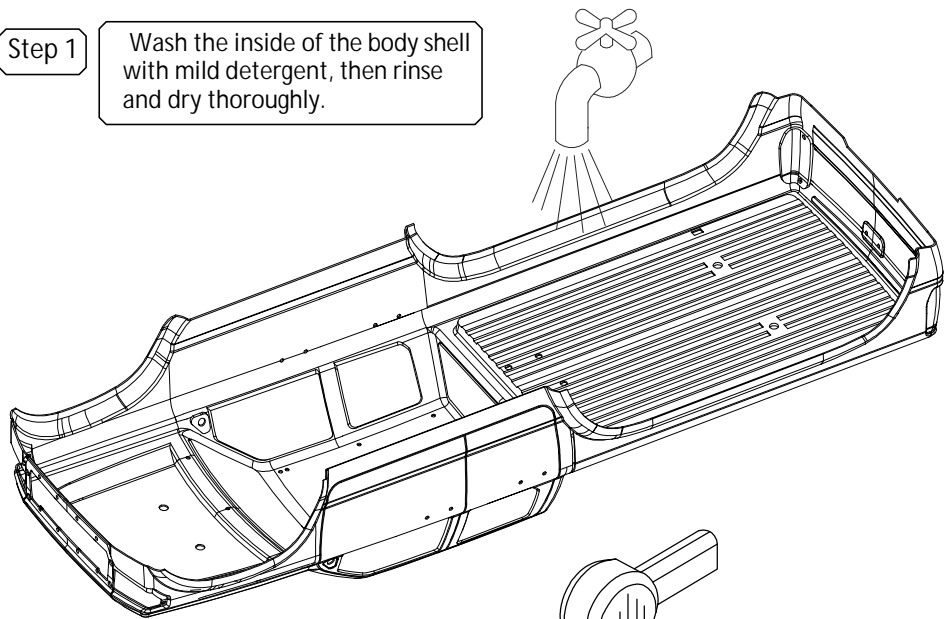
11704  M1.6x6 X3

11202  M2x6 X4

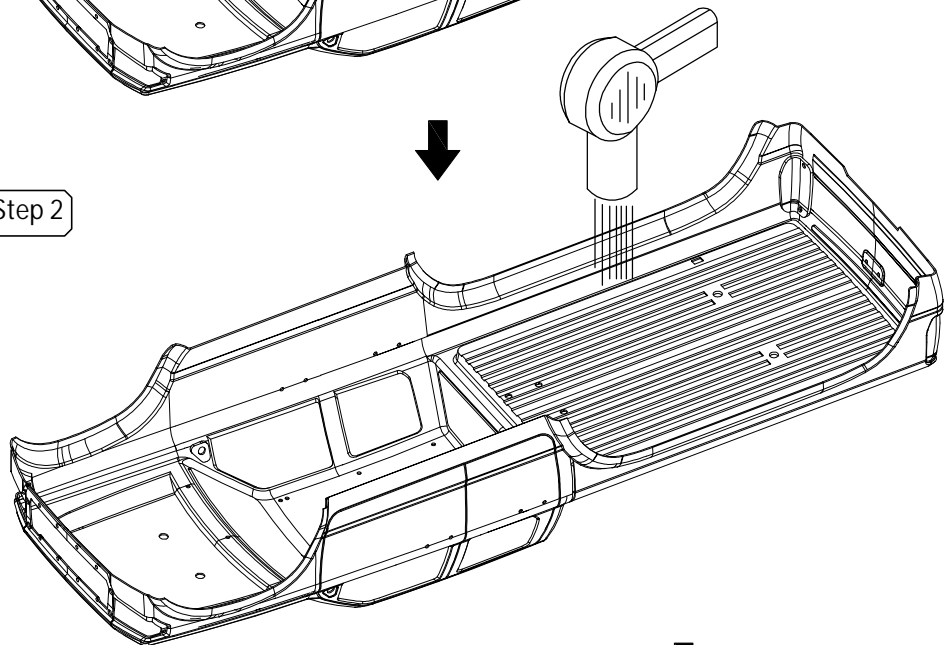


Step 1

Wash the inside of the body shell with mild detergent, then rinse and dry thoroughly.

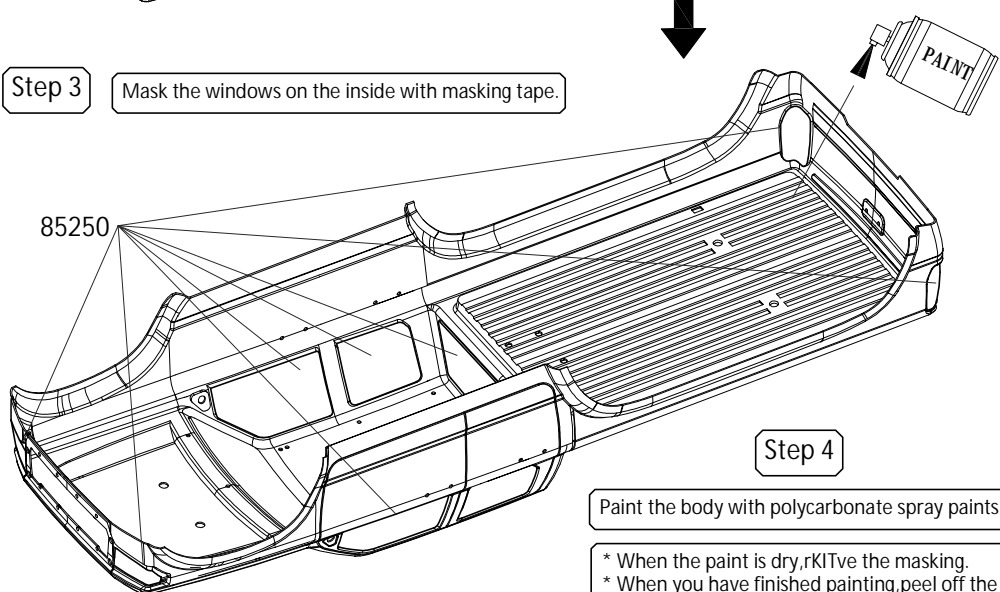


Step 2



Step 3

Mask the windows on the inside with masking tape.



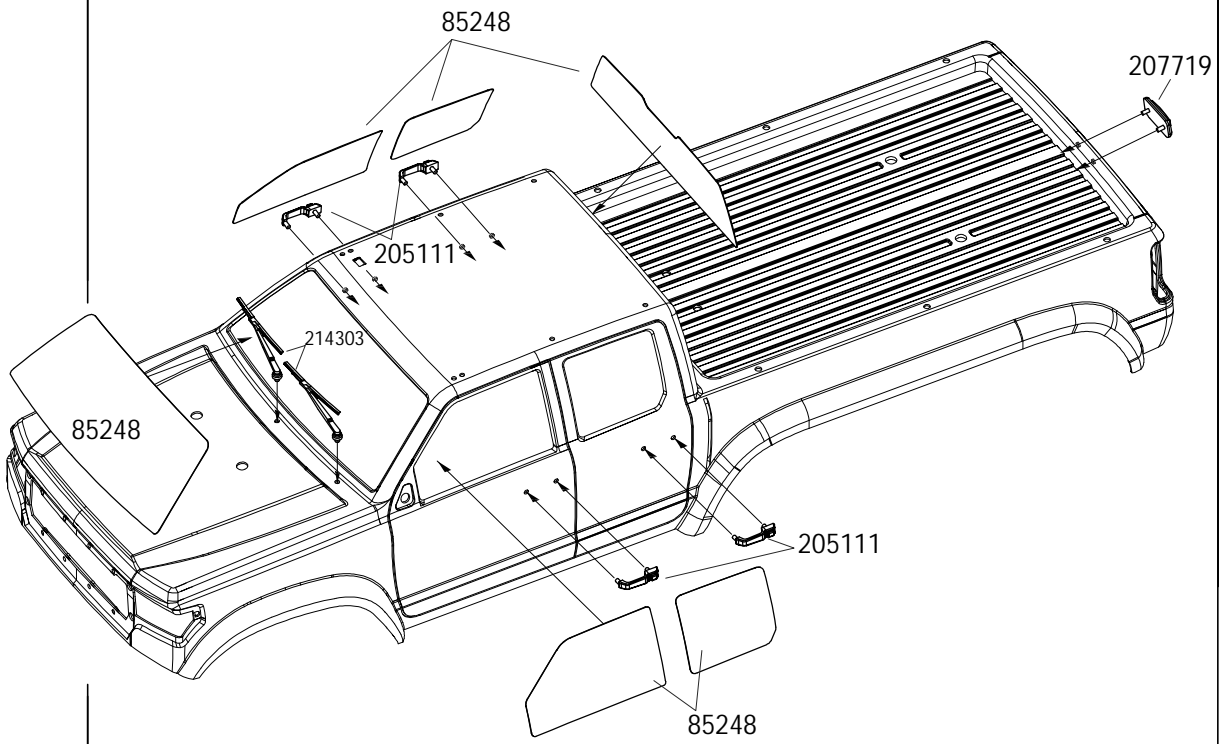
Step 4

Paint the body with polycarbonate spray paints.

* When the paint is dry, rKITve the masking.
* When you have finished painting, peel off the external protective films.

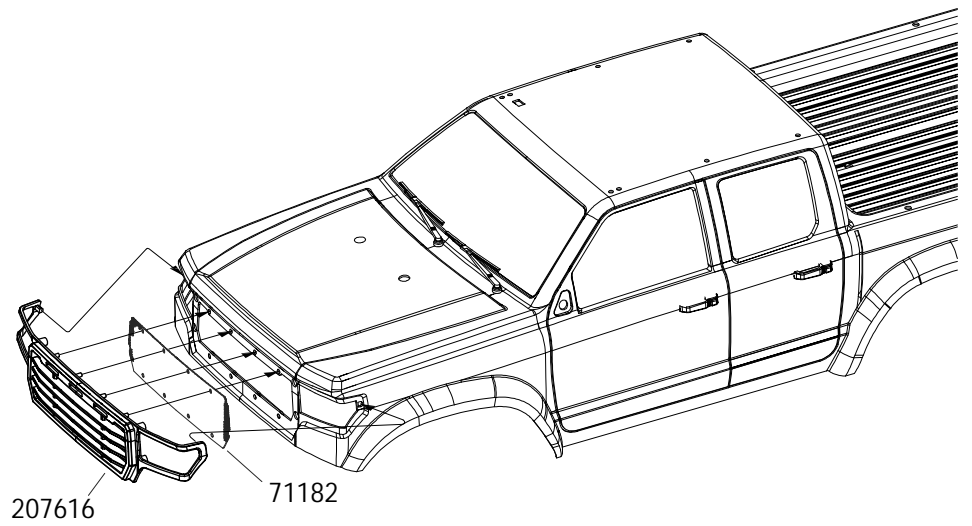
57

AT6(KIT)



58

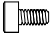
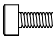

AT6(KIT)

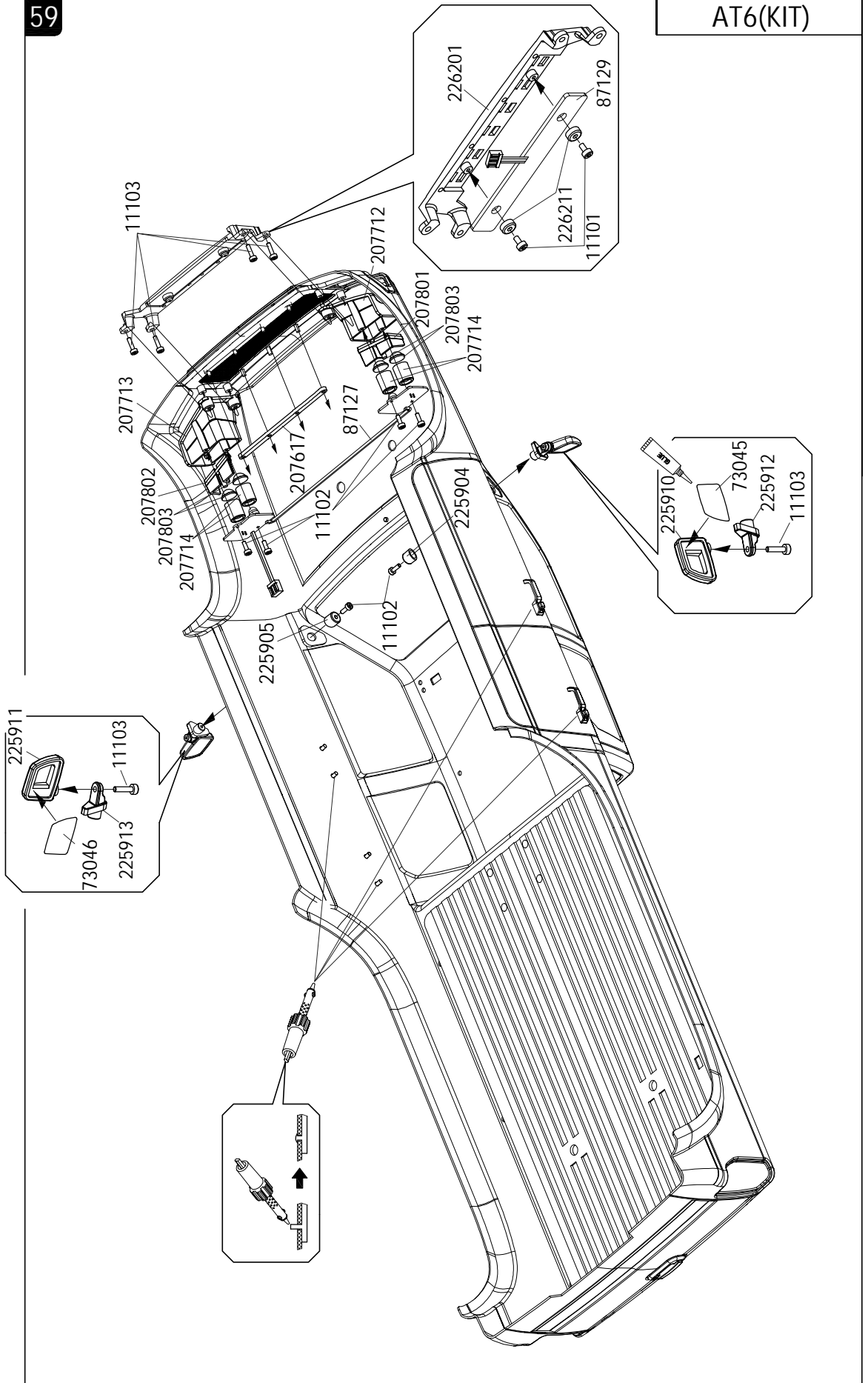


BAG(CC)



59

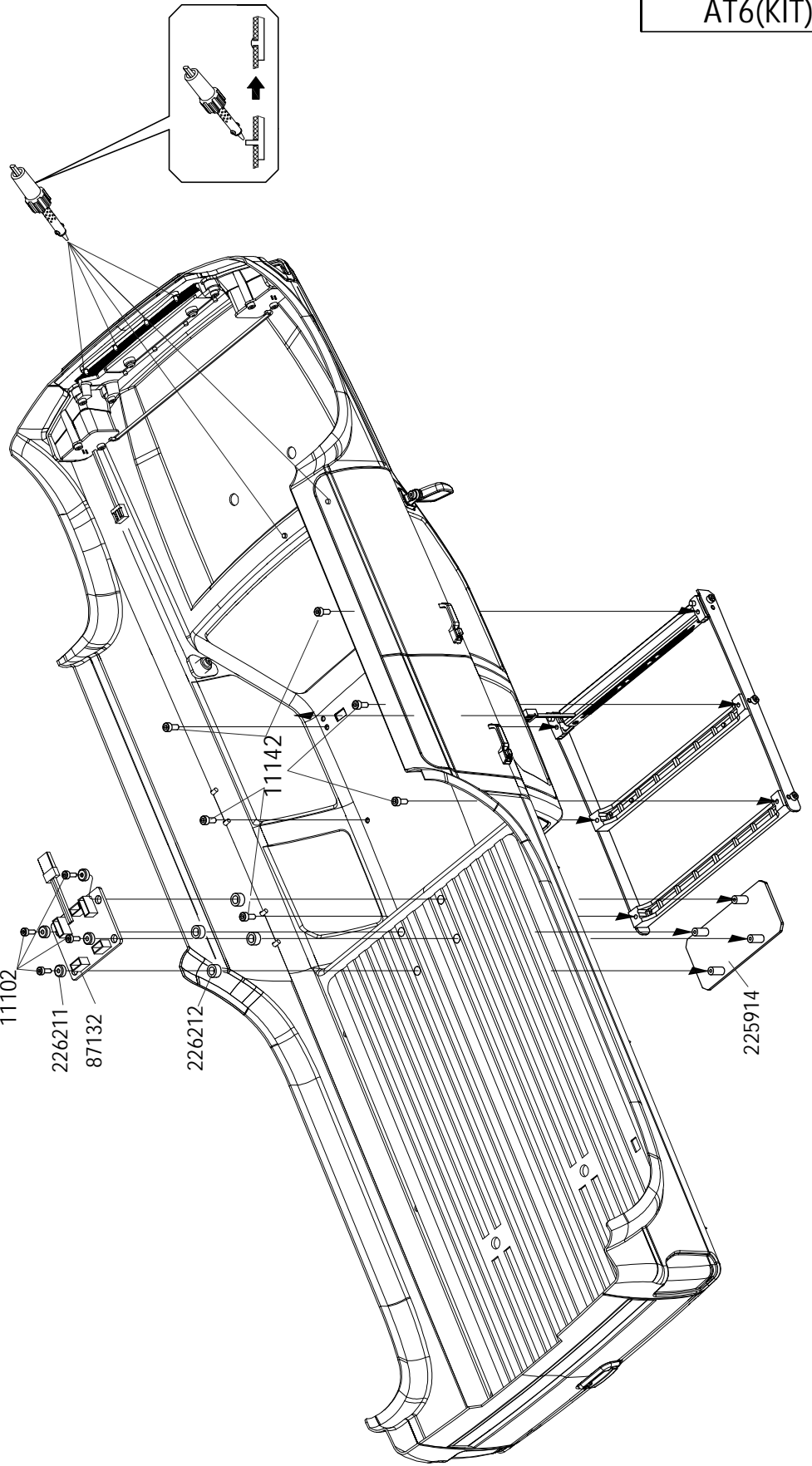
AT6(KIT)

- 11101  M2x4 X2
- 11102  M2x6 X6
- 11103  M2x8 X6



BAG(CC)


- 11102  M2x6 X4
- 11142  M2.5x6 X6




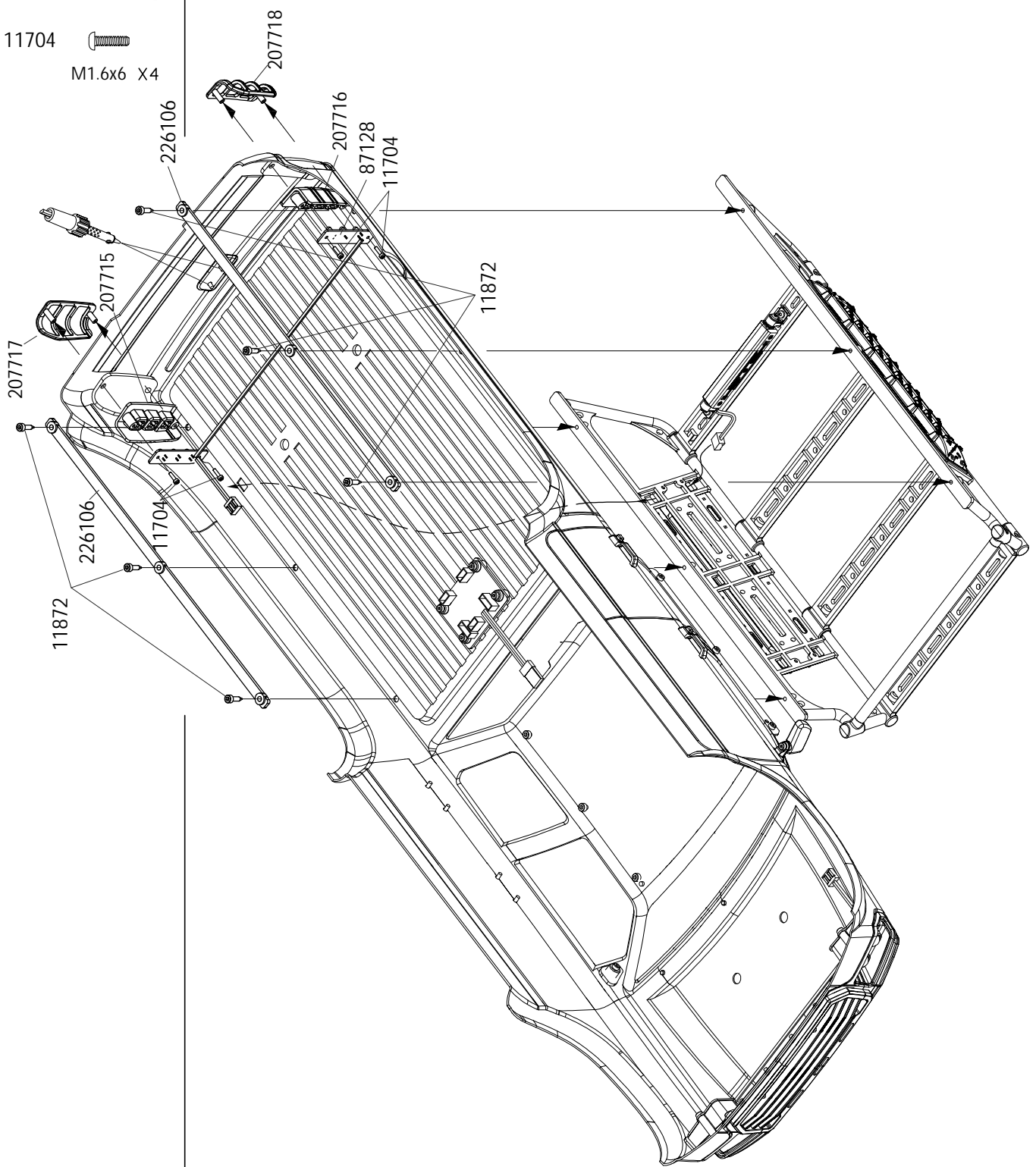
61

AT6(KIT)


BAG(CC)

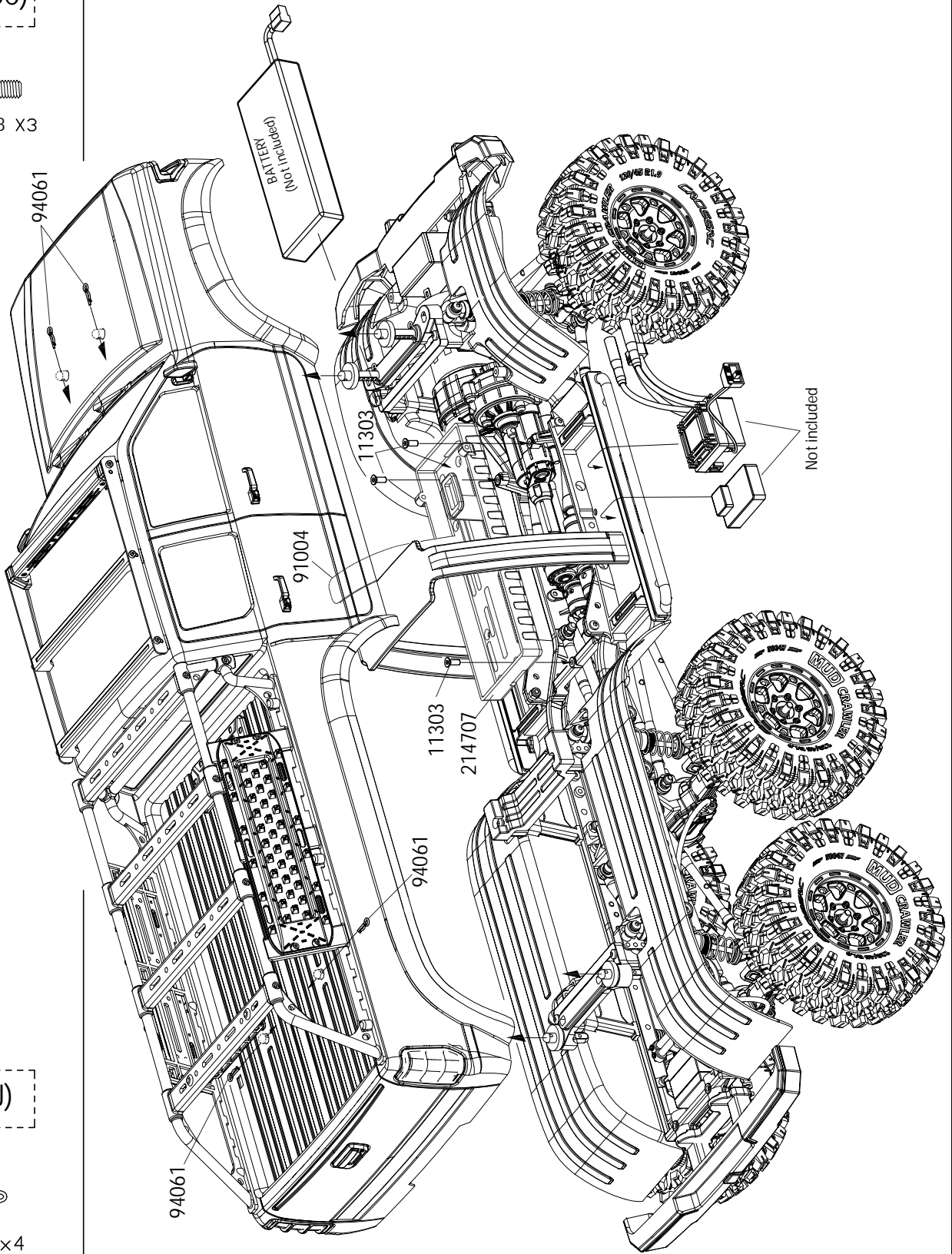
11872 
ST2.6x10 X6

11704 
M1.6x6 X4




BAG(CC)

11303 
M3x8 X3



BAG(J)


94061 x4