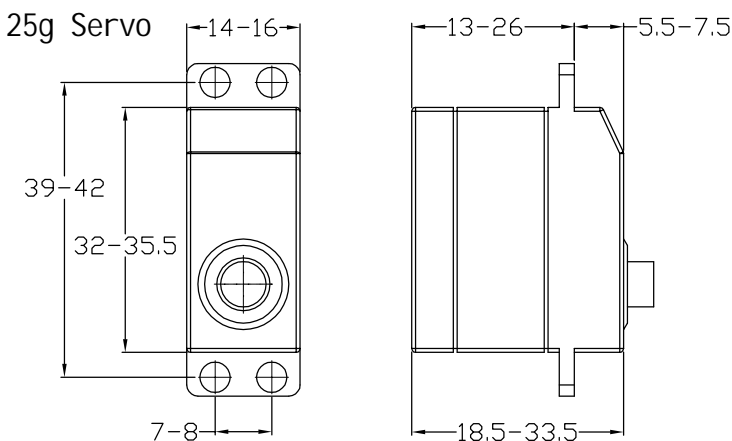


- Please read manual carefully before assembly and strict accordance with it.
- Please spray the body in a ventilated place and wear a safety mask.
- Please use ABS special glue for bonding when assembling the plastic body. Before bonding, please clean the bonding surface first and make sure free of paint, then pressure on the two adhesives with 10 seconds at least to fully bond.
- Please try to simulation assembly for determine the assembly sequence before the body parts are bonded or painted.
- Please refer to the instructions on page 50 for wiring diagram of electronic equipment. When it comes to power testing, get the truck off the ground.

● Electronic equipment requirements and recommendations:

Equipment	Specification	Remark
Radio system	Radio system with 4-channel or above	4 channels: front and rear, steering, shifting, front and rear differential open or locking at the same time; 6 Channels: front and rear differential open or locked separately; Remote control of light system on or off.
Servo	Standard steering	Standard Servo with waterproof function. Strength greater than: 30kg
	Gearshift servo *1 Differentials lock Servo * 1 (Front and rear differential independent control requires 2 servos)	The size of 25g Servo as Figure 1
Electronic speed controller	Continuous current $\geq 80A$	ESC BEC output $>3A$
Motor	Model 550, 35T or above brush motor	Outline size not exceed: Assembly hole distance: 25mm
Brushless system	$>60A$ $<1800KV$ $\leq 3S$ LiPo	Gear m0.8 12T 14T 16T

Figure 1: (unit: mm)



CAUTIONS



To prevent serious personal injury and/or property damage, operate all remotely controlled models in a responsible manner as outlined herein.

● Safety Precautions

- 1.1 Choose a right place to operate your RC model.
- 1.2 Do not operate your RC model on the street or highway. It can cause a serious damage or a serious accident.
- 1.3 Never operate your RC model near people or animals.
- 1.4 Do not operate RC model in public places like hospital and residential areas.
- 1.5 Never operate RC model indoors. There is a higher possibility of fire or damage.
- 1.6 Keep the parts out of reach of children, small parts can cause choking and vinyl bags can suffocate.
- 1.7 Do not use with children younger than 14 years.

● Inspect your RC model before operation

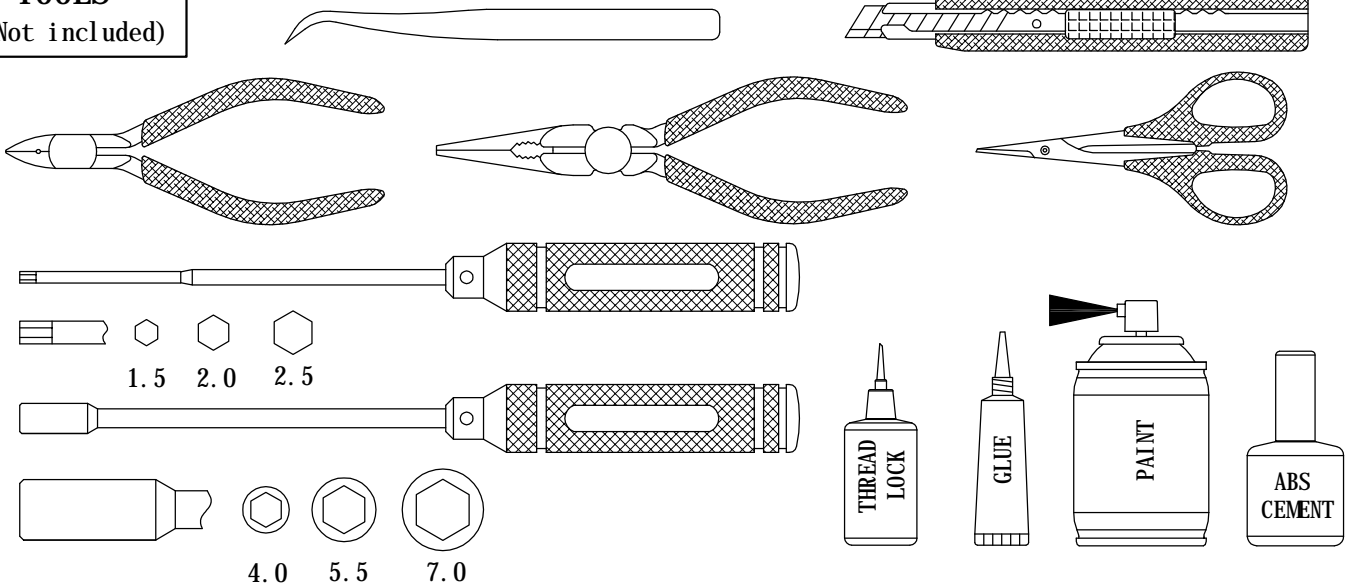
- 2.1 Make sure that all screws and nuts are properly tightened. It is also a good idea to use removable thread lock wherever metal screws go into metal, especially for engine mounts and the engine pilot shaft.
- 2.2 Always use fresh batteries for your transmitter and for your receiver to avoid losing control of the model.
- 2.3 Always test the brakes and throttle before starting your engine to avoid losing control of the model.
- 2.4 Always turn on the transmitter first, and then turn on the receiver.

● After operation of your RC model

- 3.1 Turn off receiver first, then turn off transmitter, this will prevent runaways.
- 3.2 Be careful when handling batteries, they will be hot after running.
- 3.3 Replace any batteries that have been dented or have frayed wires, short circuits can cause fire.

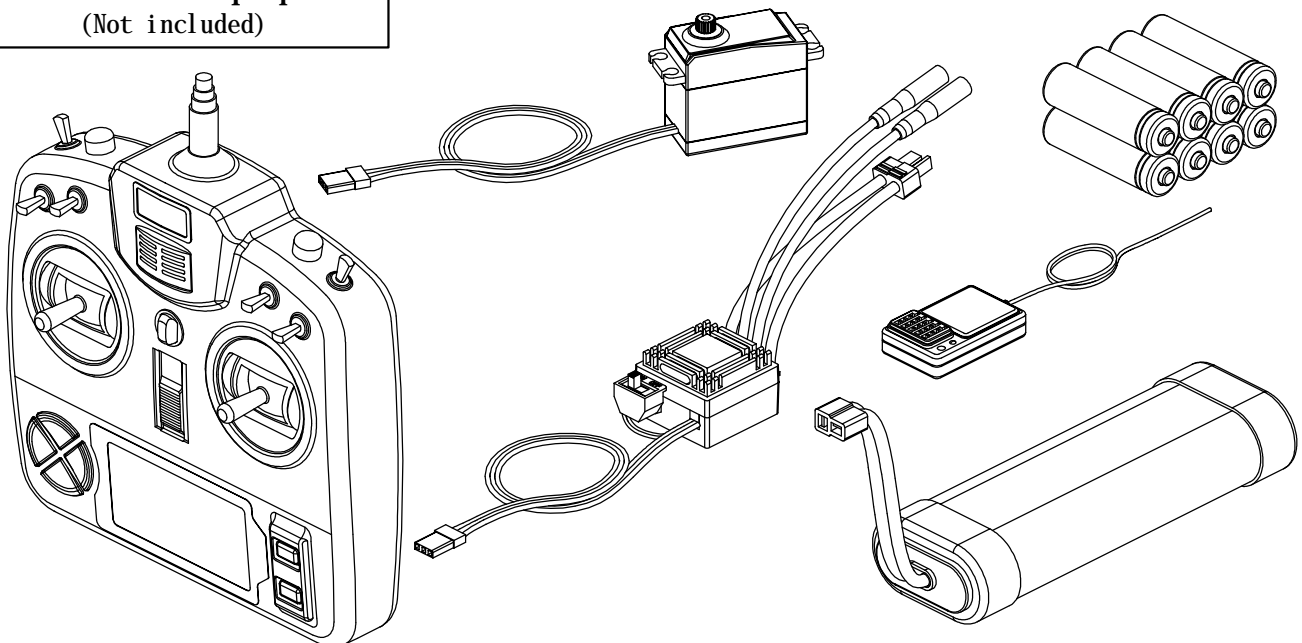
TOOLS

(Not included)

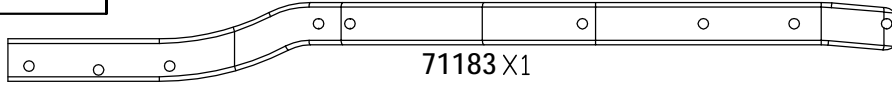


Electronic equipment

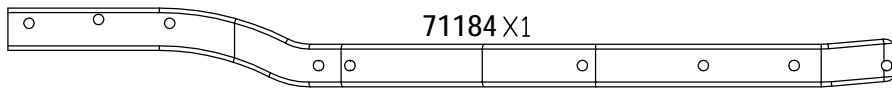
(Not included)



FRAME



71183 X1



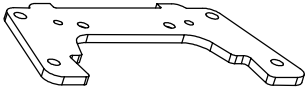
71184 X1



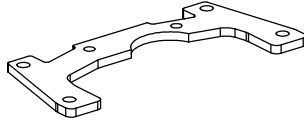
91006 X1



91007 X1



71186 X1



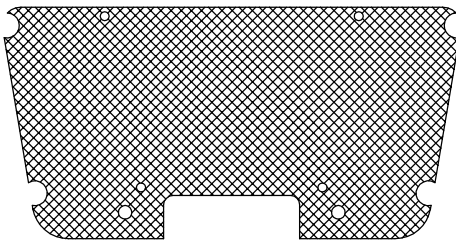
71187 X1



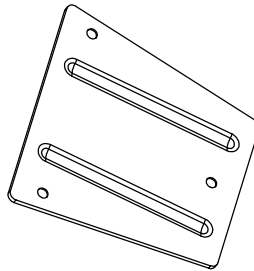
71188 X1



71225 X3



71191 X1



71189 X1



75017 X2

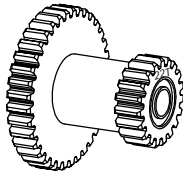


75016 X1

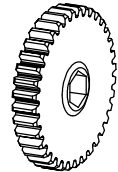
BAG(A)



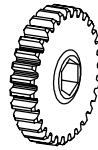
94044-12T X1



41525-36T/22T X1



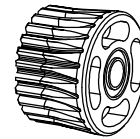
41526-33T X1



41527-30T X1



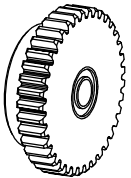
41529-18T X1



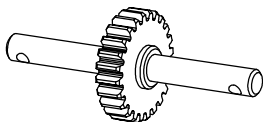
41528-25T X1



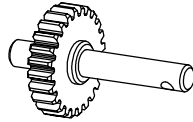
41531-16T X1



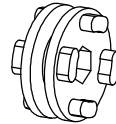
41530-37T X1



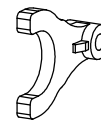
41545-24T X1



41532-24T X1



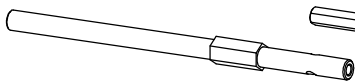
41513 X1



31405 X1



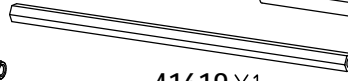
Ø5xØ10x4 X14
15003



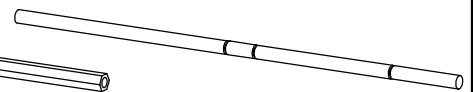
41540 X1



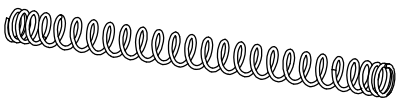
41618 X1



41619 X1



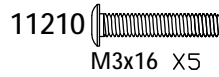
41541 X1



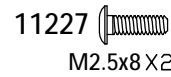
41384 X1



11207 M3x10 X4



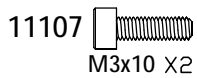
11210 M3x16 X5



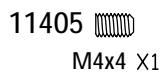
11227 M2.5x8 X2



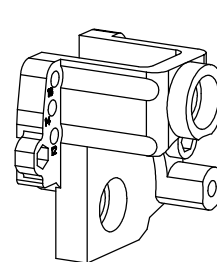
41539 X1



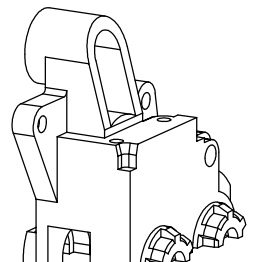
11107 M3x10 X2



11405 M4x4 X1



33602 X1



33601 X1



72007 X4



13006 X4



13003 X3



41616 X1

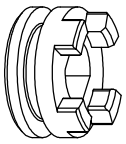


41617 X1

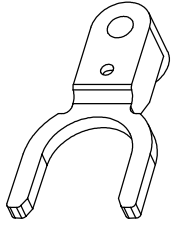


41712 Ø2.5x8 X1

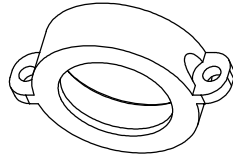
BAG(B)



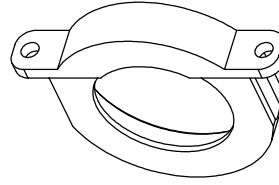
44097 X2



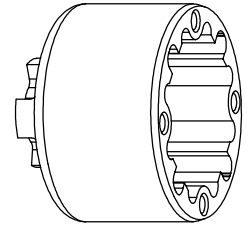
44096 X2



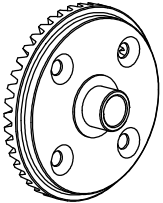
44098 X2



44099 X2



44116 X2



33603 X2



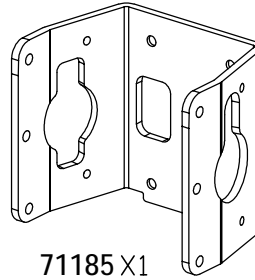
33605 X4



33604 X2



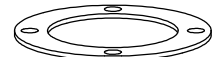
33606 X8



71185 X1



71190 X1



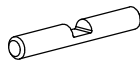
91119 X2



41385 X2



41703 X2



41700 X4



41701
ø2.5x12 X2



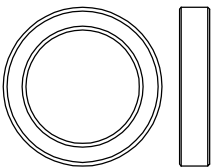
13006
ø5xø9.8x0.5 X2



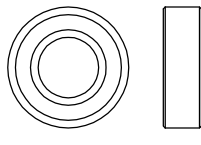
17006 X4



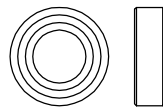
14108 X4



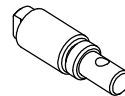
ø15xø21x4 X2
15011



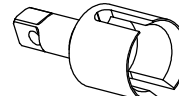
ø8xø16x5 X7
15009



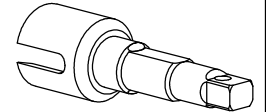
ø7xø13x4 X2
15010



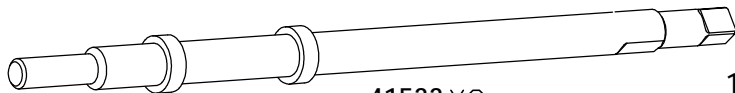
41543 X2



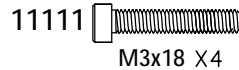
41538 X1



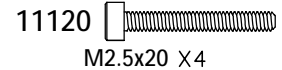
41537 X1



41533 X2



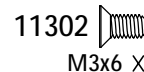
11111
M3x18 X4



11120
M2.5x20 X4



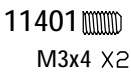
11106
M3x8 X2



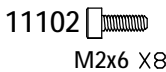
11302
M3x6 X1



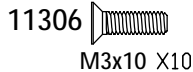
11303
M3x8 X1



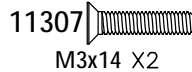
11401
M3x4 X2



11102
M2x6 X8



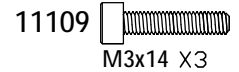
11306
M3x10 X10



11307
M3x14 X2

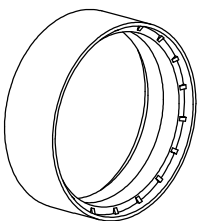


11107
M3x10 X2

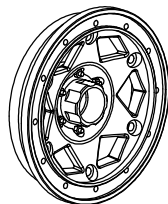


11109
M3x14 X3

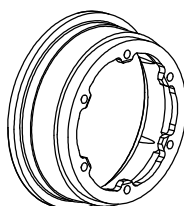
TIRES AND WHEELS



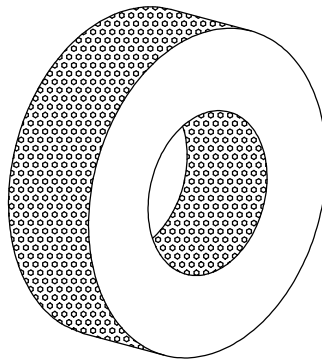
209903 X4



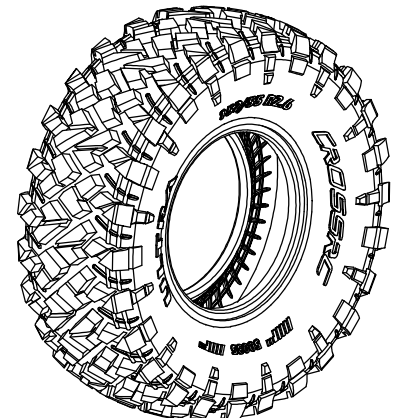
209902 X4



209901 X4

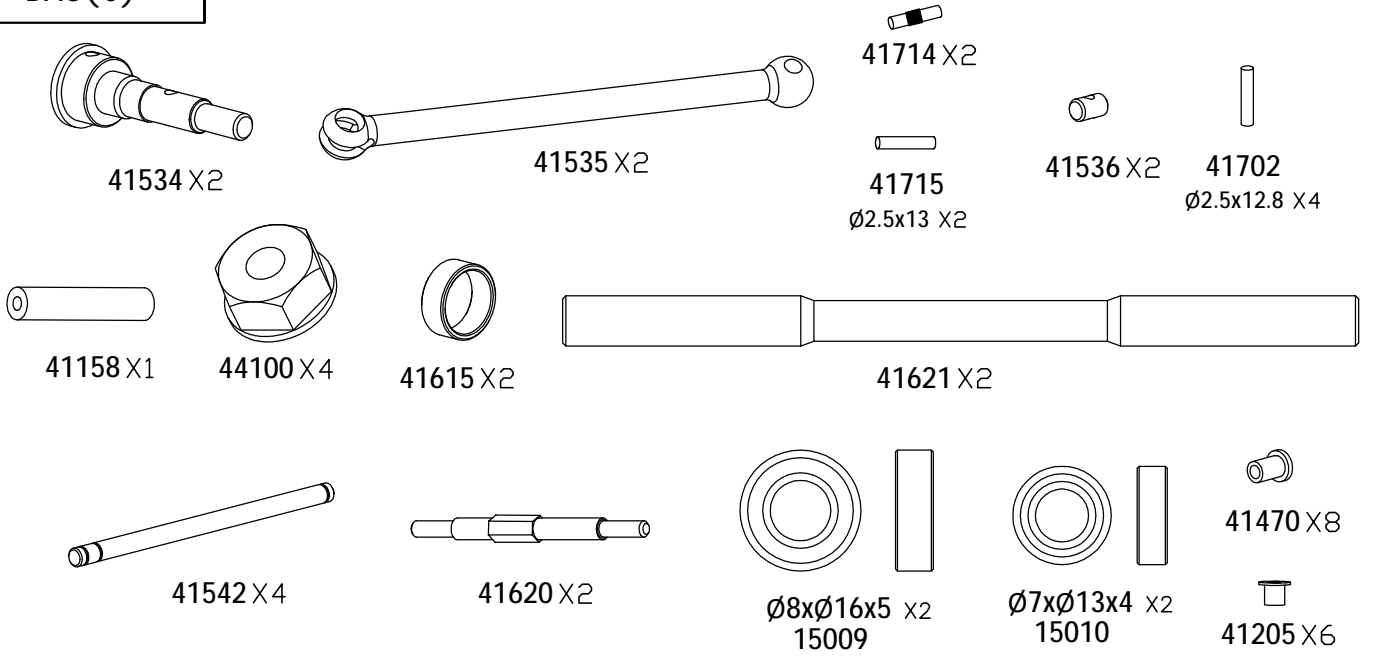


42322 X4

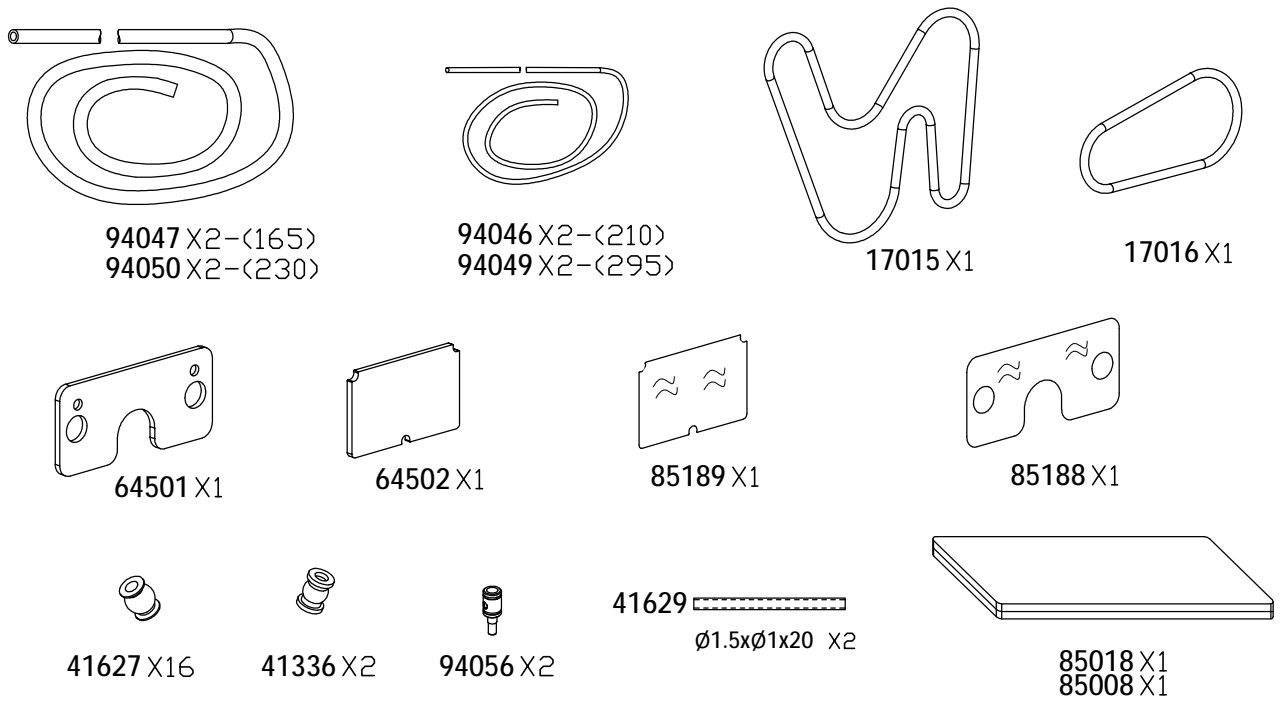


50035 X4

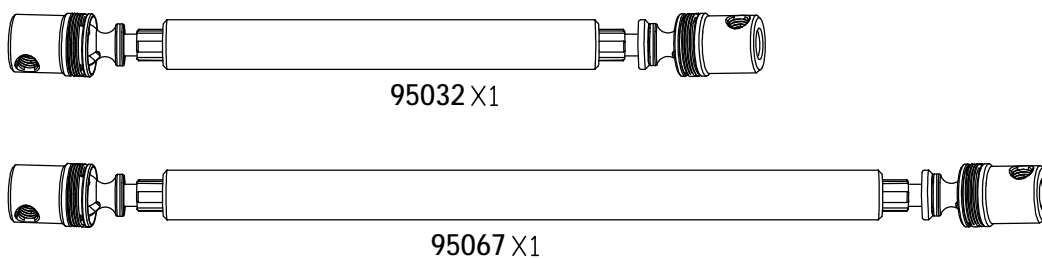
BAG(C)



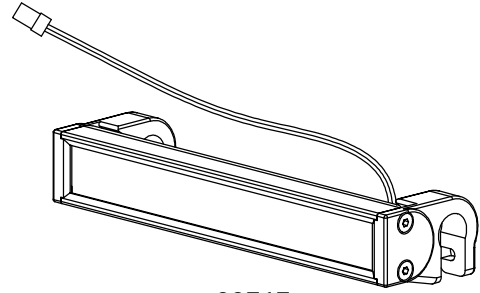
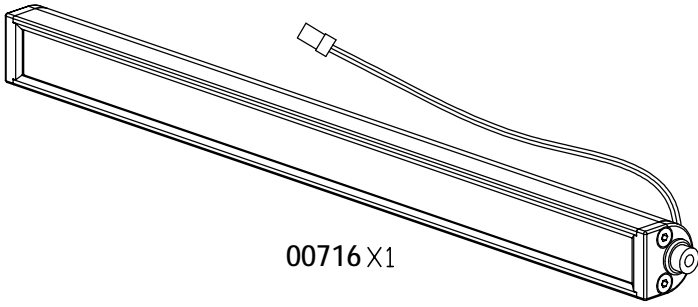
BAG(D)



BAG(E)



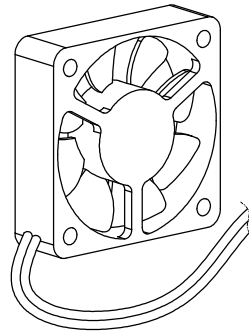
BAG(F)



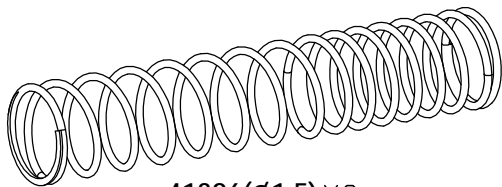
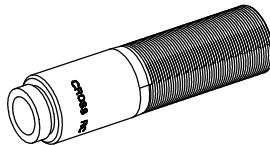
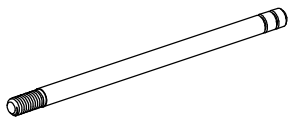
BAG(G)



87095 X1

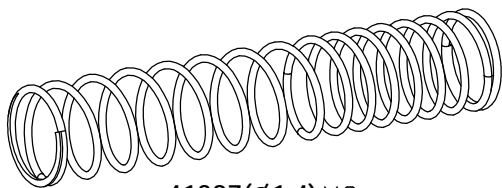



BAG(H)



17001 ———
Ø8xØ6xØ1 X4

14109 X4

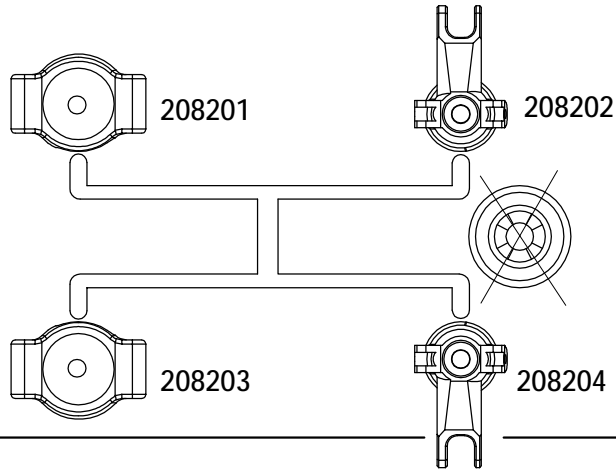


13003  |
Ø2.5xØ6x0.4 X8

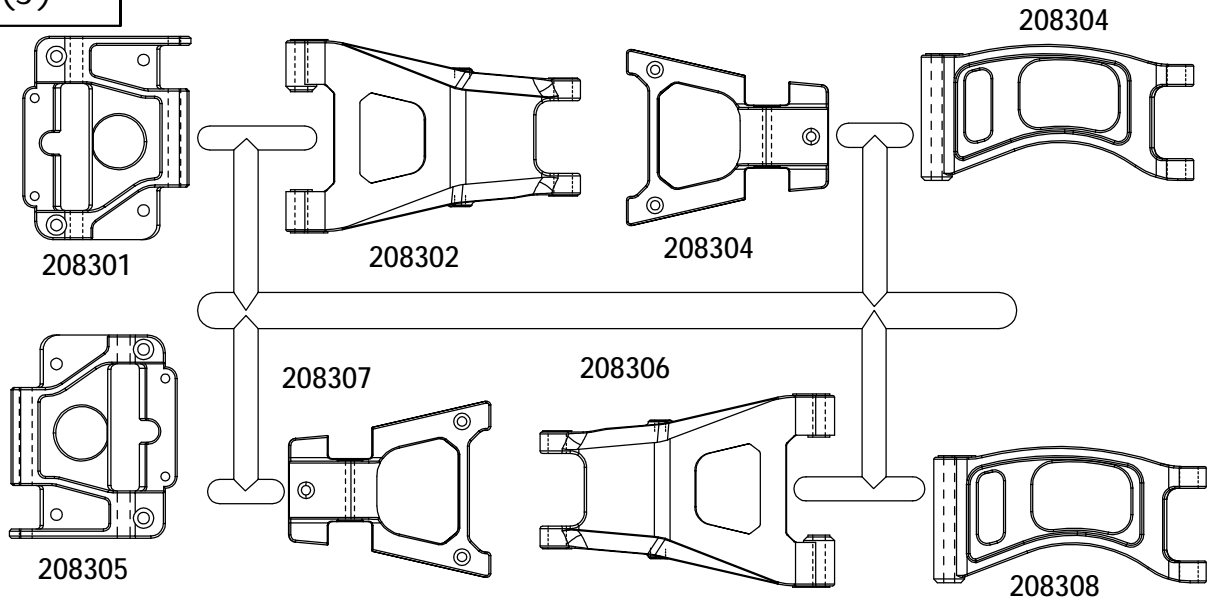
 X4
91128 X4

 X4
91129 X4

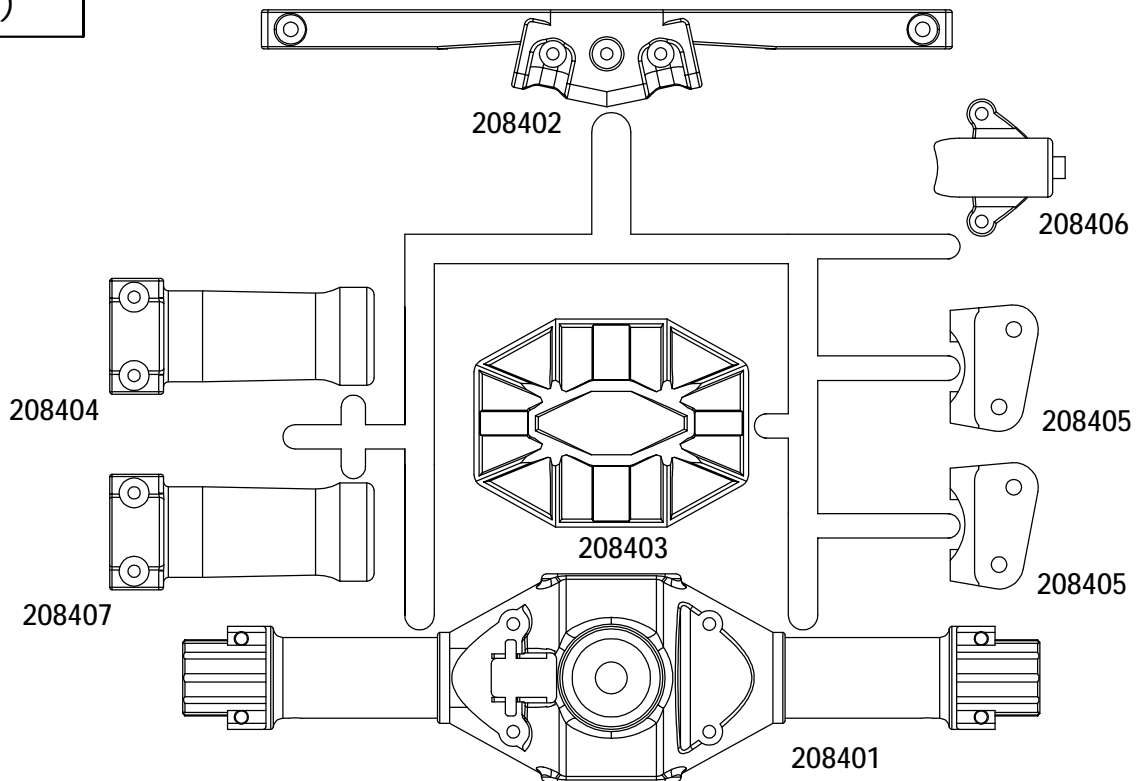
BAG(I)

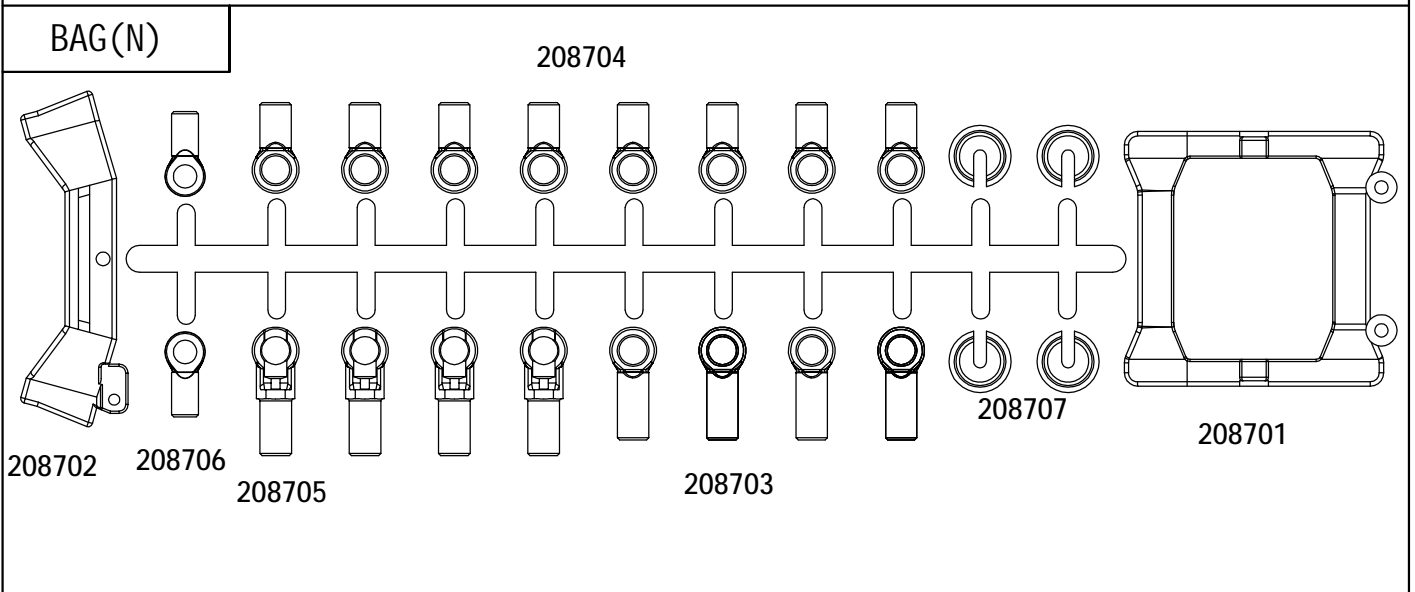
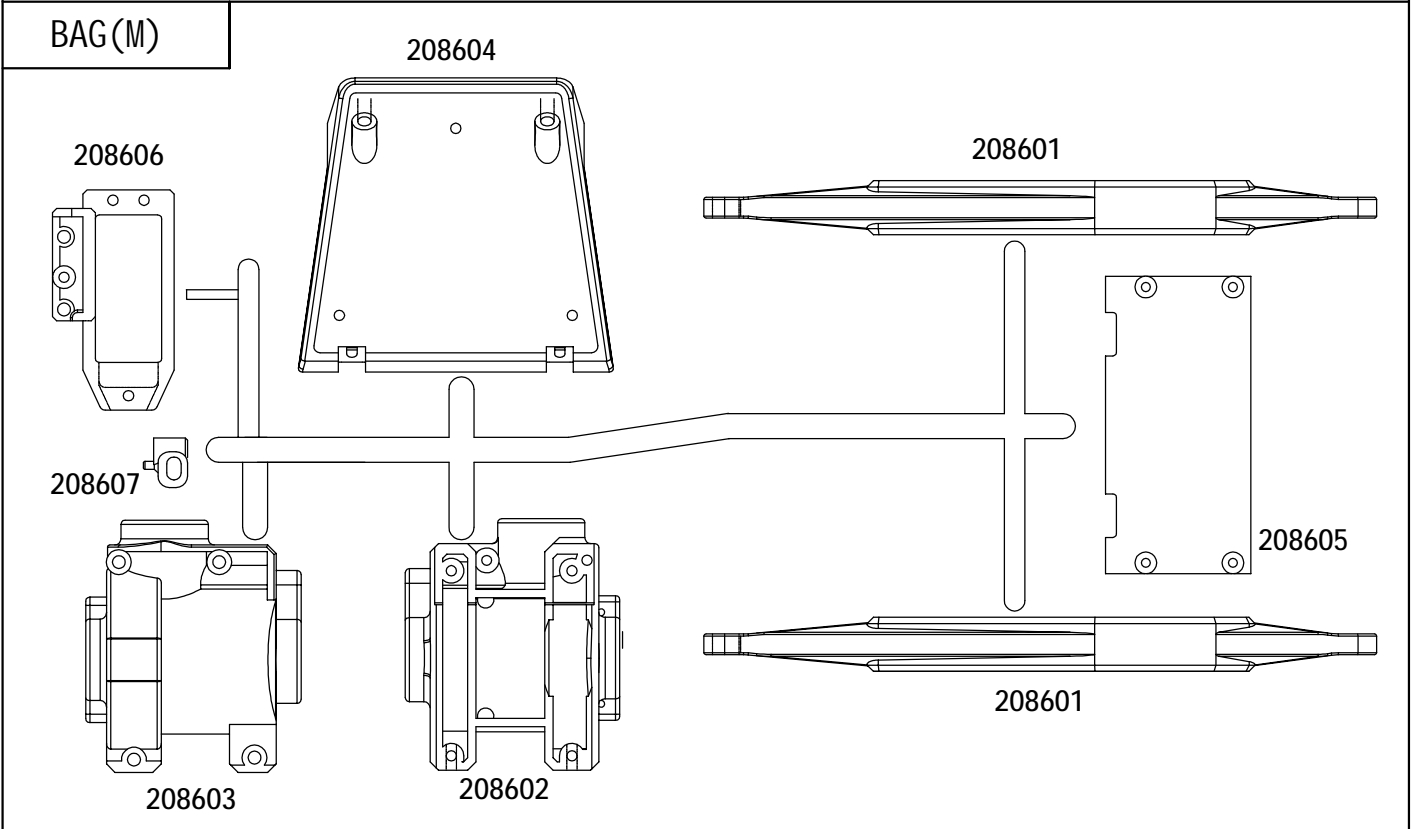
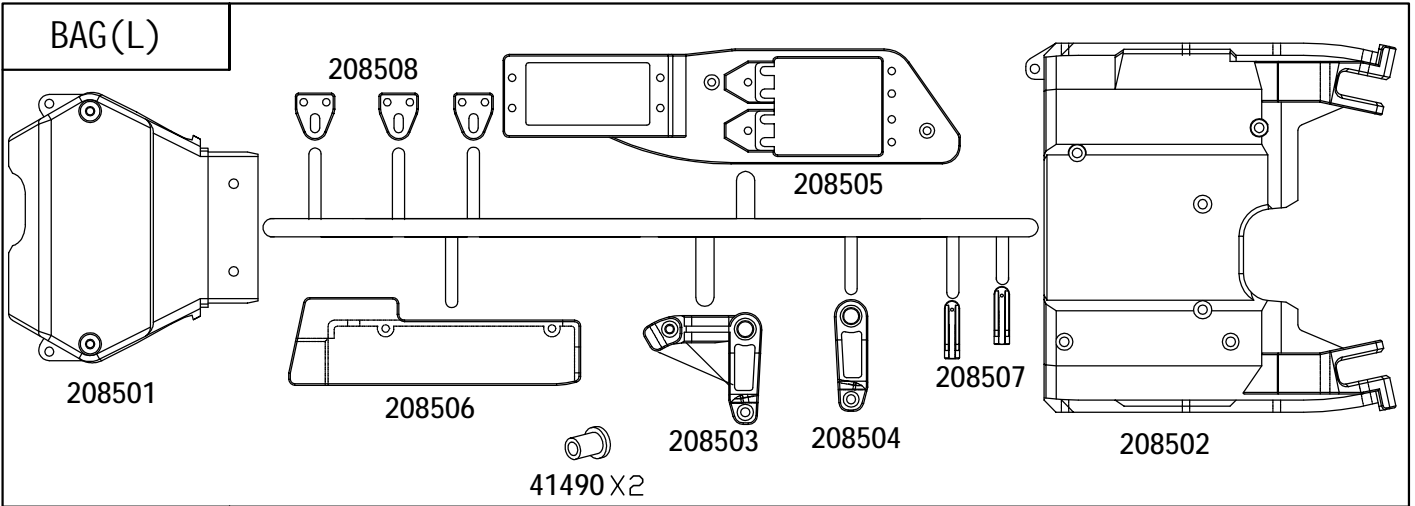


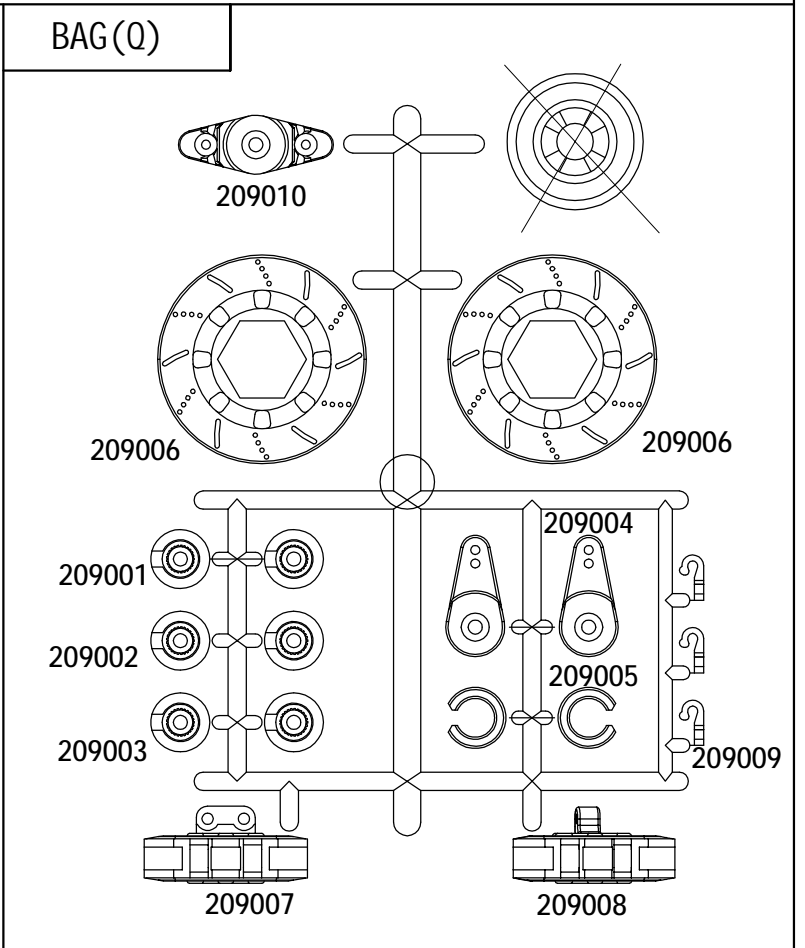
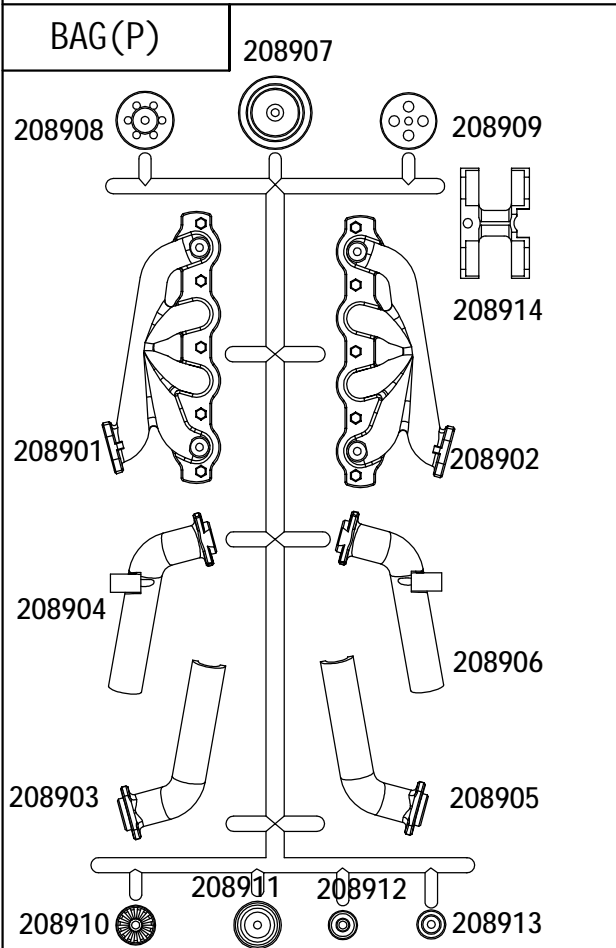
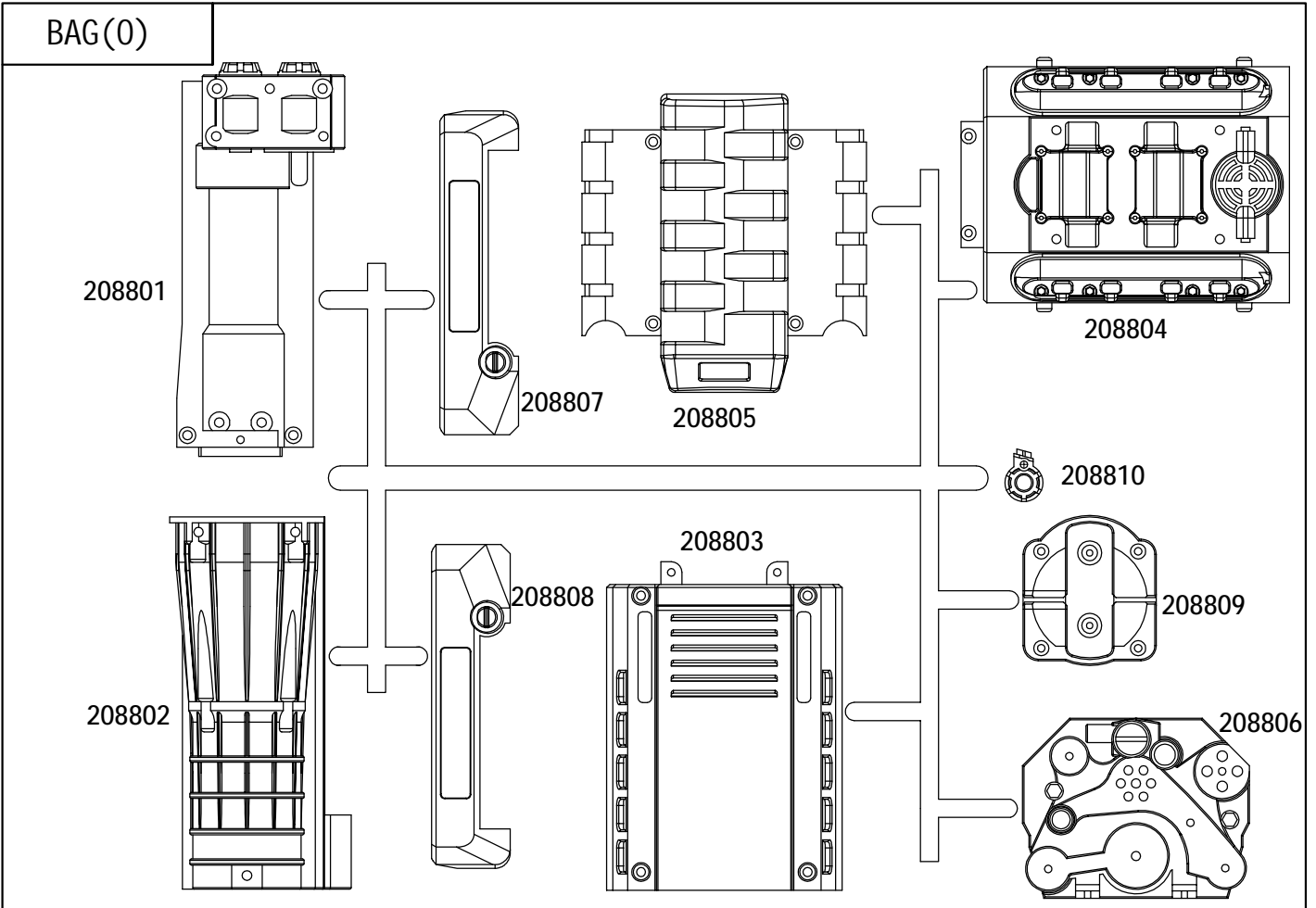
BAG(J)



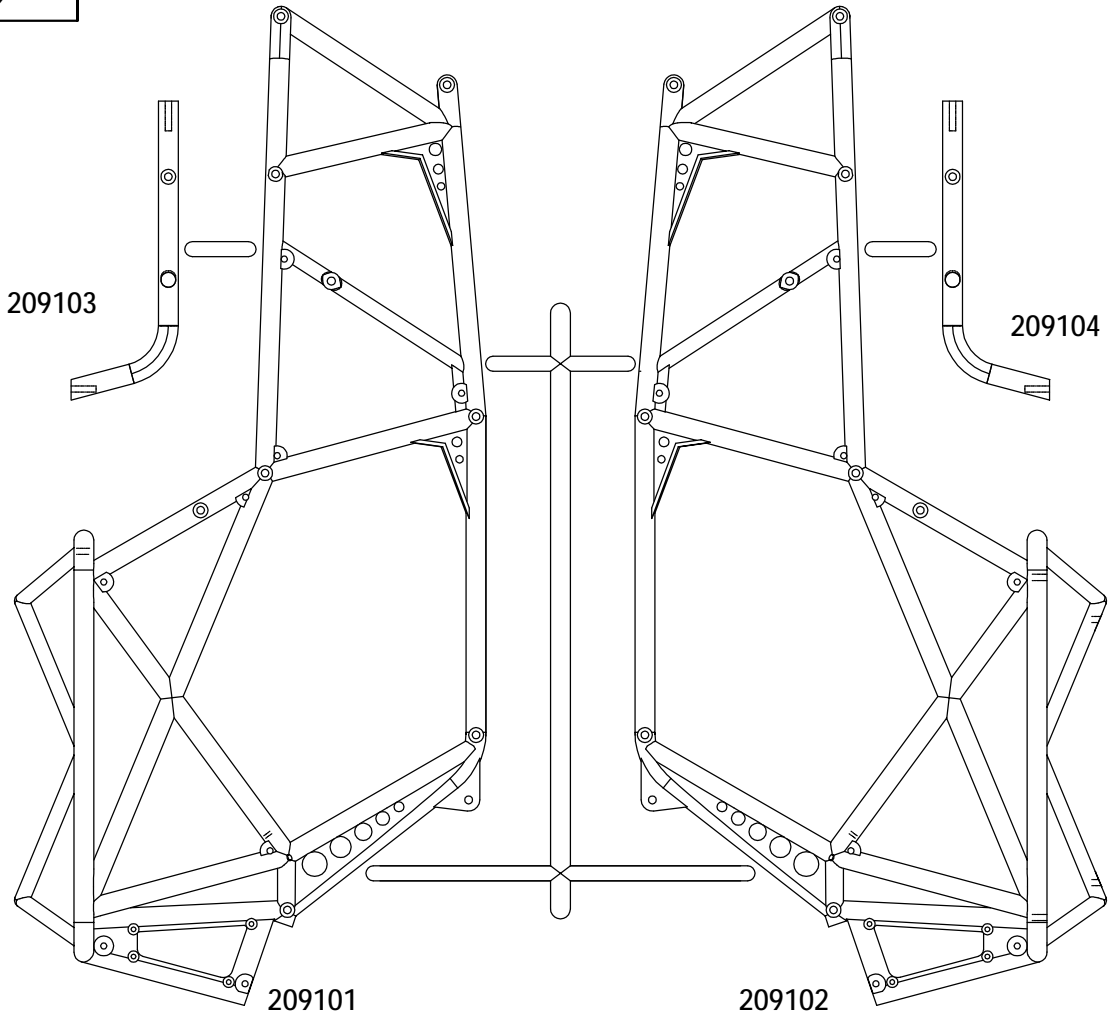
BAG(K)



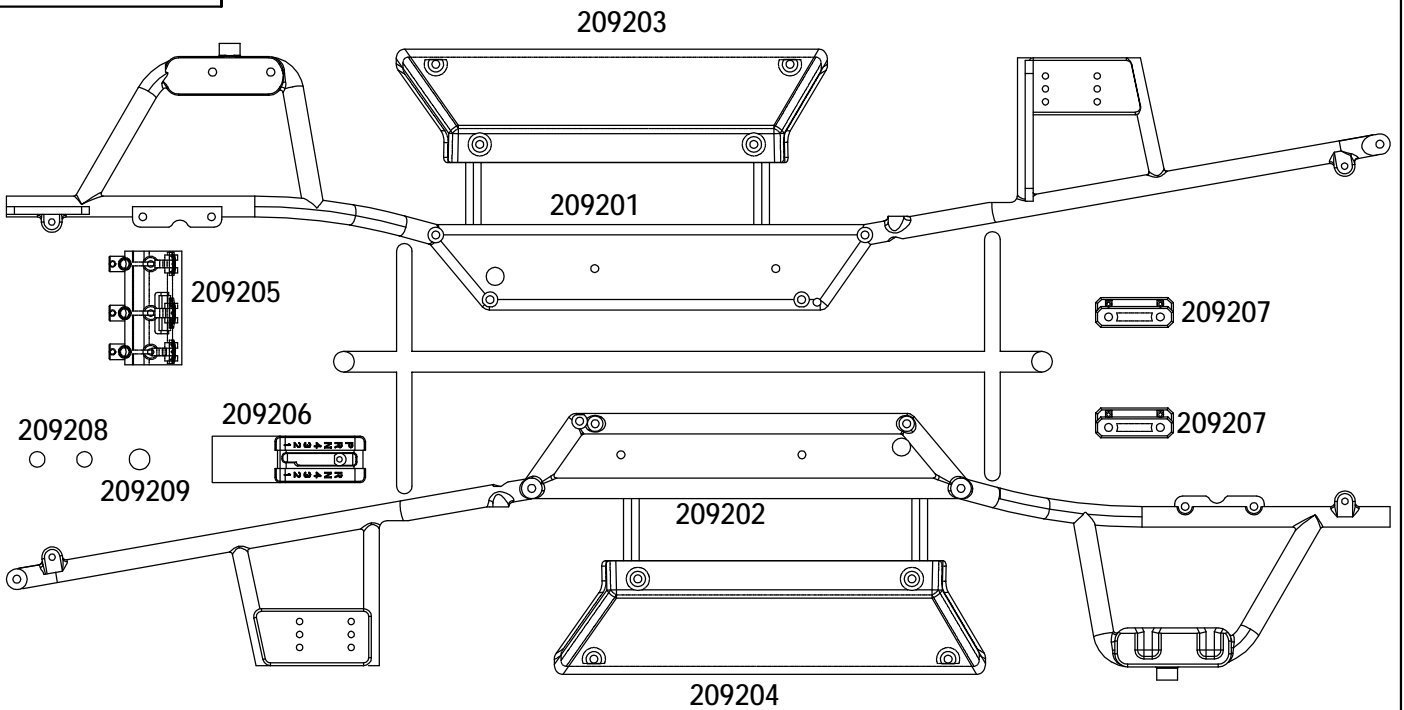


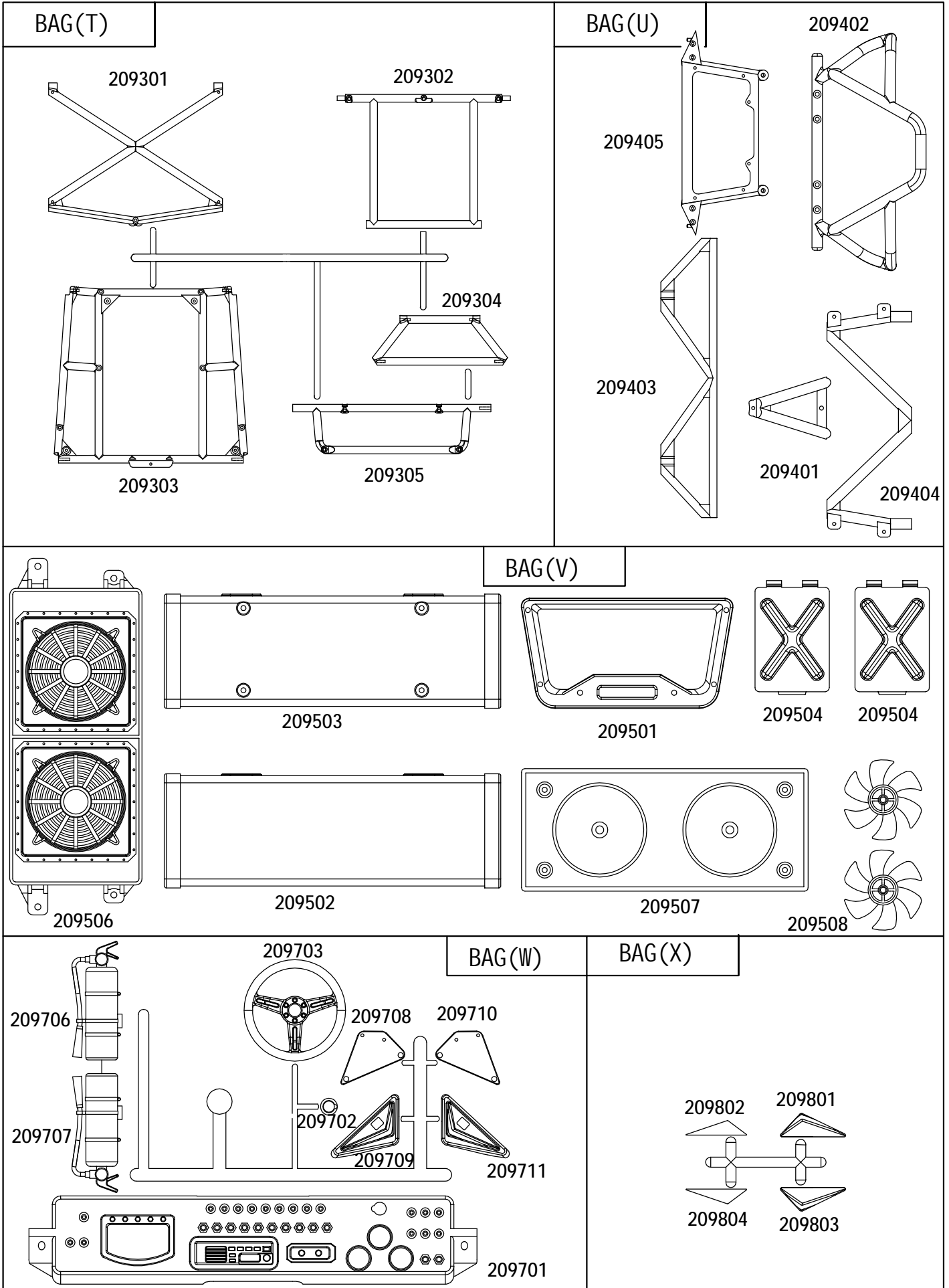


BAG(R)



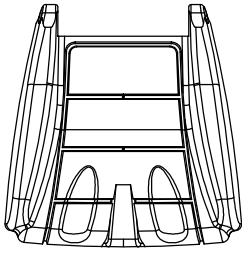
BAG(S)



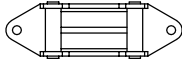


BAG(Y)

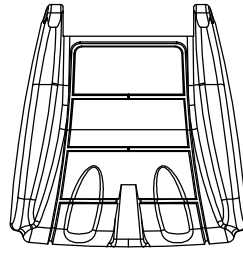
209601



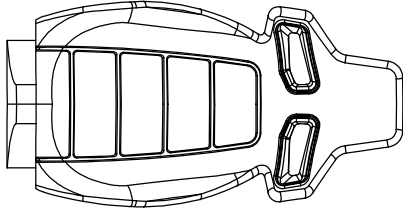
209604



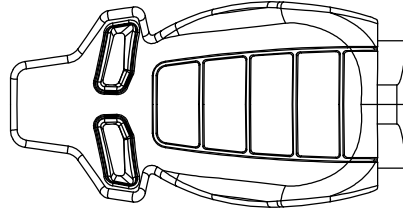
209601



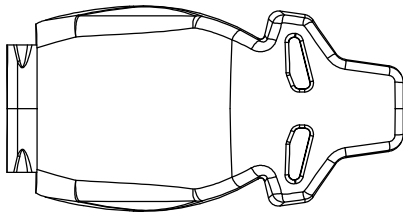
209602



209602



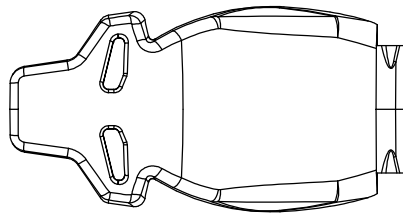
209603



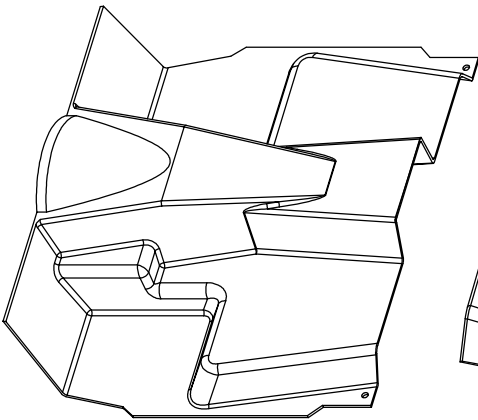
209605



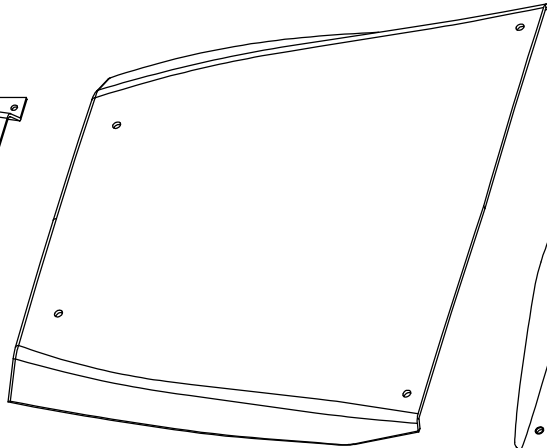
209603



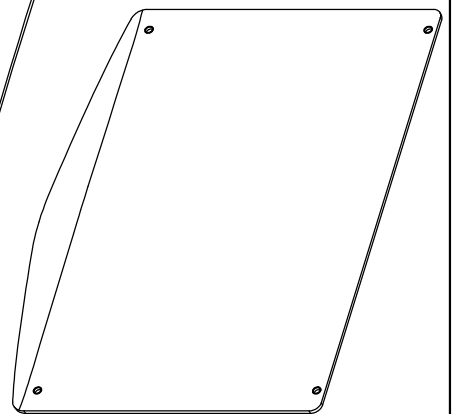
BAG(Z)



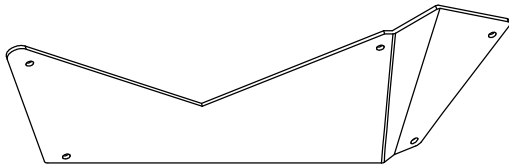
210001 X1



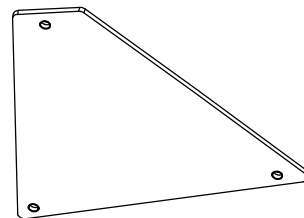
210101 X1



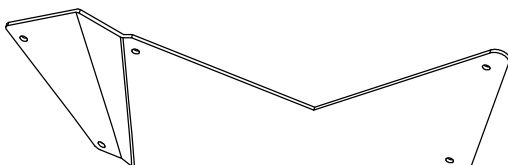
210102 X1



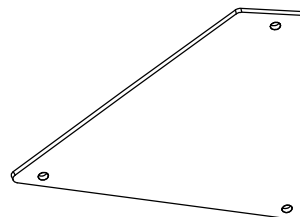
210202 X1



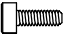





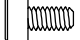















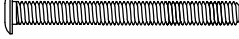
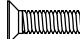



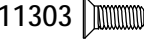









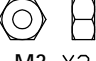
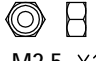
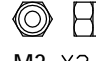

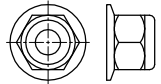
210203 X1




210201 X1

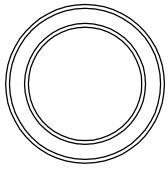


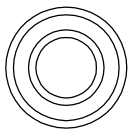
210204 X1

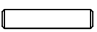
SCREW(A)				
11102  M2x6 X4	11109  M3x14 X8	11110  M3x16 X8	11107  M3x10 X51	
11106  M3x8 X7	11124  M3x32 X4	11105  M3x6 X4	11112  M3x20 X8	
11104  M2x10 X4	11125  M2.5x10 X2	11113  M3x22 X2	11123  M3x45 X2	
SCREW(B)				
11207  M3x10 X4	11229  M3x40 X4	11227  M2.5x8 X20	11210  M3x16 X11	
11205  M3x6 X25	11206  M3x8 X22	11214  M3x25 X3	11211  M3x18 X4	
11228  M2.5x12 X4	11212  M3x20 X2	11223  M3x30 X4		
SCREW(C)				
	11306  M3x10 X6	11307  M3x14 X6	11315  M2.5x6 X6	
	11313  M3x20 X3	11303  M3x8 X5		
SCREW(D)				
11405  M4x4 X4	11407  M3x16 X6	11409  M4x11 X4	13003  $\varnothing 2.5 \times \varnothing 6 \times 0.4 \times 4$	14102  $\varnothing 3 \times \varnothing 7 \times 0.5 \times 4$
SCREW(E)				
11906  M3x8 X30	11903  M3x10 X16	11904  M3x16 X42	11905  M3x20 X6	
Nut				
12103  M3 X2	12105  M2.5 X2	12206  M2 X2	12203  M3 X39	12305  M5 X4

1

11306  M3x10 X4

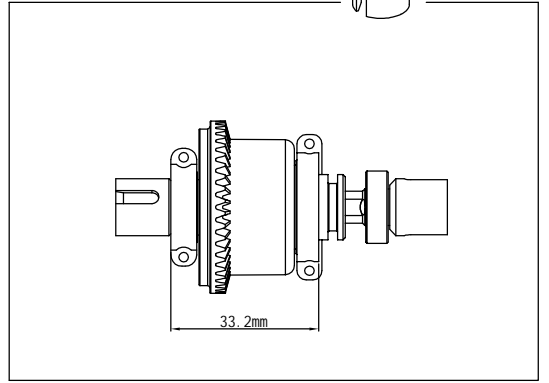
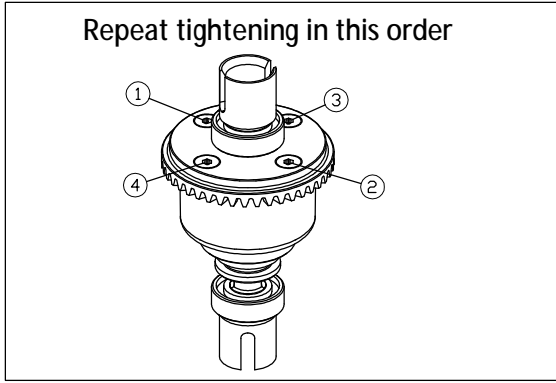
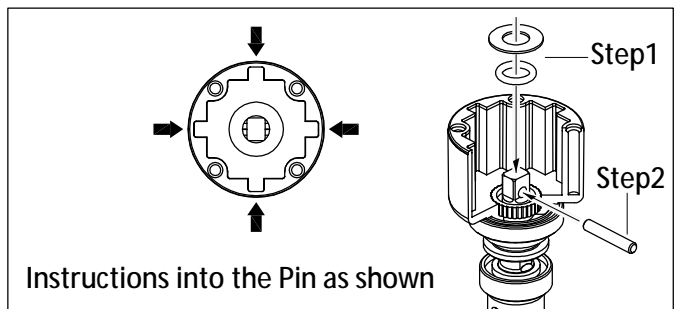
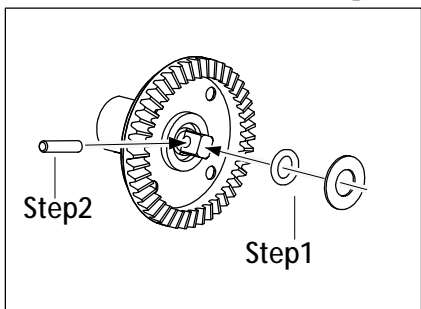
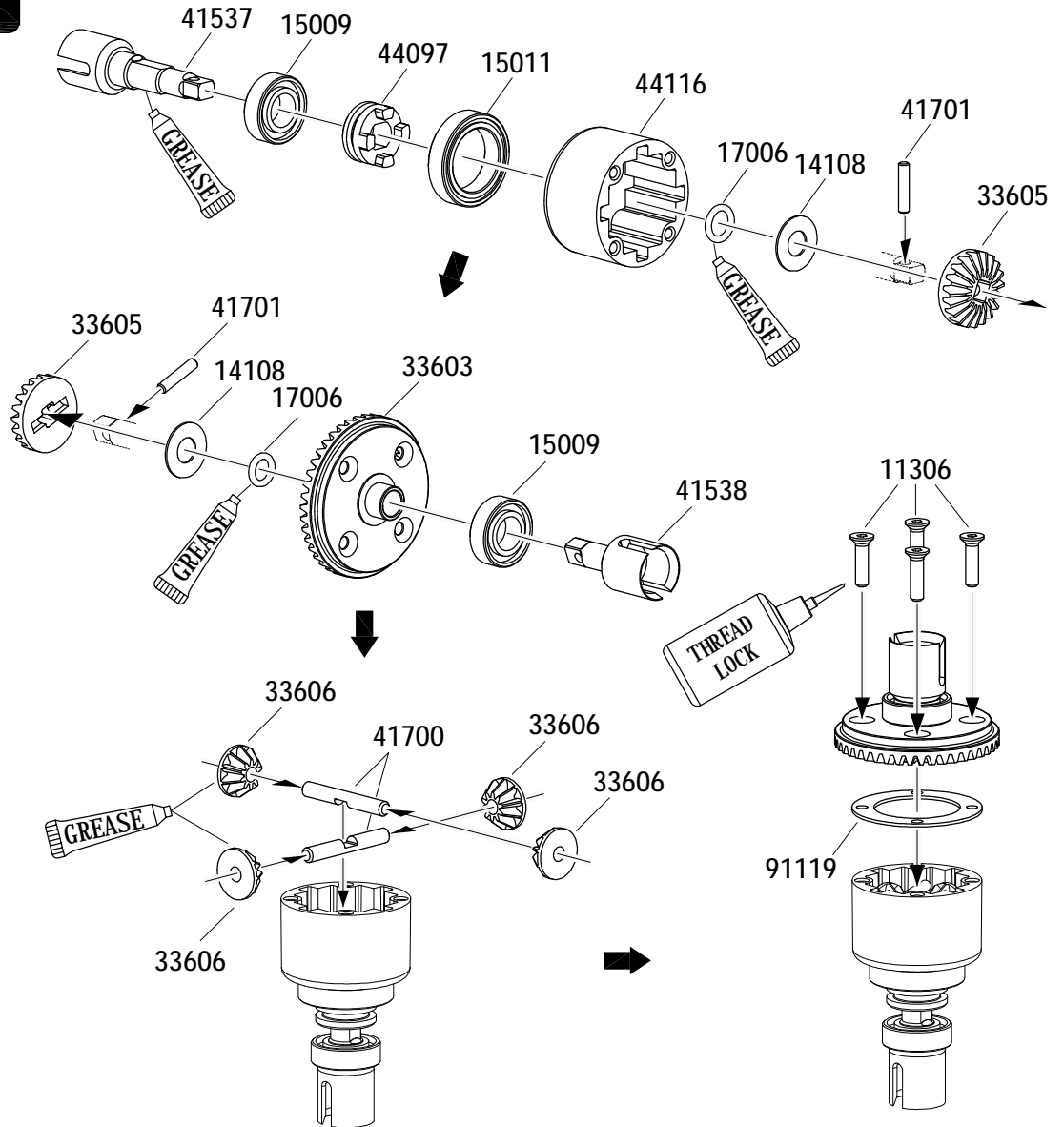

 $\varnothing 15 \times \varnothing 21 \times 4$ X1
 15011


 $\varnothing 8 \times \varnothing 16 \times 5$ X2
 15009





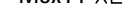
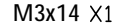
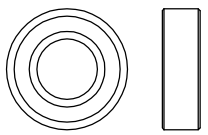




41701  M2.5x12 X2

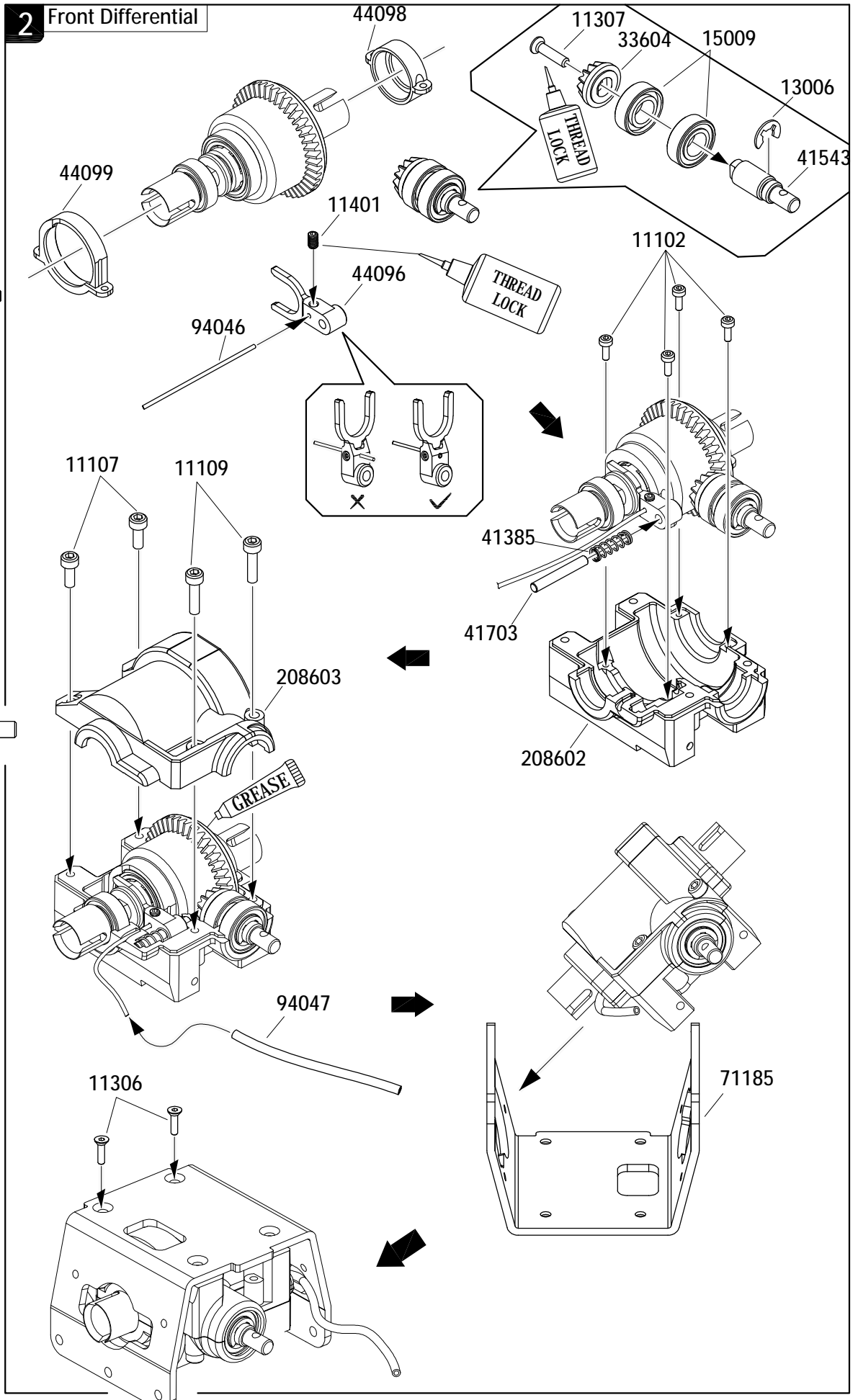


91007 X1

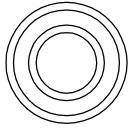
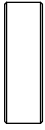


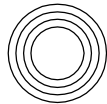

2 Front Differential

- 11401  M3x4 X1
- 11102  M2x6 X4
- 11107  M3x10 X2
- 11109  M3x14 X2
- 11307  M3x14 X1
- 11306  M3x10 X2
- 
Ø8xØ16x5 X2
15009
- 41703  M3x21 X1
- 13006 
Ø5xØ9.8x0.5 X1
- 
THREAD LOCK
- 
GREASE
- 91007 X1

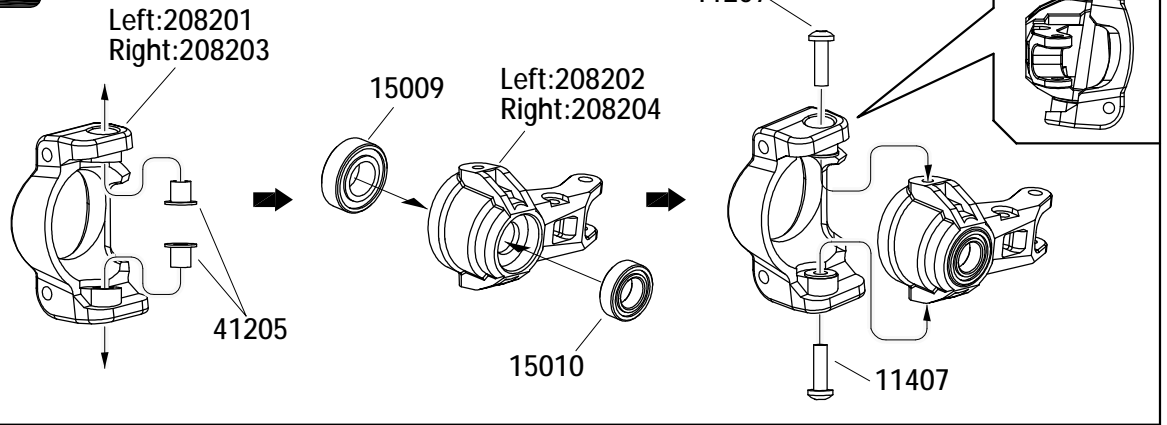



11207  M3x10 X4

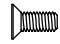
 
 Ø8xØ16x5 X2
 15009



 
 Ø7xØ13x4 X2
 15010

3 LEFT SIDE Assemble both right and left sides

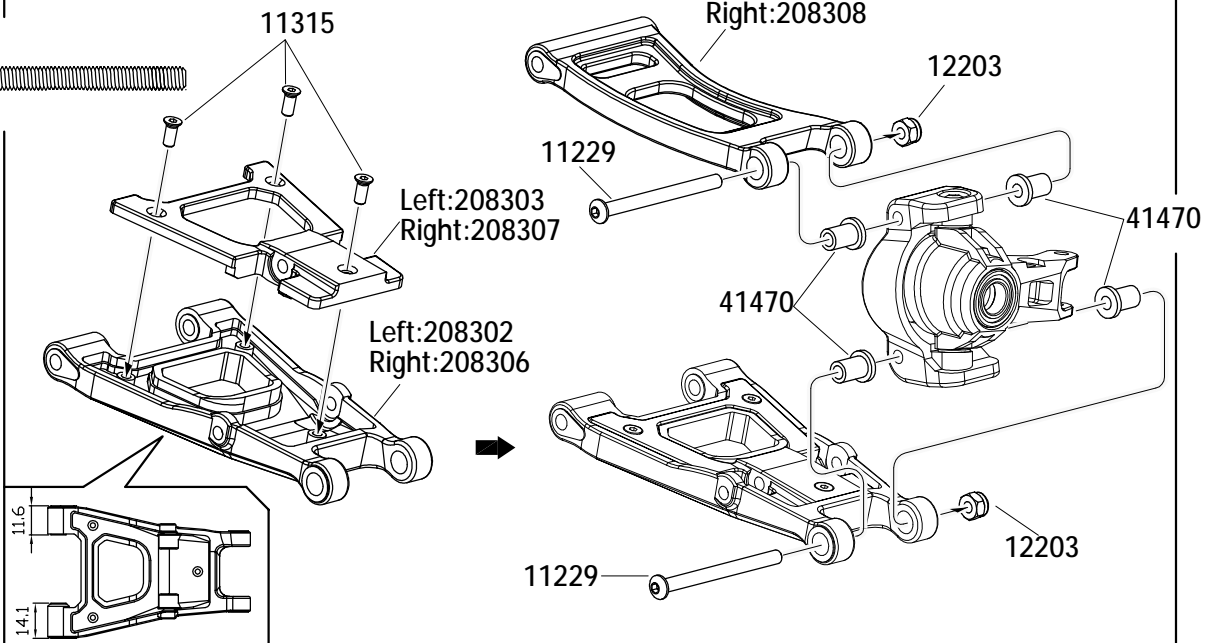


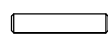
11229  M3x40 X4

11315  M2.5x6 X6

12203   M3 X4

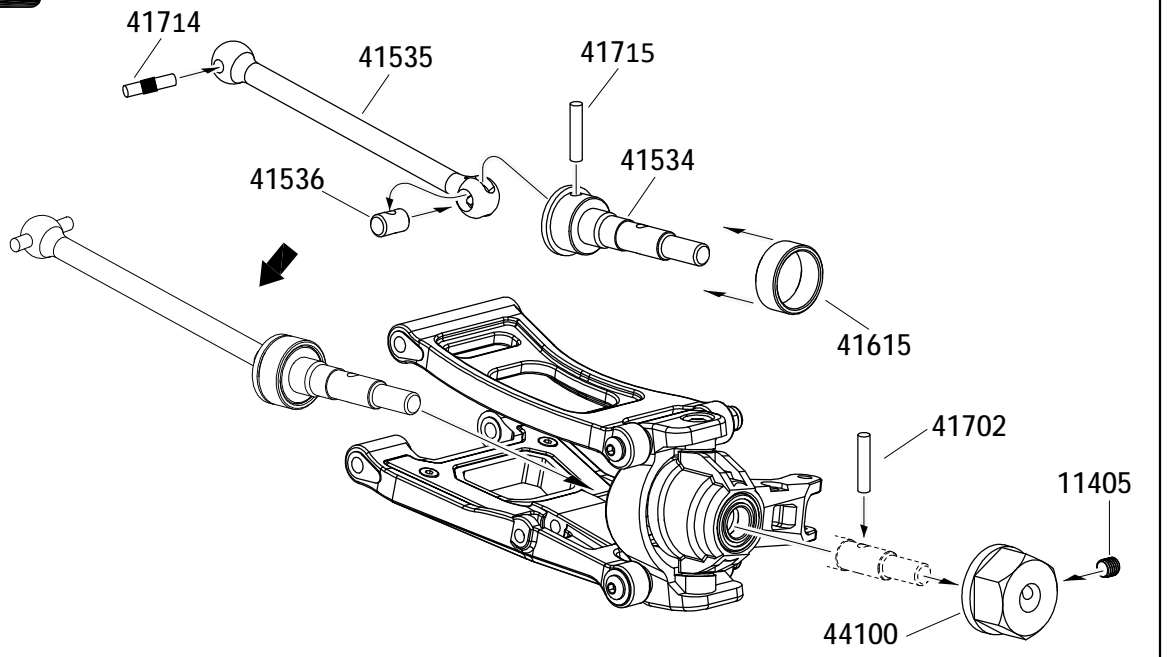
4 LEFT SIDE Assemble both right and left sides



41702  M2.5x12.8 X 2


11405  M4x4 X2

5 LEFT SIDE Assemble both right and left sides

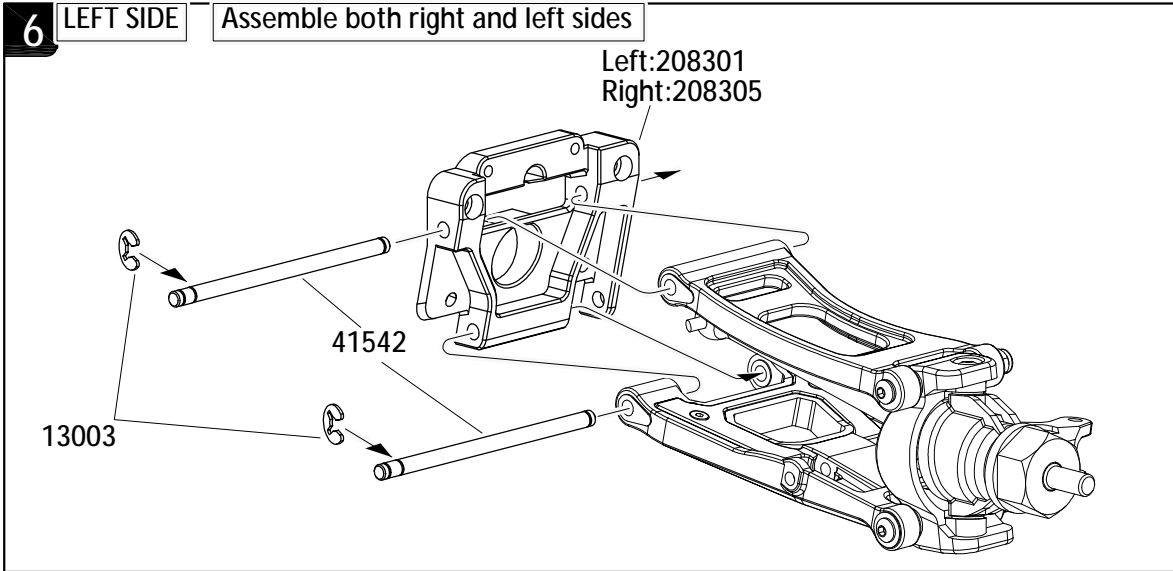


6 LEFT SIDE Assemble both right and left sides

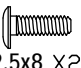
Left:208301
Right:208305

13003  $\varnothing 2.5 \times \varnothing 6 \times 0.4 \times 4$

41542



7 LEFT SIDE Assemble both right and left sides

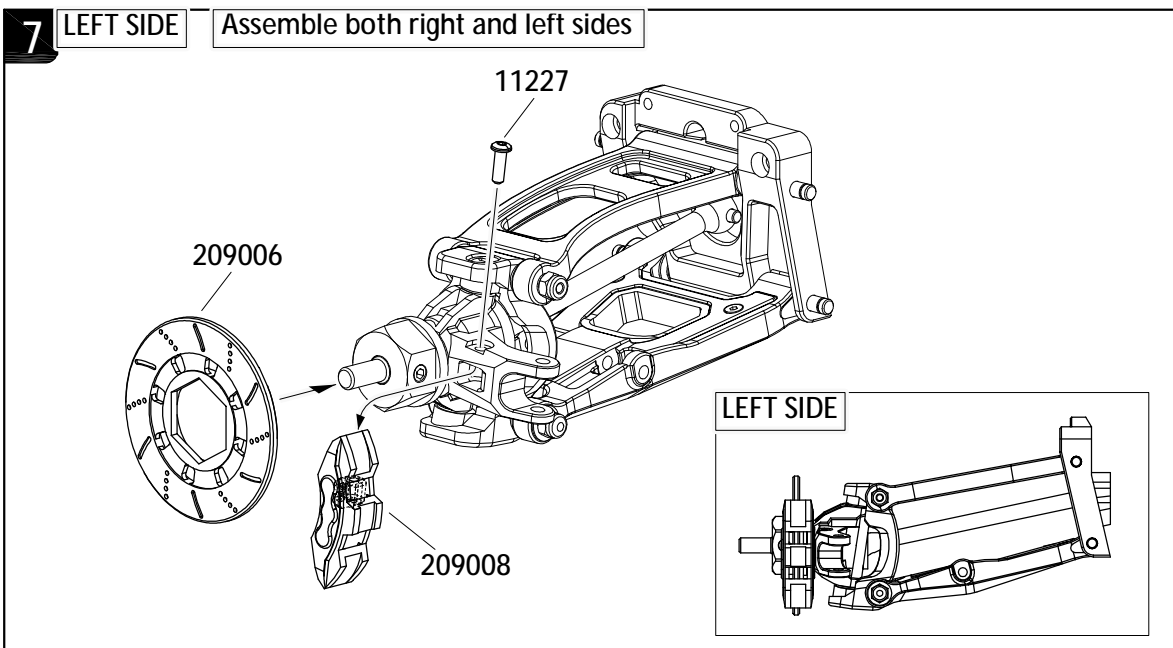
11227  M2.5x8 X2

209006

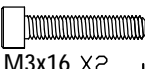
209008

11227

LEFT SIDE



8

11110  M3x16 X2

41490

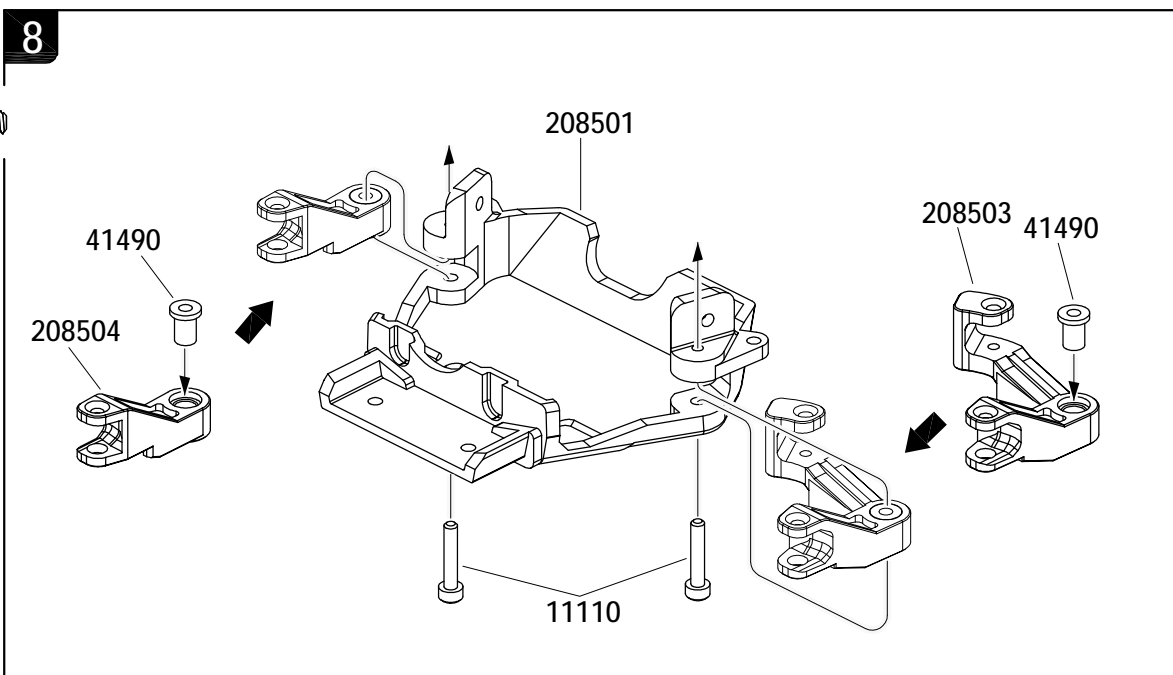
208504

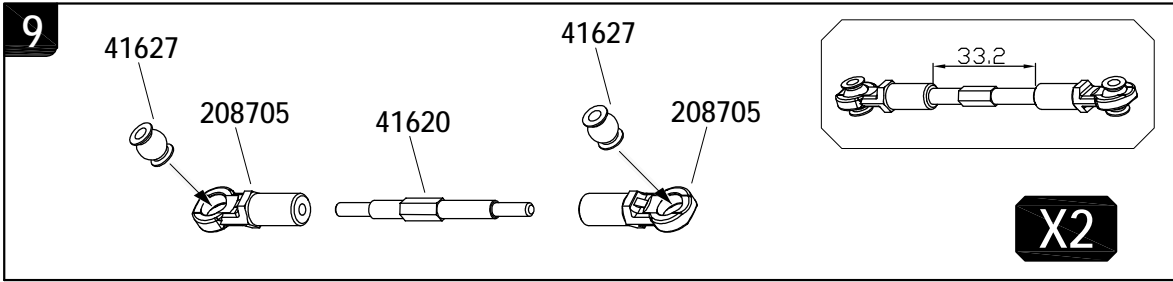
208501

208503

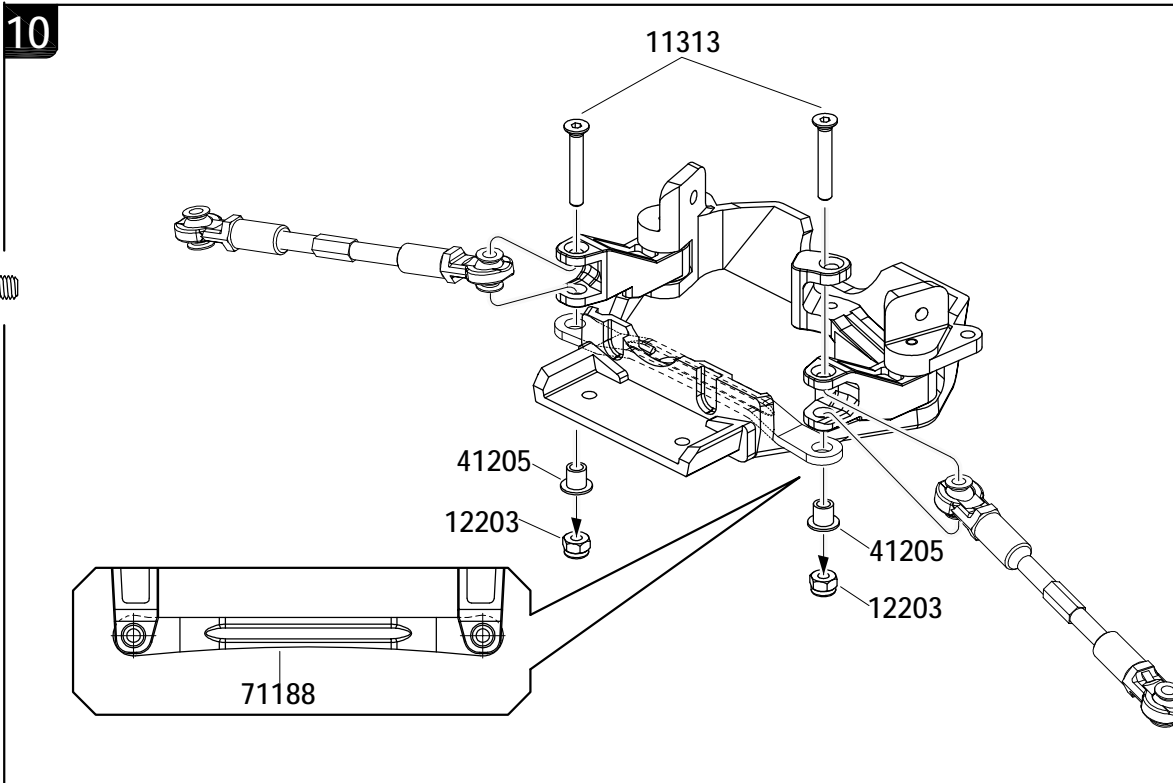
41490

11110



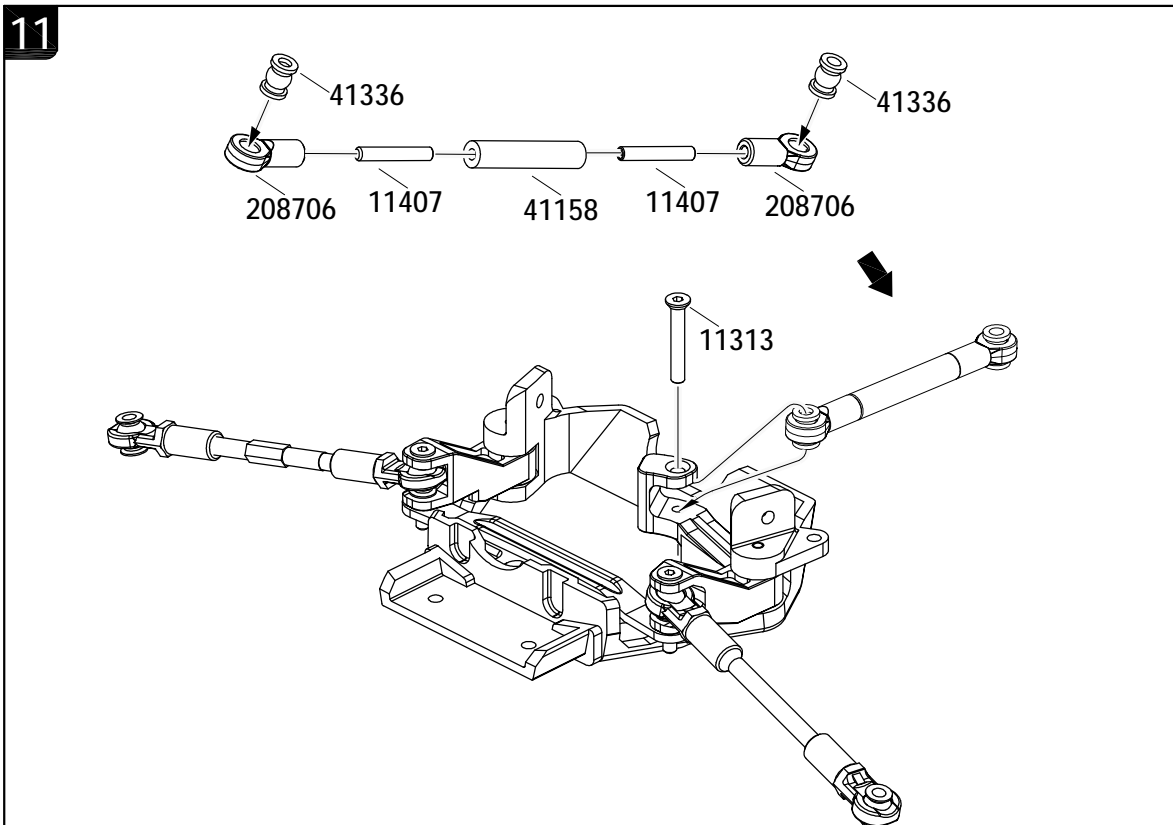


41627
Ø6.8x8 X4



11313
M3x20 X3


12203
M3 X2

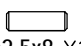


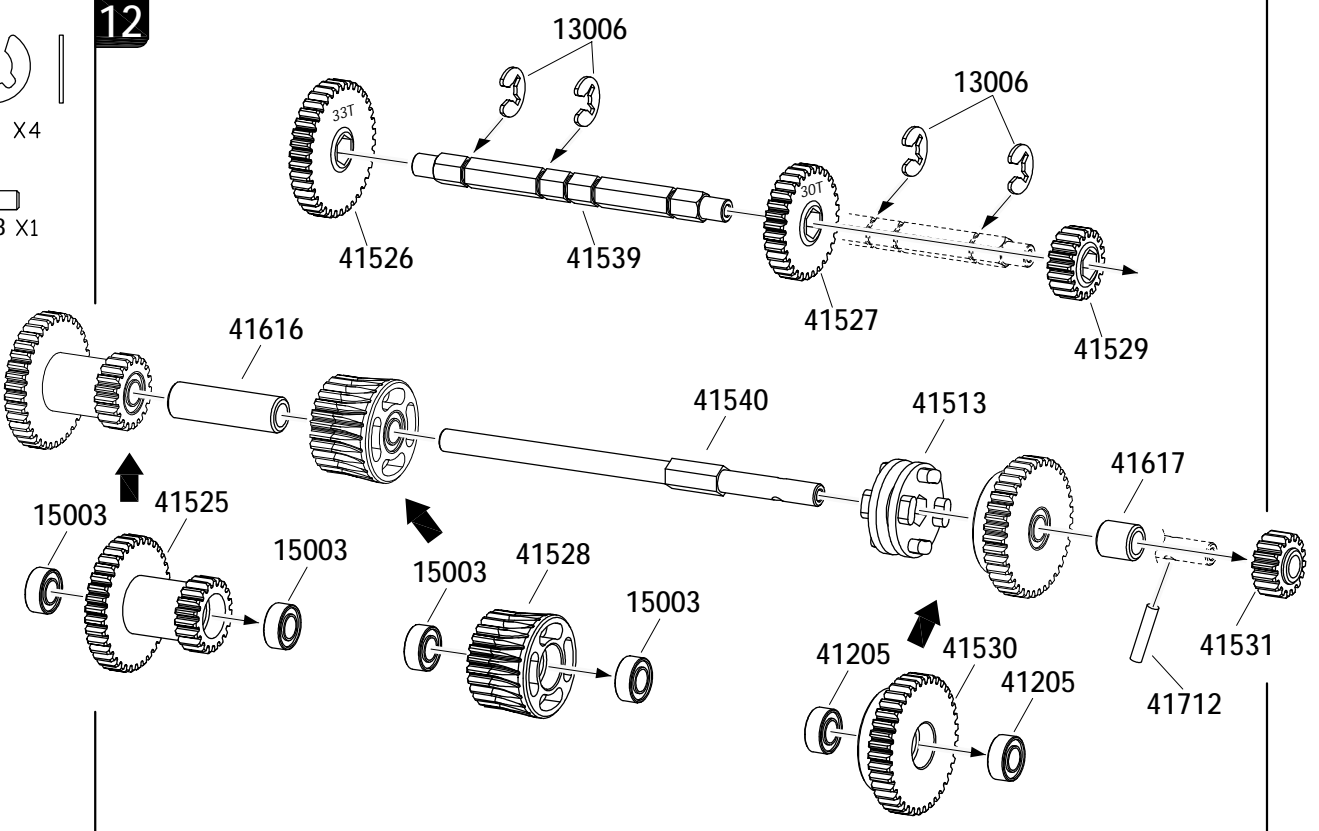
41336
Ø4.8x8 X2

11407
M3x16 X2


12

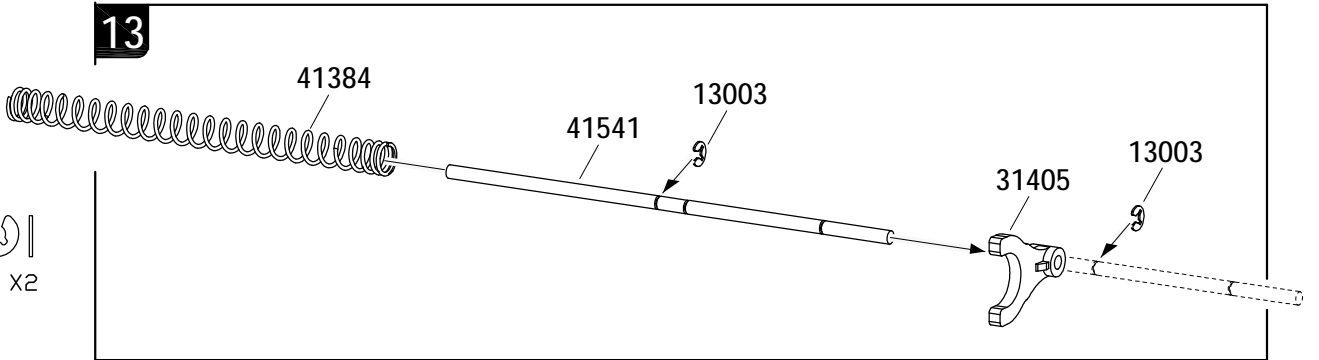
13006 
 Ø5xØ9.8x0.5 X4

41712 
 Ø2.5x8 X1

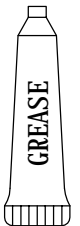



13

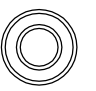
13003 
 Ø2.5xØ6x0.4 X2

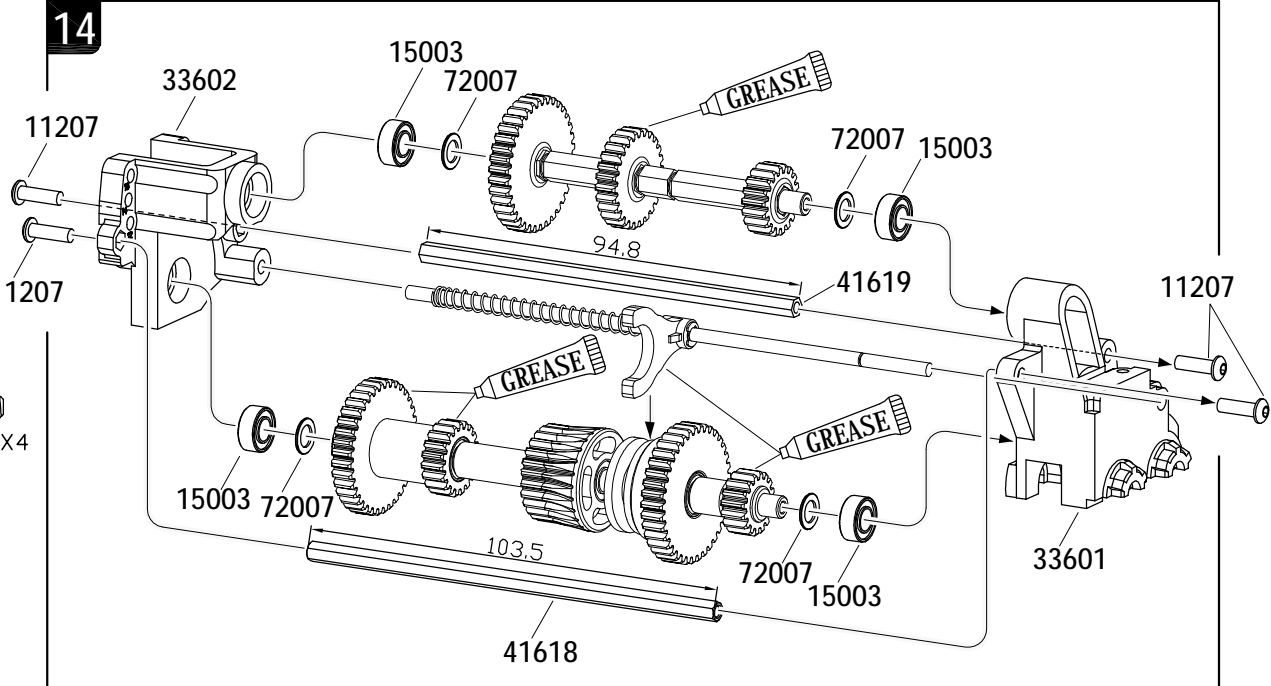



14

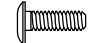

 91007 X1


11207 
 M3x10 X4


 Ø5xØ10x4 X10
 15003



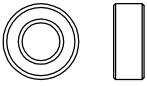
13003 
 Ø2.5xØ6x0.4 X1

11227 
 M2.5x8 X1

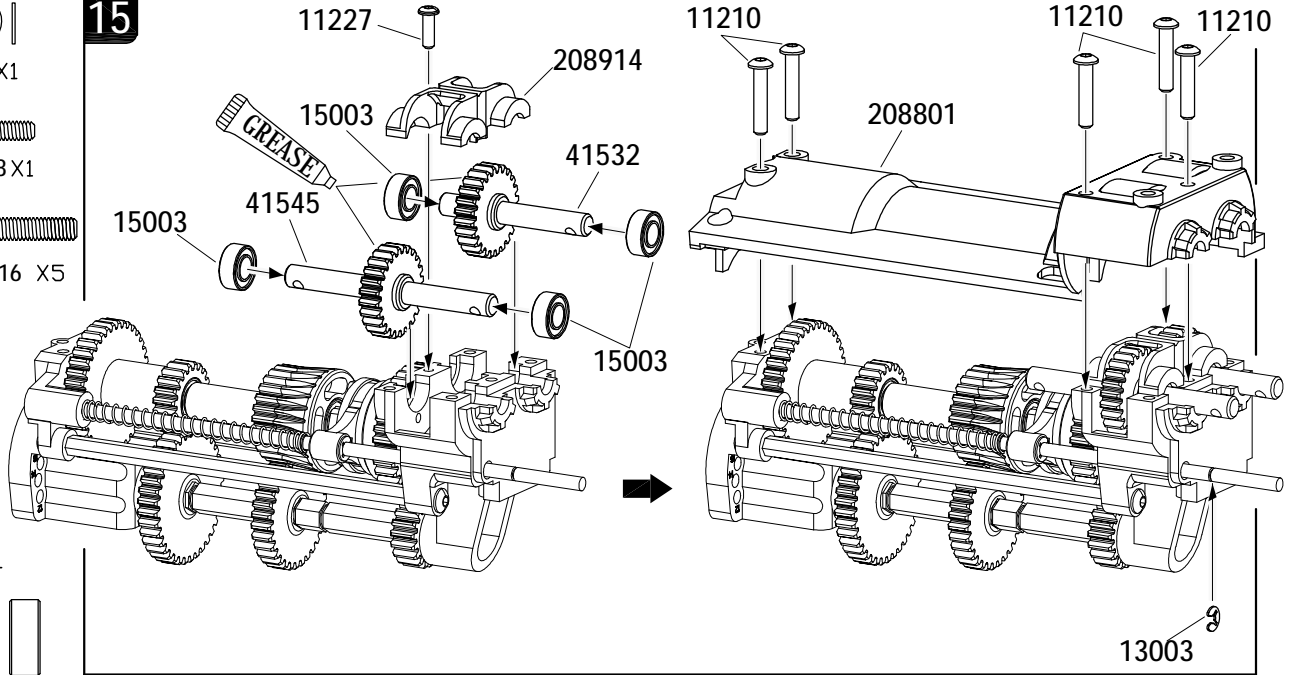
11210 
 M3x16 X5




91007 X1




15



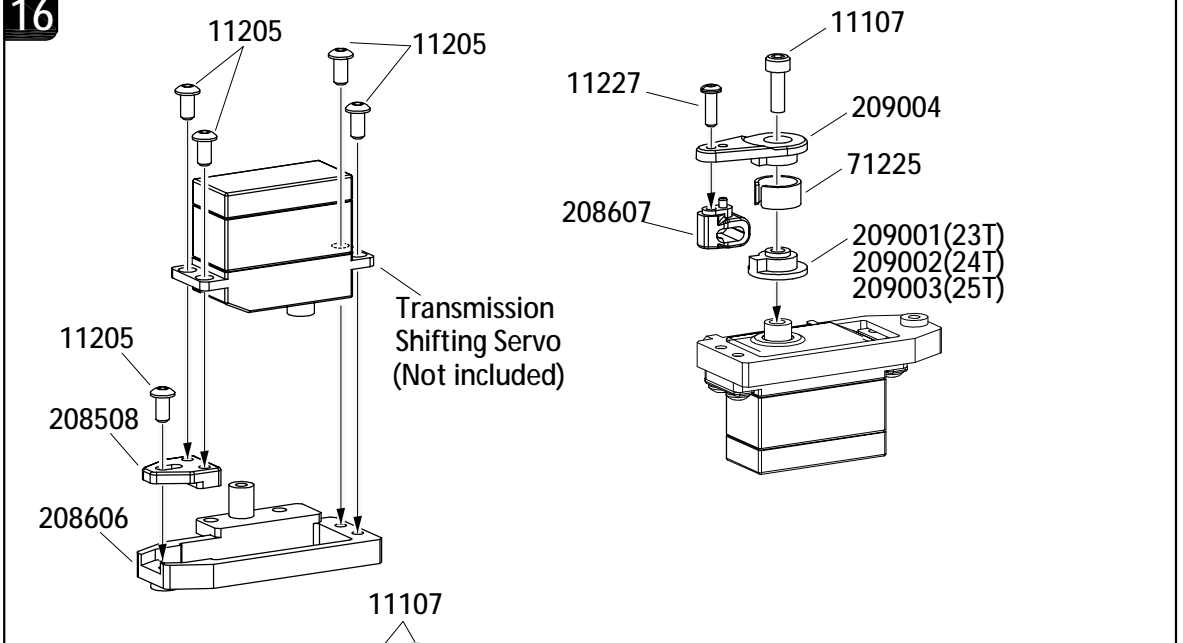
Ø5xØ10x4 X4
 15003

11205 
 M3x6 X5

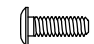
11227 
 M2.5x8 X1

11107 
 M3x10 X1

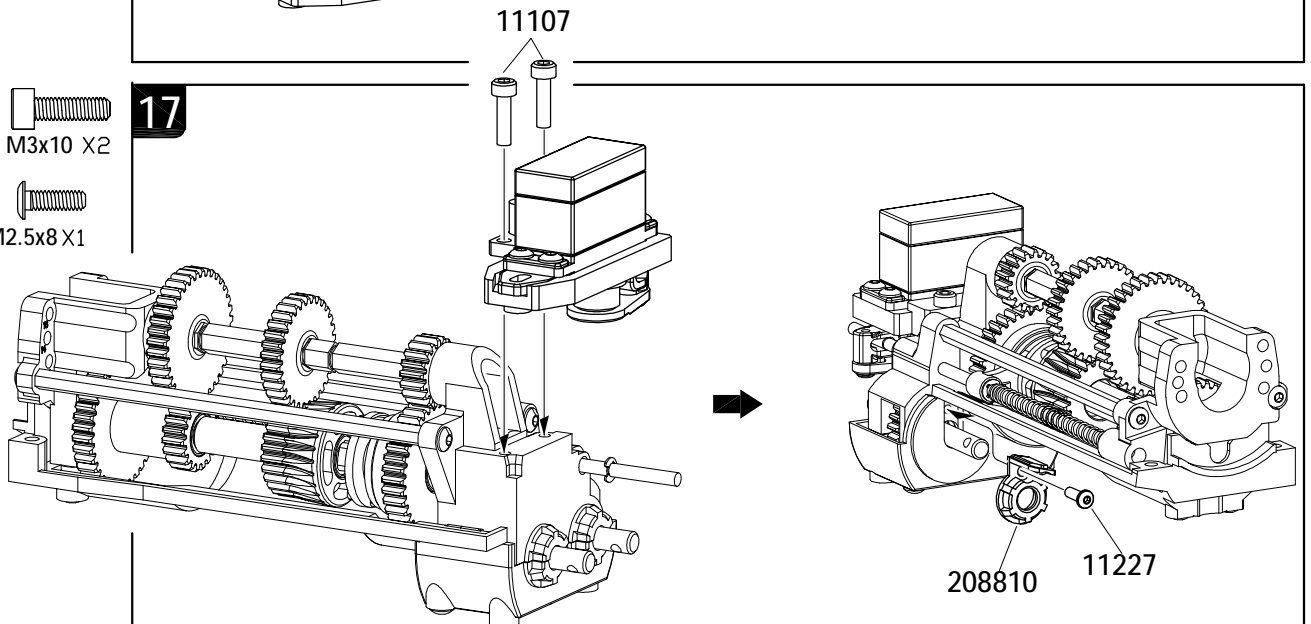
16



11107 
 M3x10 X2


11227 
 M2.5x8 X1

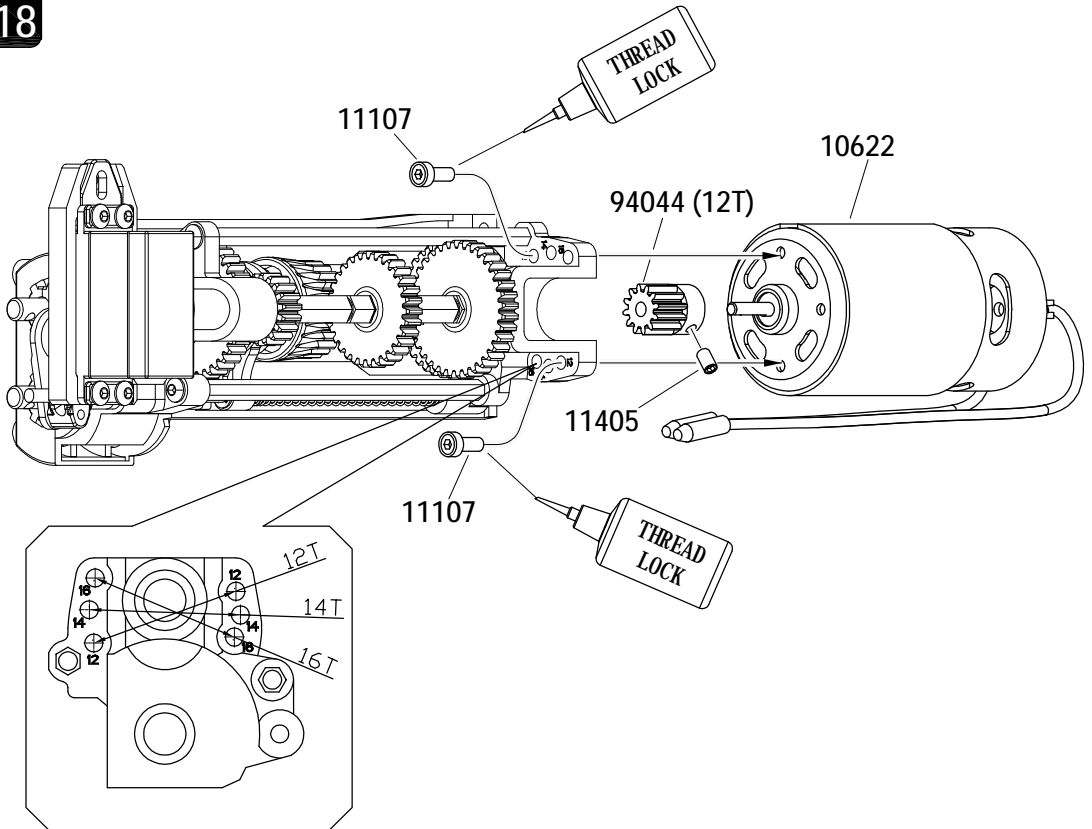
17



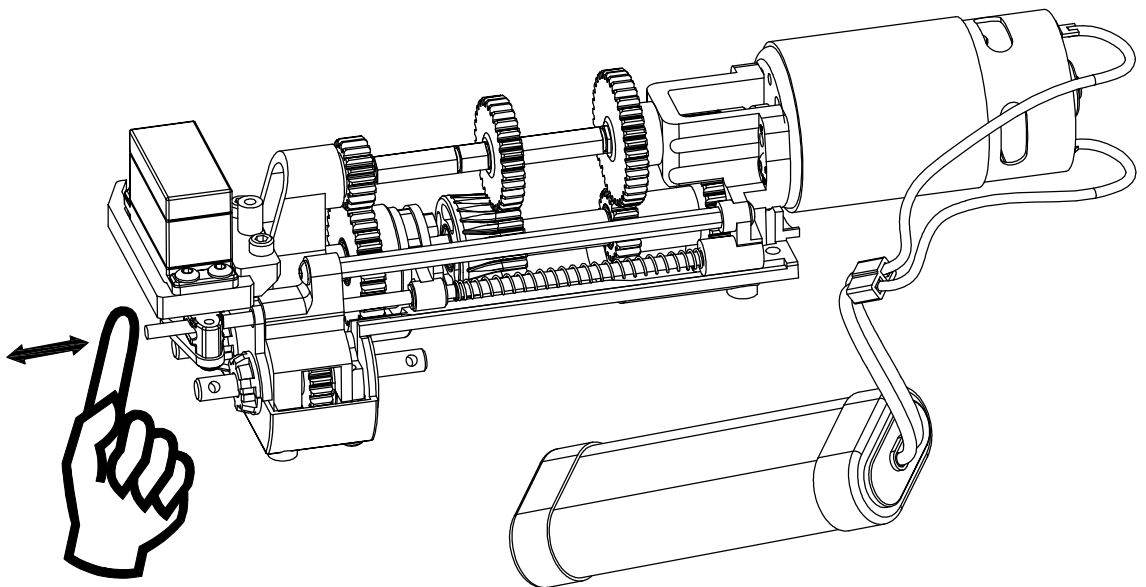
18

11107 
M3x10 X2

11405 
M4x4 X1



19




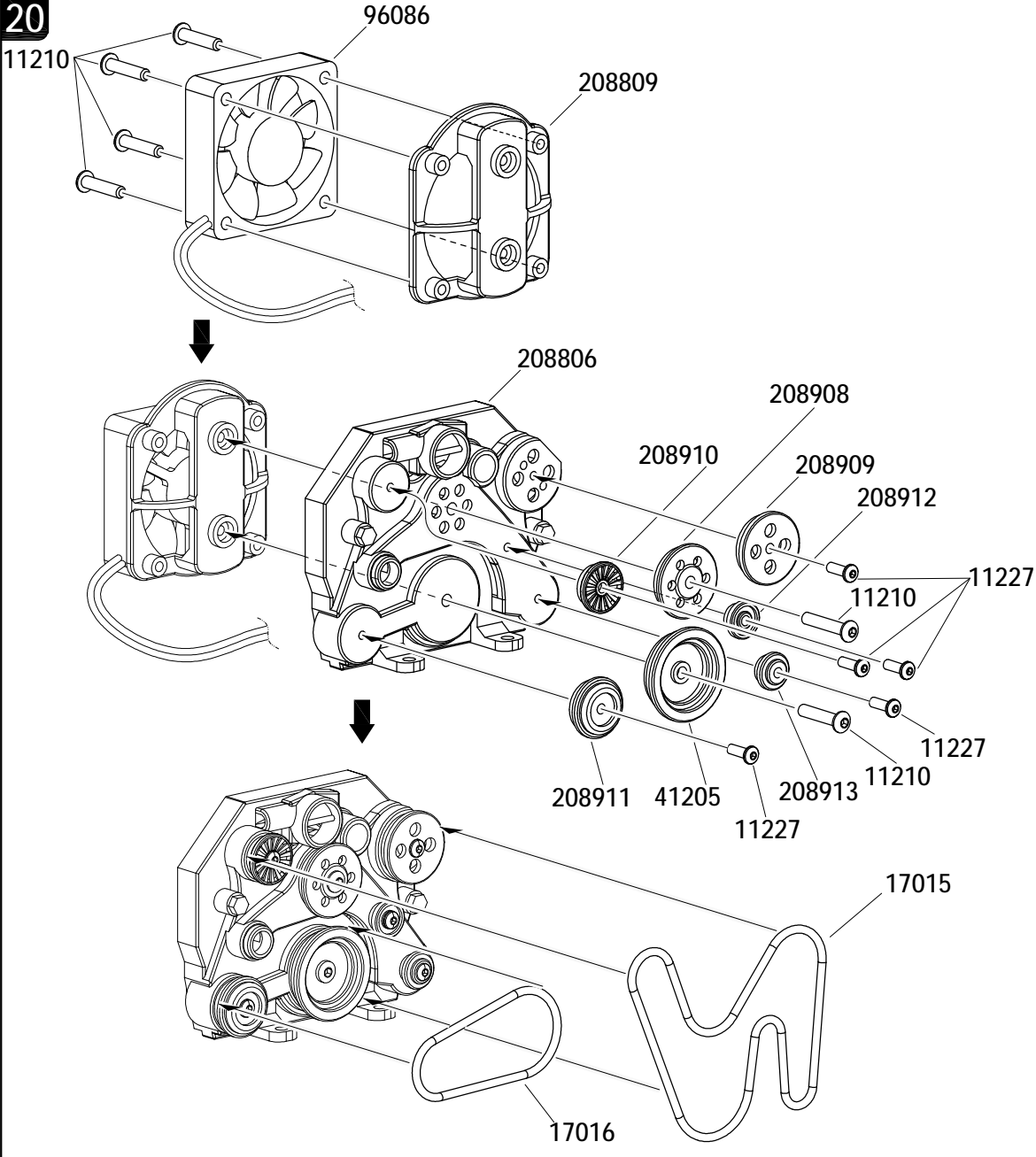
NOTE:

Get power test after assembly finish and adjust gear meshing clearance for make sure gear box running smooth without noise, then process to following assembly go on.


20

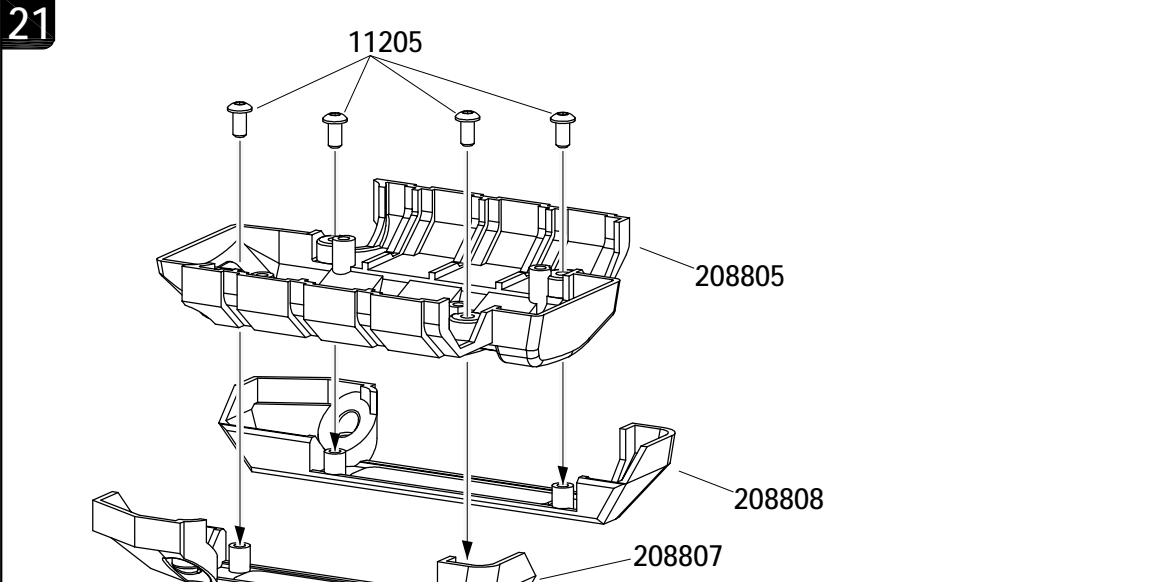
11210  M3x16 X6

11227  M2.5x8 X5




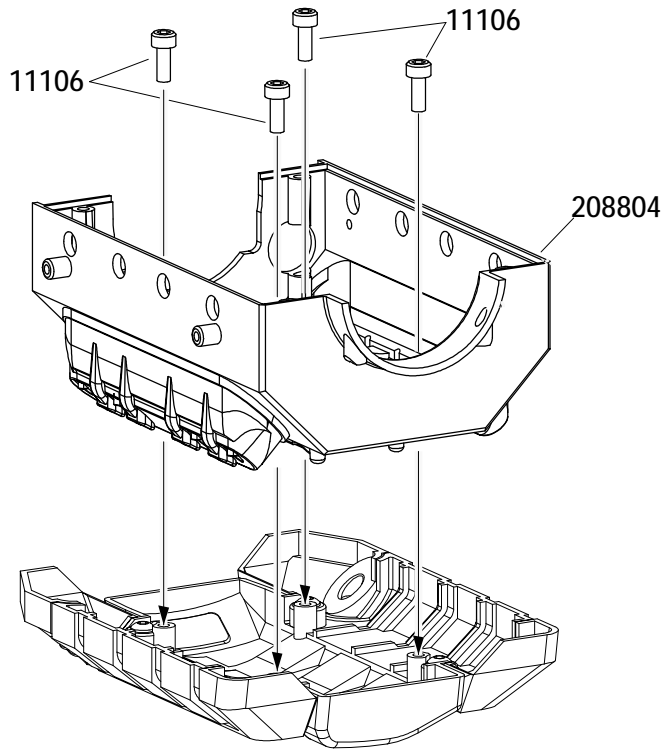
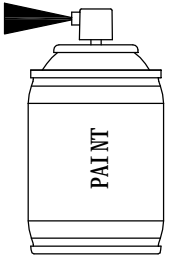
21

11205  M3x6 X4




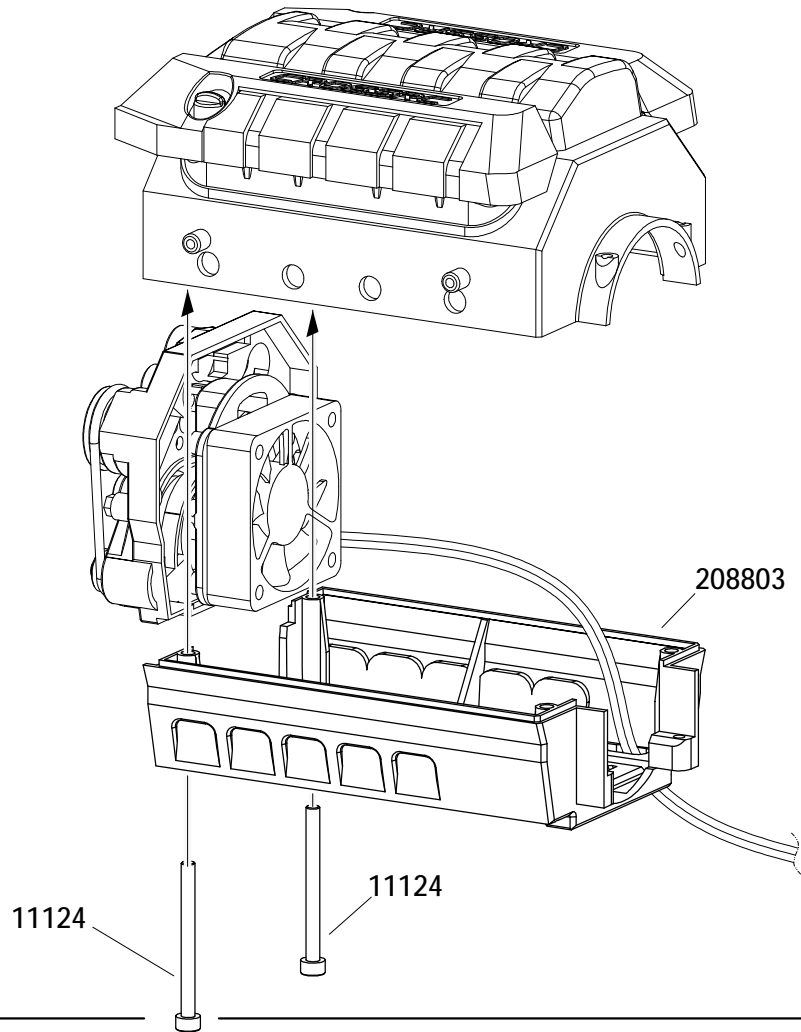
22

11106 
M3x8 X4




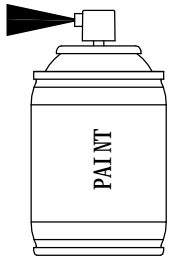
23

11124 
M3x32 X2

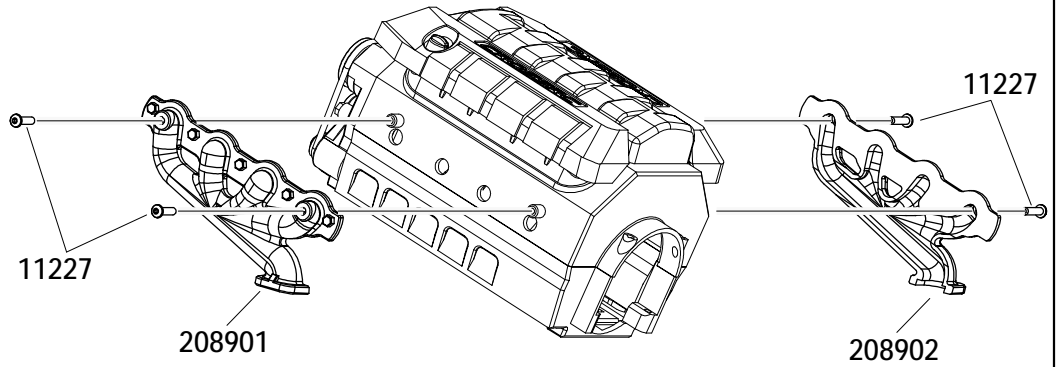


22

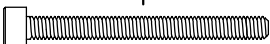
11227 
M2.5x8 X4




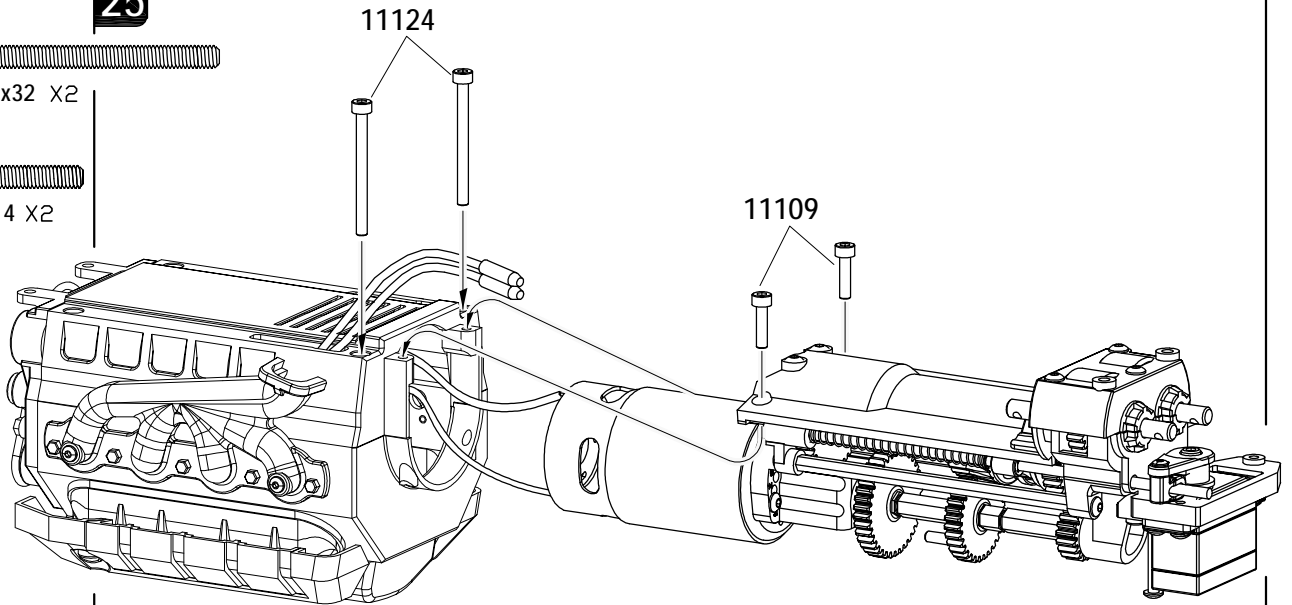
24




25

11124 
M3x32 X2

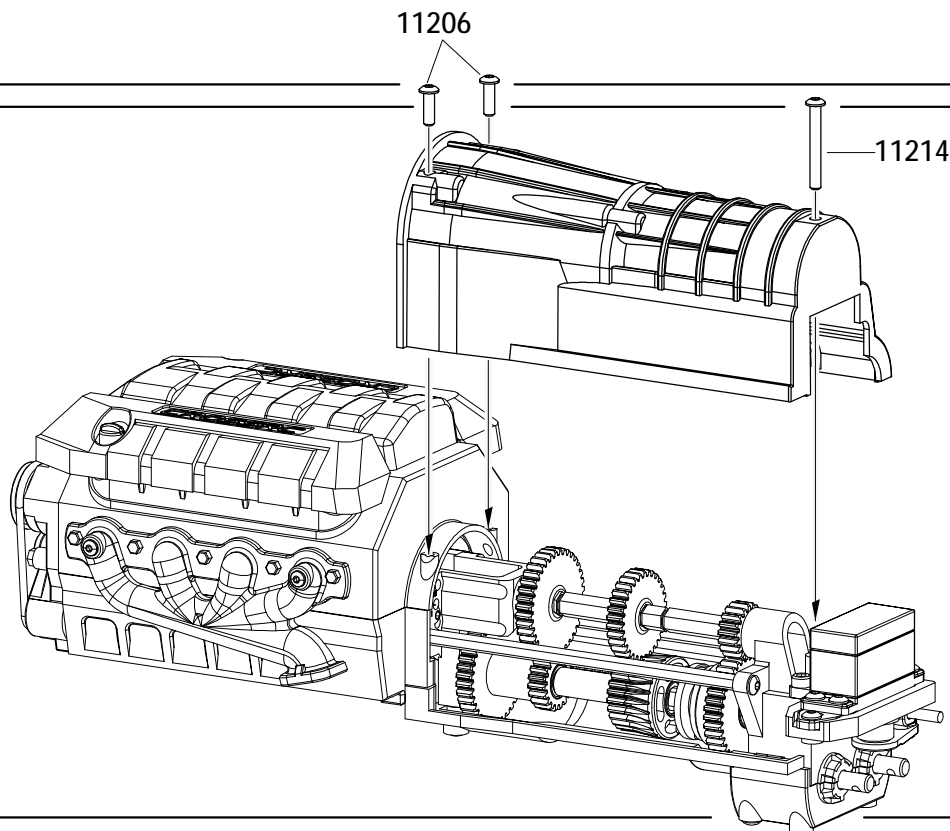
11109 
M3x14 X2




26

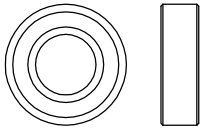
11214 
M3x25 X1

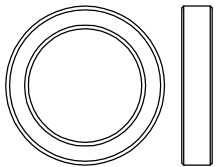
11206 
M3x8 X2




27 Rear Differential

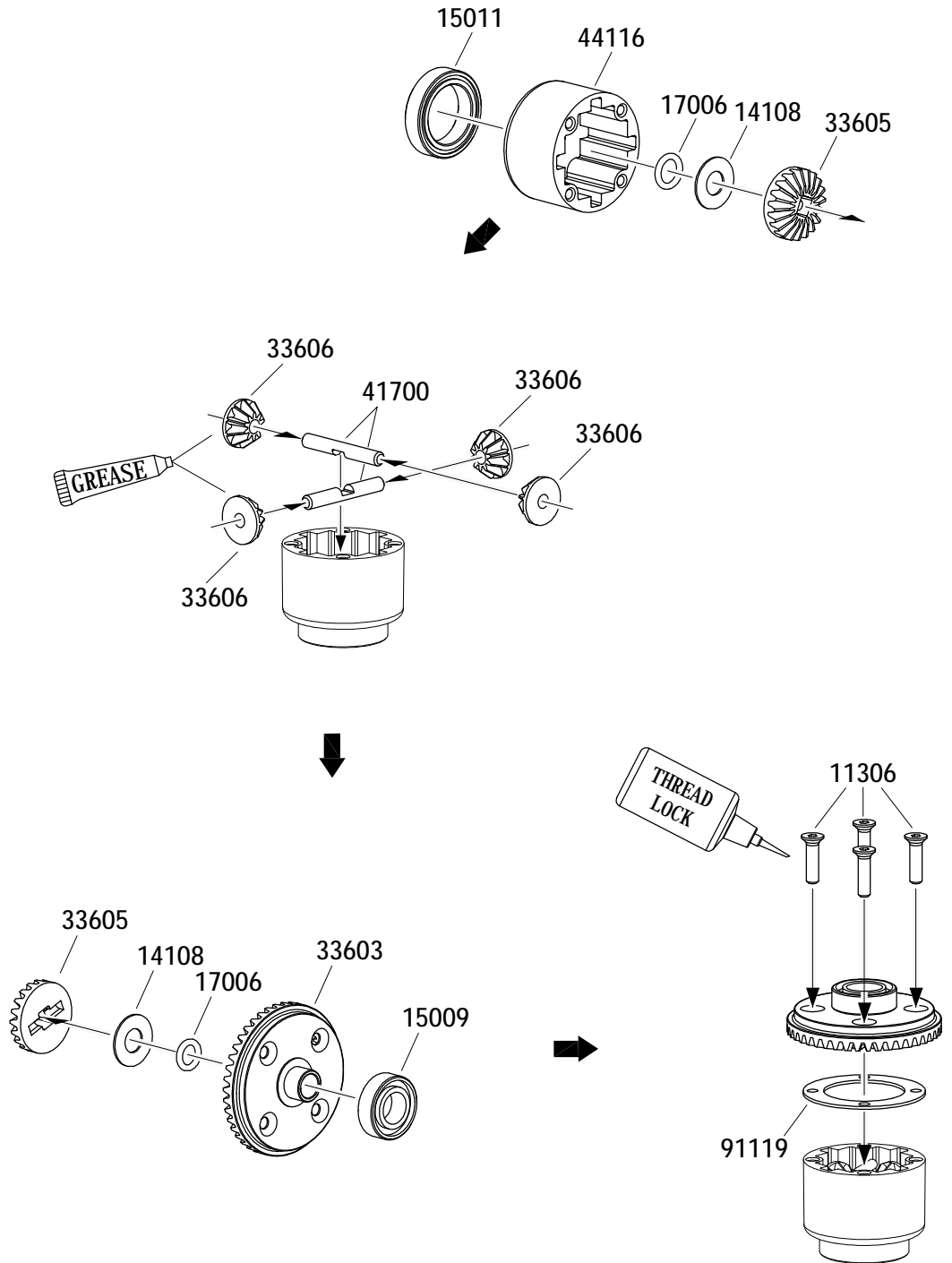
11306 
M3x10 X4


Ø8xØ16x5 X1
15009

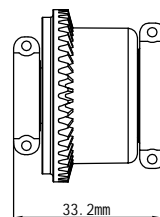
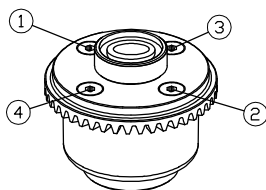

Ø15xØ21x4 X1
15011


GREASE
91007 X1



THREAD
LOCK




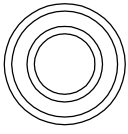

Repeat tightening in this order

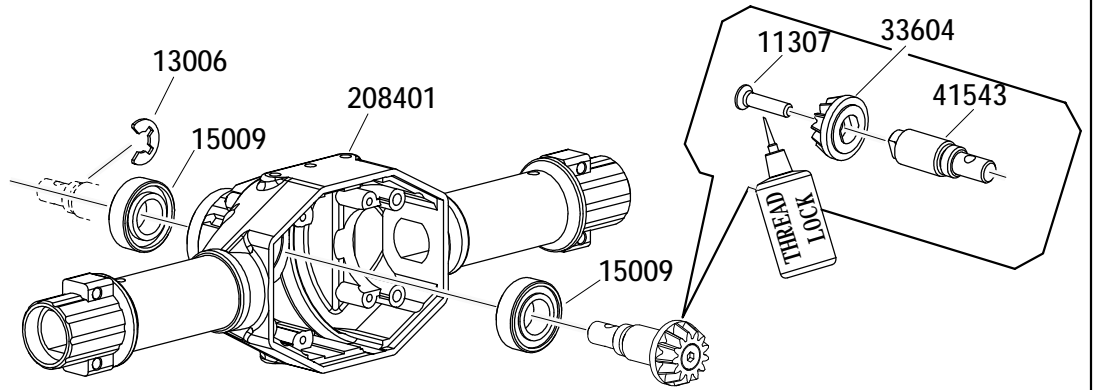


28

11307  M3x14 X1


13006  $\varnothing 5 \times \varnothing 9.8 \times 0.5$ X1

 $\varnothing 8 \times \varnothing 16 \times 5$ X2
15009 




29

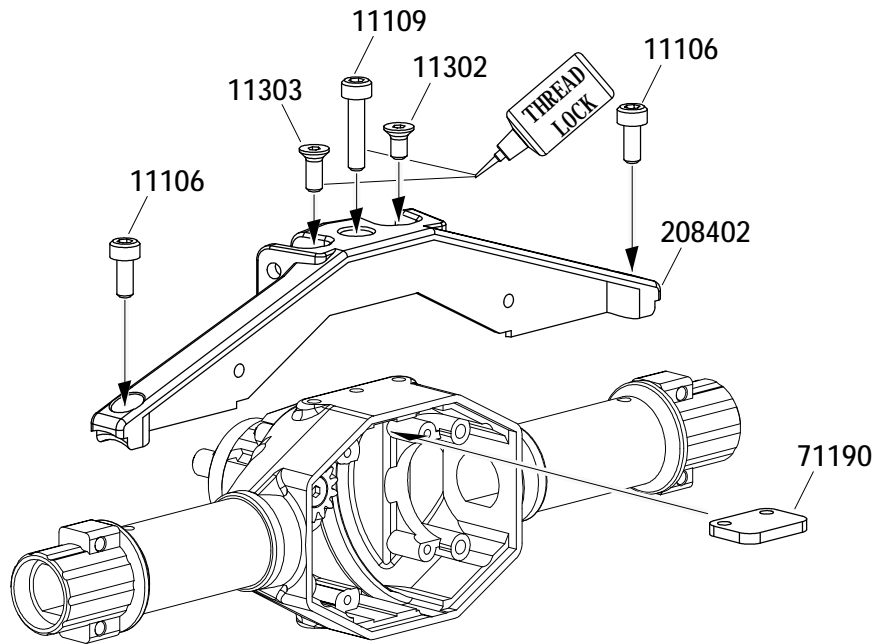


11106  M3x8 X2

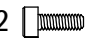
11302  M3x6 X1

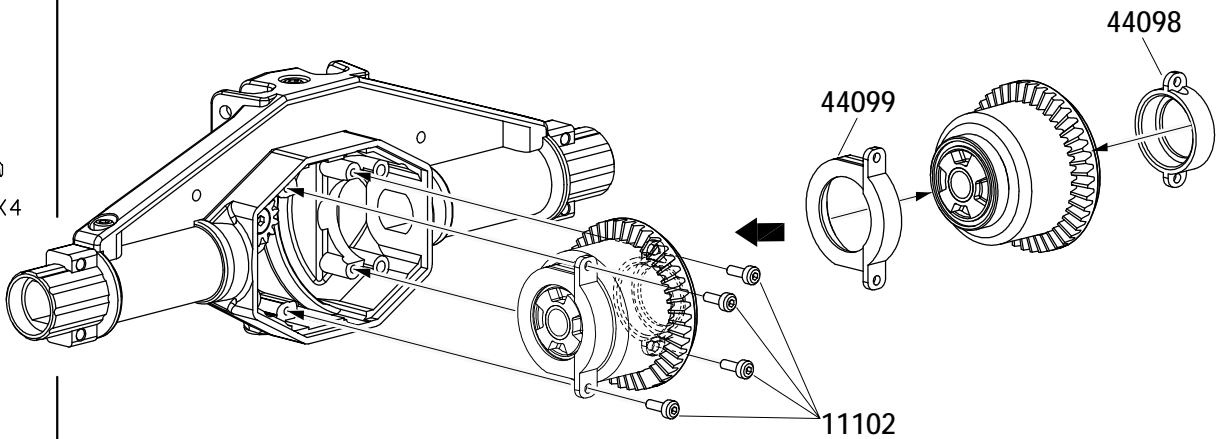
11303  M3x8 X1

11109  M3x14 X1

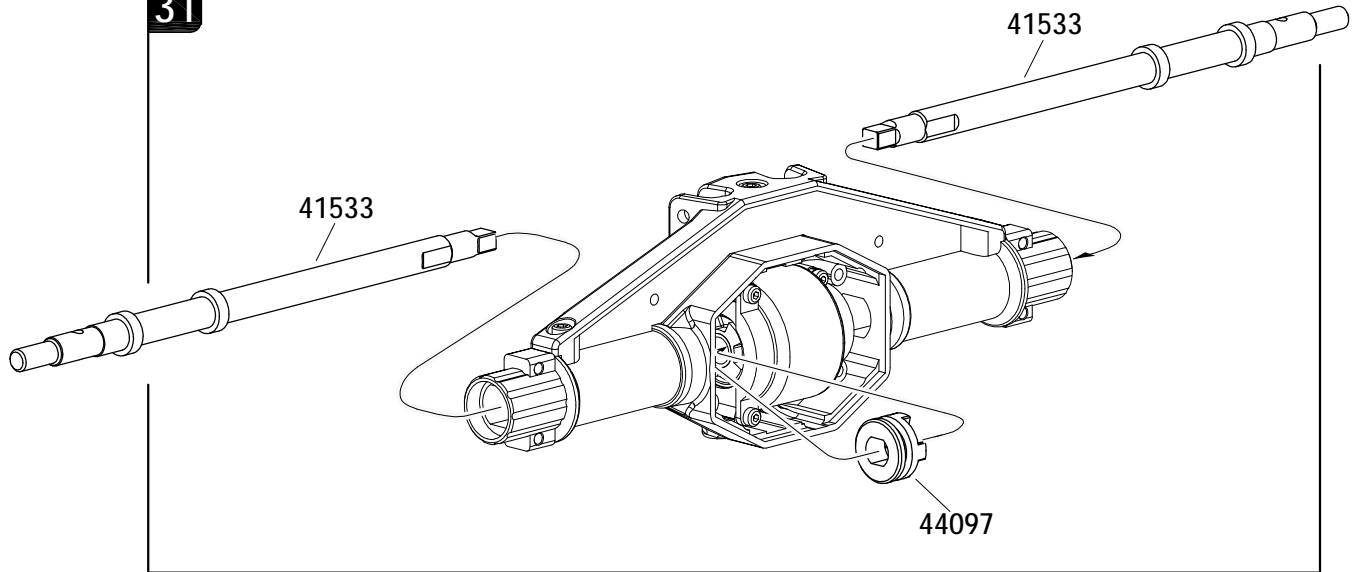


30

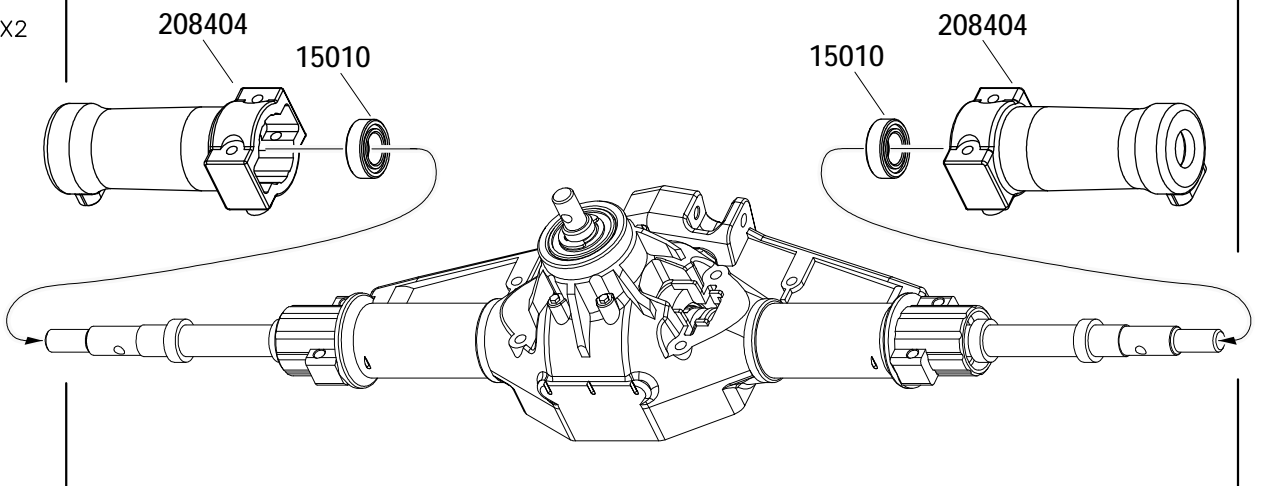
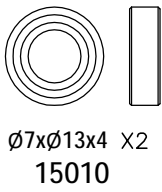
11102  M2x6 X4



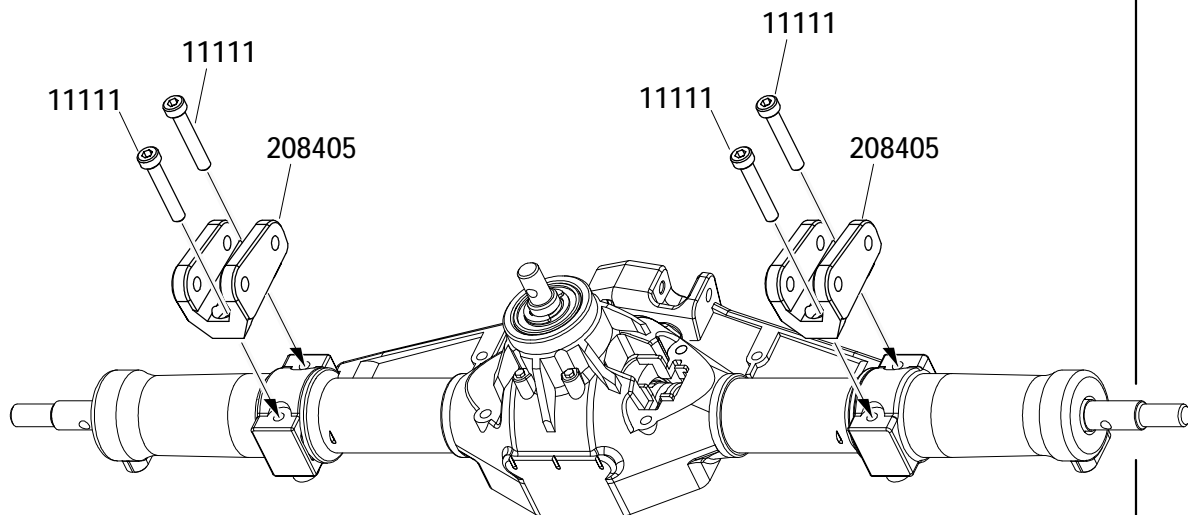
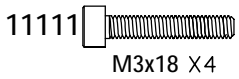
31




32

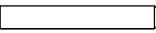


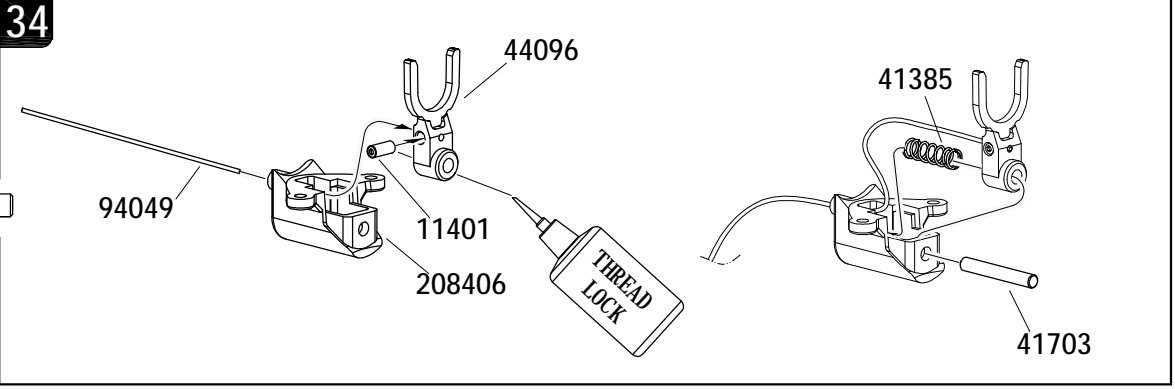
33




34

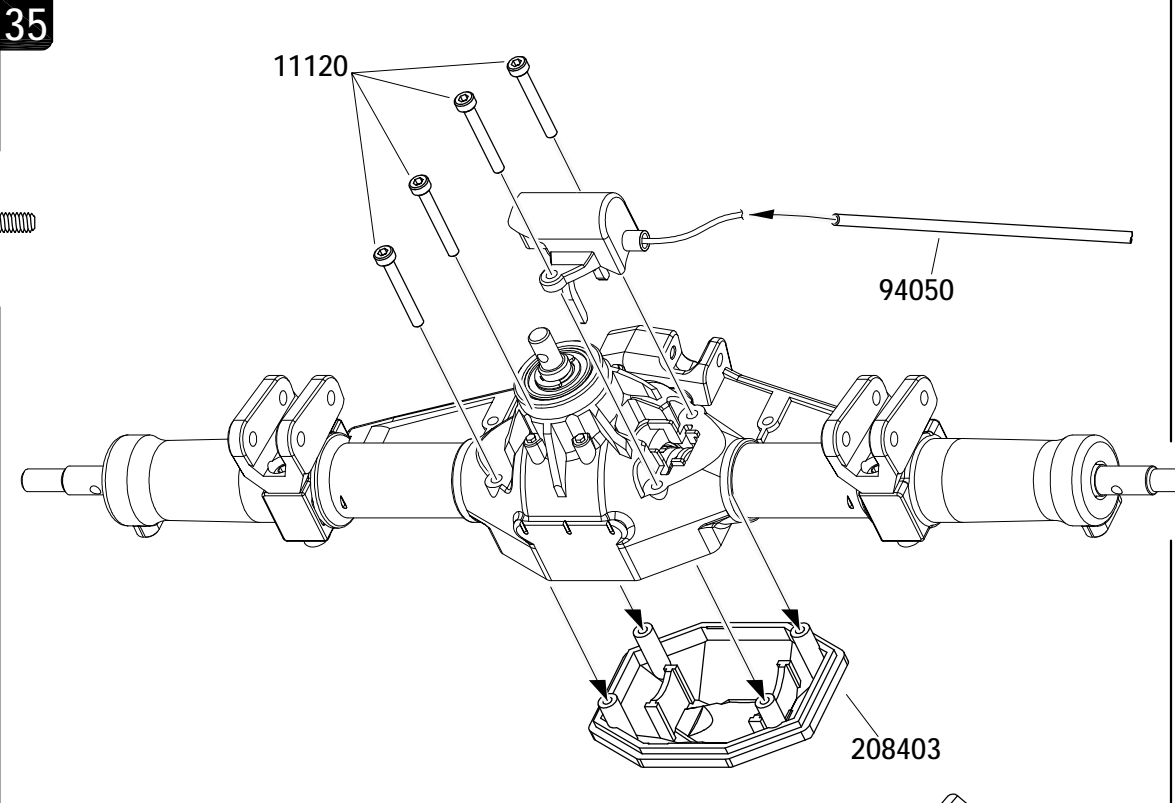
11401 
M3x4 X1

41703 
M3x21 X1




35

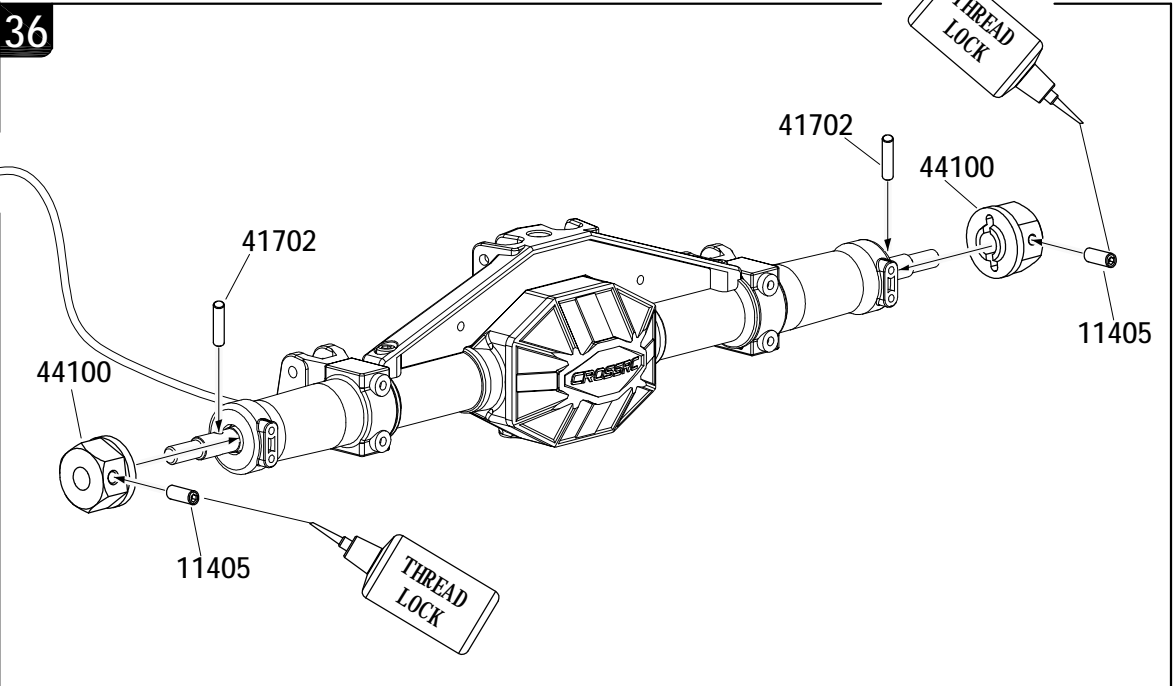
11120 
M2.5x20 X4

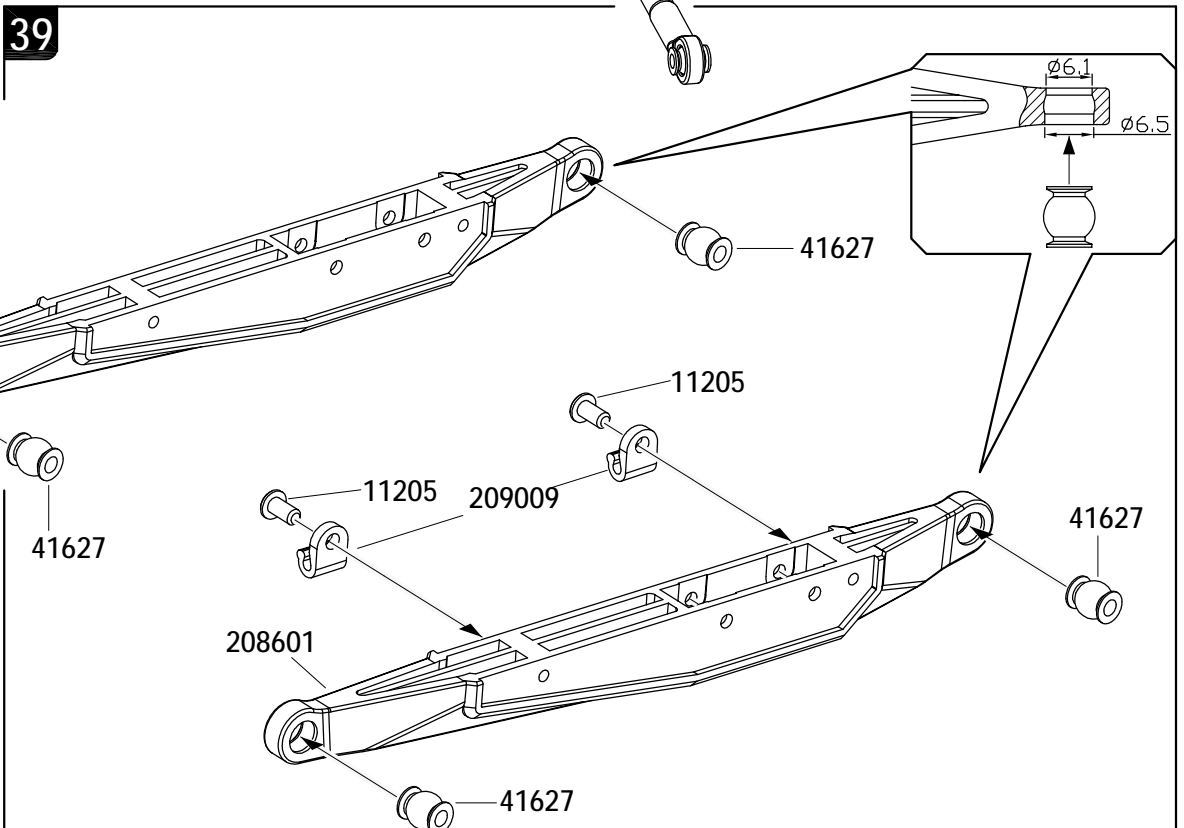
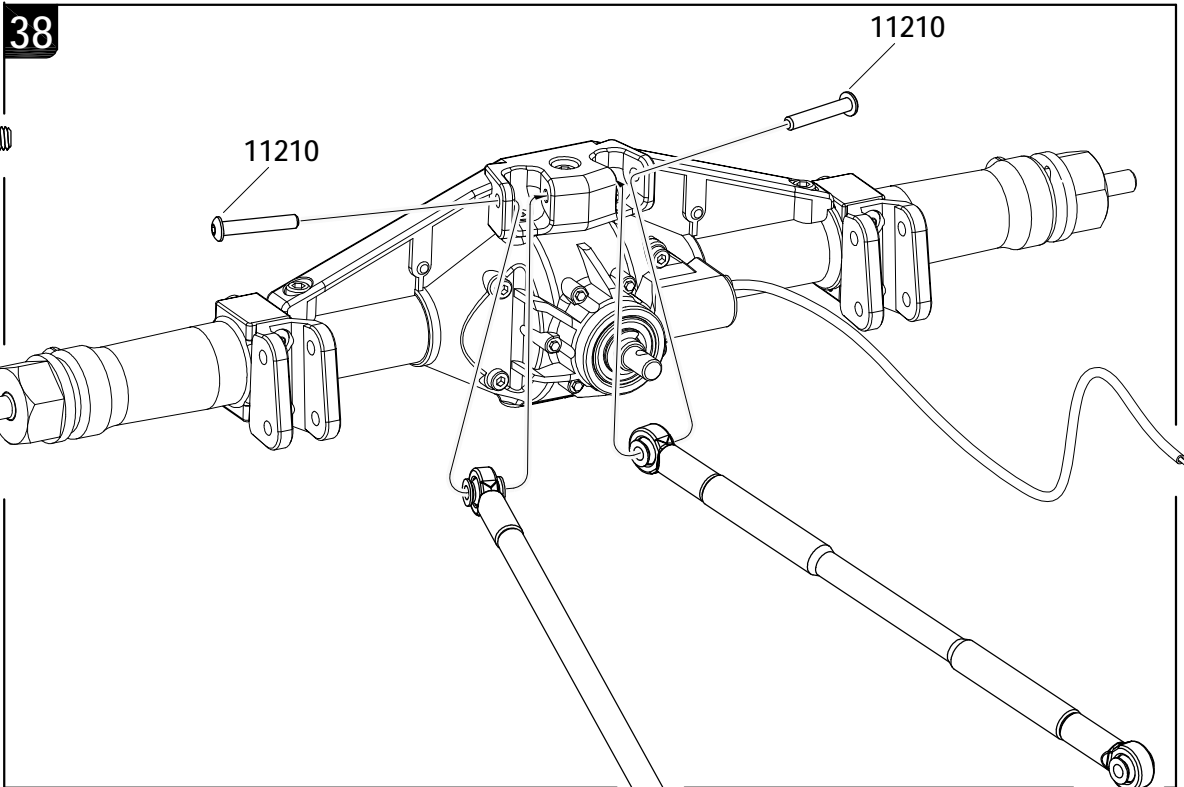
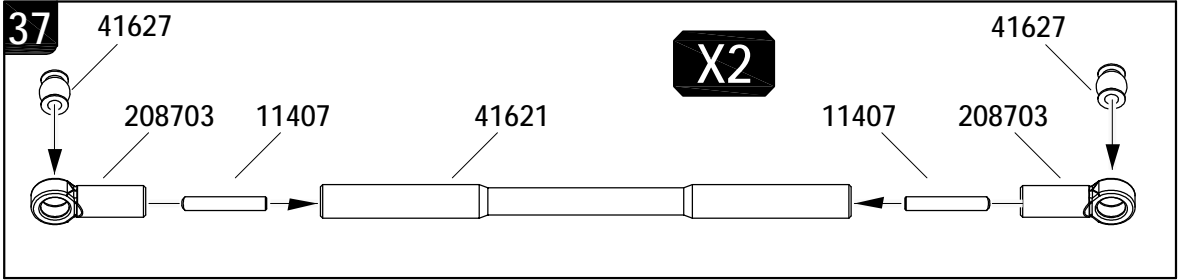


36


41702 
M2.5x12.8 X2


11405 
M4x4 X2

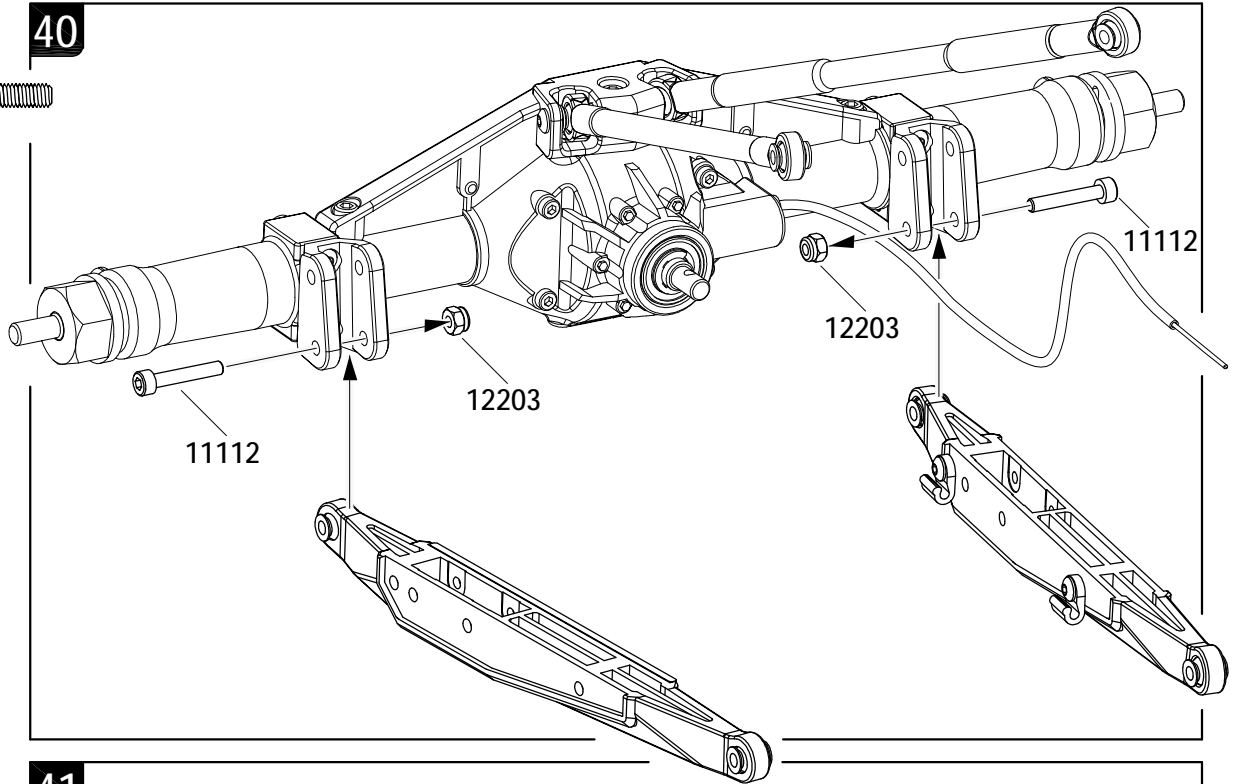





40

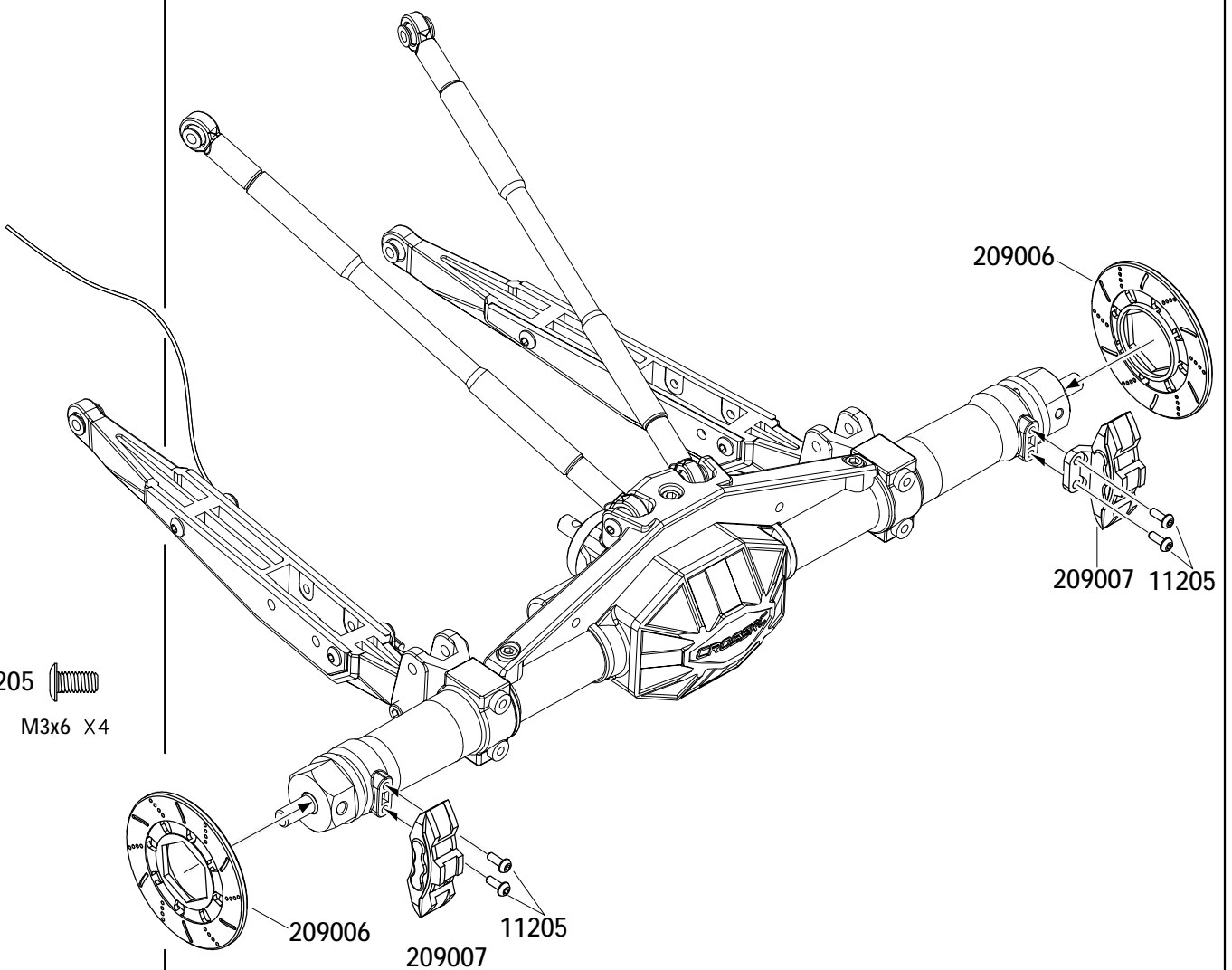
11112 
M3x20 X2

12203 
M3 X2





41


11205 
M3x6 X4





42


13003 
 Ø2.5xØ6x0.4 X8

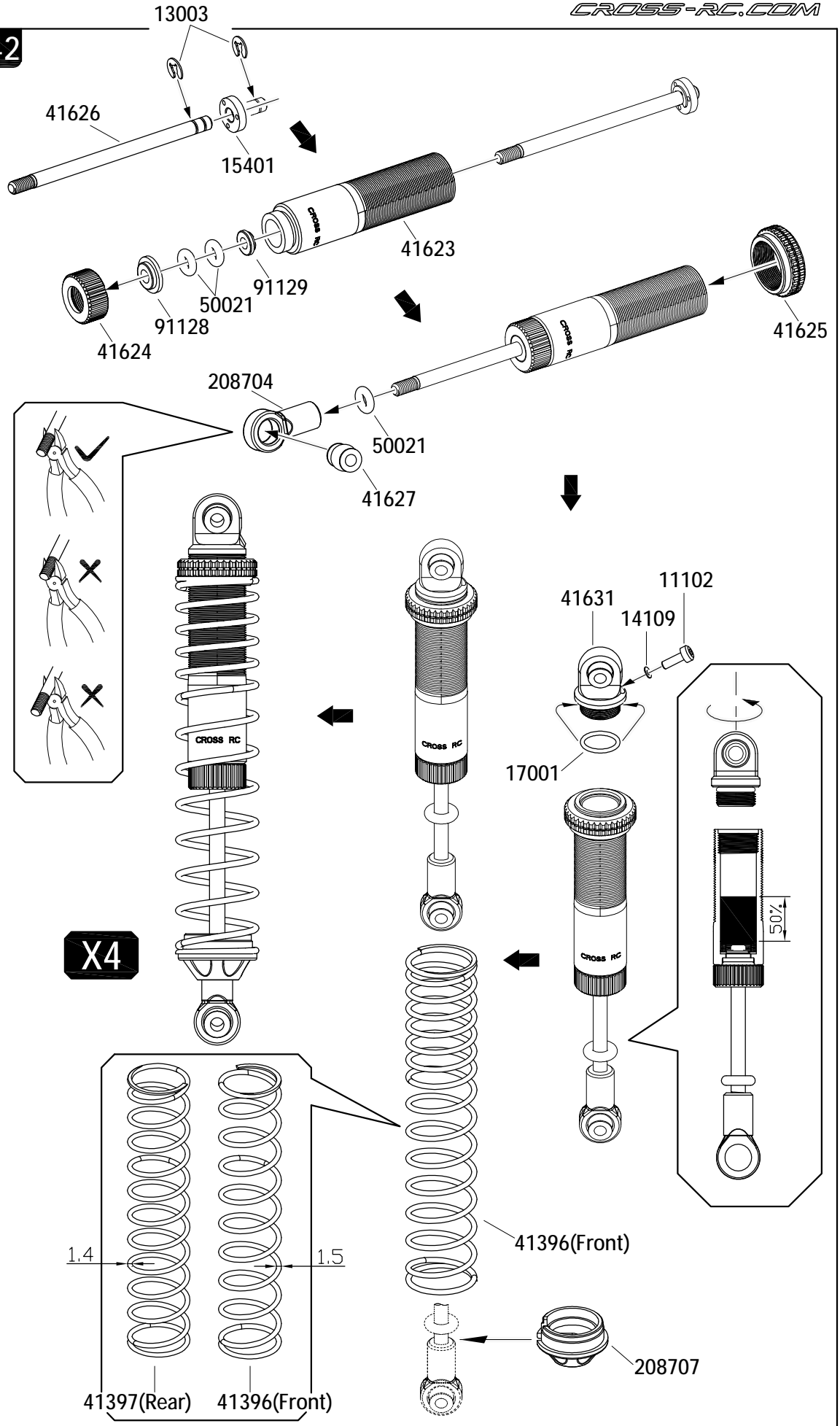
50021 
 Ø7.5xØ3.5xØ2 X12

17001 
 Ø8xØ6xØ1 X4

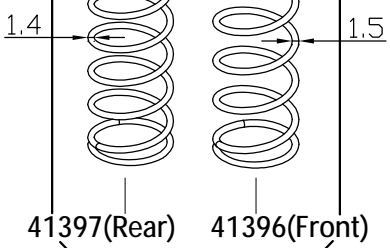
11102 
 M2x6 X4

14109 
 Ø2xØ4x0.5 X4



41627 
 Ø6.8x8 X4

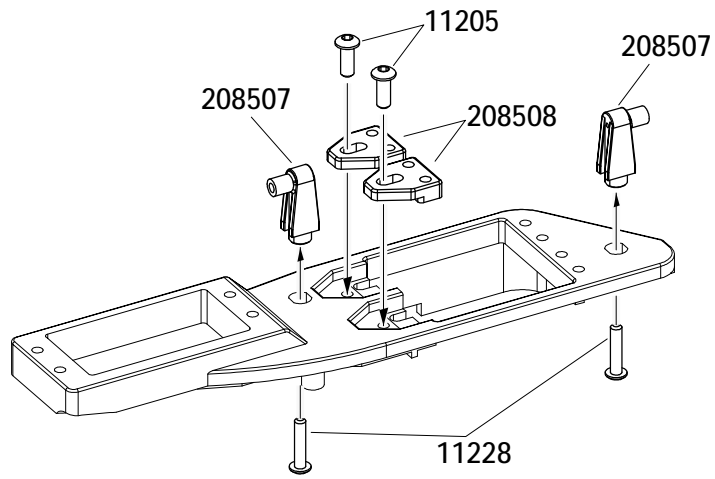


X4


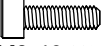



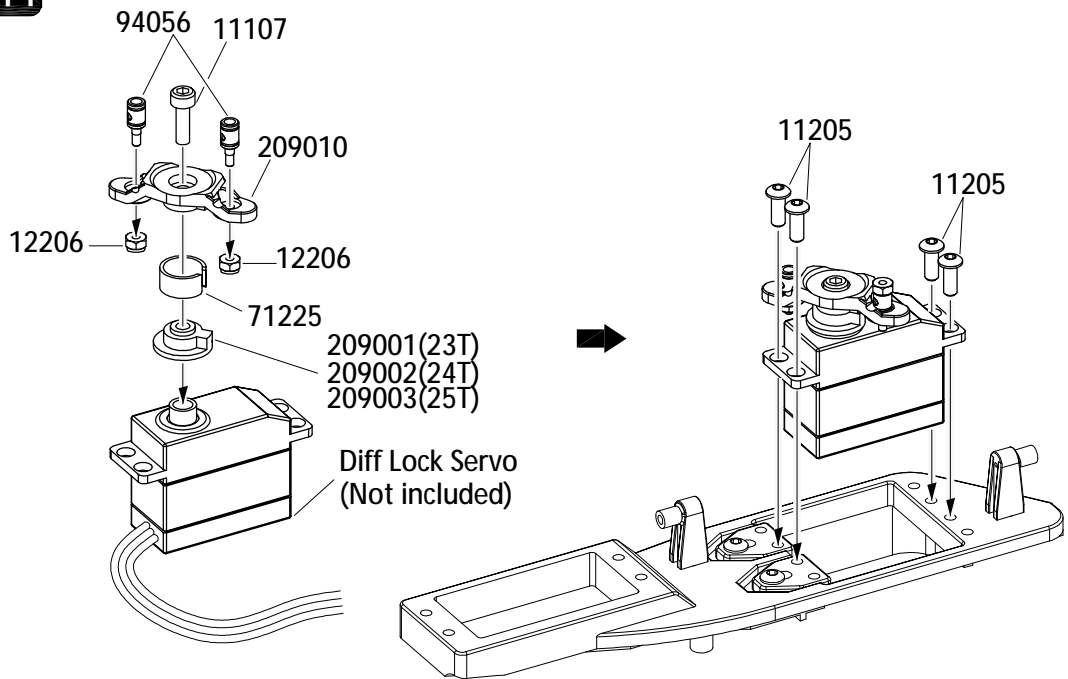
43

- 11205  M3x6 X2
- 11228  M2.5x12 X2



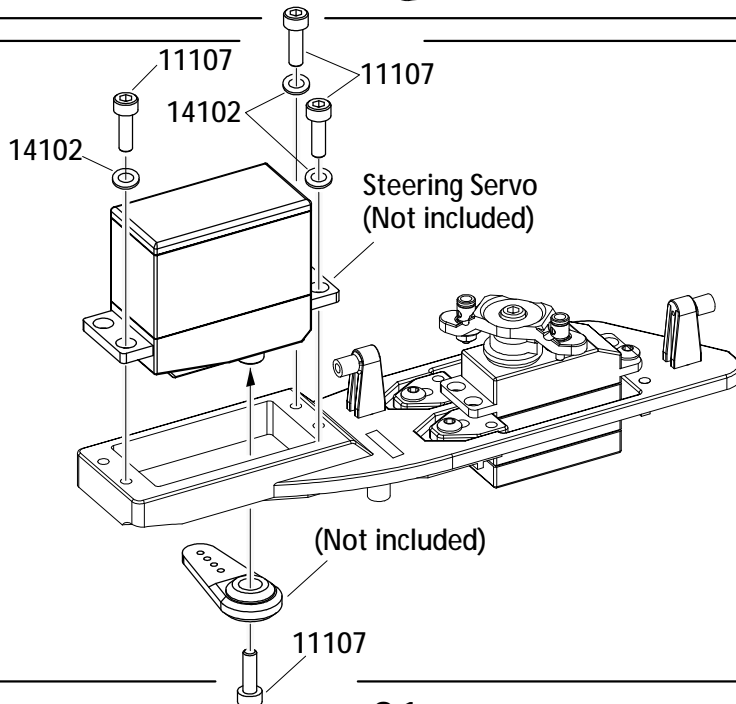
44

- 11205  M3x6 X4
- 11107  M3x10 X1
- 12206  M2 X2





45

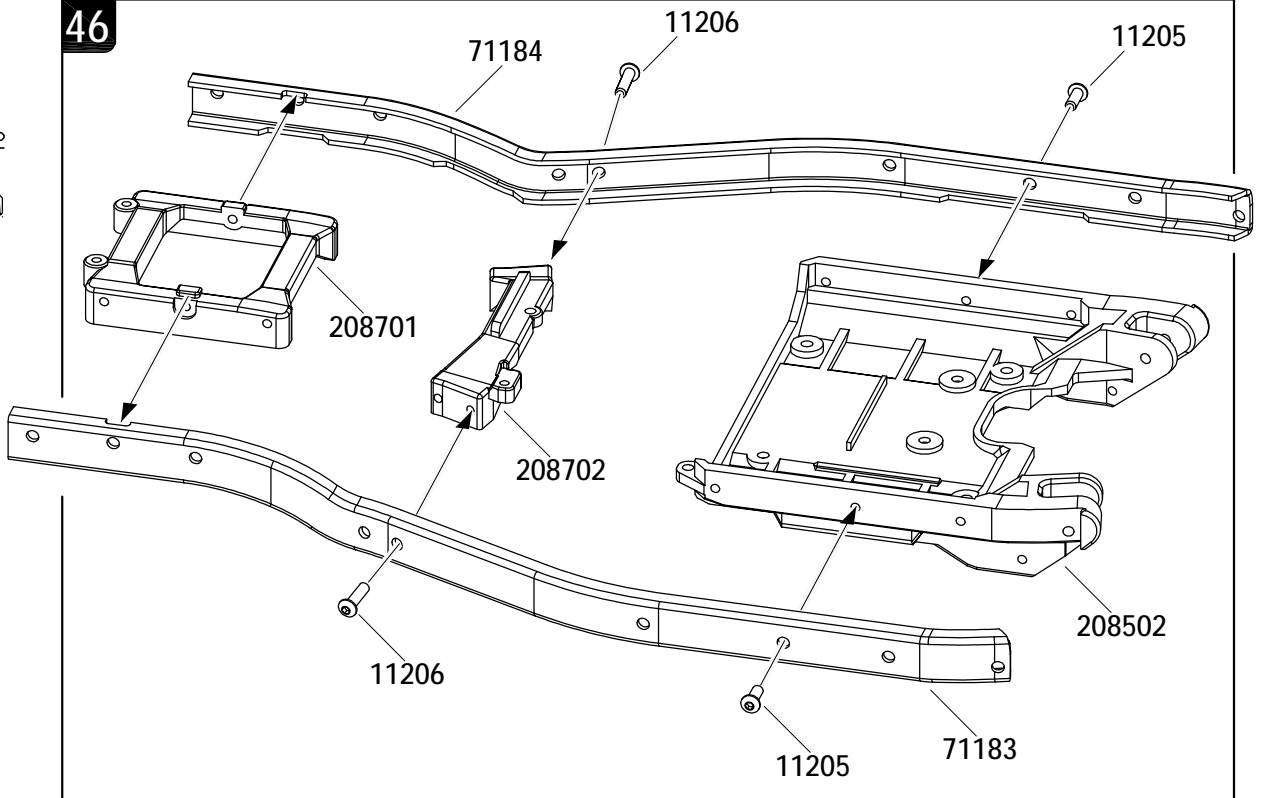
- 11107  M3x10 X4




46

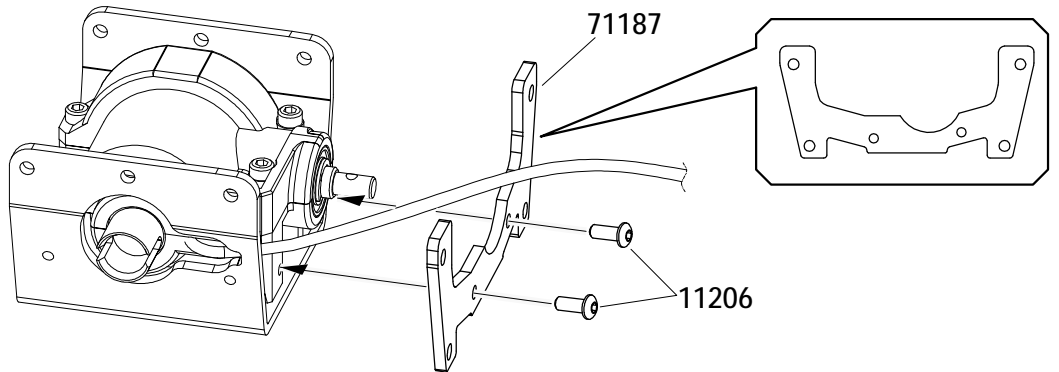
11205 
M3x6 X2

11206 
M3x8 X2




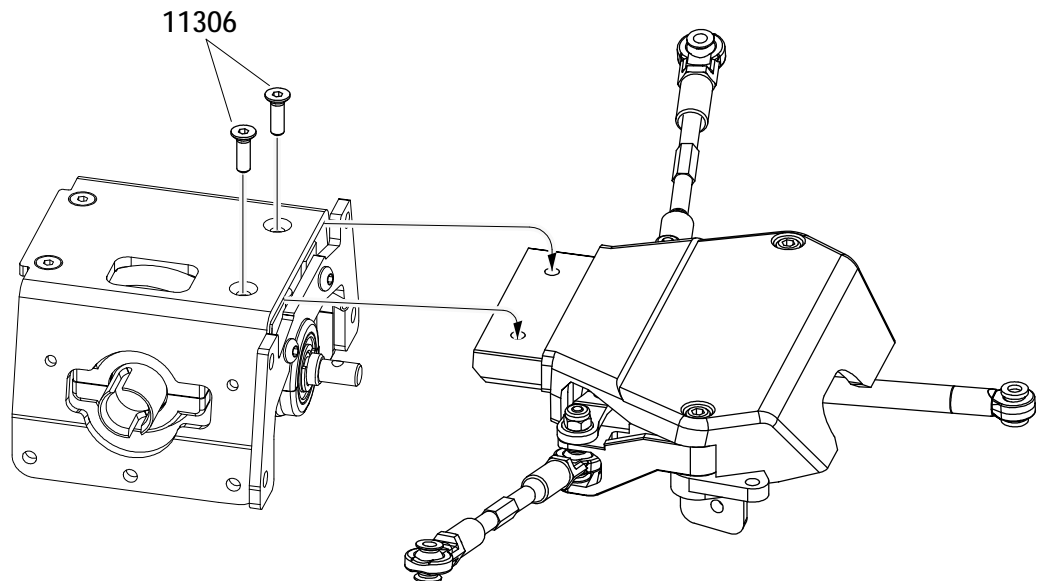
47

11206 
M3x8 X2



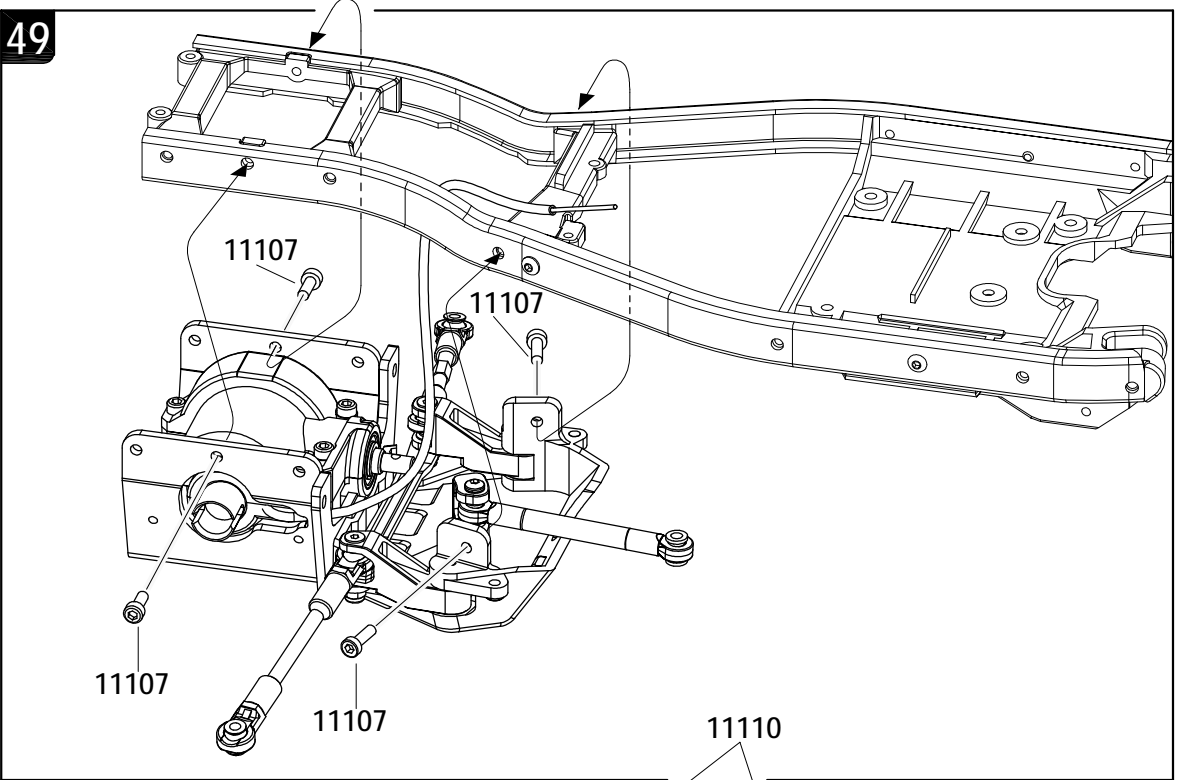
48

11306 
M3x10 X2




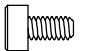
49

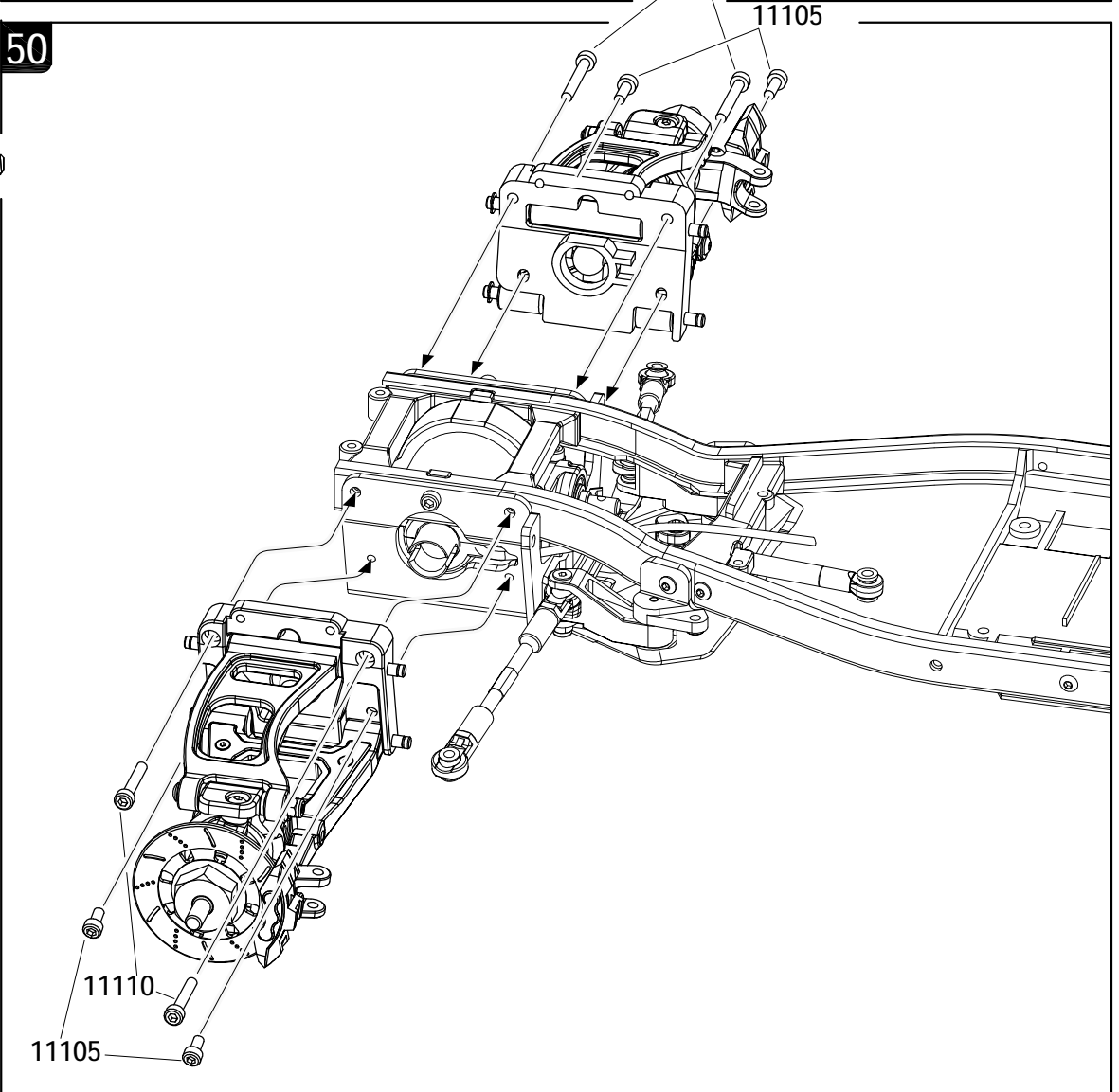
11107 
M3x10 X4

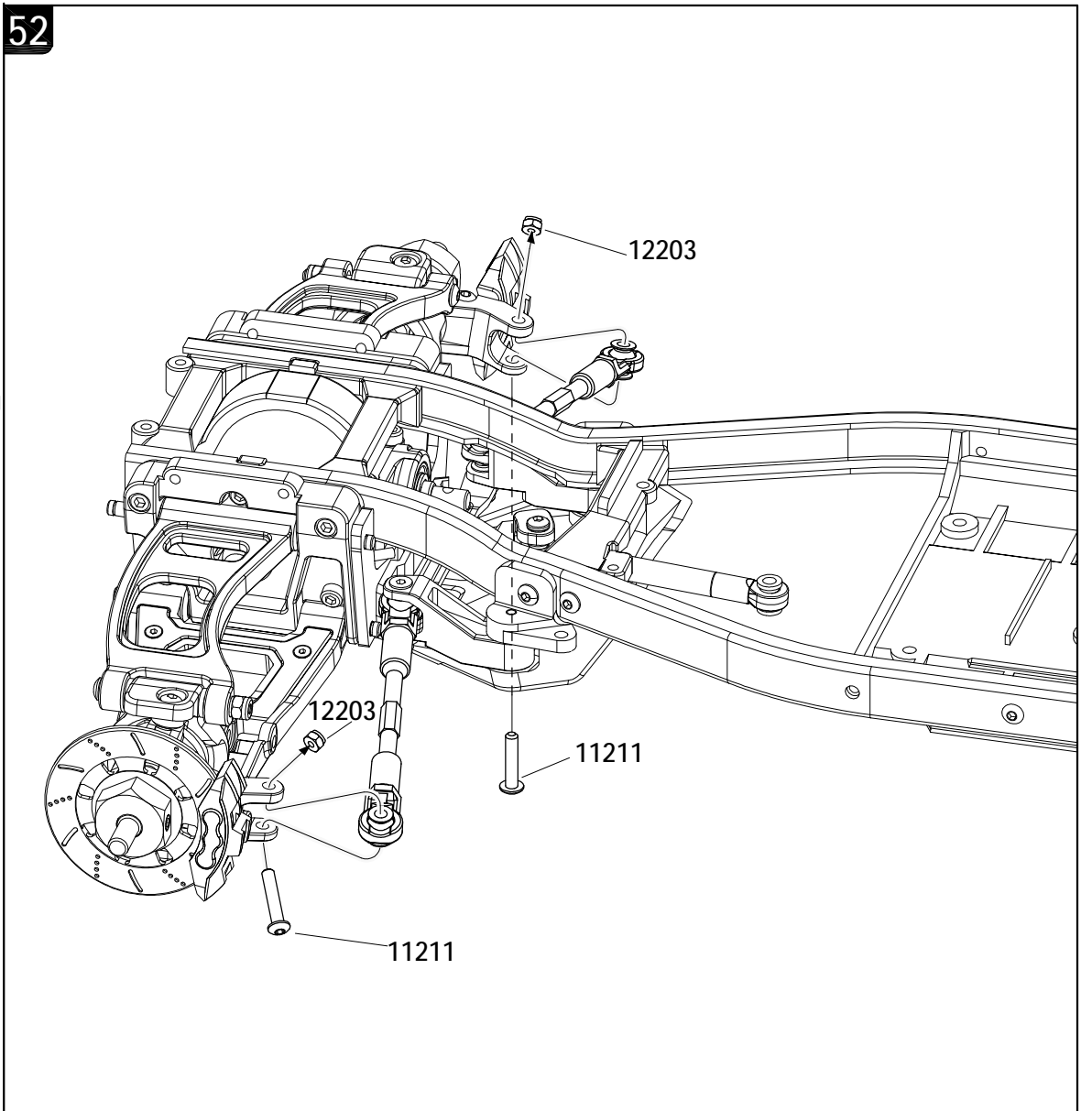
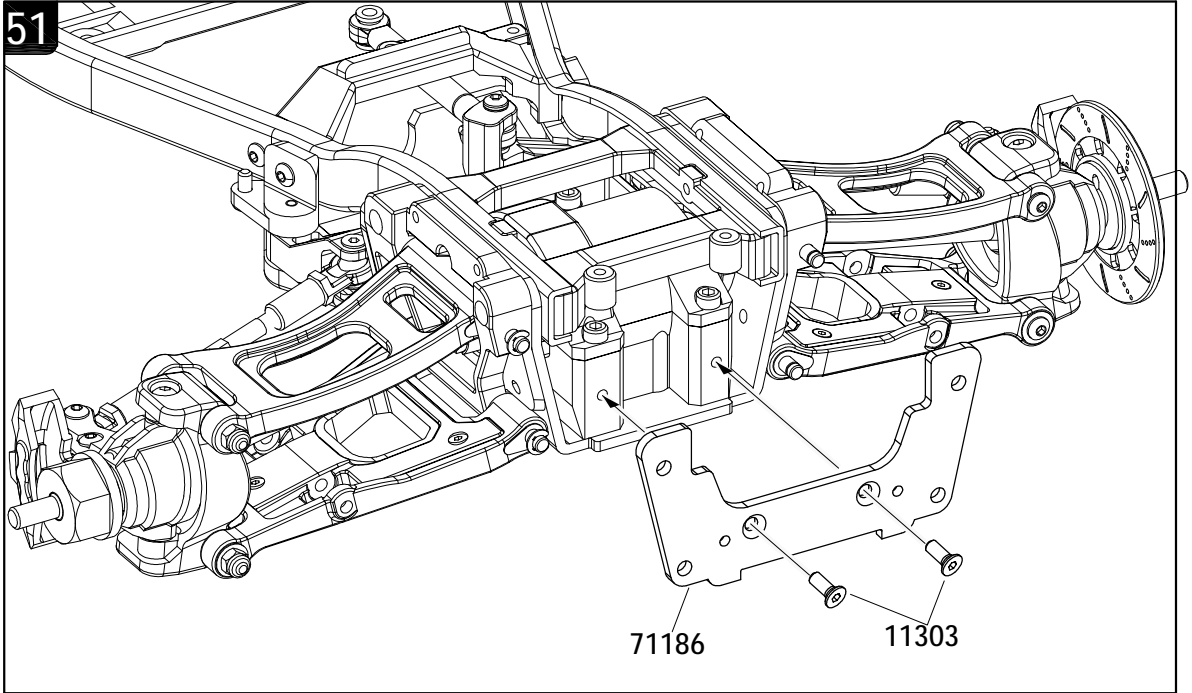


50


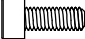



11110 
M3x16 X4

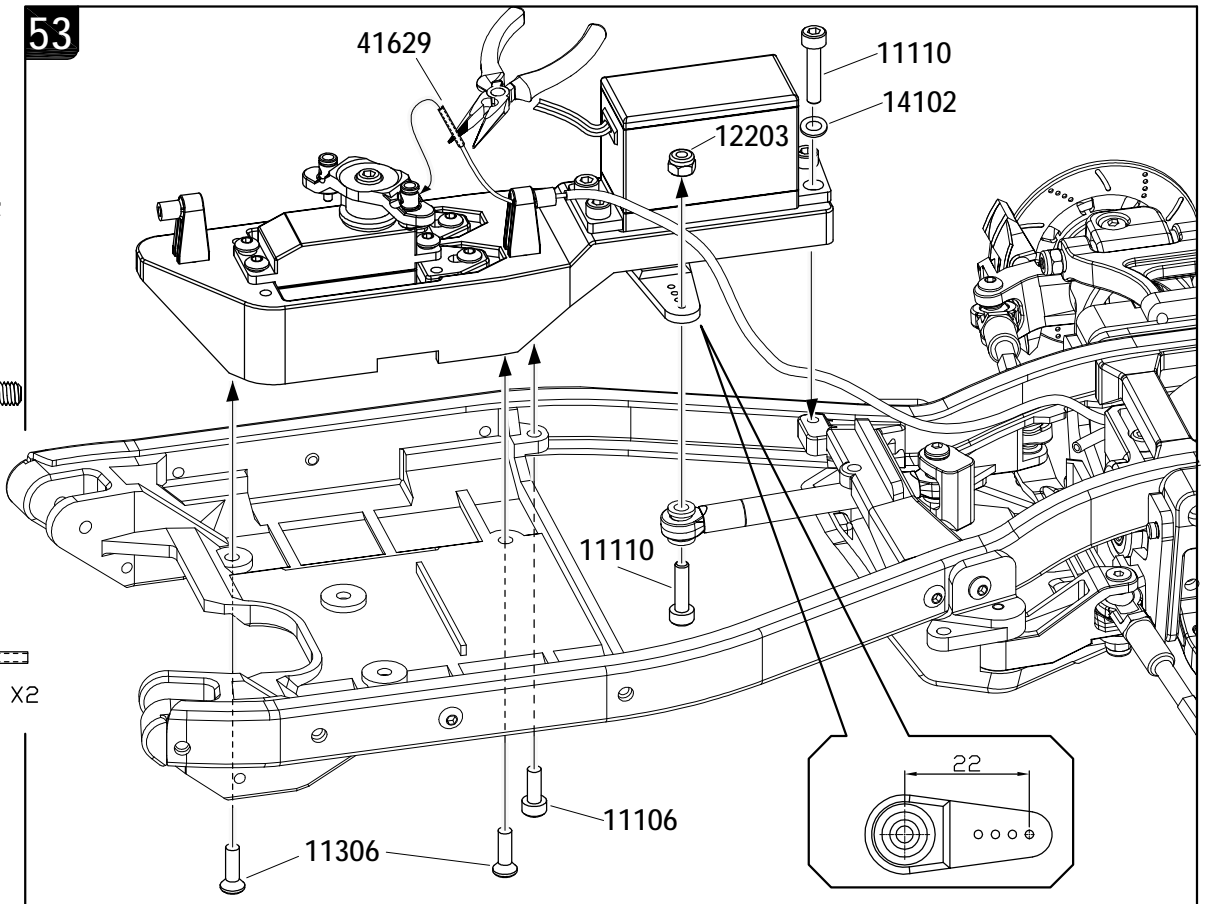
11105 
M3x6 X4






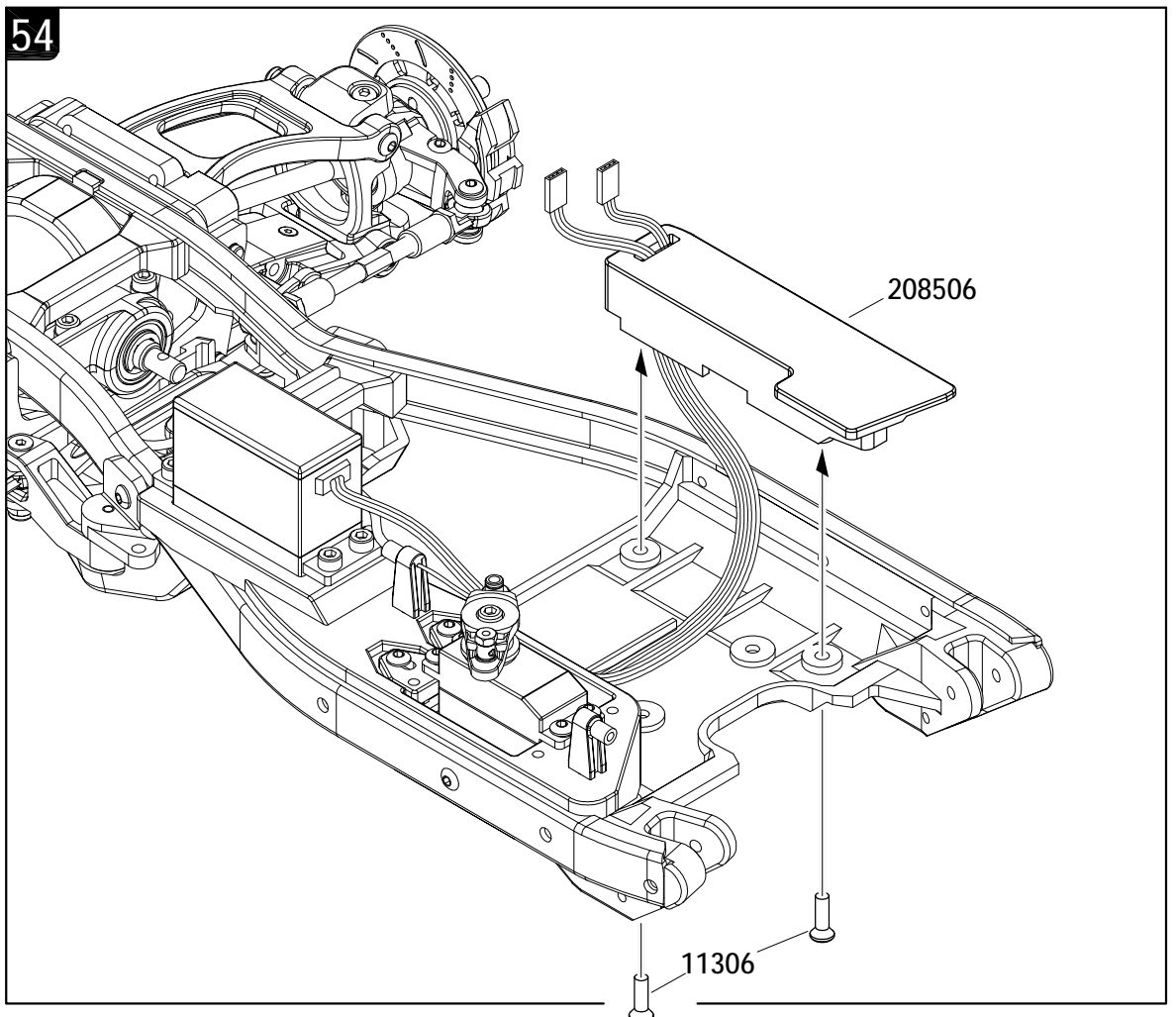
53

- 11306  M3x10 X2
- 11106  M3x8 X1
- 11110  M3x16 X2
- 12203  M3 X1
- 41629  Ø1.5xØ1x20 X2



54

- 11306  M3x10 X2

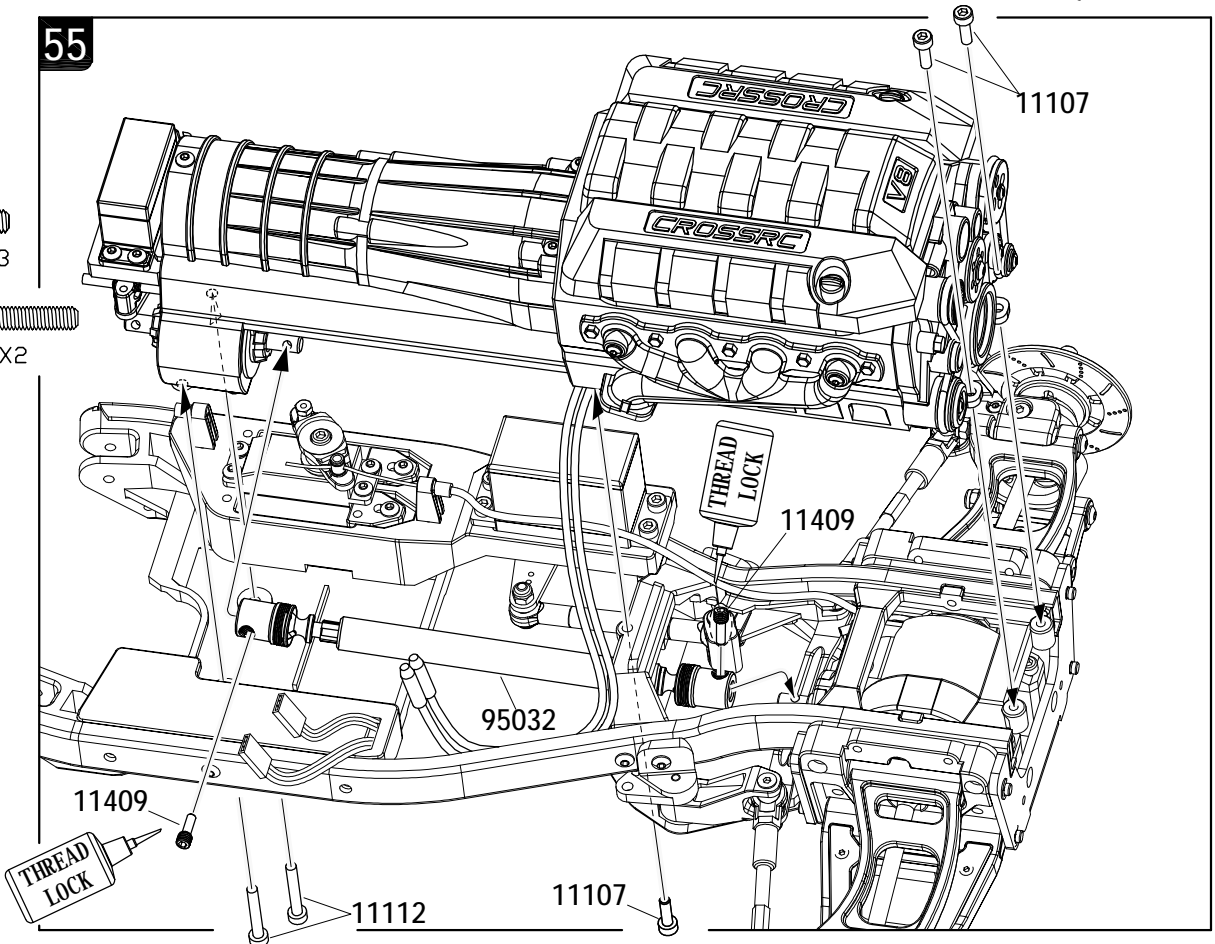


55

11107 M3x10 X3

11112 M3x20 X2

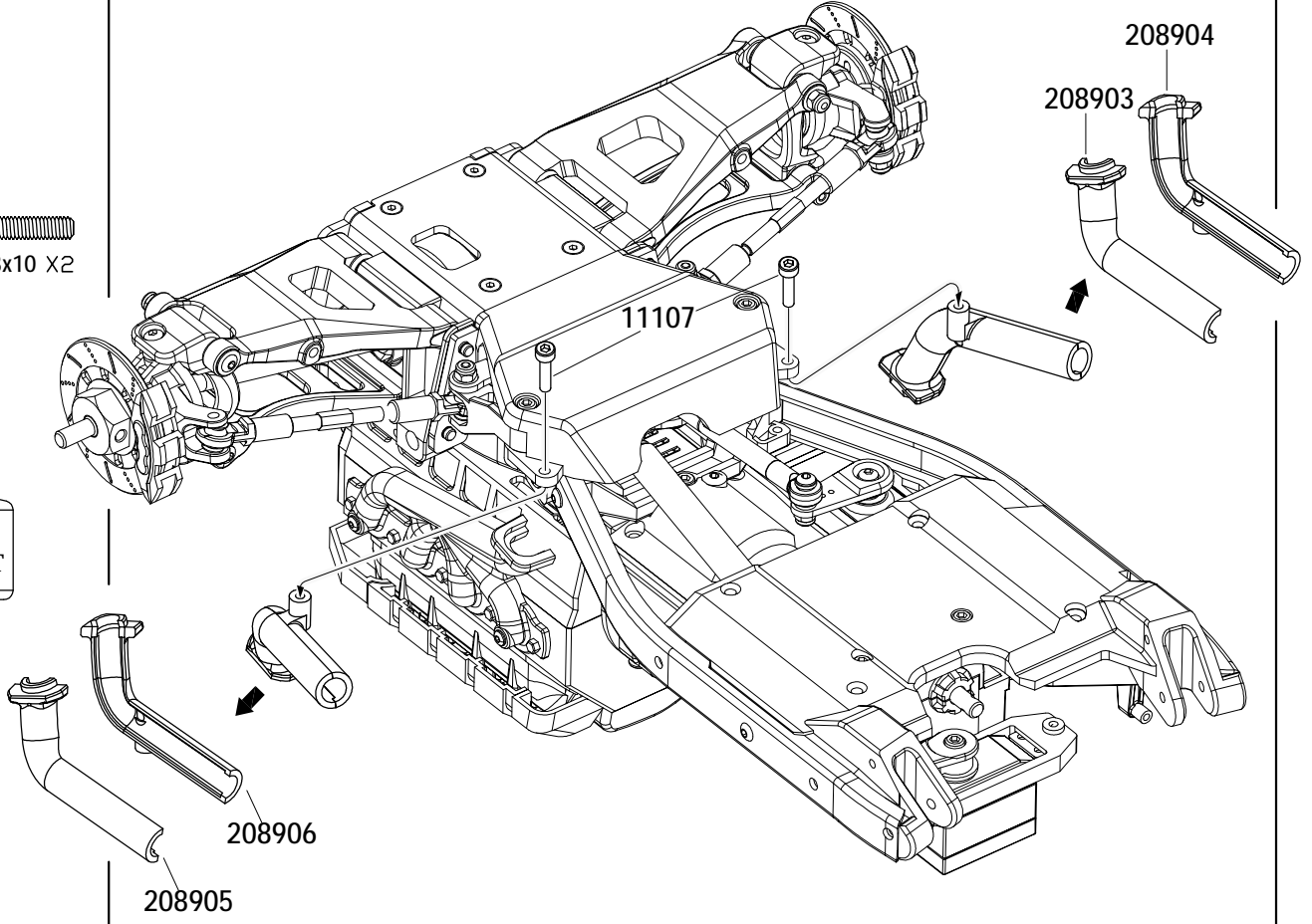
M4x11 X2
11409

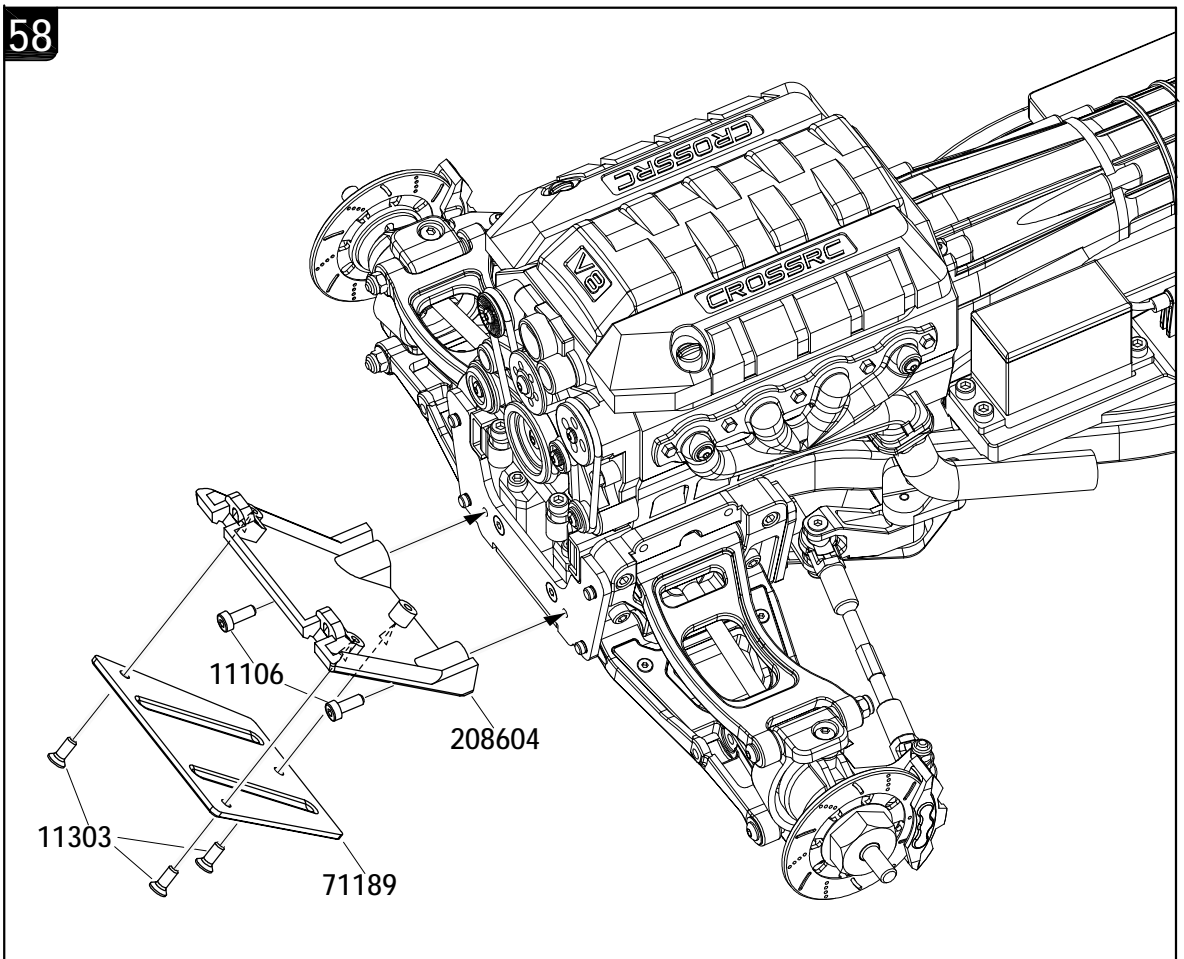
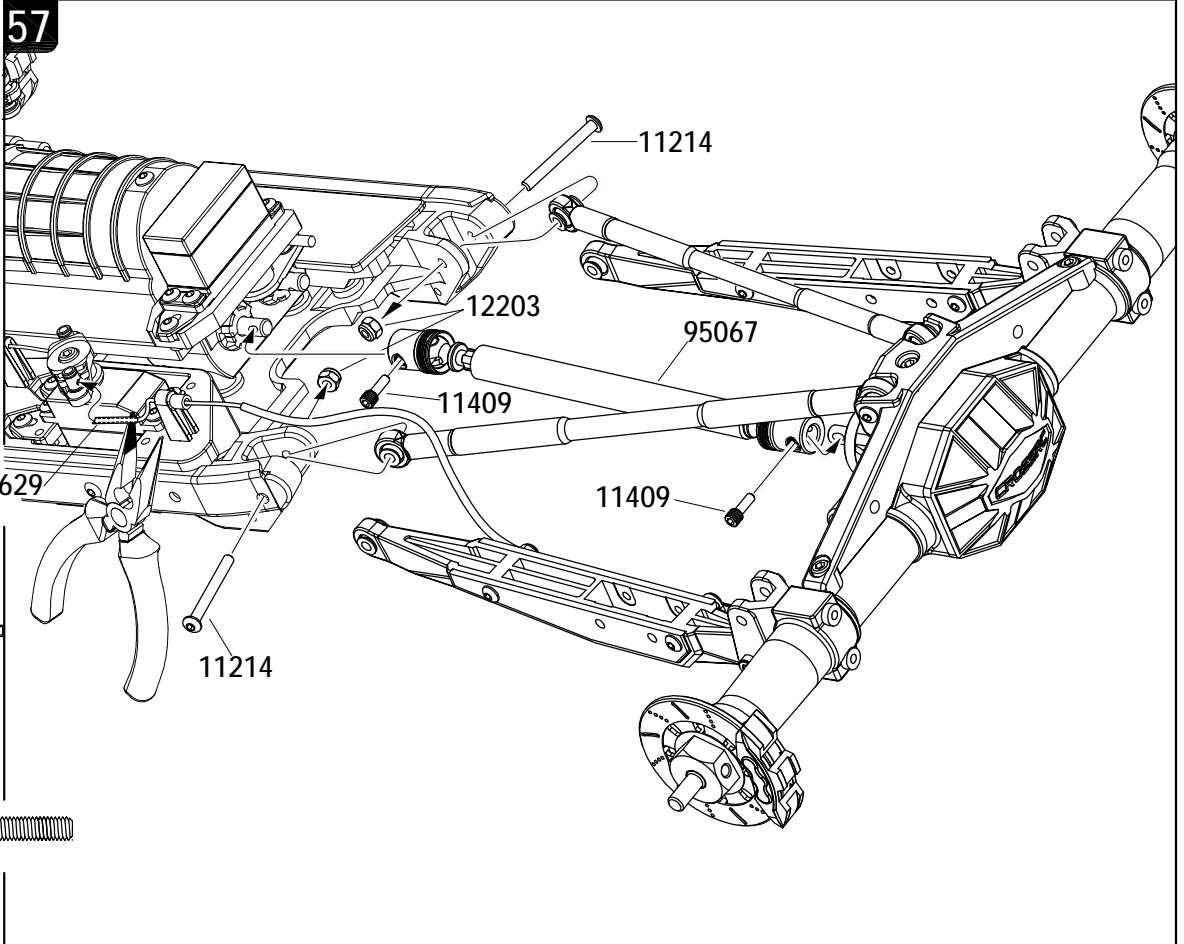


56

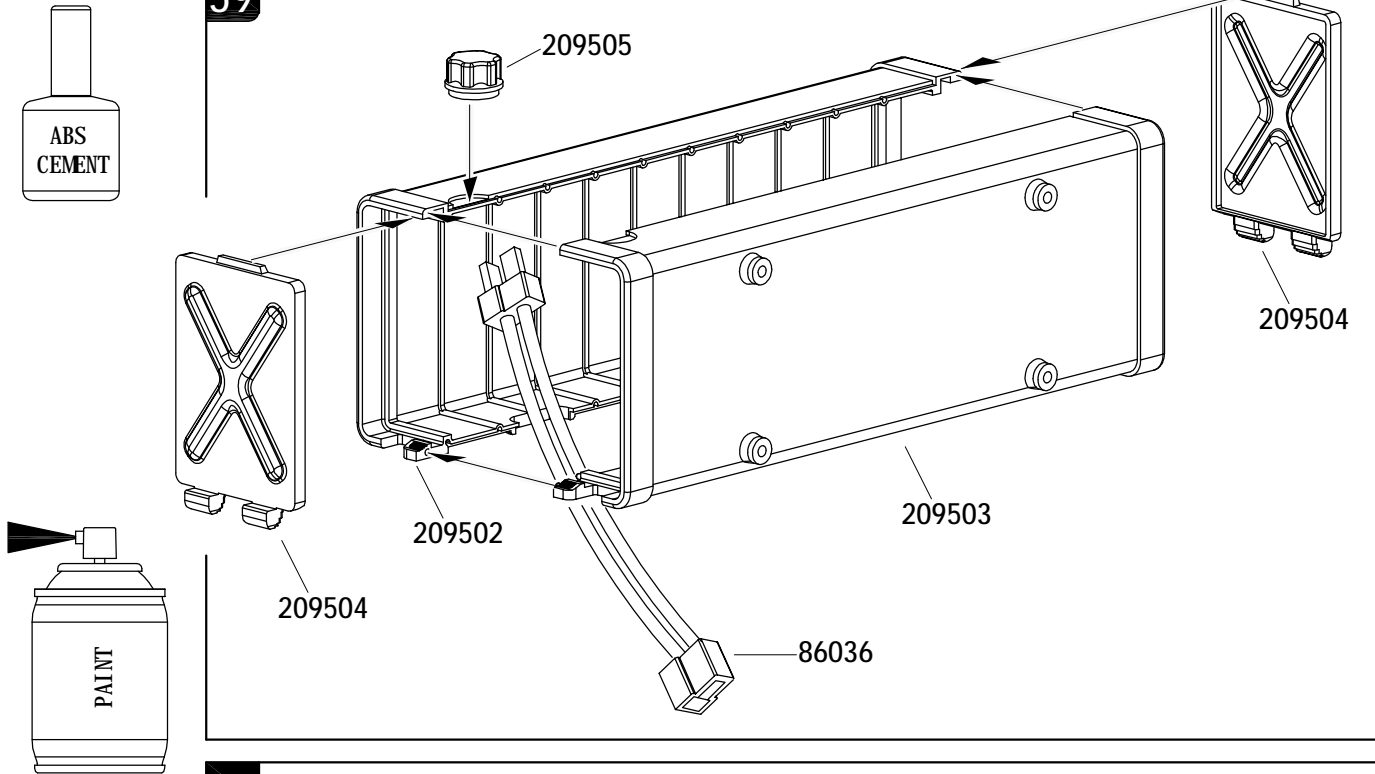
11107 M3x10 X2

ABS
CEMENT

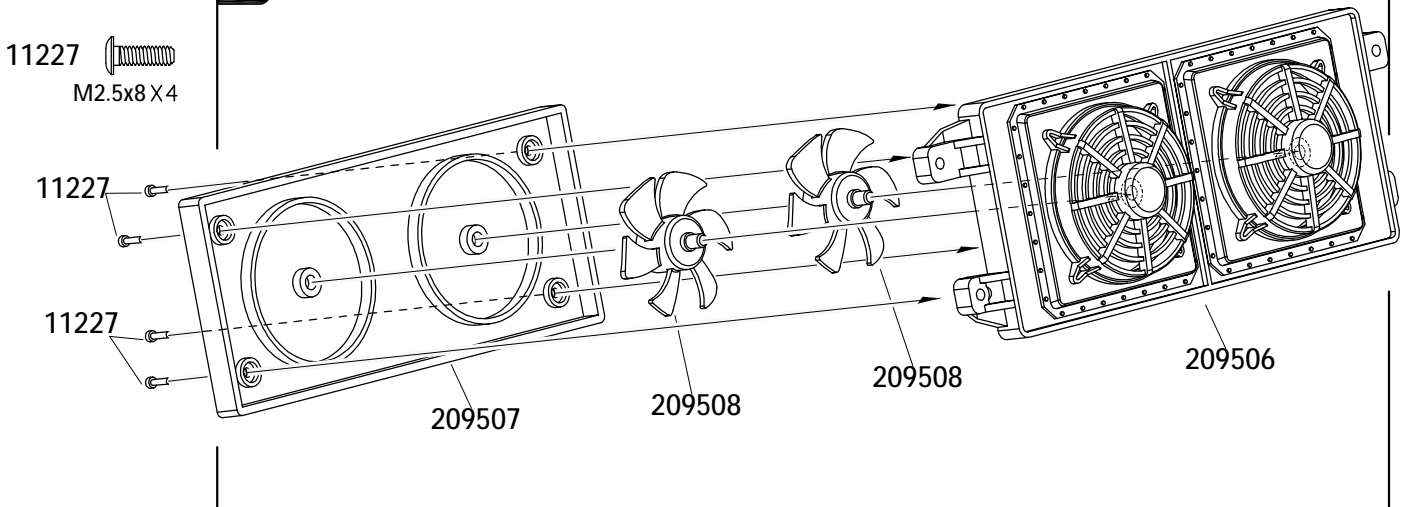




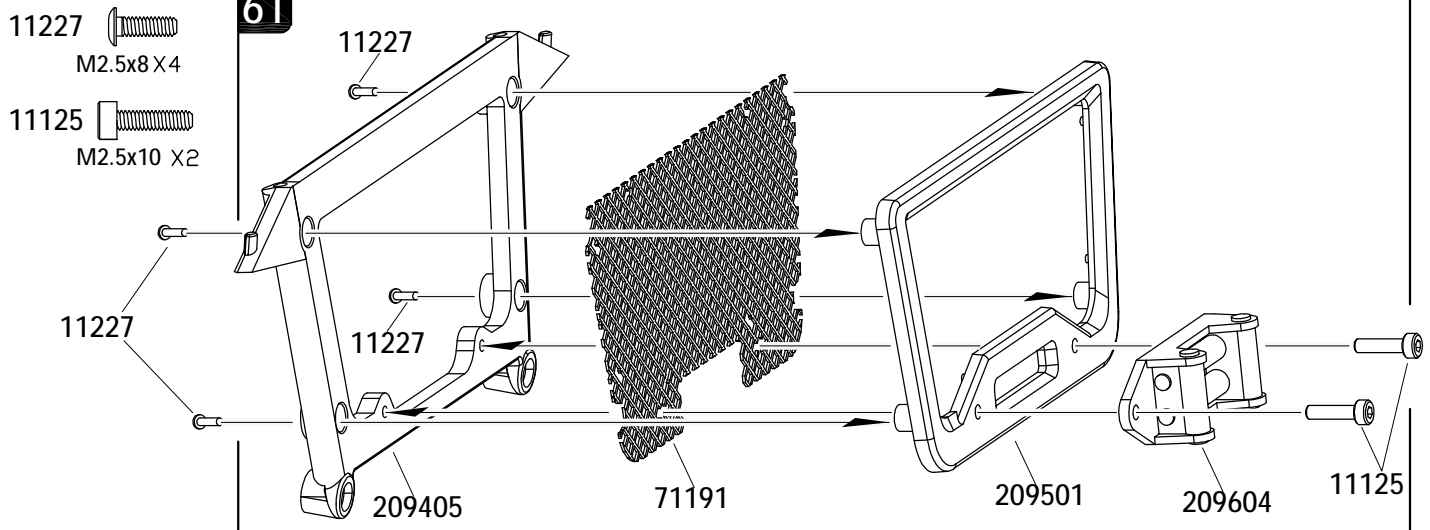
59



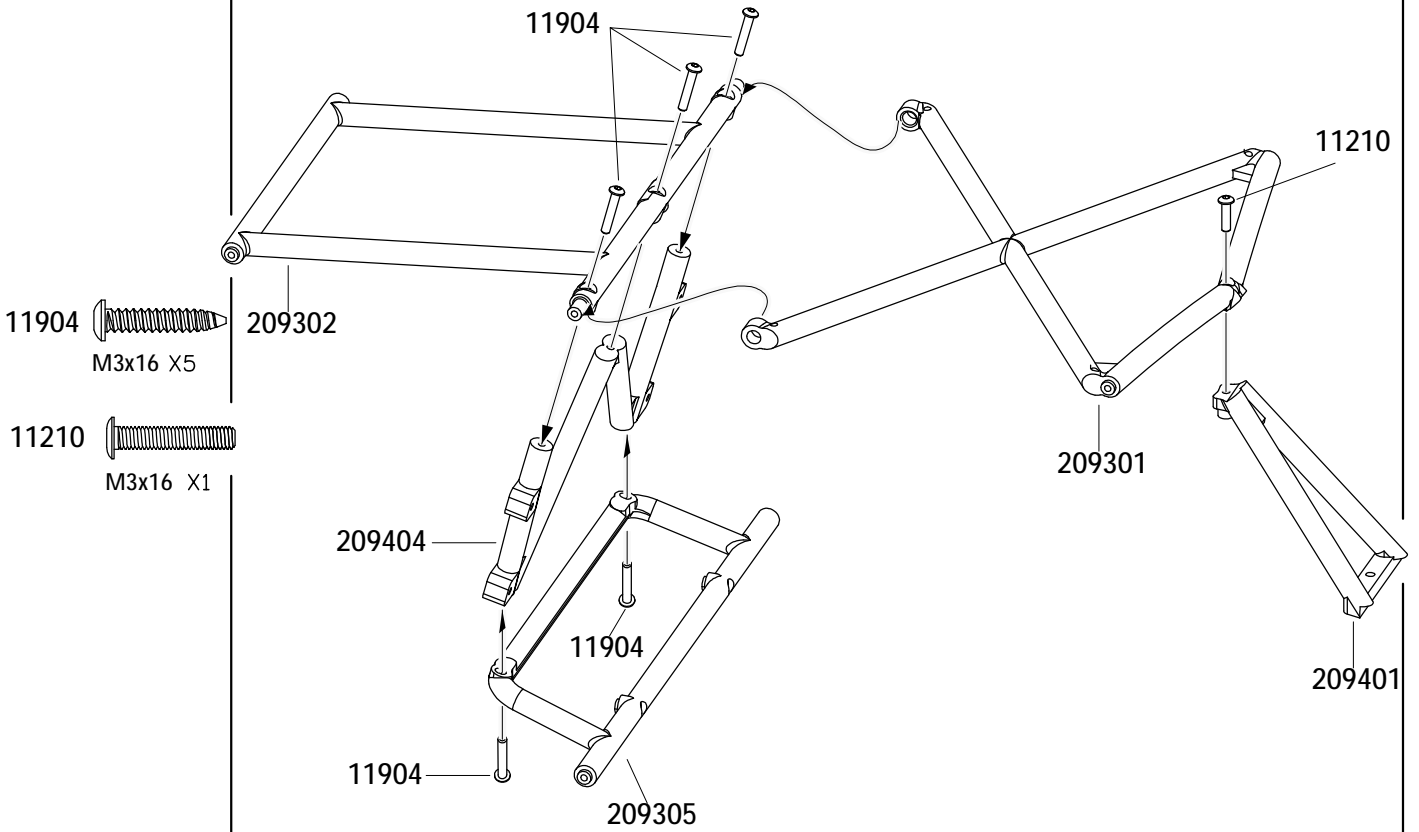
60



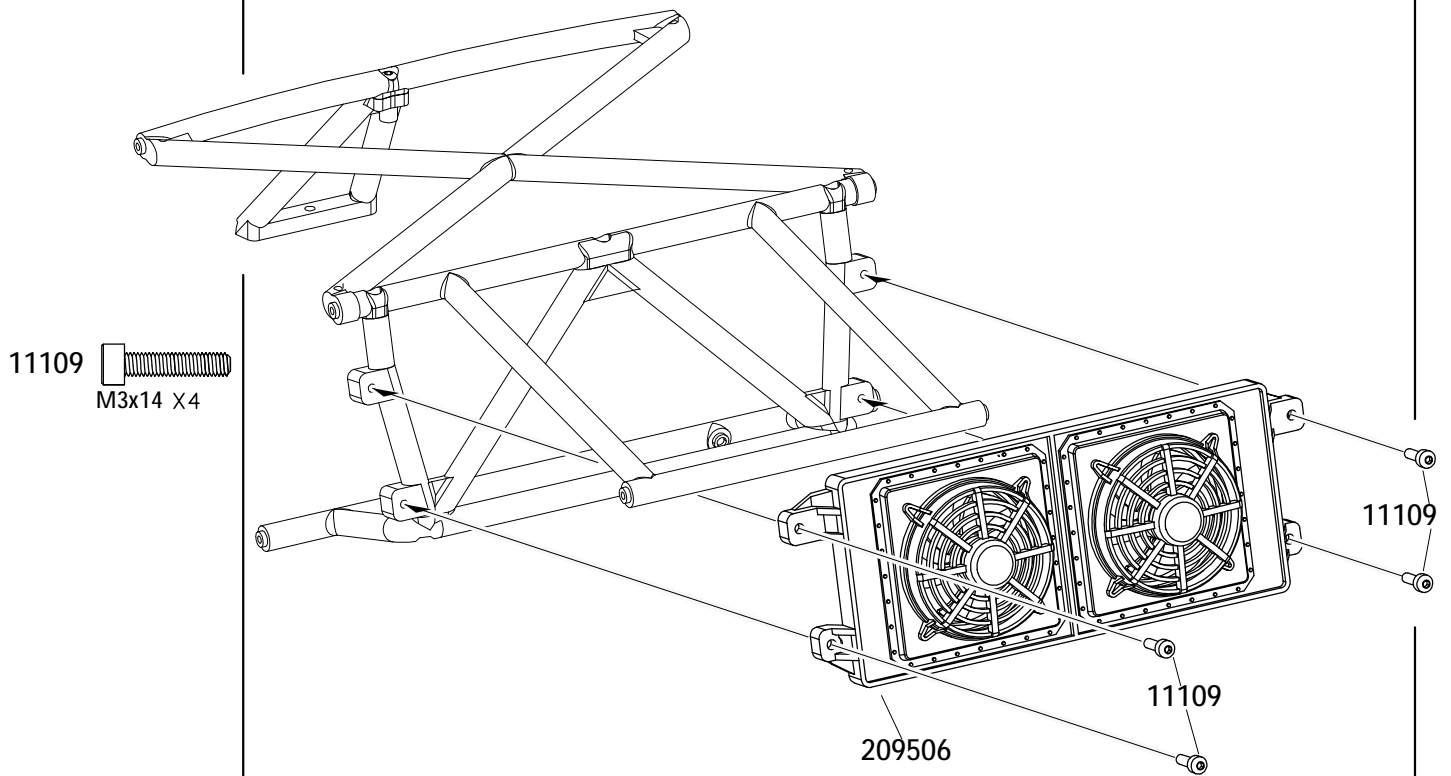
61



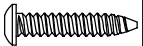
62

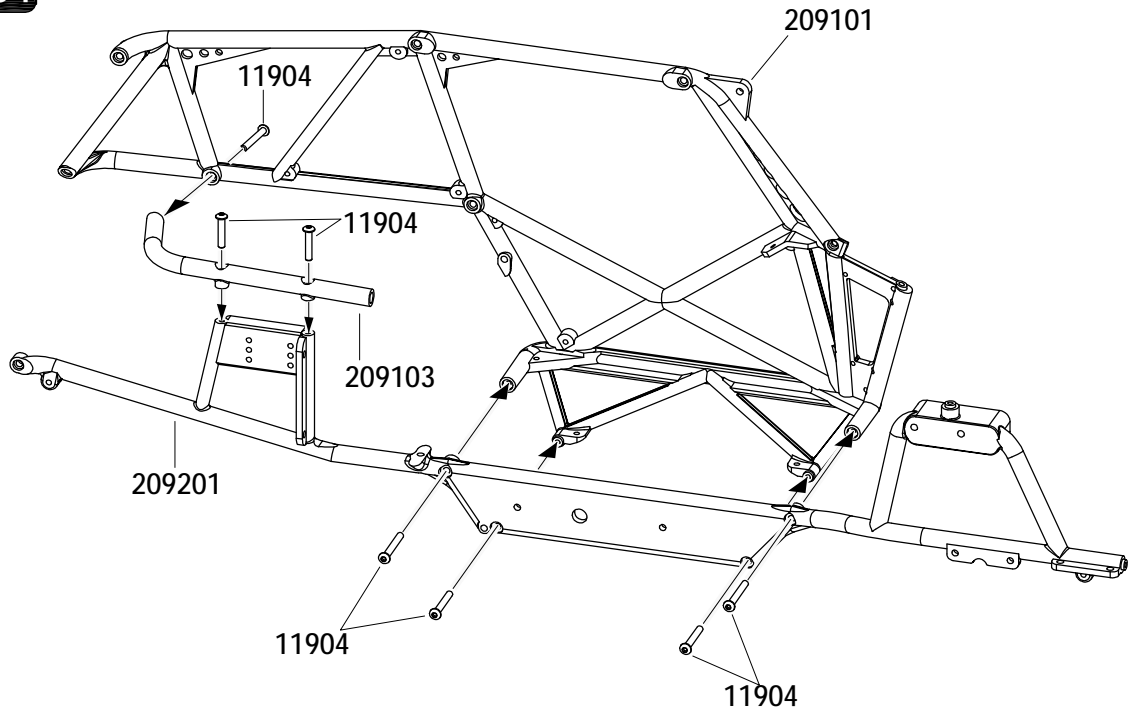


63




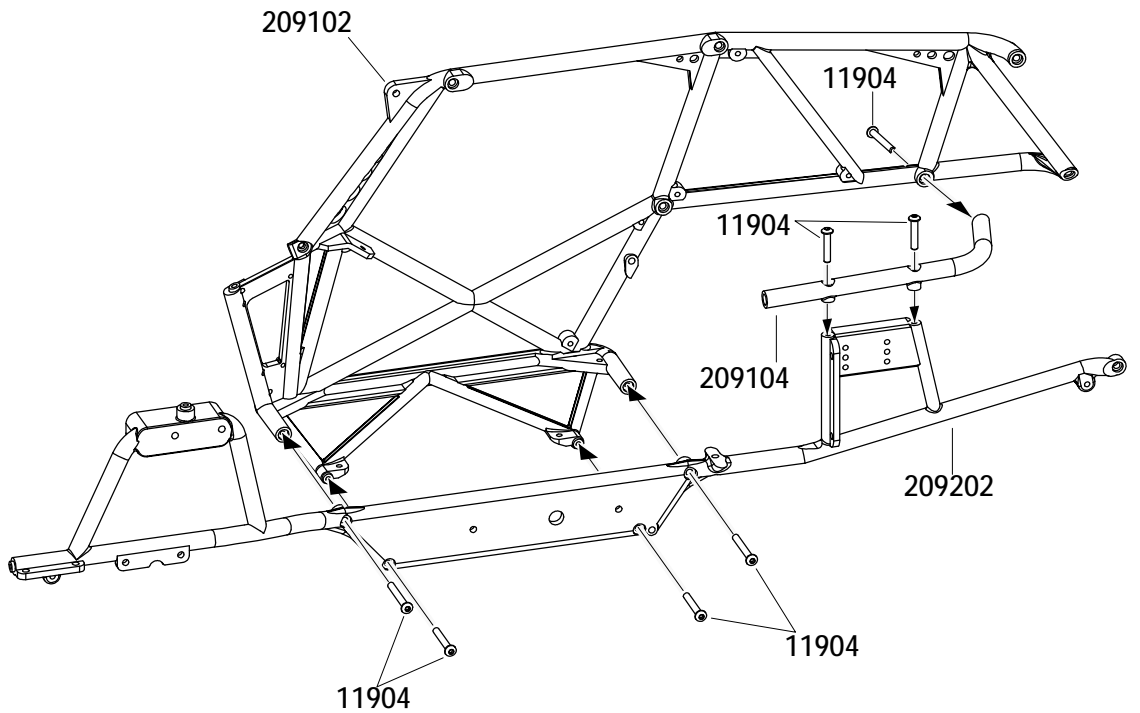
64

11904 
M3x16 X7





65

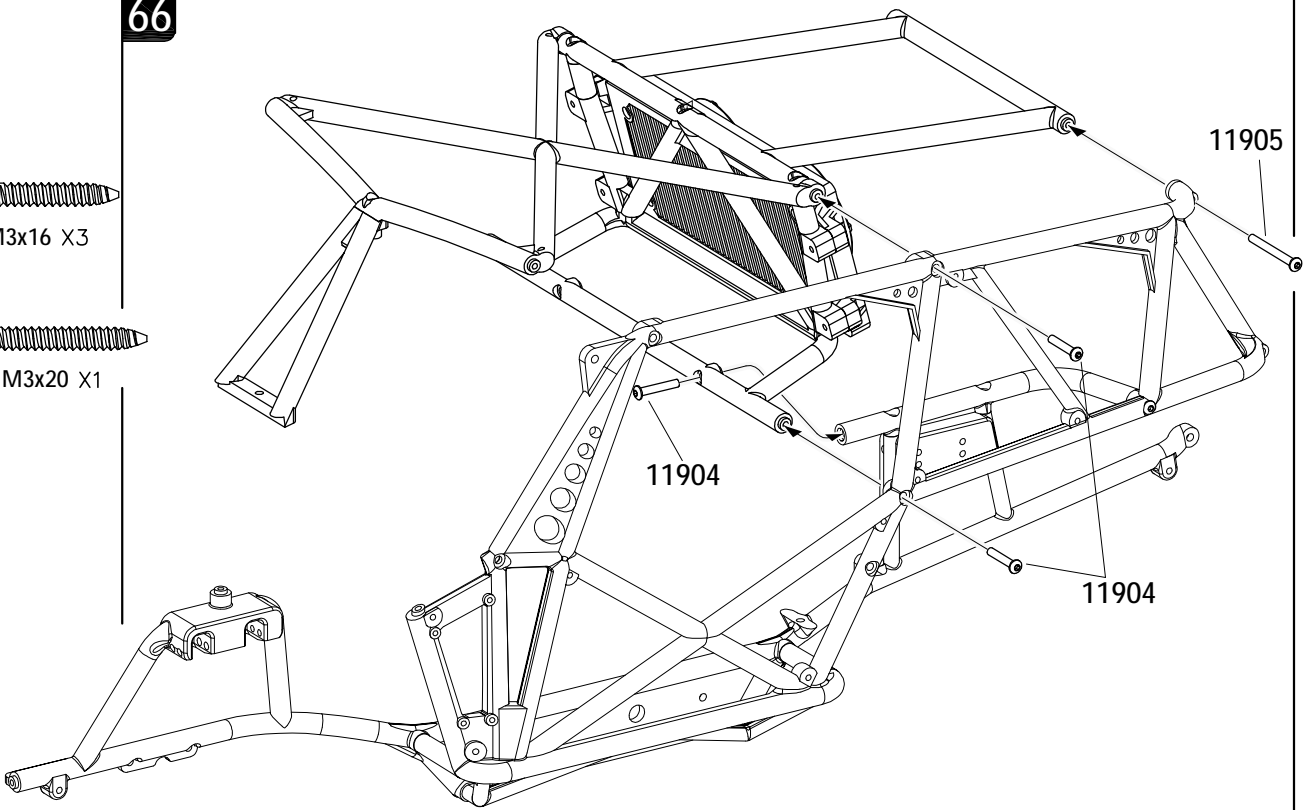
11904 
M3x16 X7




66

11904 
M3x16 X3


11905 
M3x20 X1

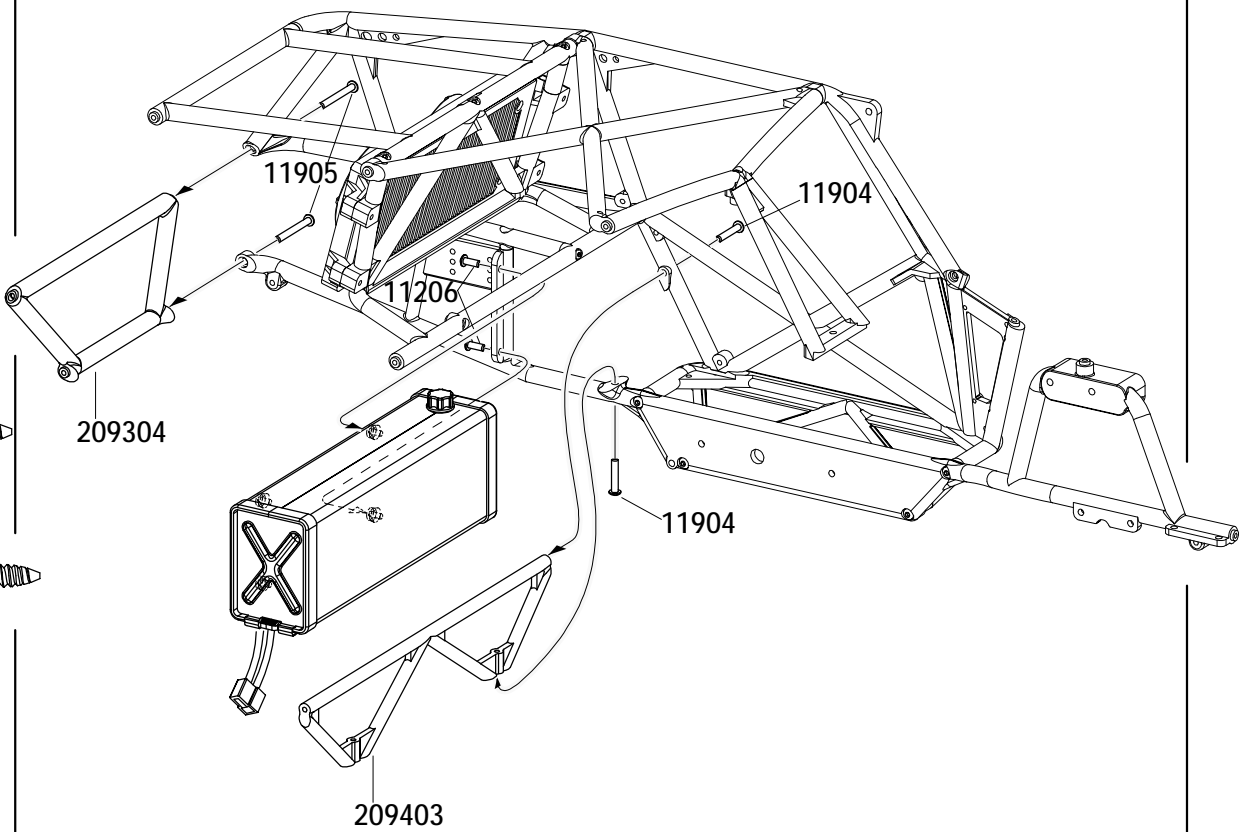


67


11904 
M3x16 X2

11905 
M3x20 X2


11206 
M3x8 X2

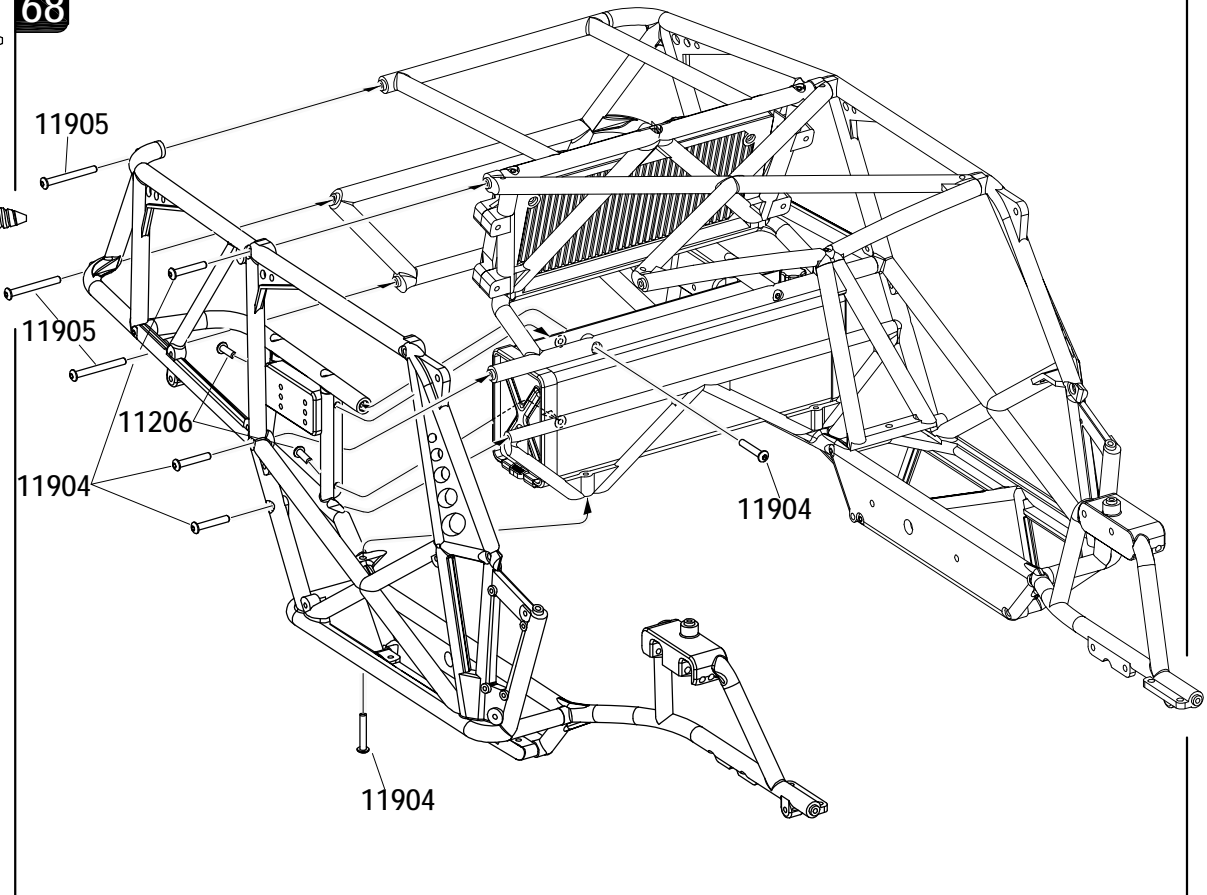


68


11904  M3x16 X5


11905  M3x20 X3

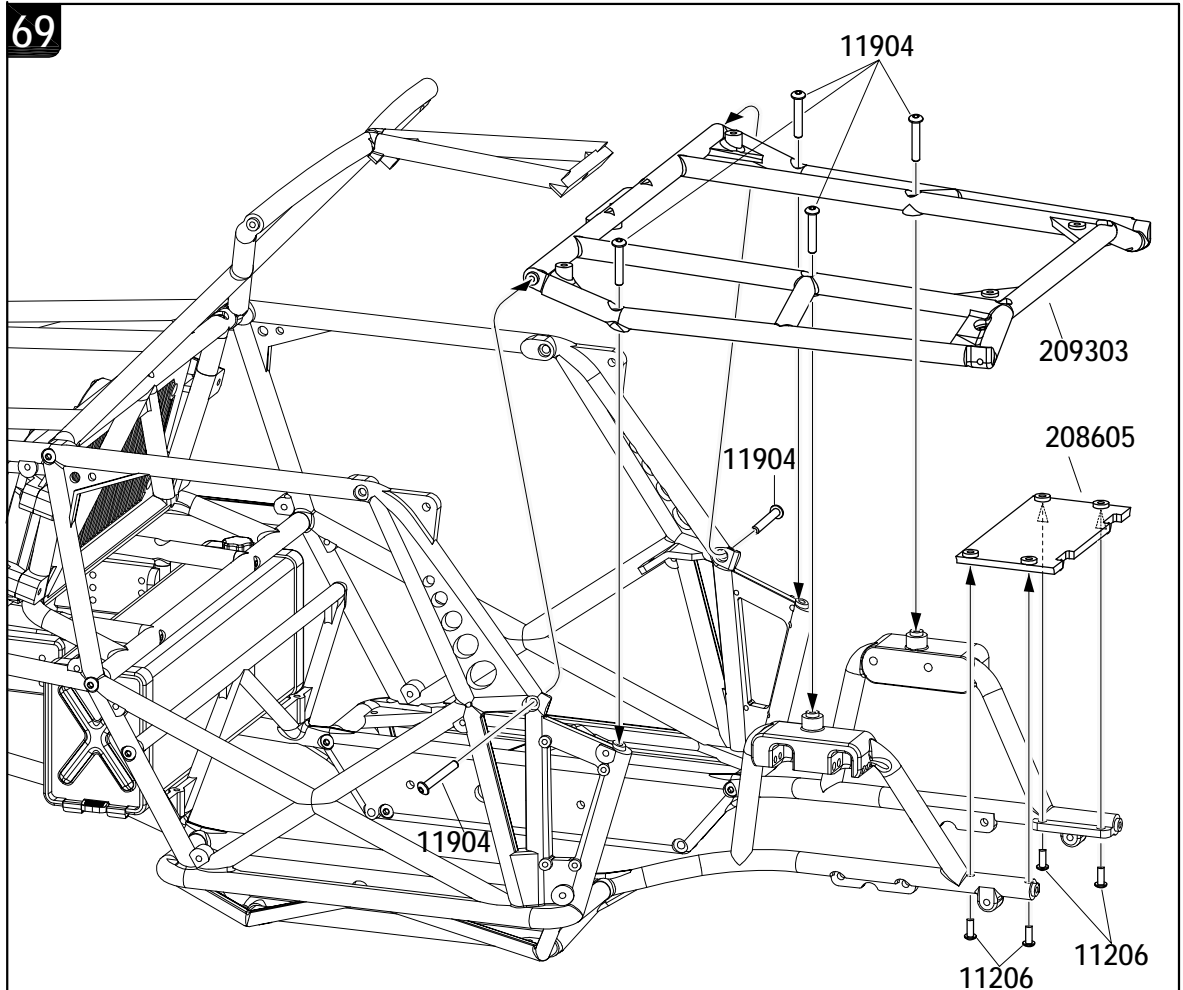
11206  M3x8 X2




69


11904  M3x16 X6


11206  M3x8 X4

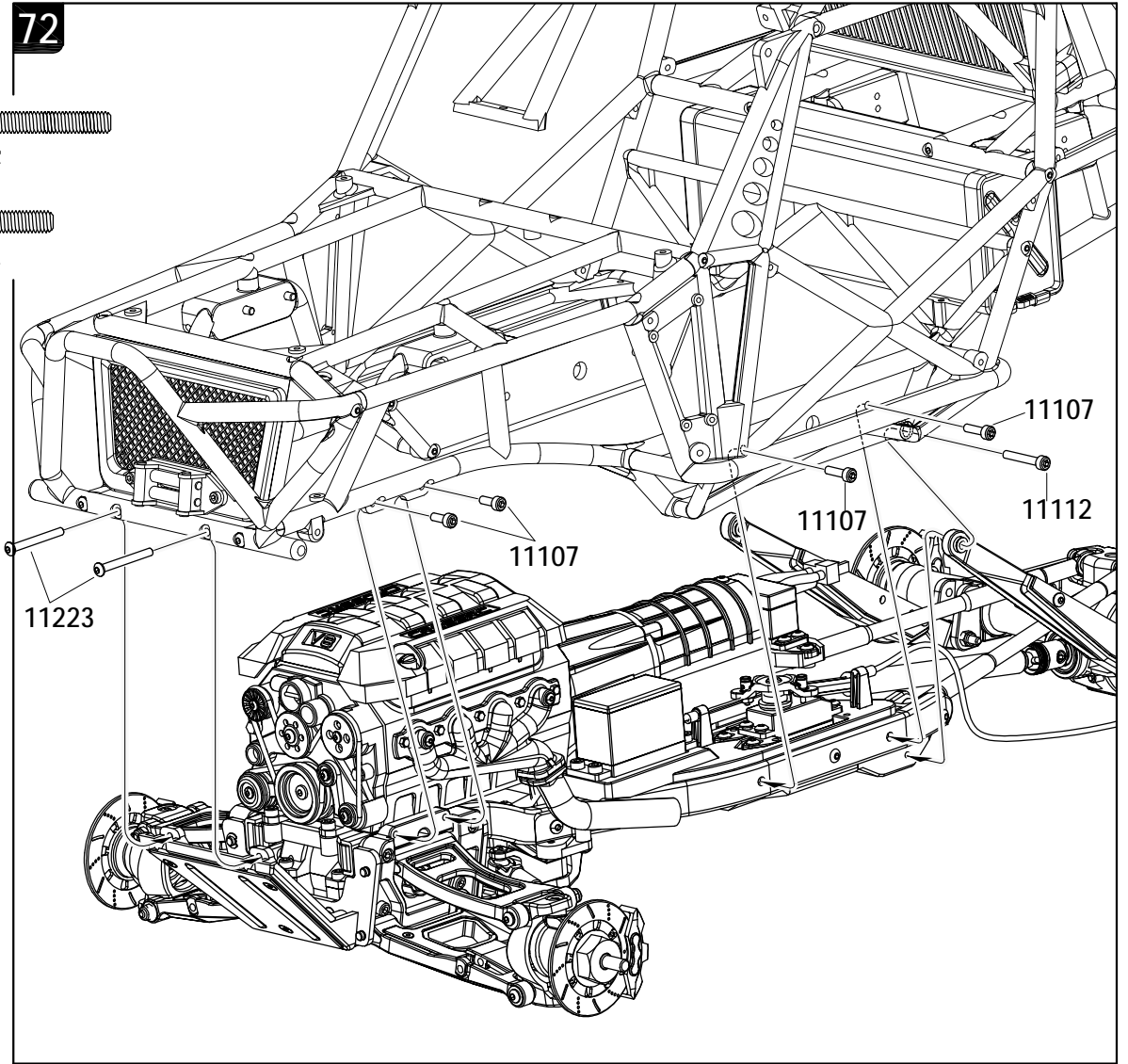


72


11223  M3x30 X2


11112  M3x20 X1

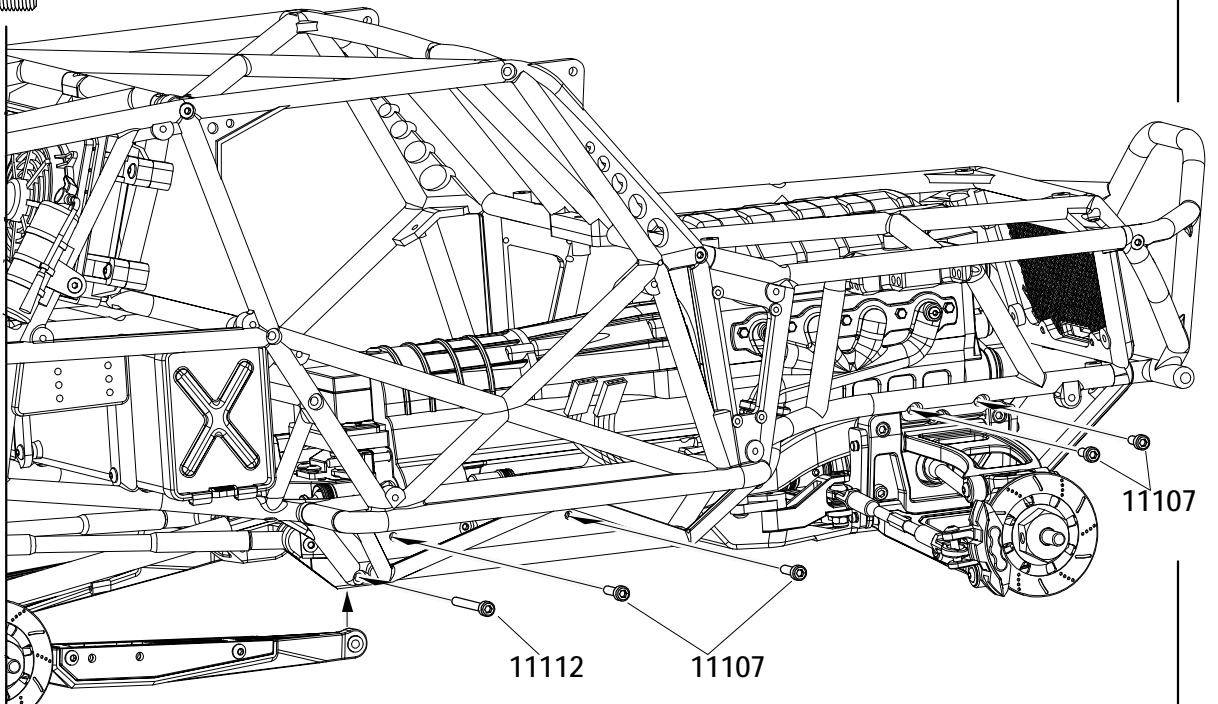
11107  M3x10 X4



73

11112  M3x20 X1

11107  M3x10 X4



74

11123
M3x45 X2

11123

11210
M3x16 X2

11212
M3x20 X2

11113
M3x22 X2

11210

209207

12203

11212

11113

12203
M3 X2

75

12203

209207

11212

11113

11210

11123

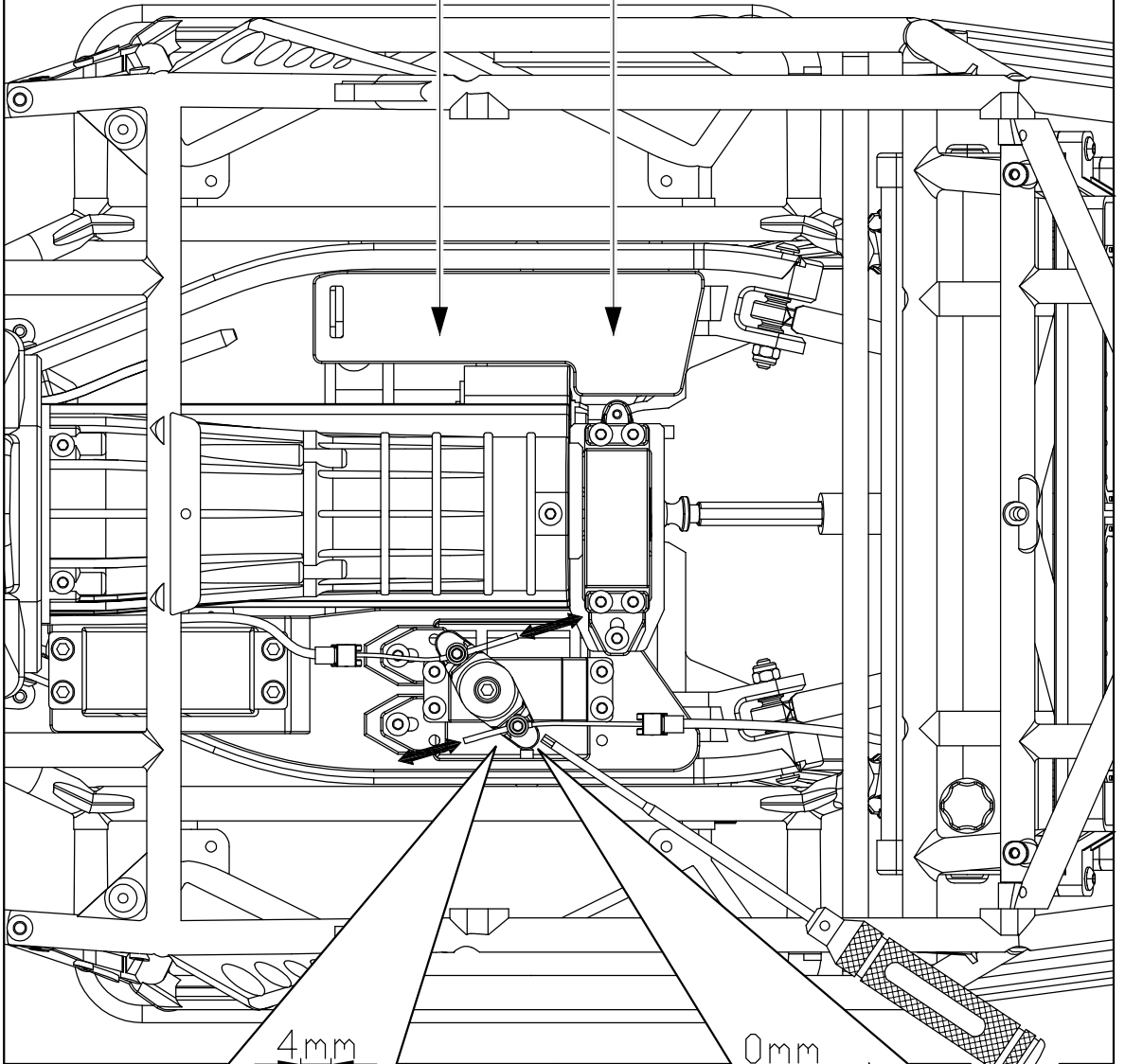
76

Receiver
(Not included)

ESC
(Not included)

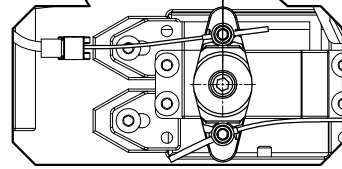
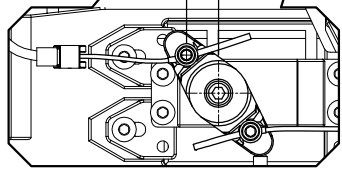
85018
85008

85018
85008



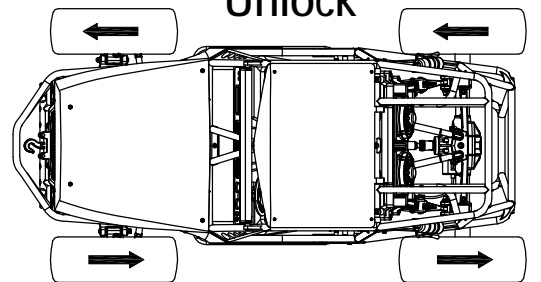
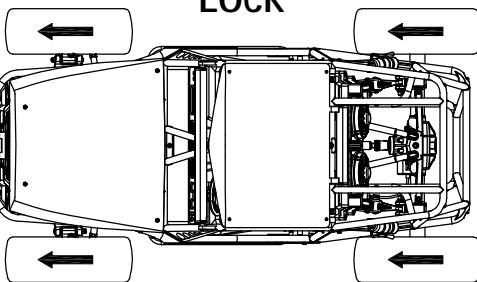
4mm

0mm

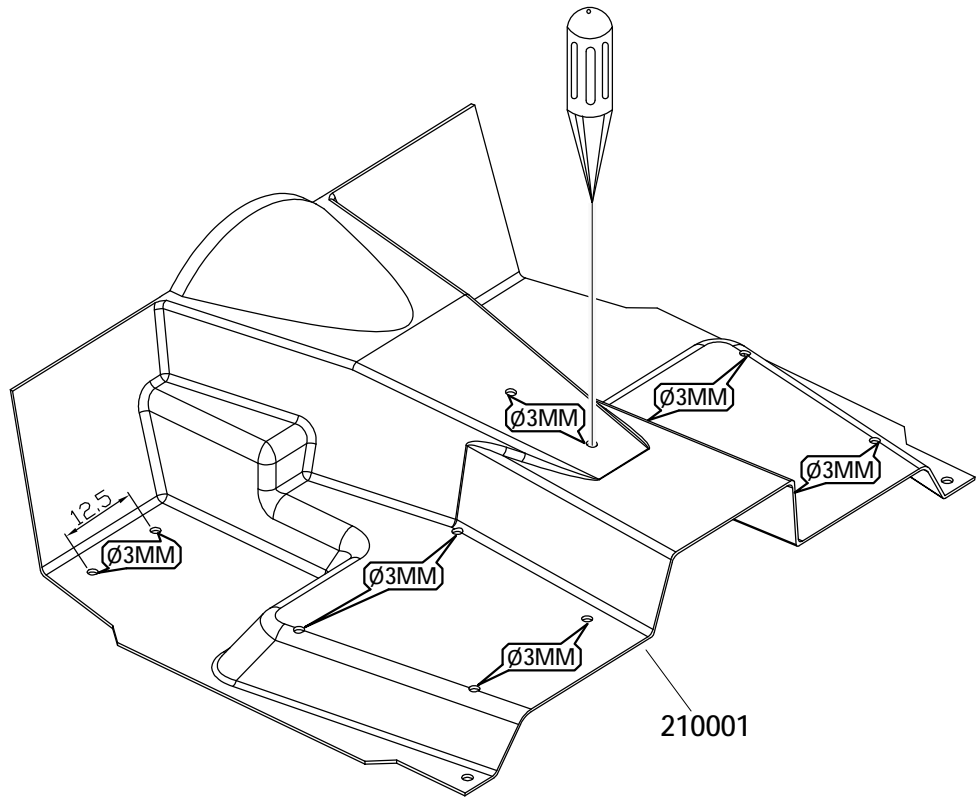


Lock

Unlock

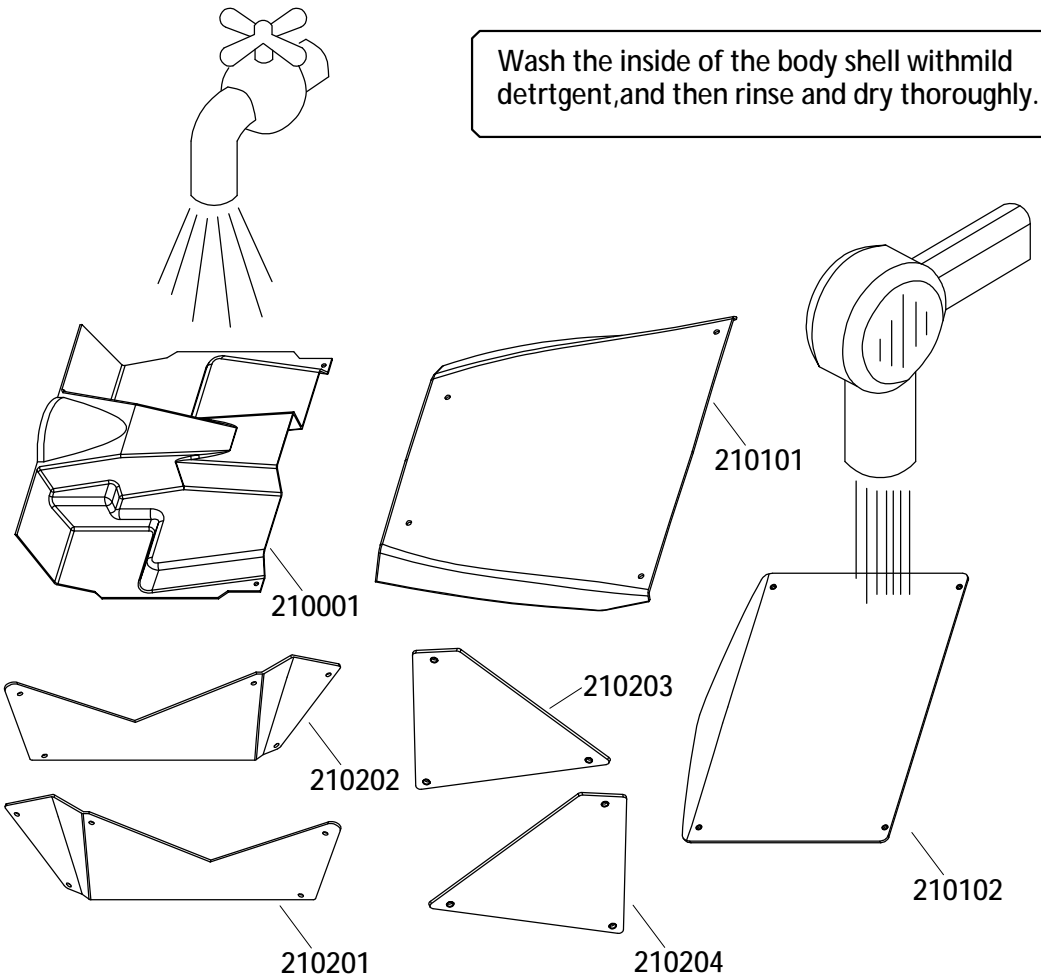


77

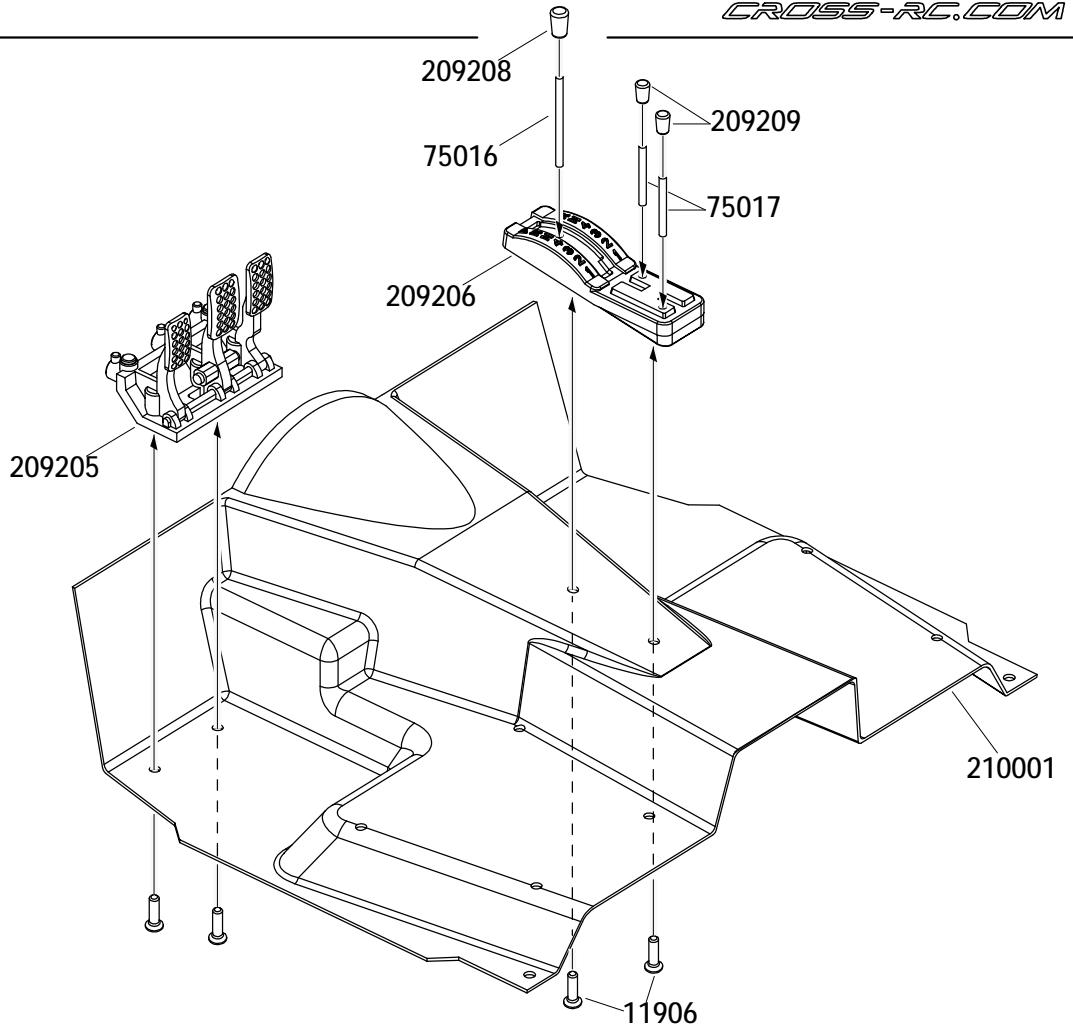



78

Wash the inside of the body shell with mild detergent, and then rinse and dry thoroughly.

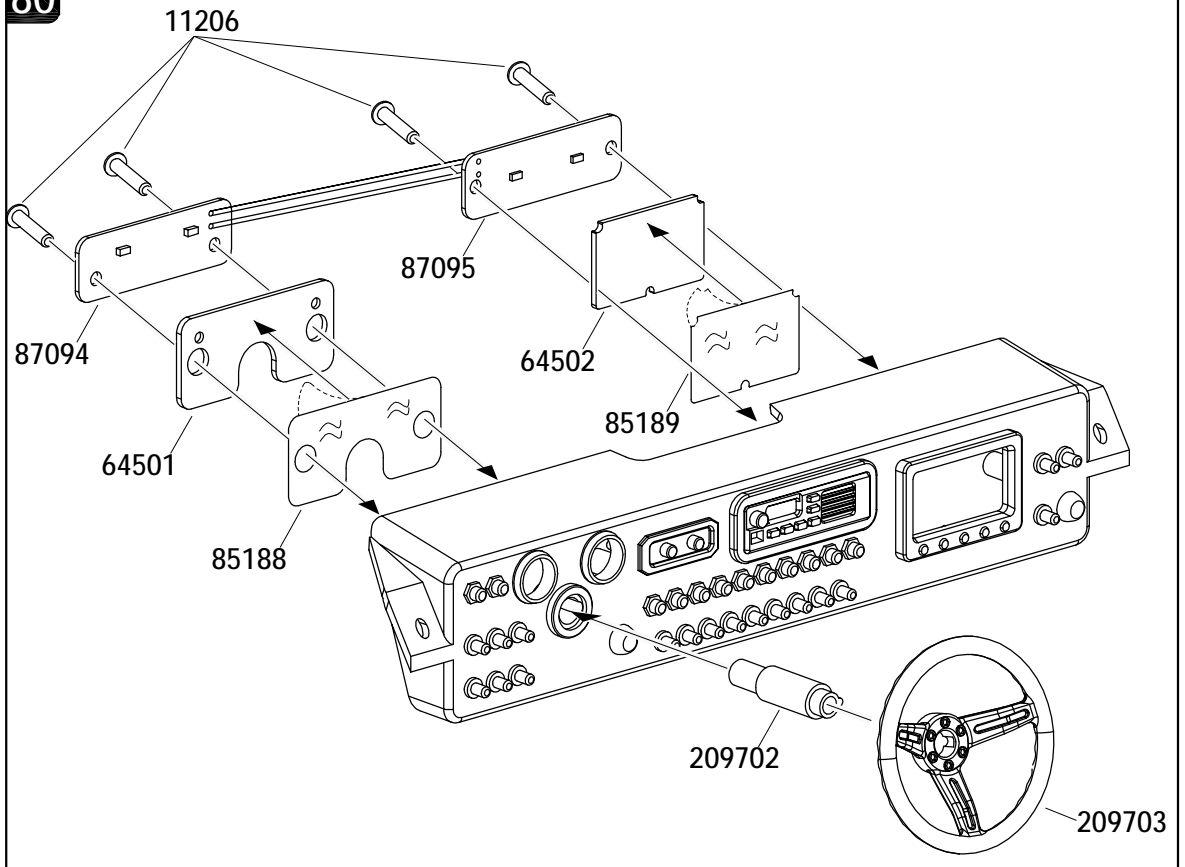


79



11906 
M3x8 X4


80

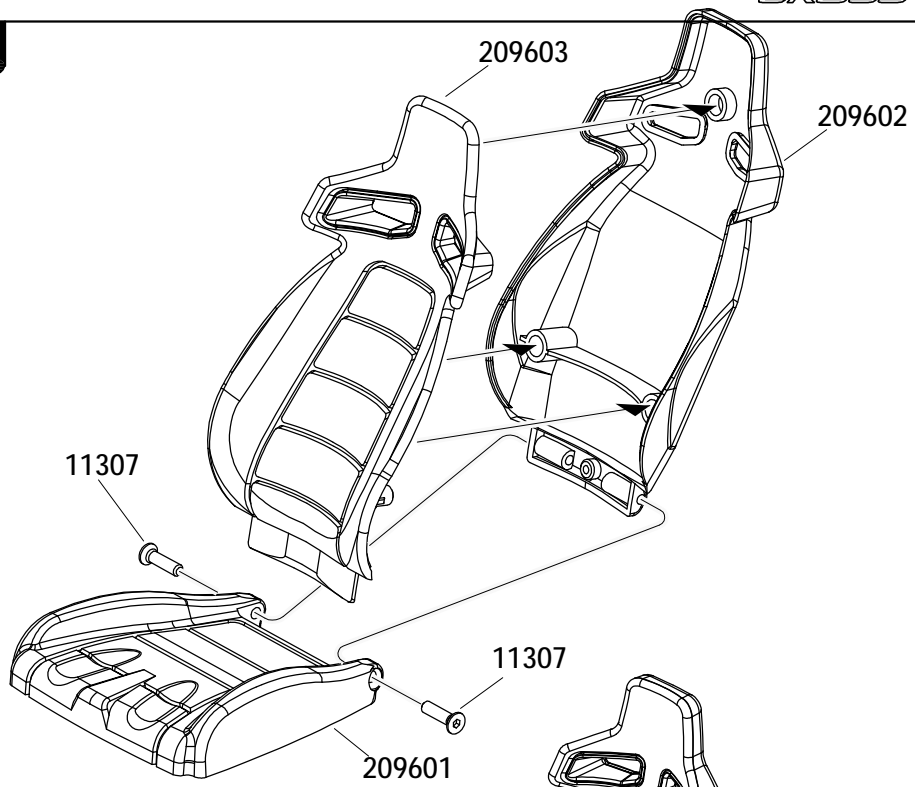


11206 
M3x8 X4




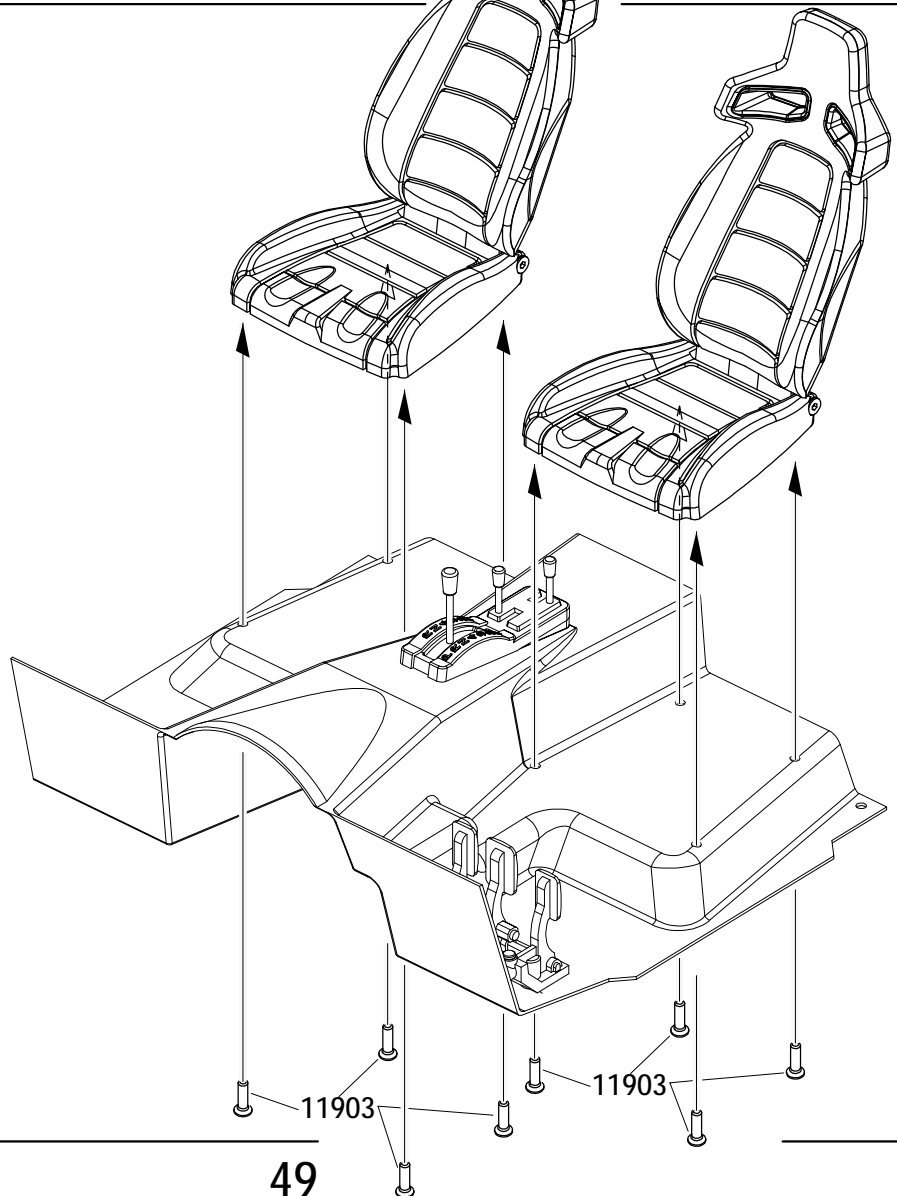
81

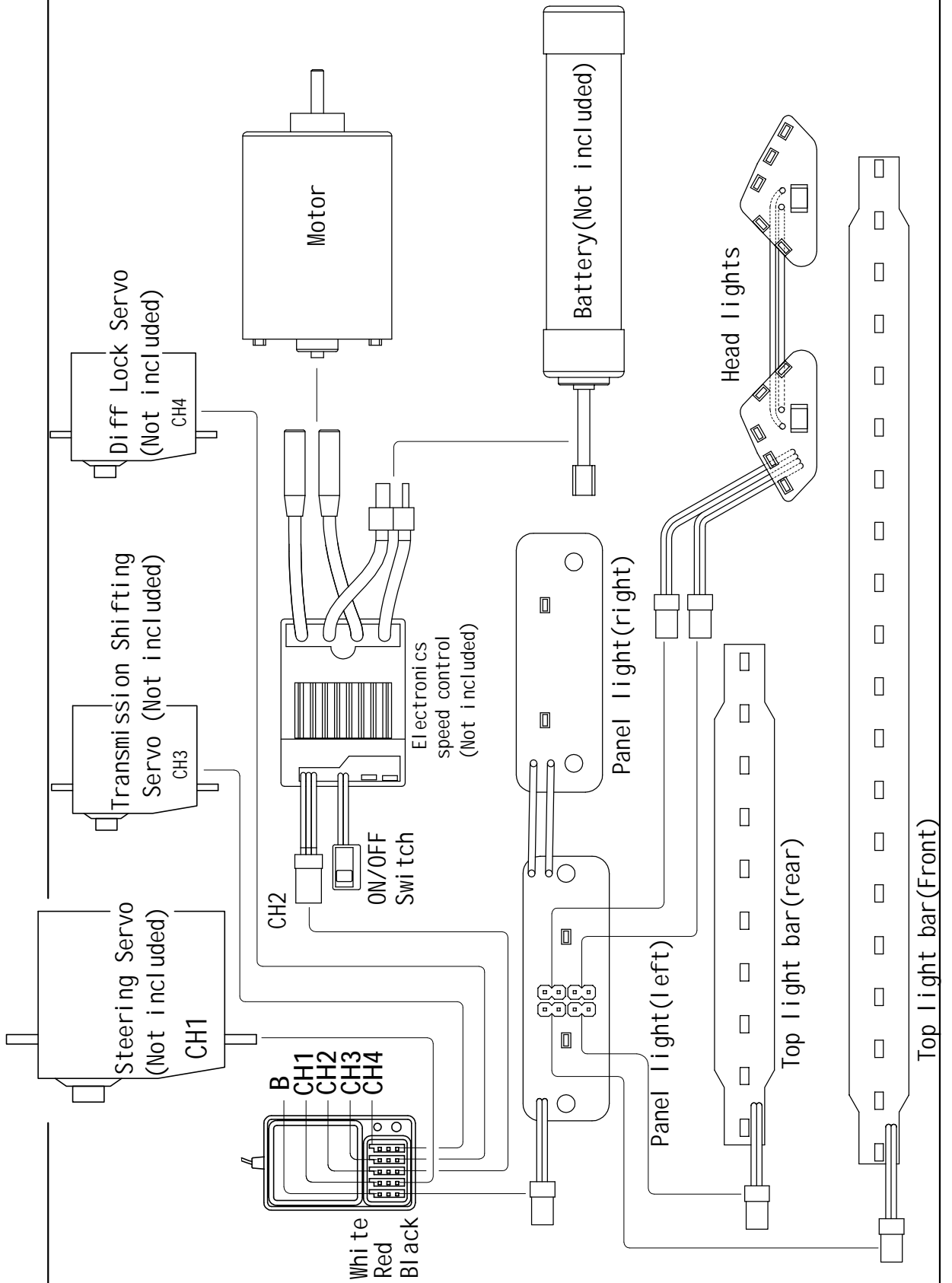
11307 
M3x14 X4




82

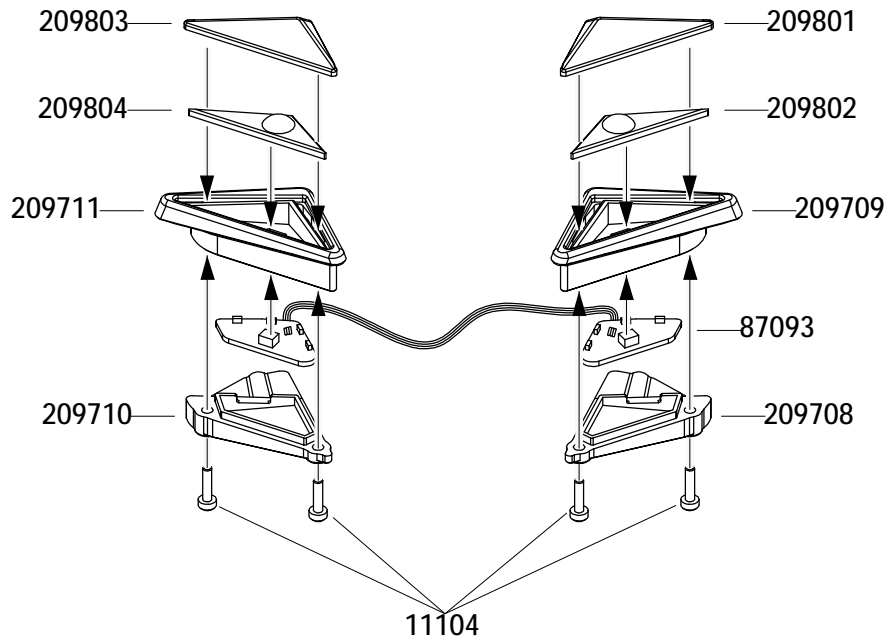
11903 
M3x10 X8






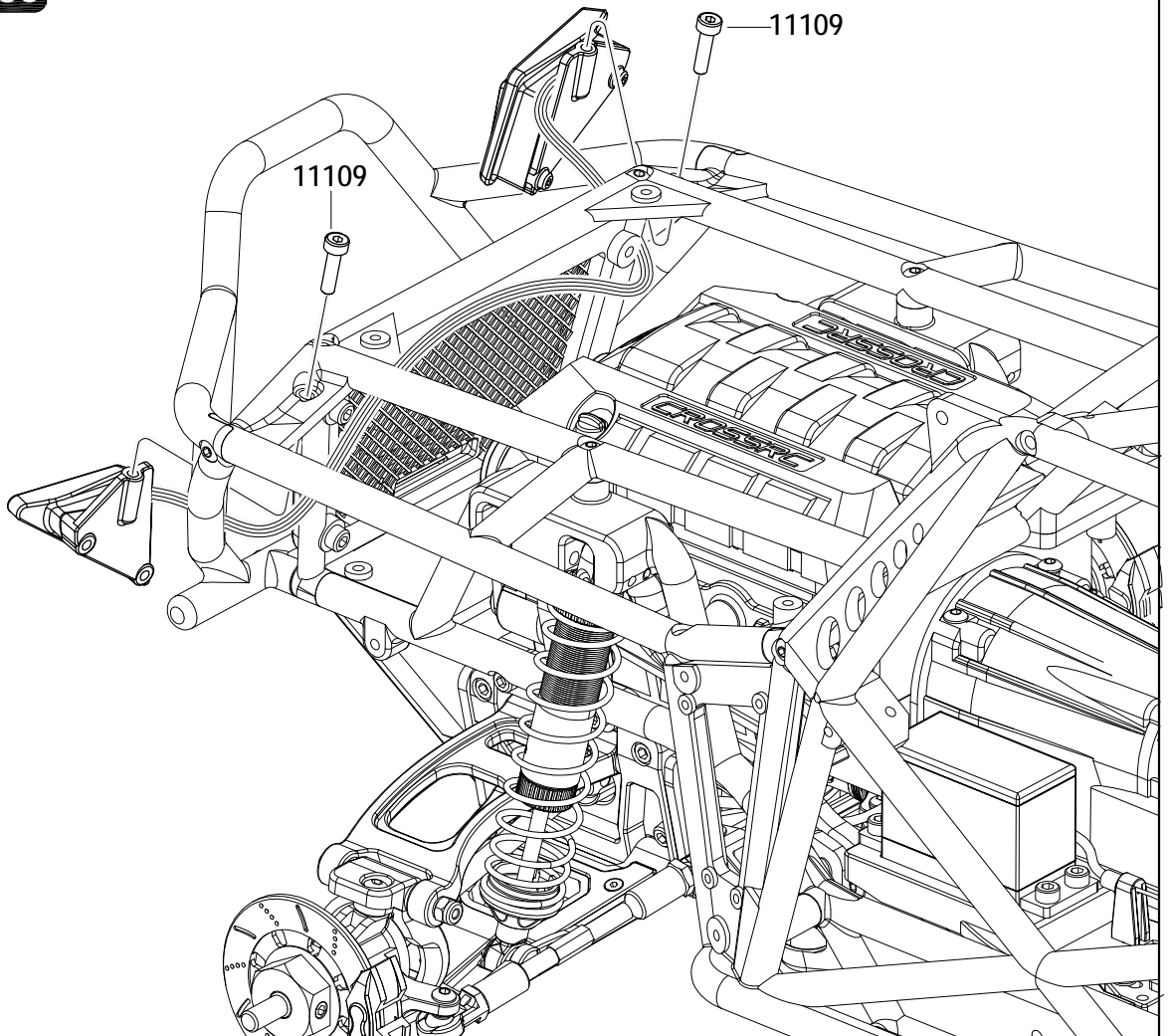
84

11104  M2x10 X4




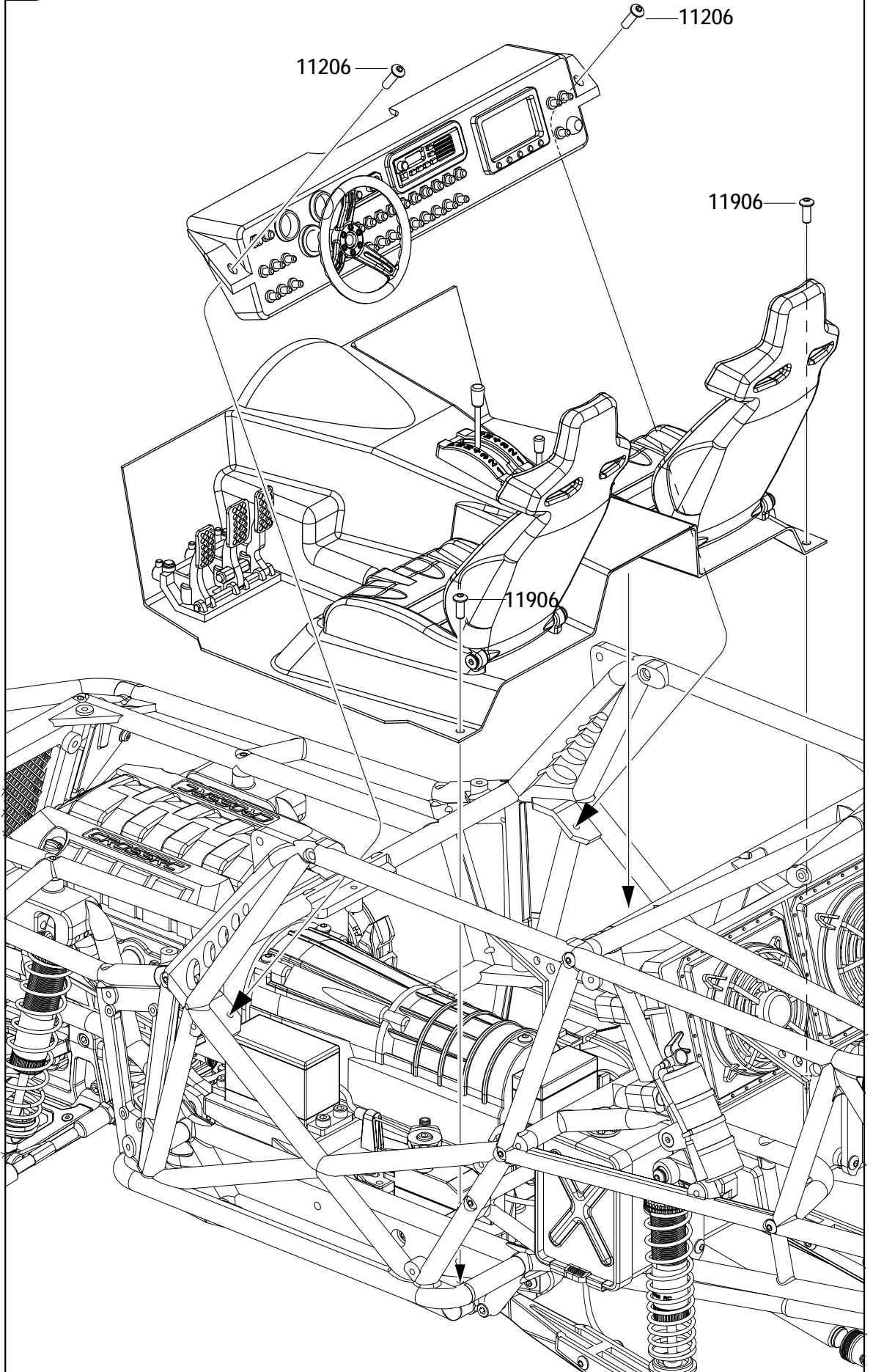
85

11109  M3x14 X2

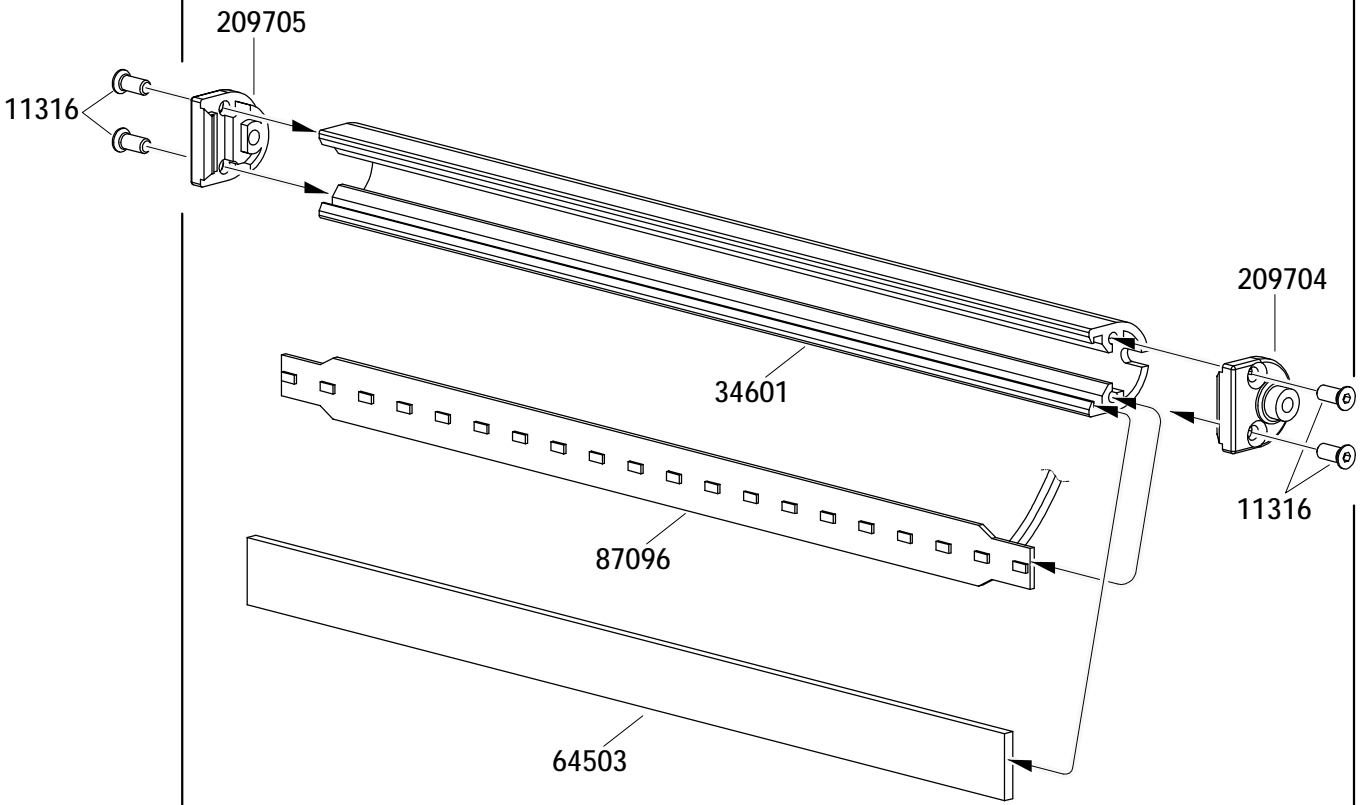



11206 
M3x8 X4

11906 
M3x8 X2

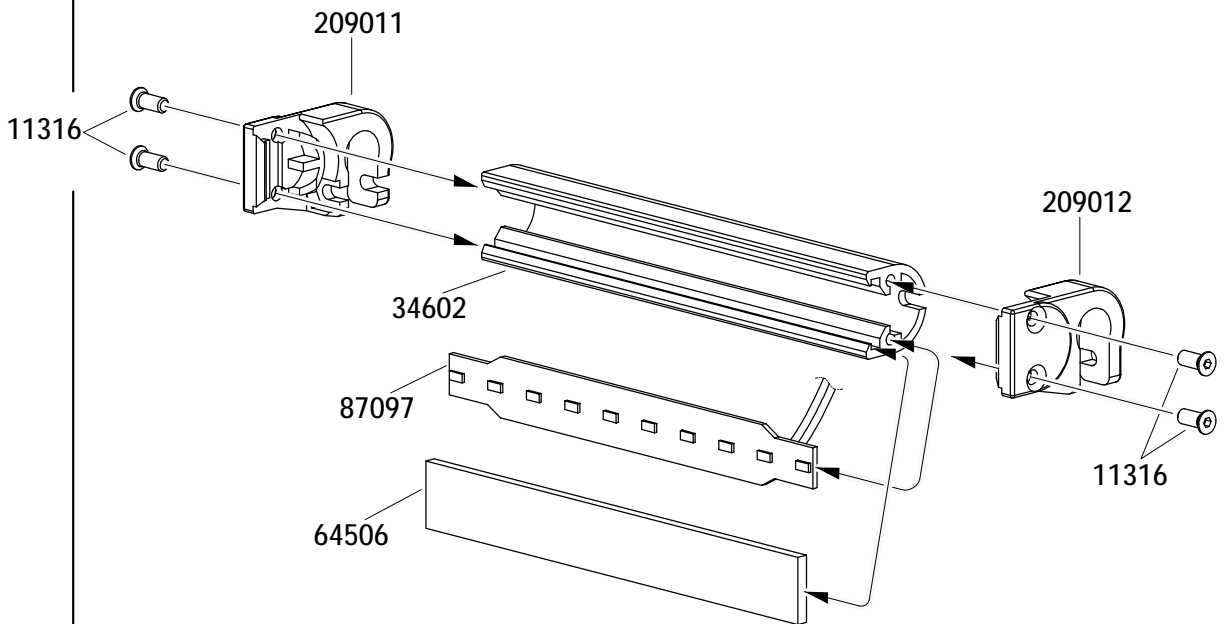


87




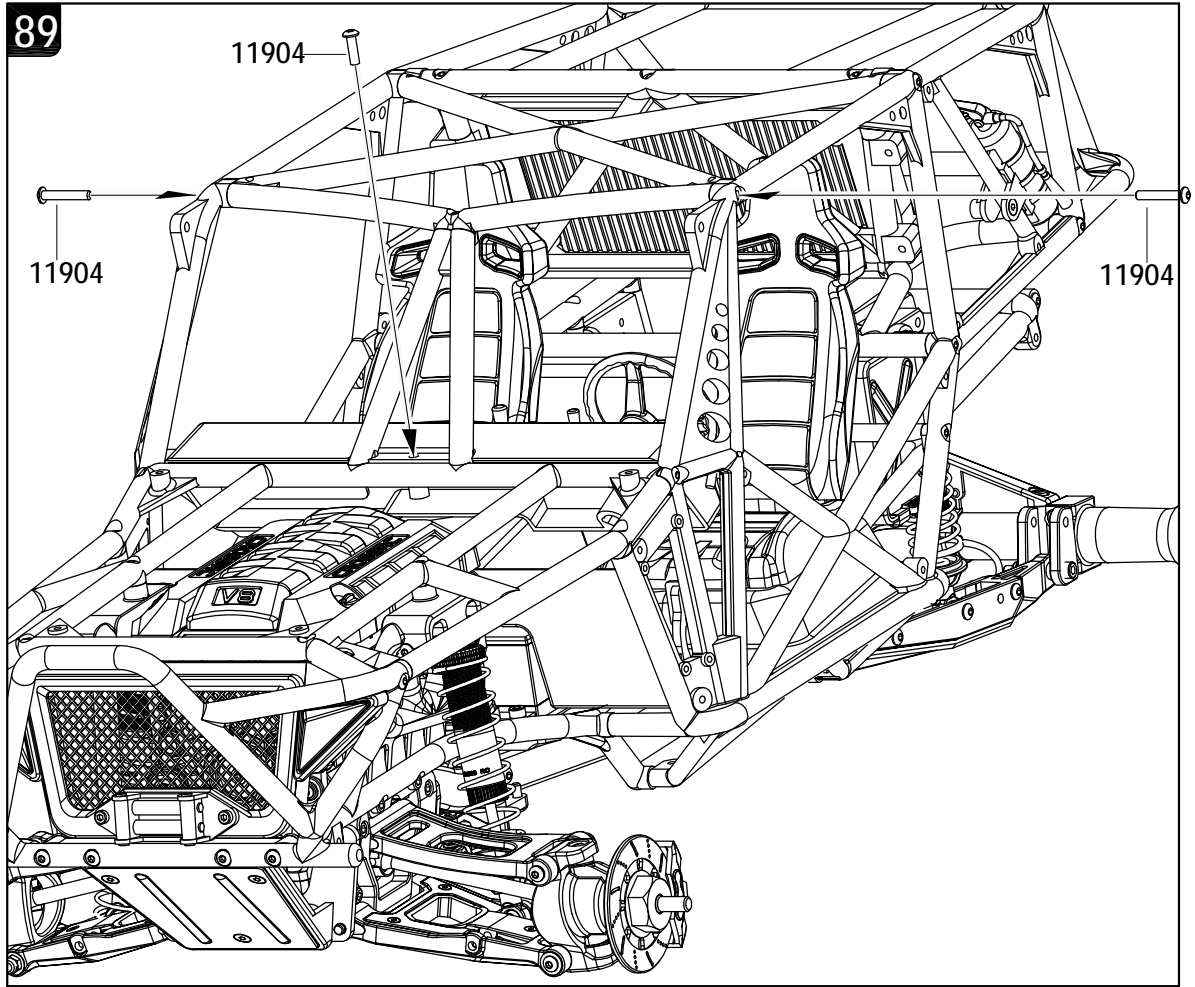
11316 
M2.5x10 X8

88





89


11904 
M3x16 X3

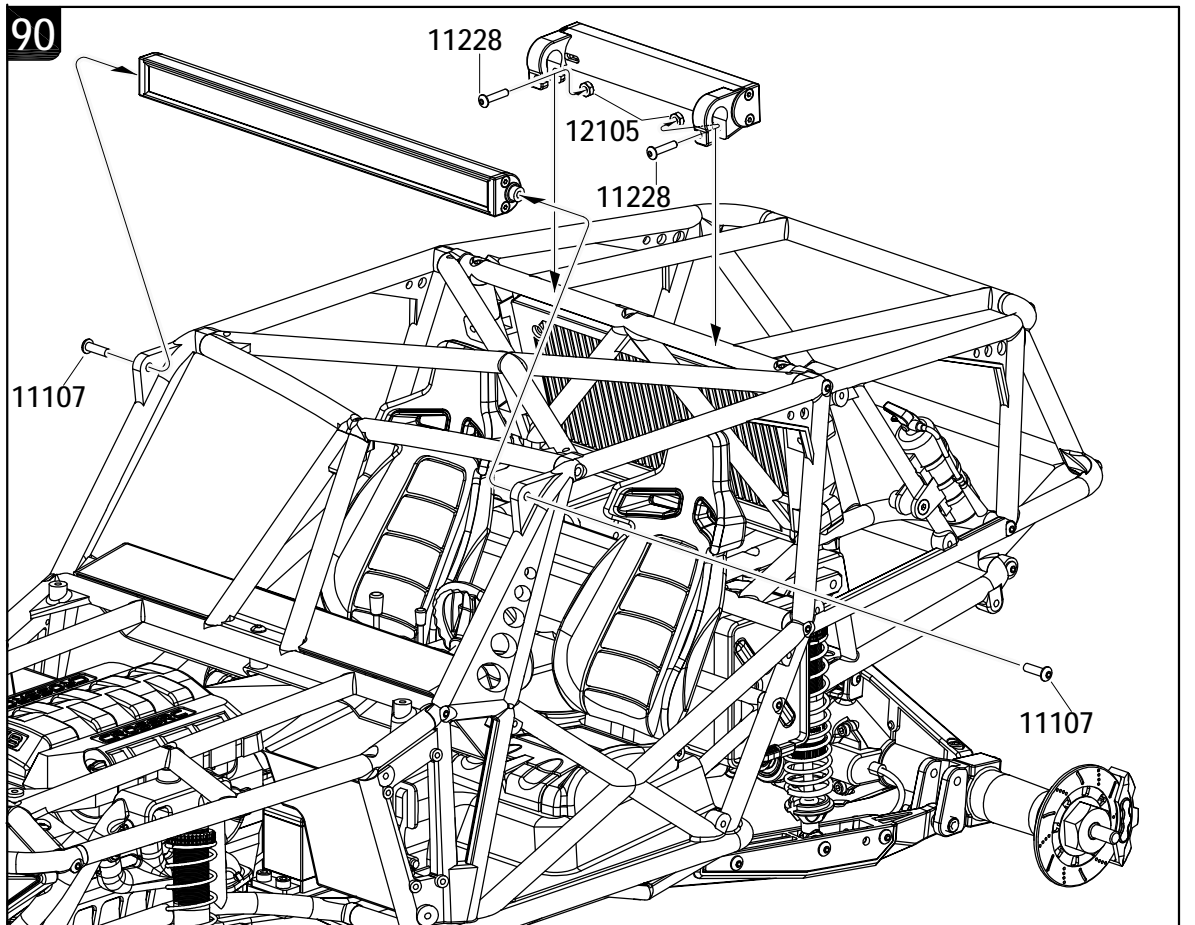


90

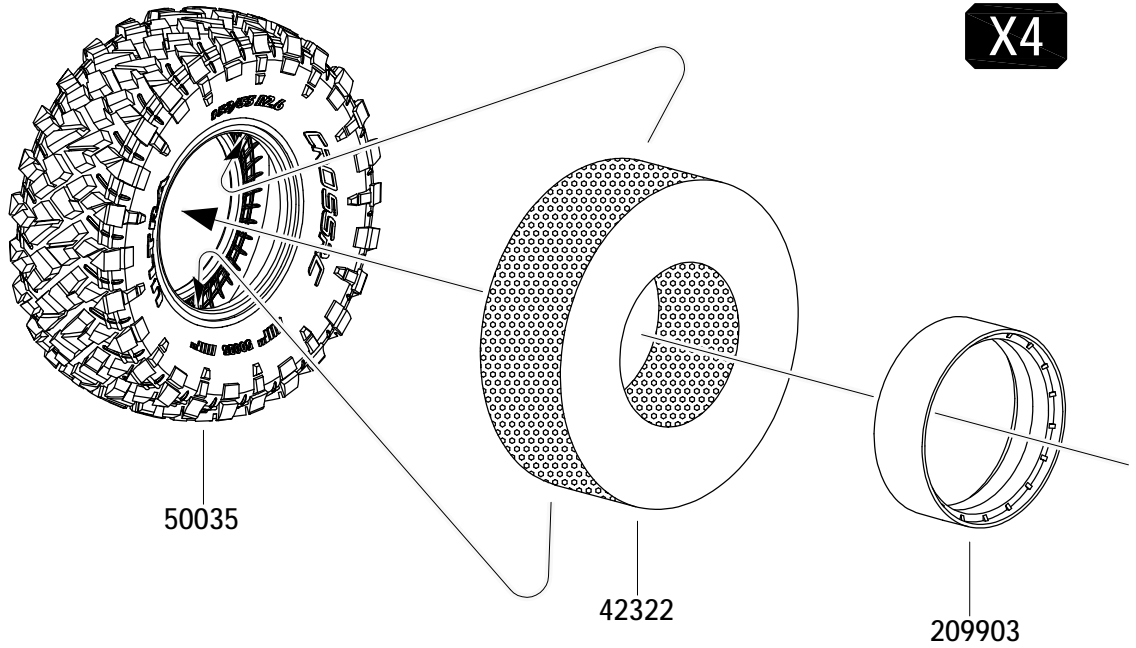
11228 
M2.5x12 X2


11107 
M3x10 X2


12105 
M2.5 X2




91




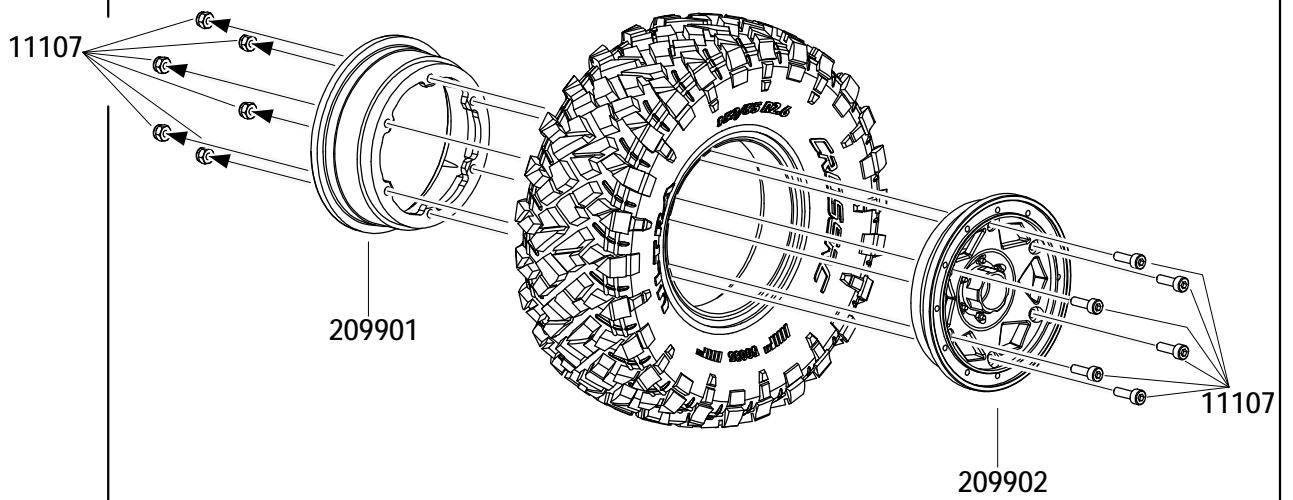
12203 
M3 X24

11107 
M3x10 X24

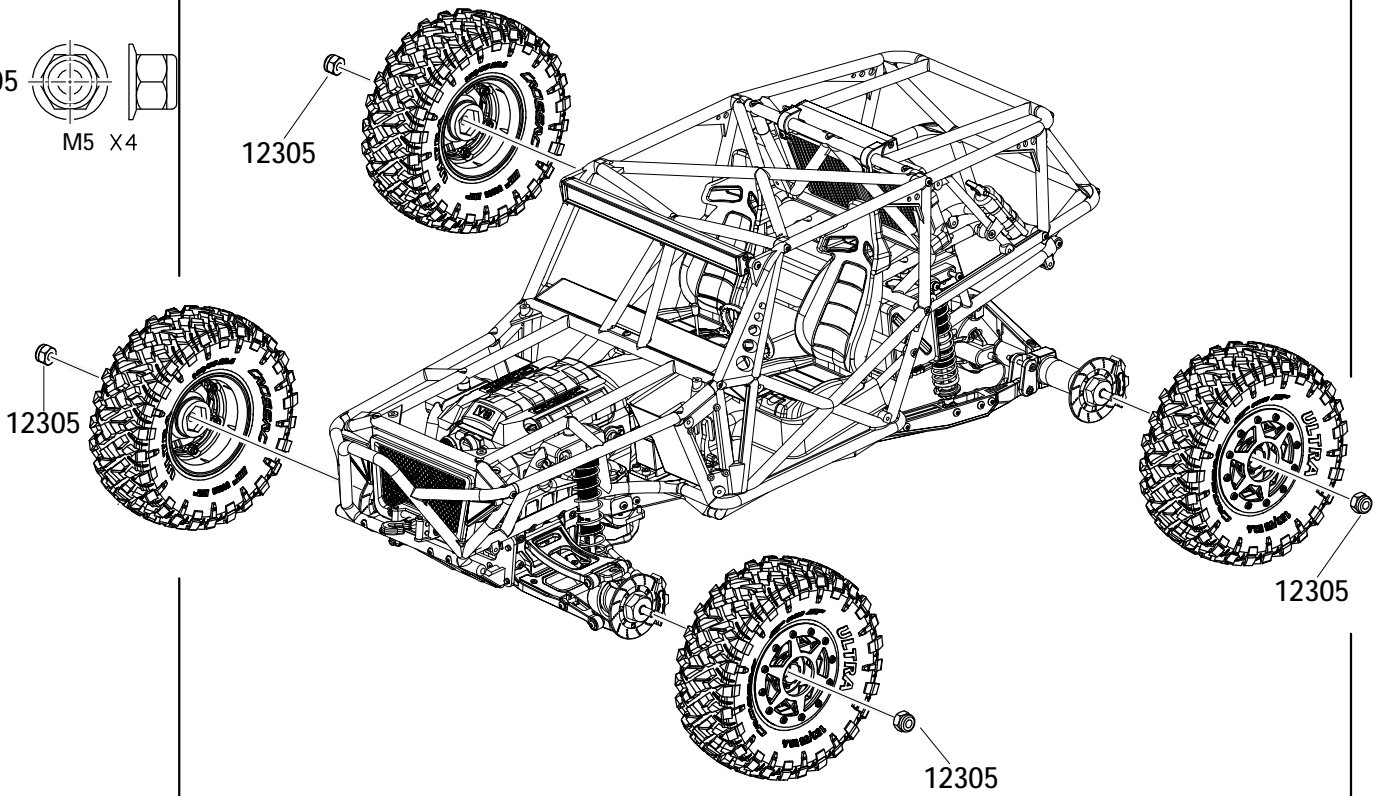
92

12103 
M3 X2

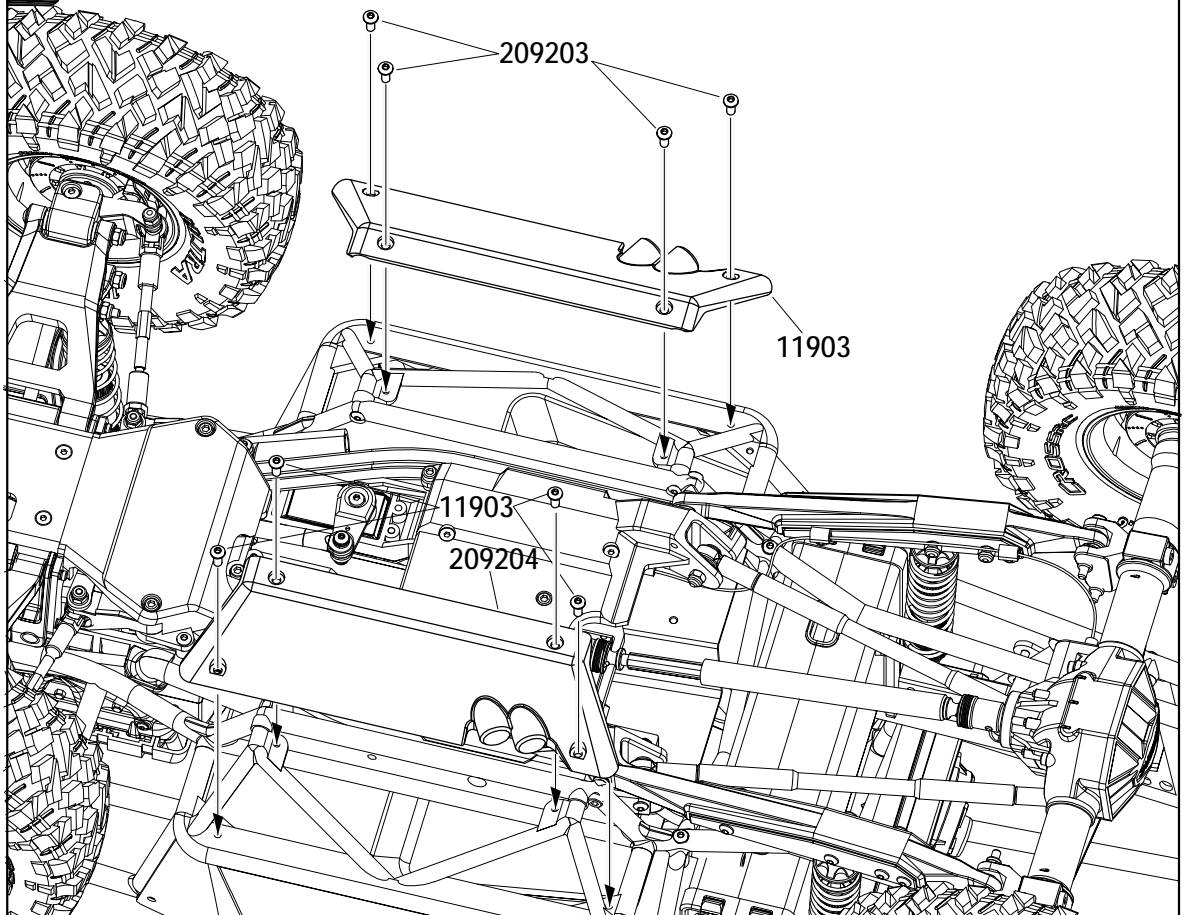
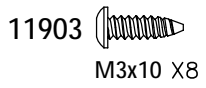
11112 
M3x20 X2



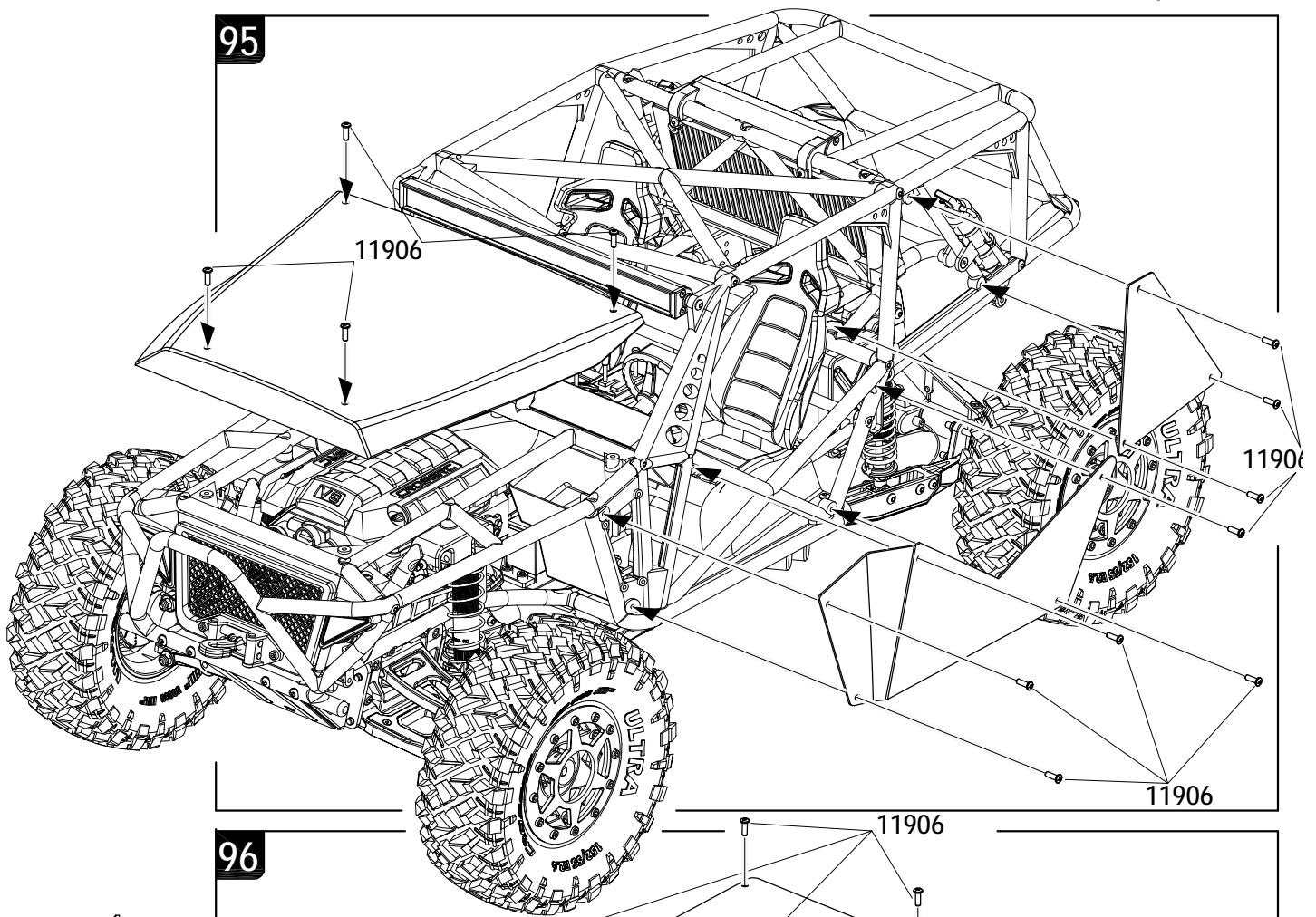
93




94

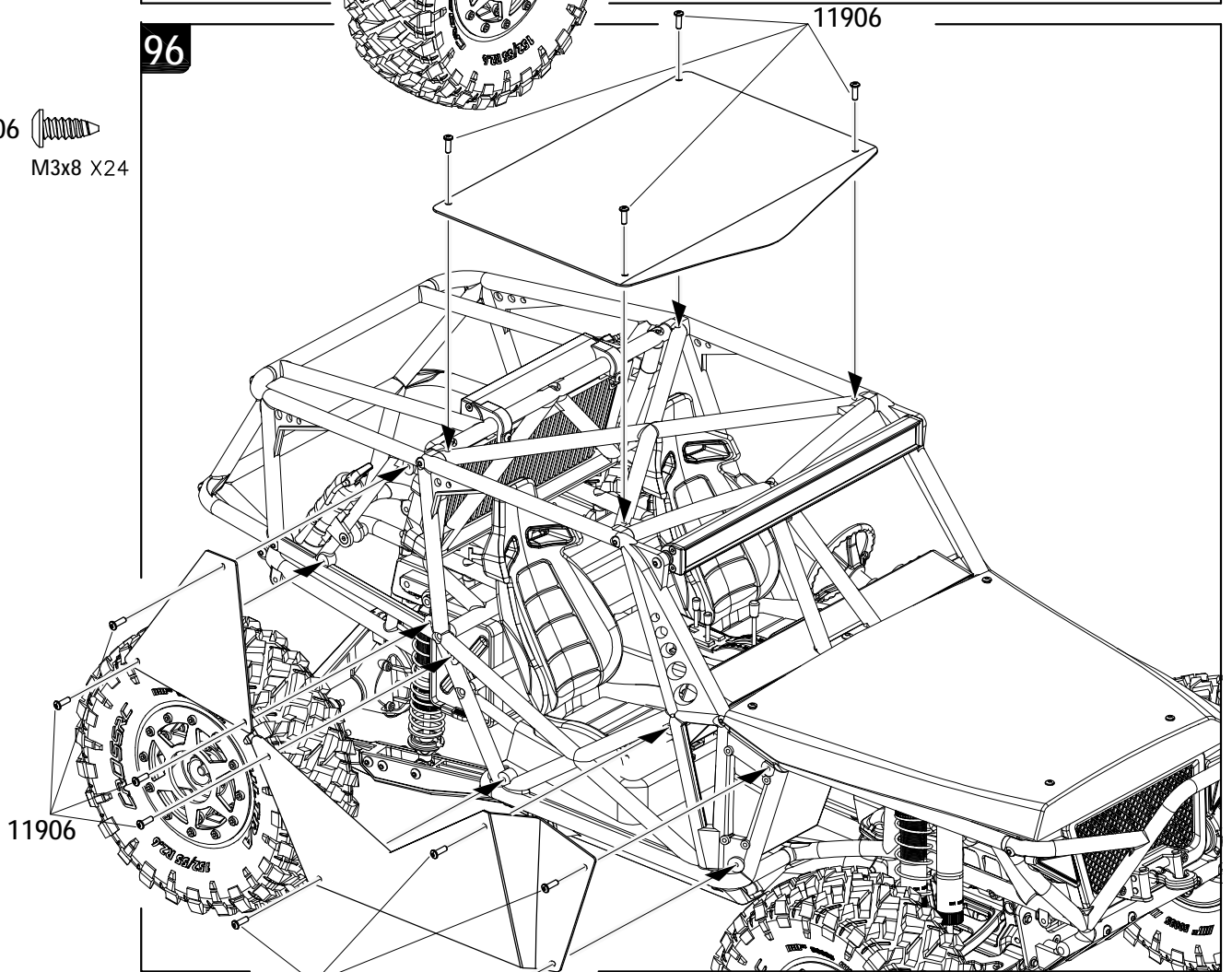


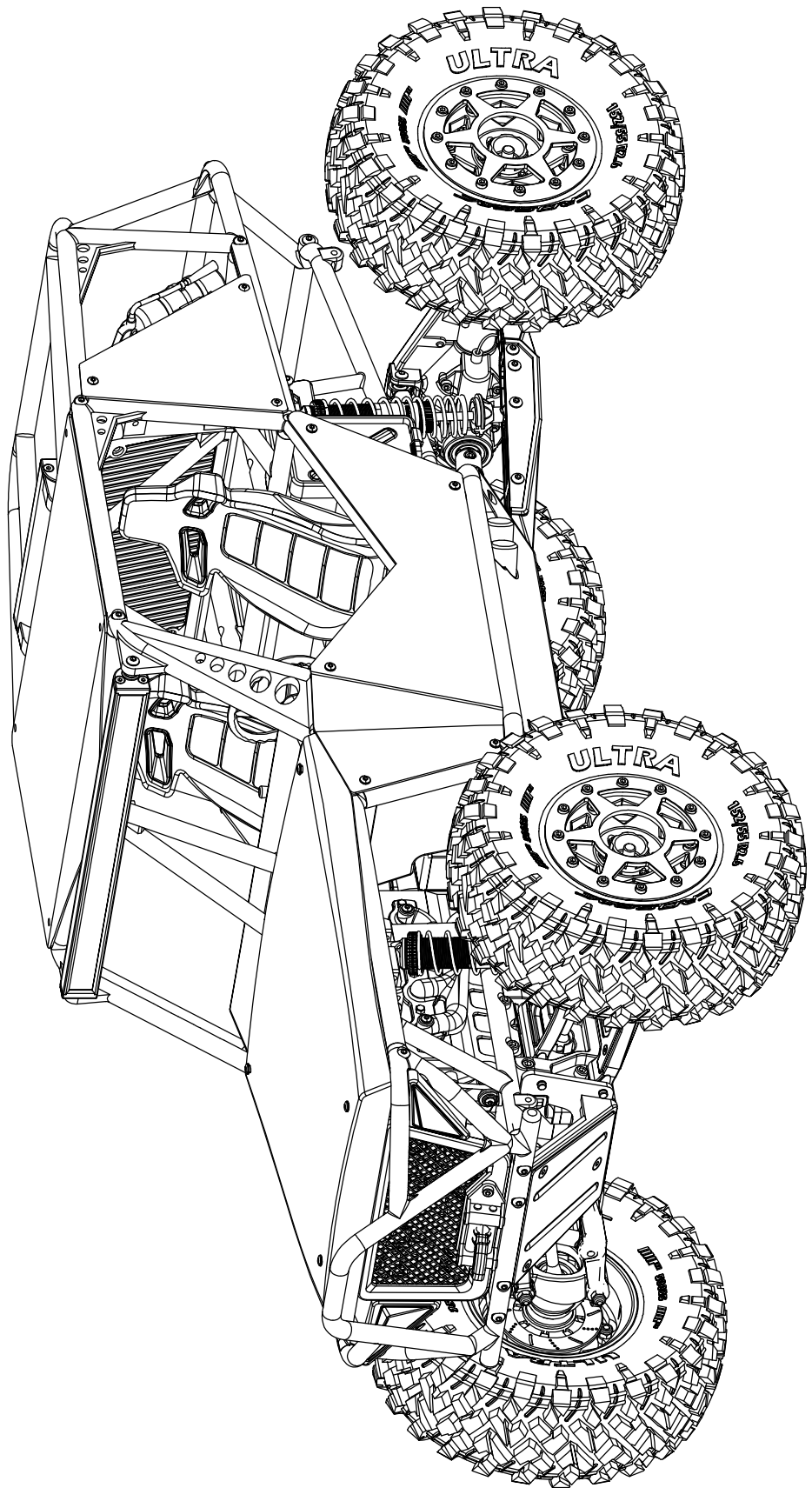
95

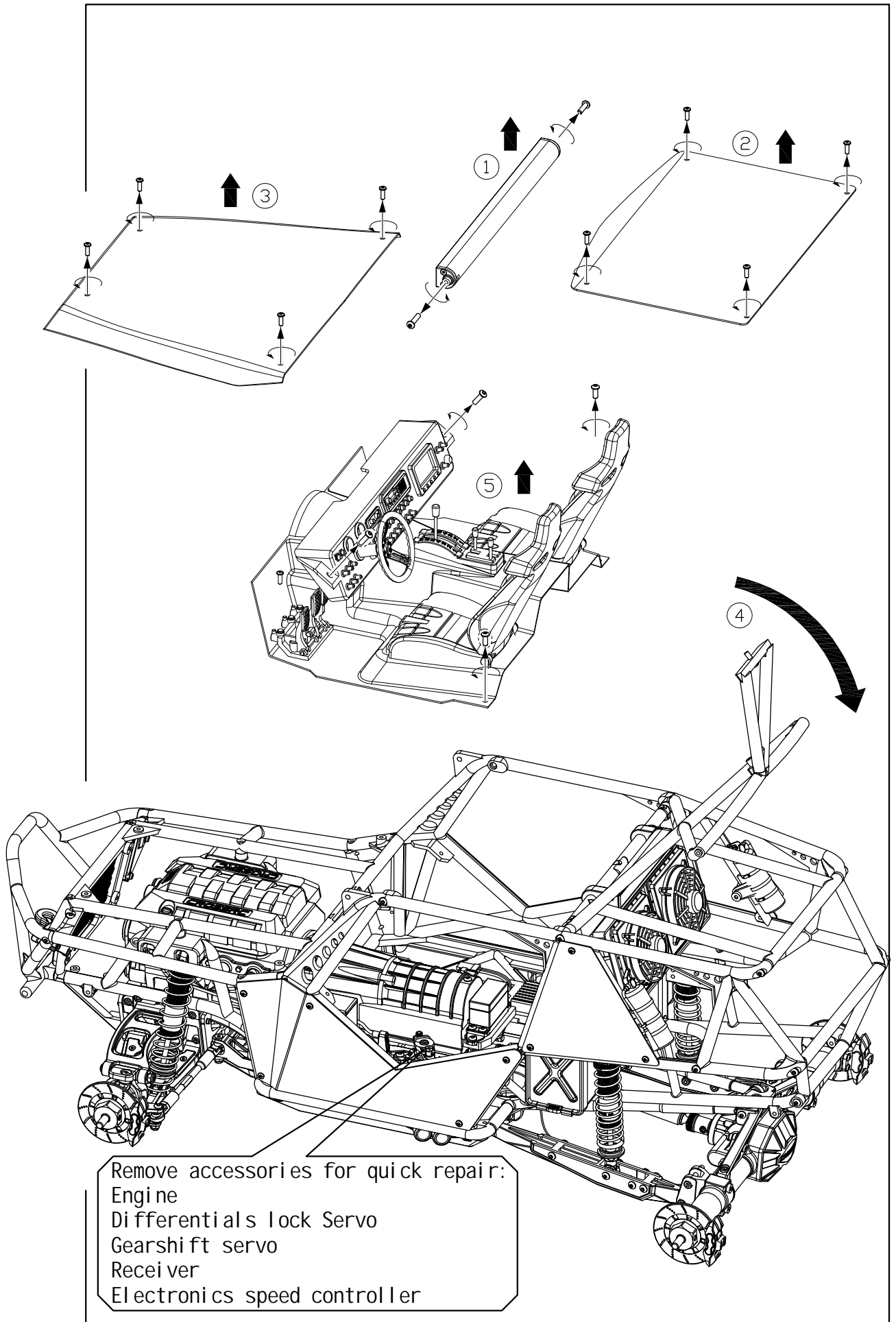


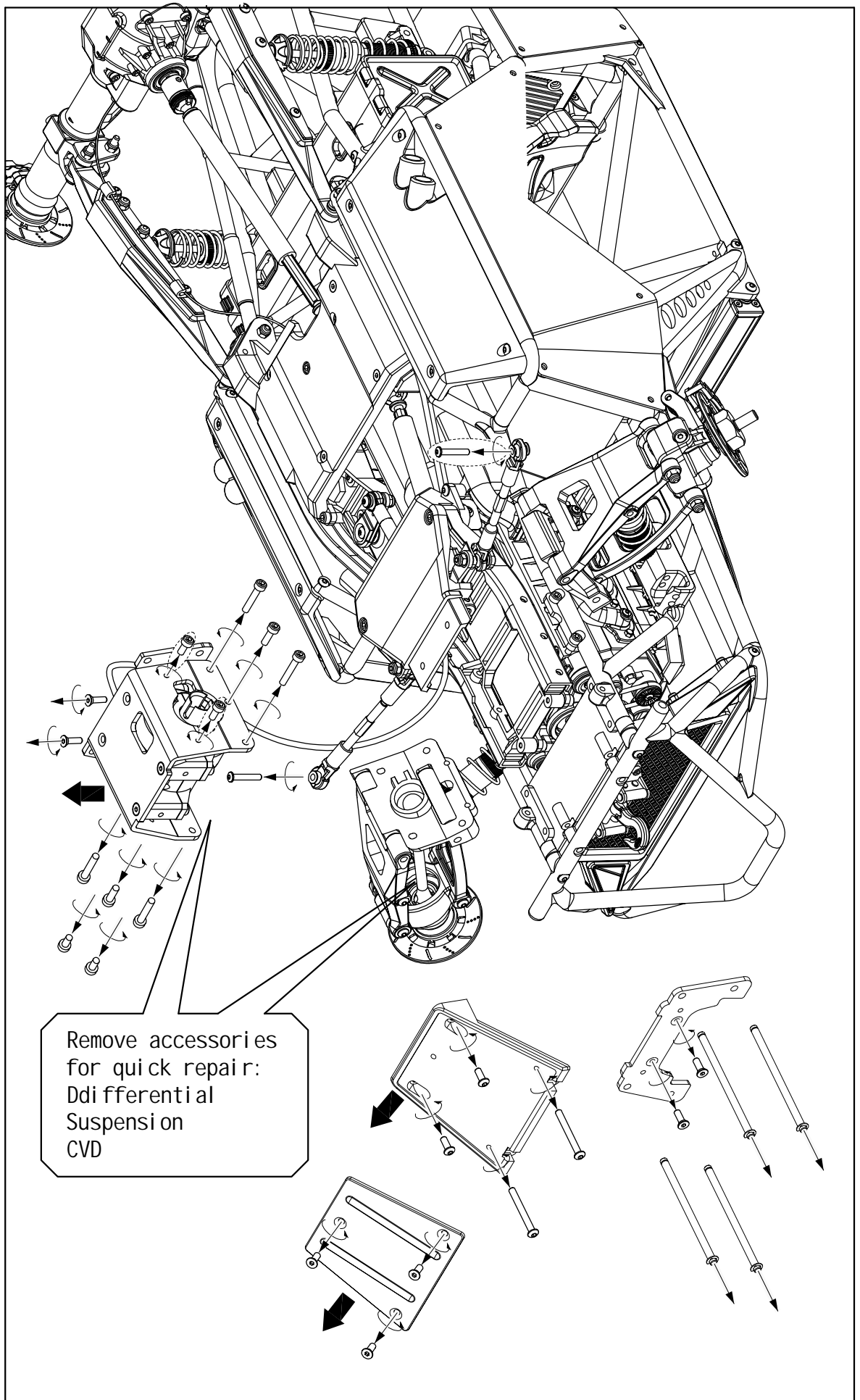
96

11906 
M3x8 X24









Remove accessories for quick repair:
Differential
Suspension
CVD

Remove accessories for quick repair:
Rear differential

