

HCG6

**1/12 SCALE 6X6
OFF ROAD TRUCK R/C MODEL**

PREMIUM
Quality
GUARANTEED

WWW.CROSS-RC.COM



USER'S MANUAL

CAUTIONS



To prevent serious personal injury and/or property damage, operate all remotely controlled models in a responsible manner as outlined herein.

● Safety Precautions

- 1.1 Choose a right place to operate your RC model.
- 1.2 Do not operate your RC model on the street or highway. It can cause a serious damage or a serious accident.
- 1.3 Never operate your RC model near people or animals.
- 1.4 Do not operate RC model in public places like hospital and residential areas.
- 1.5 Never operate RC model indoors. There is a higher possibility of fire or damage.
- 1.6 Keep the parts out of reach of children, small parts can cause choking and vinyl bags can suffocate.
- 1.7 Do not use with children younger than 14 years.

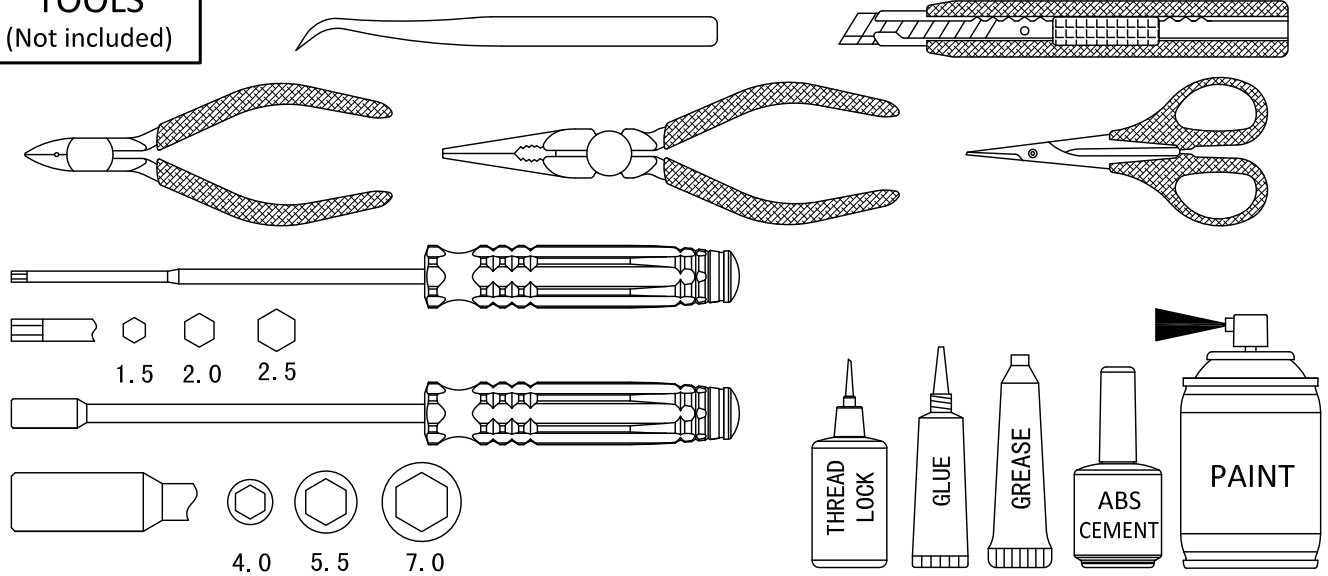
● Inspect your RC model before operation

- 2.1 Make sure that all screws and nuts are properly tightened. It is also a good idea to use removable thread lock wherever metal screws go into metal, especially for engine mounts and the engine pilot shaft.
- 2.2 Always use fresh batteries for your transmitter and for your receiver to avoid losing control of the model.
- 2.3 Always test the brakes and throttle before starting your engine to avoid losing control of the model.
- 2.4 Always turn on the transmitter first, and then turn on the receiver.

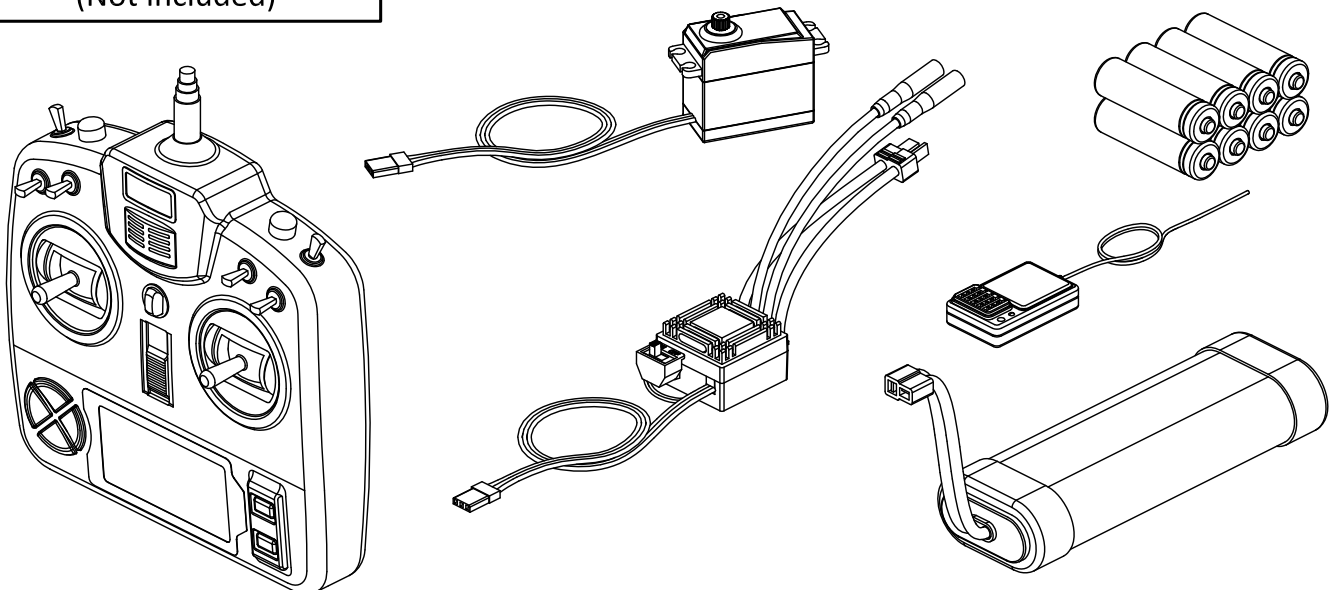
● After operation of your RC model

- 3.1 Turn off receiver first, then turn off transmitter, this will prevent runaways.
- 3.2 Be careful when handling batteries, they will be hot after running.
- 3.3 Replace any batteries that have been dented or have frayed wires, short circuits can cause fire.

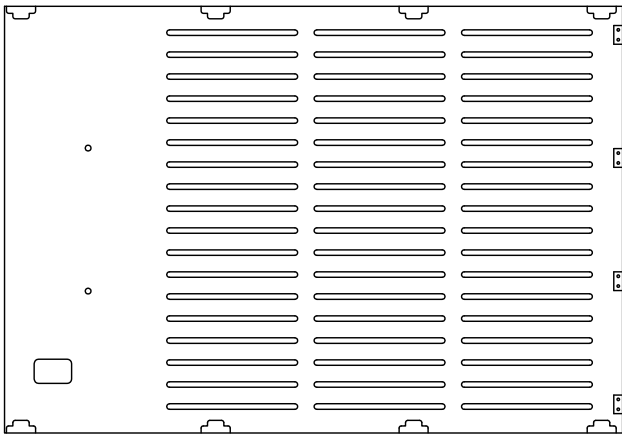
TOOLS
(Not included)



Electronic equipment
(Not included)



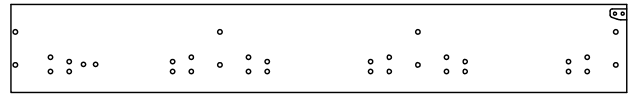
PLANK



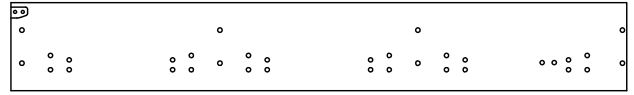
63301 X1



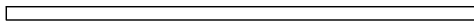
63302 X1



63303 X1



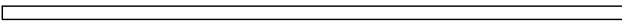
63304 X1



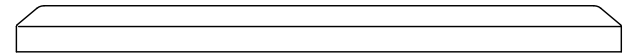
63305 X1



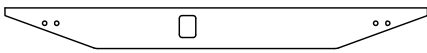
63306 X2



63307 X2



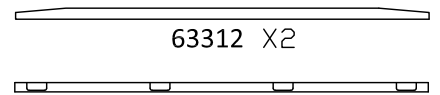
63308 X2



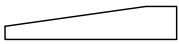
63309 X1



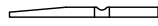
63311 X1



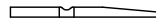
63312 X2



63310 X6



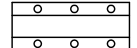
63314 X1



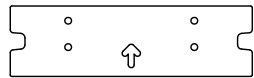
63315 X1



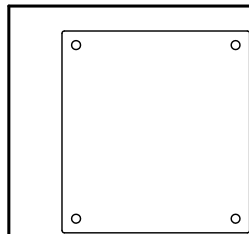
63316 X2



22107 X8



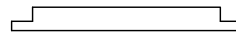
62817 X1



62819 X1



62820 X1



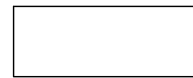
62821 X2



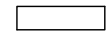
62823 X2



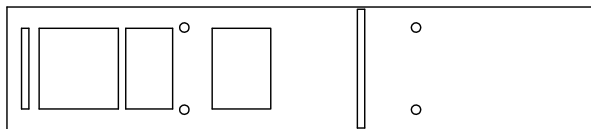
62818 X1



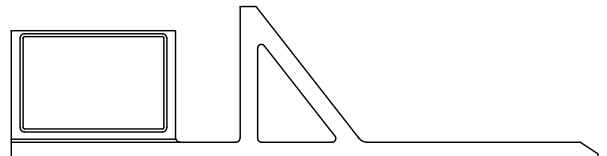
62822 X2



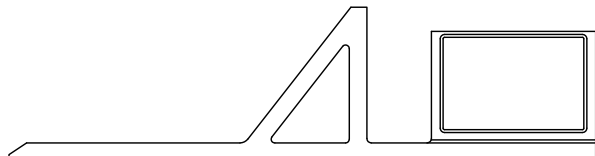
62824 X4



63401 X1



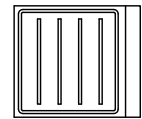
63402 X1



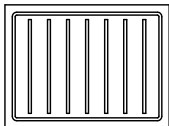
63403 X1



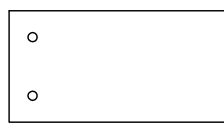
63404 X1



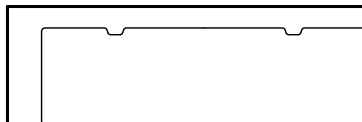
63405 X1



63406 X1



63407 X1

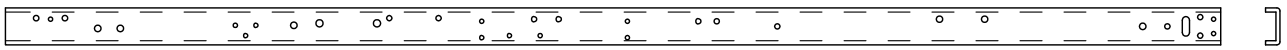


62825 X1

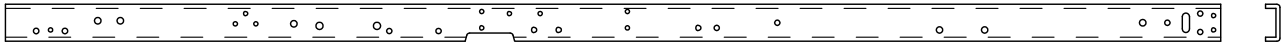


62826 X1

FRAMES





43401 X1



43402 X1

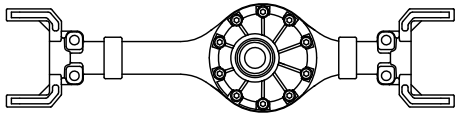
AXLES

11104  M2x10 X8

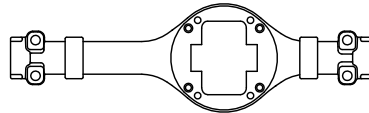
11126  M2x14 X12

11207  M3x10 X4


13004  | $\phi 2 \times \phi 5.5 \times 0.4$ X4

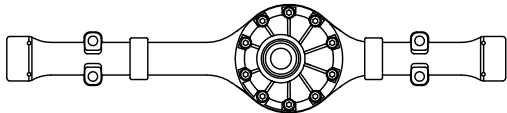


32401 X1

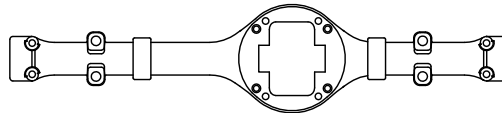


32402 X1


13002  | $\phi 3.8 \times \phi 9.2 \times 0.6$ X6

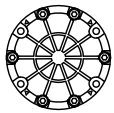


32501 X2

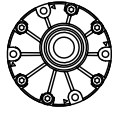


32502 X2

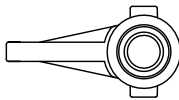
15003  | $\phi 5 \times \phi 10 \times 4$ X16



32601 X2



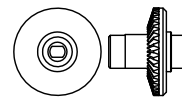
31202 X1




32602 X2



32101 X4

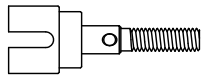


32102 X3

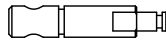
15004  | $\phi 10 \times \phi 15 \times 4$ X8



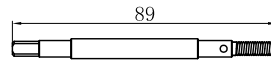
41205 X4




41208 X2

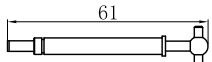


41246 X4

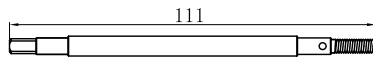


41247 X2

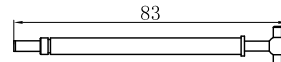
72007  | $\phi 5 \times \phi 8 \times 0.3$ X6




41248 X1




41249 X2





41250 X1


72008  | $\phi 10.2 \times \phi 15 \times 0.2$ X6

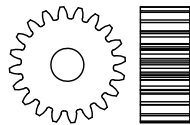
TRANSFER BOX

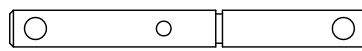
13002  | $\phi 3.8 \times \phi 9.2 \times 0.6$ X3

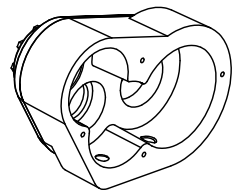
72007  | $\phi 5 \times \phi 8 \times 0.3$ X2

11103  M2x8 X4


15003  | $\phi 5 \times \phi 10 \times 4$ X6

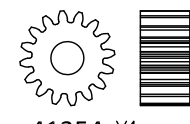
41253 X1 

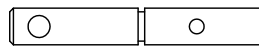
41256 X1 




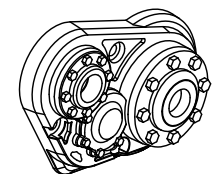
31301 X1

15006  | $\phi 5 \times \phi 11 \times 4$ X2


41254 X1 

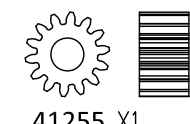
41257 X1 


41258 X1 




31302 X1


72003  | $\phi 5 \times \phi 8 \times 0.5$ X1

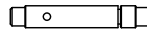
41255 X1 

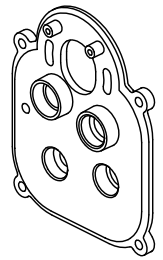
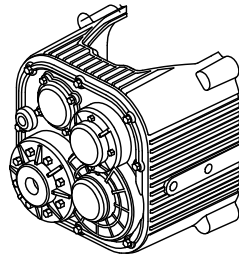
41259 X3 

TRANSMISSION GEAR BOX


11401  M3x4 X1

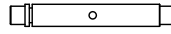
13003  | $\phi 2.5 \times \phi 6 \times 0.4$ X2

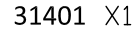
41289 X1 

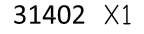


11102  M2x6 X2


13002  | $\phi 3.8 \times \phi 9.2 \times 0.6$ X6

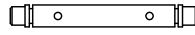
41290 X1 

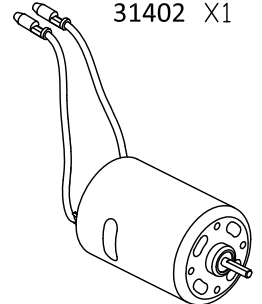
31401 X1 


31402 X1 


11106  M3x8 X2


15003  | $\phi 5 \times \phi 10 \times 4$ X12

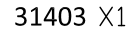
41291 X1 




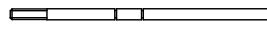
11219  M3x4 X3

72003  | $\phi 5 \times \phi 8 \times 0.5$ X2

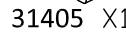
41263 X1 

31403 X1 


11207  M3x10 X4


41129 X1 

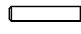



31405 X1 

45T X1 

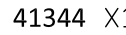
14102  | $\phi 3 \times \phi 7 \times 0.5$ X2


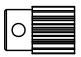
72007  | $\phi 5 \times \phi 8 \times 0.3$ X2

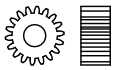
41209 X4 

41307 X1 

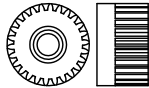


41344 X1 

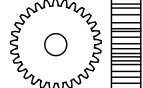
41304(18T) X1  



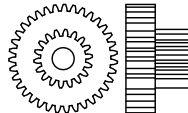
41338 X1



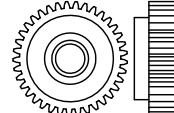
41339 X1



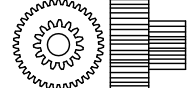
41340 X1




41341 X1





41342 X1




41343 X1


11209  M3x14 X1

11211  M3x18 X1

12203  | M3 X2

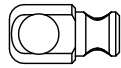
12303  | M3 X1

23502 X2 

41336 X1 



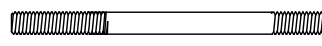
41104 X1



41144 X1



41145 X1

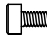


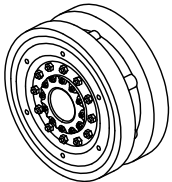
41146 X1



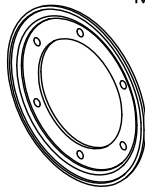
41324 X2

WHEELS AND TIRES

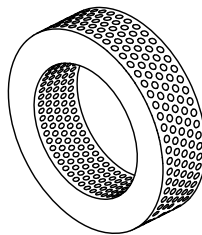
11102  M2x6 X12



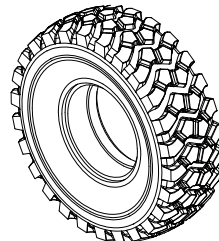
20001 X1



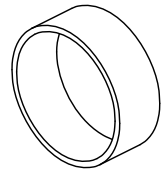
71031 X2



42303 X7





50009 X7



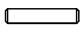
41348 X6


12105  | M2.5 X36

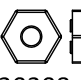
11119  M2.5x16 X2

50012 X6 


12204  | M4 X6

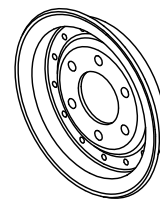
41209 X6 

11125  M2.5x10 X36

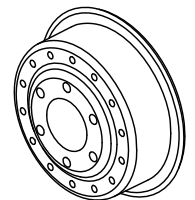
30308 X6 

32201 X6 

32202 X6 

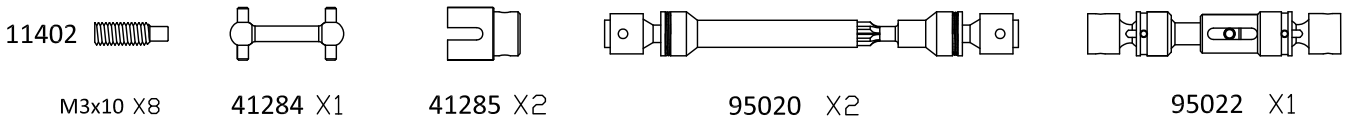


71071 X6

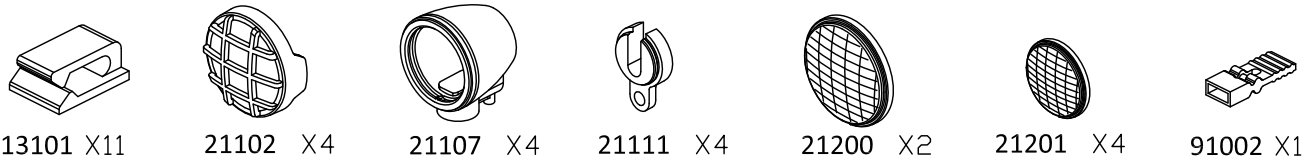
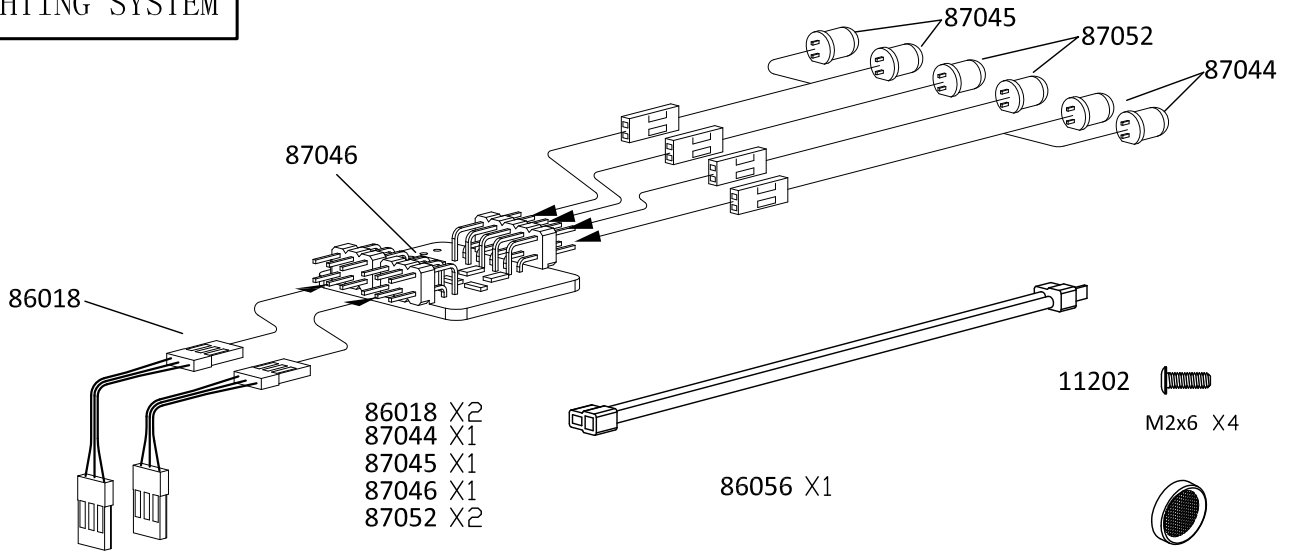


71072 X6

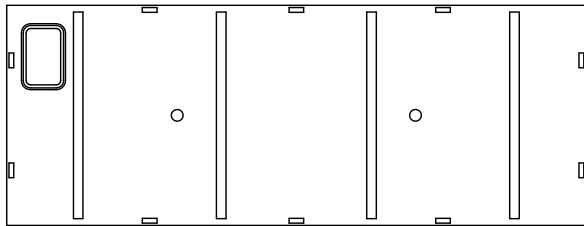
DRIVE SHAFTS



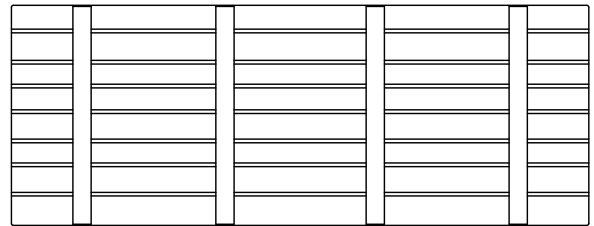
LIGHTING SYSTEM



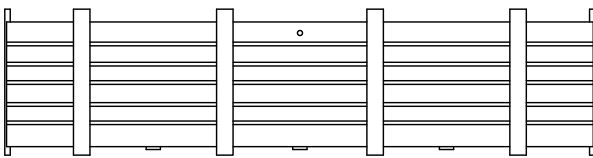
THE BATTERY BOX



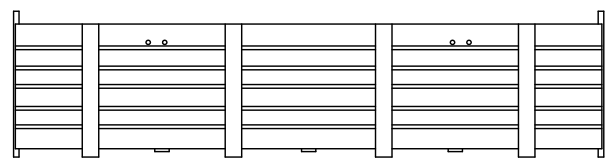
28801 X1



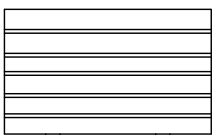
28802 X1



28804 X1



28805 X1



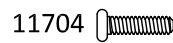
28803 X2



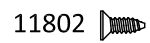
72019 X1



94013 X2

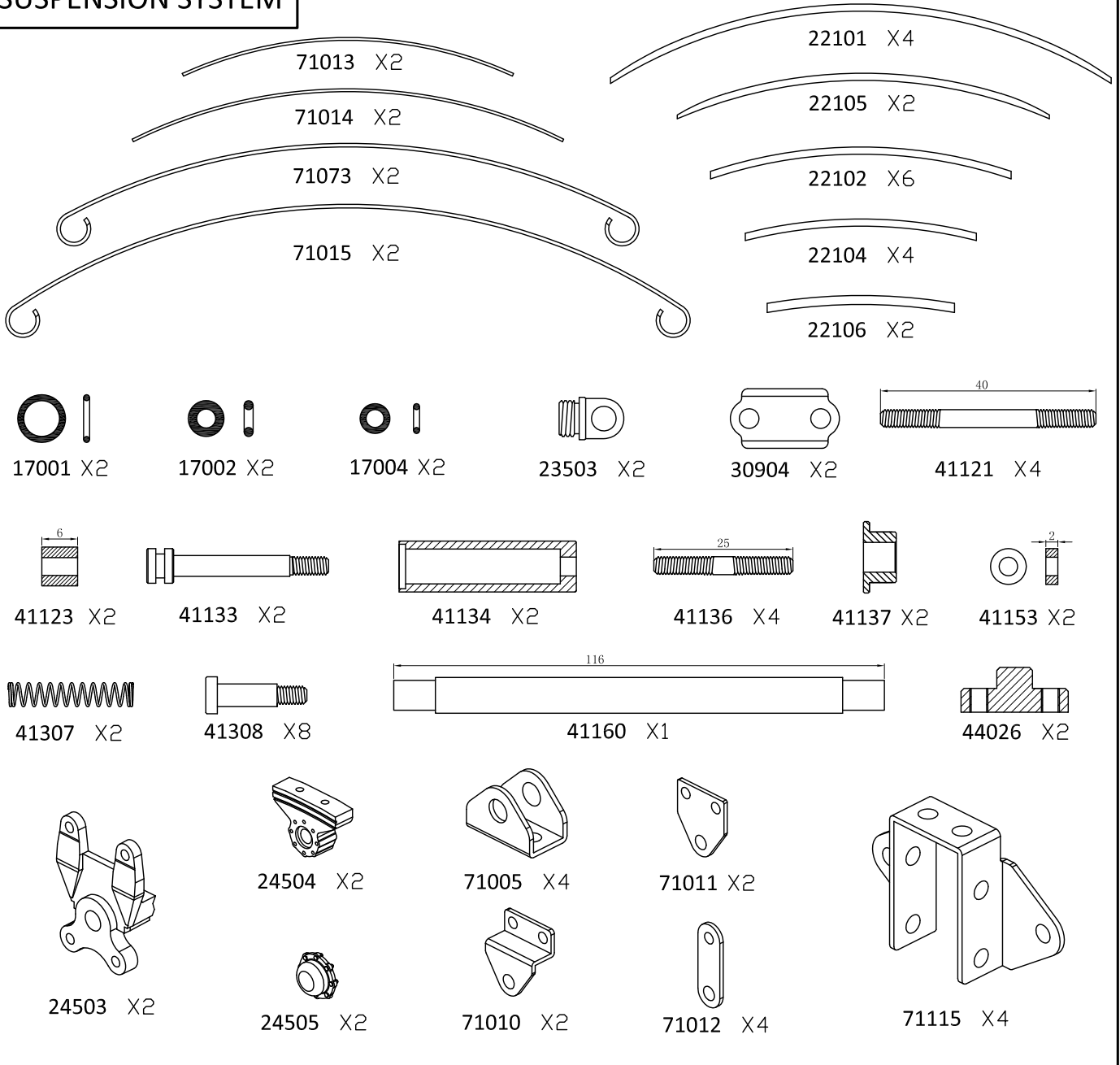


11704 M1.6x6 X2

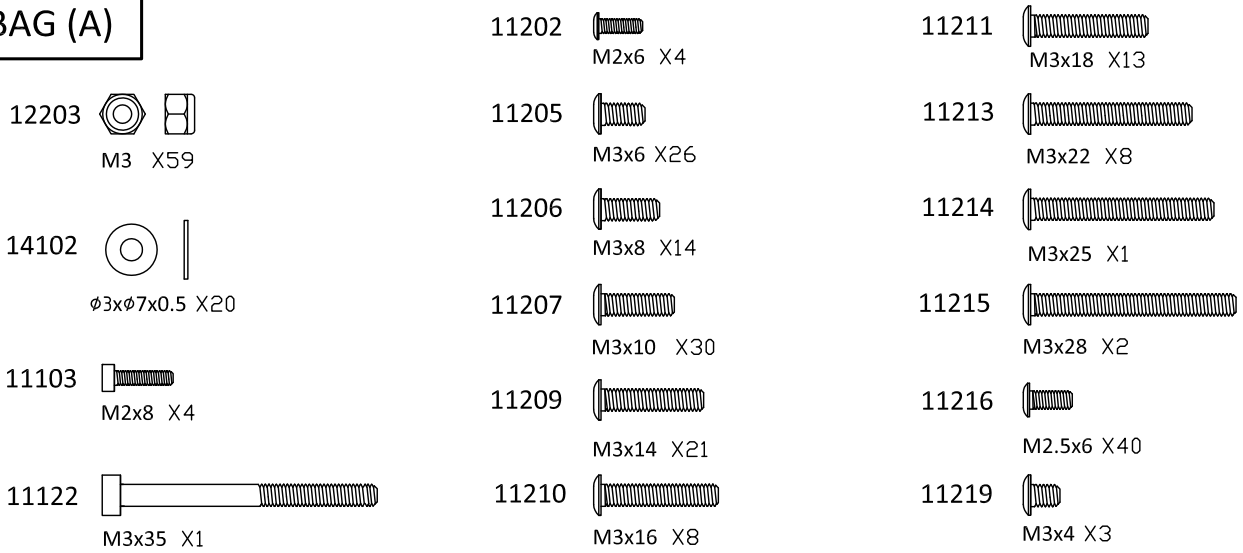


11802 ST1.4x4 X8

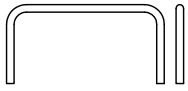
SUSPENSION SYSTEM



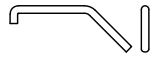
BAG (A)



BAG (B)



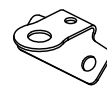
71059 X2



71060 X2



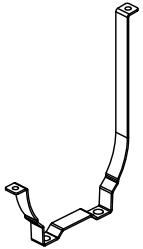
71086 X2



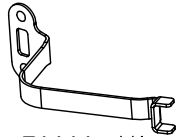
71087 X2



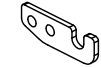
71089 X2



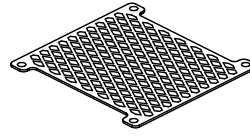
71112 X2



71111 X1



72016 X2



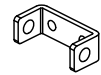
72025 X1



73036 X2



94013 X4



72017 X2

11706

M1.2x3 X2



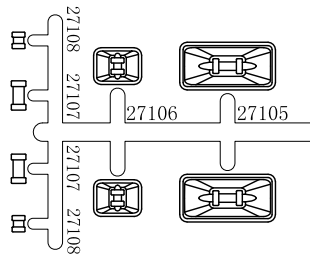
73037 X2



24701 X1



24705 X1



11801

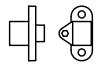
ST1.4x6 X12

11219

M3x4 X4

11802

ST1.4x4 X20



24704 X4



24706 X4

11901

ST2x6 X14

12108

M1.2 X2

BAG (C)

11202

M2x6 X8



21804 X2



30104 X1



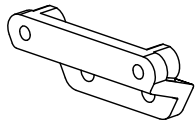
30113 X2



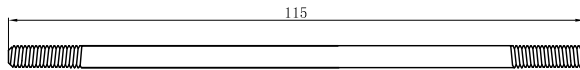
30402 X2



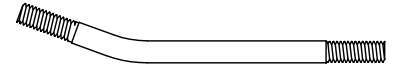
30411 X2



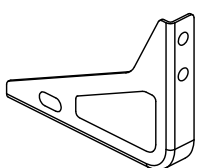
32203 X2



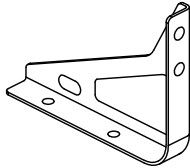
41102 X1



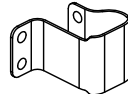
41152 X1



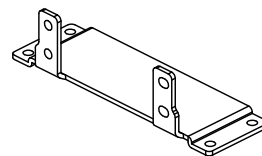
71065 X2



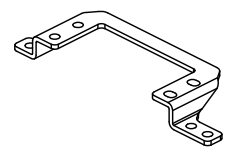
71066 X2



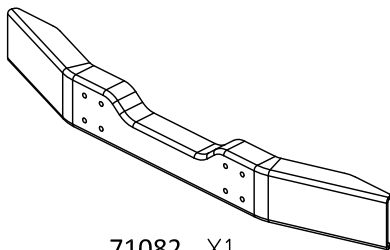
71067 X2



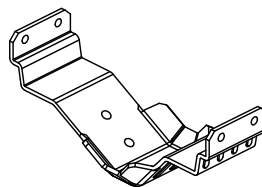
71068 X1



71069 X1



71082 X1



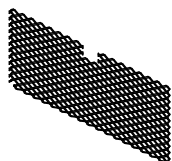
71083 X1



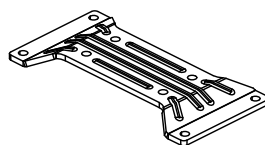
71084 X1



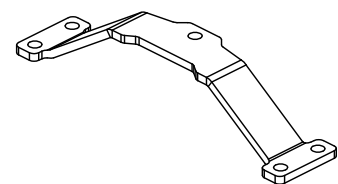
71085 X1



71088 X1

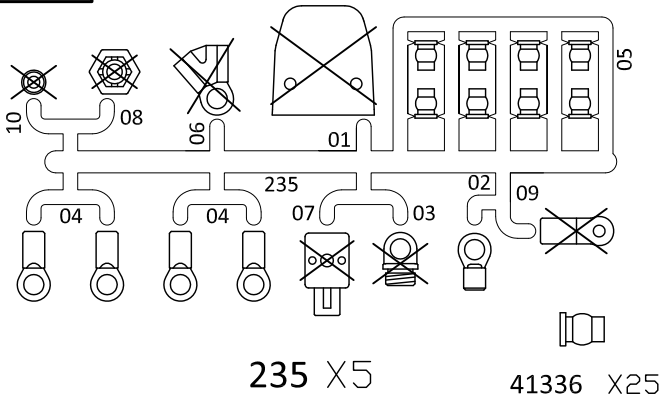


71113 X1

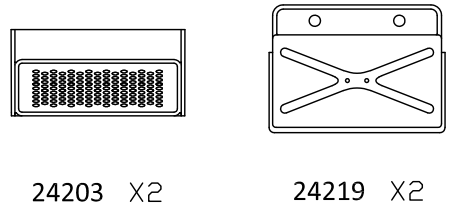


71114 X2

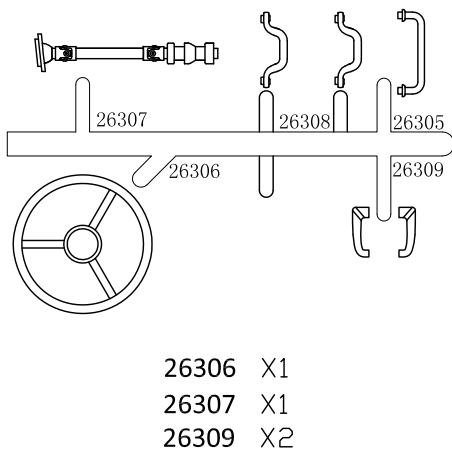
No.235



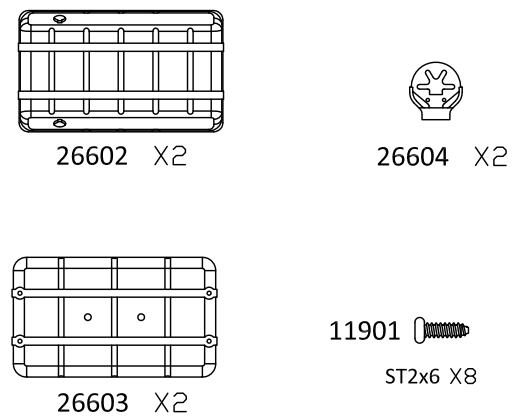
No.242



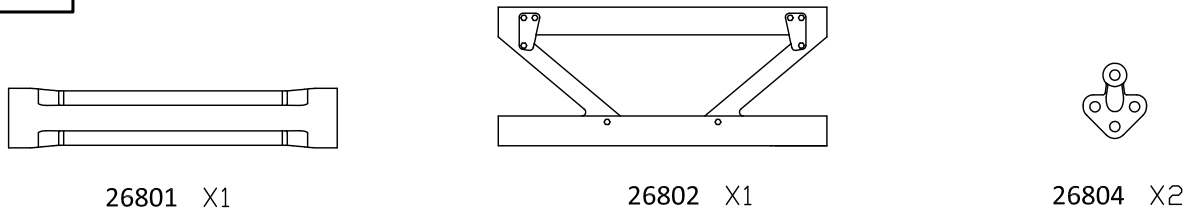
No.263



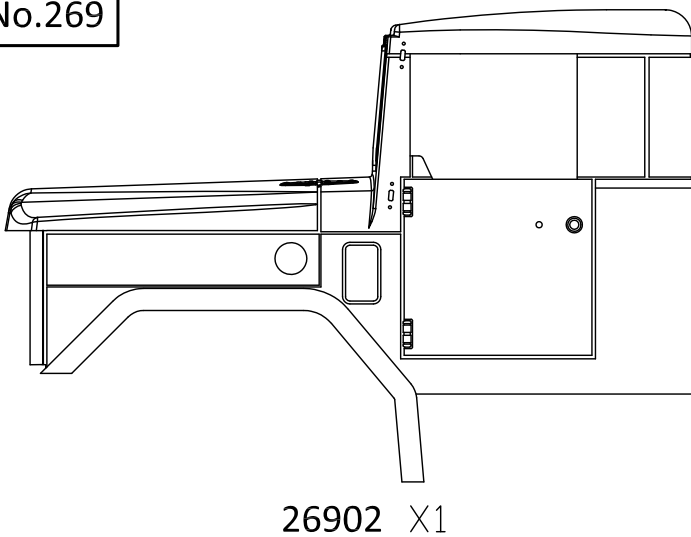
No.266



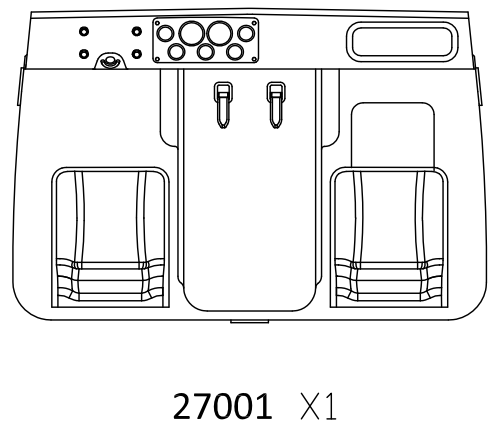
No.268



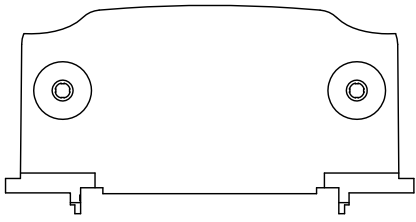
No.269



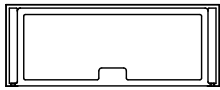
No.270



No.272



27201 X1



27202 X1

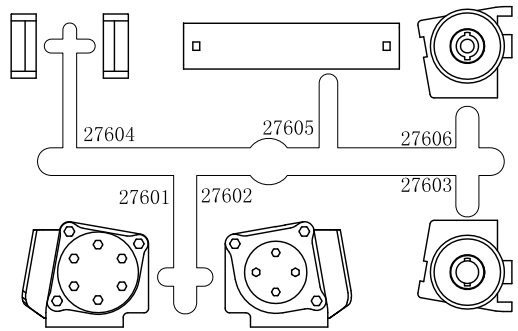


27203 X1



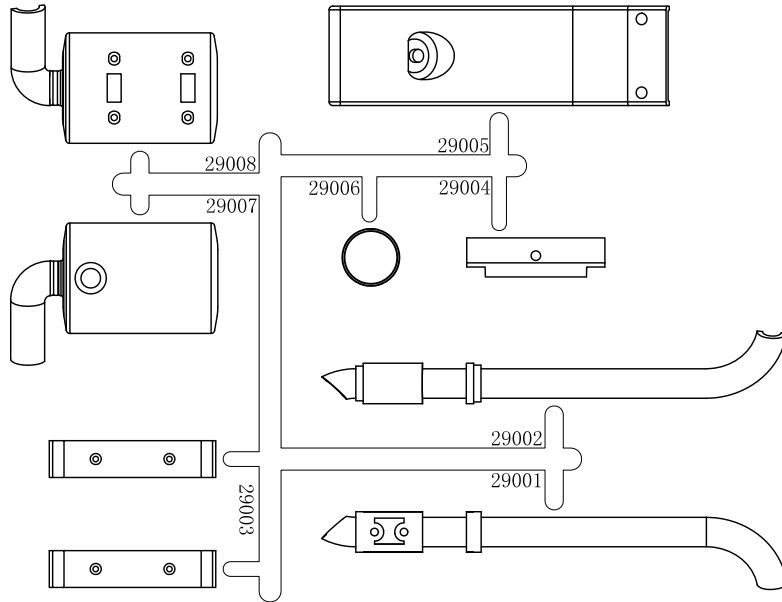
27204 X1

No.276



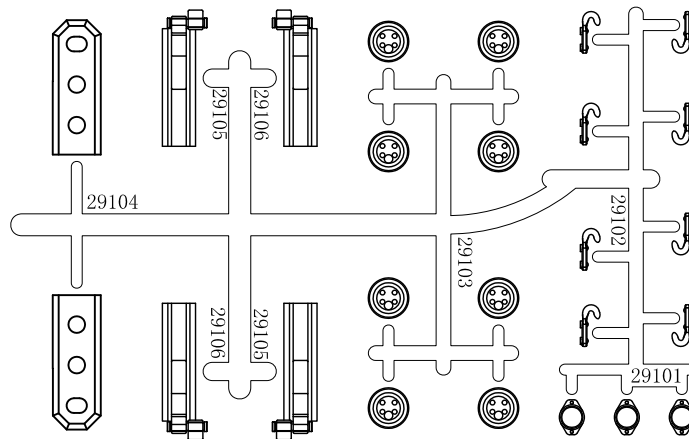
276 X1

No.290

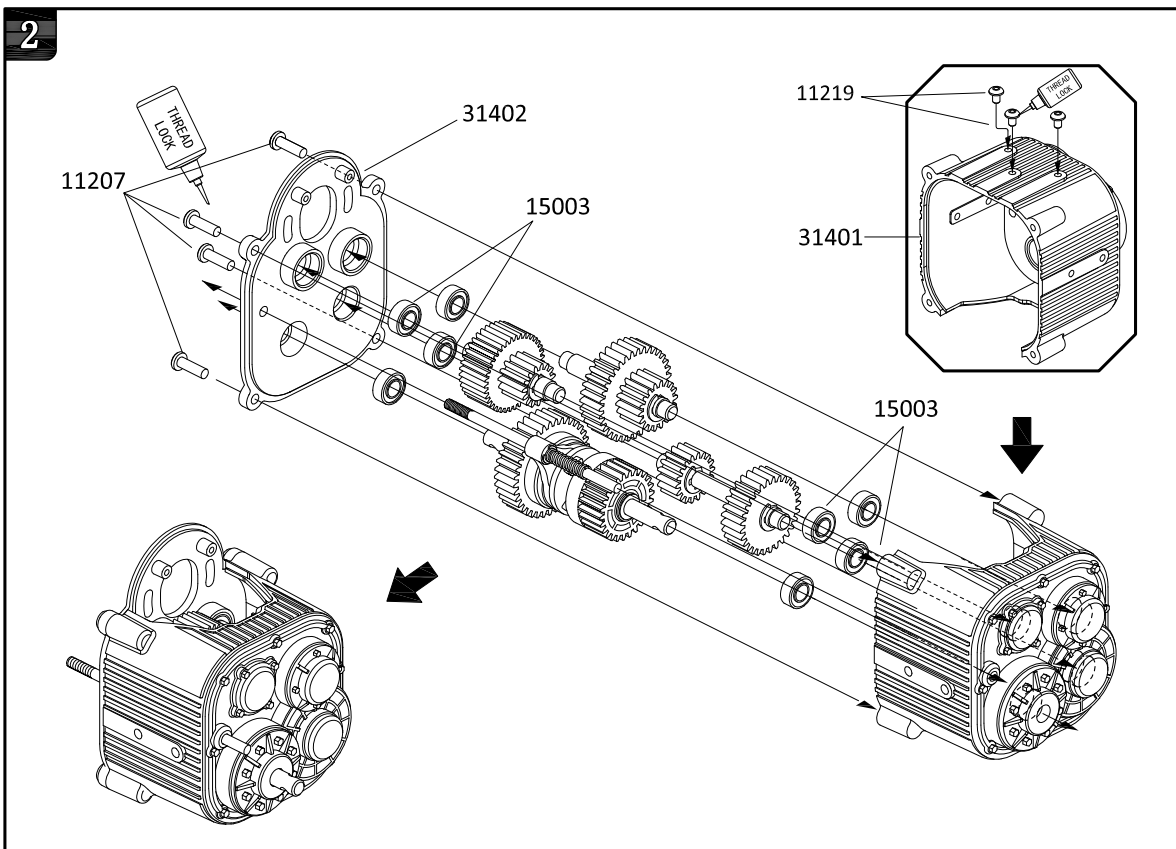
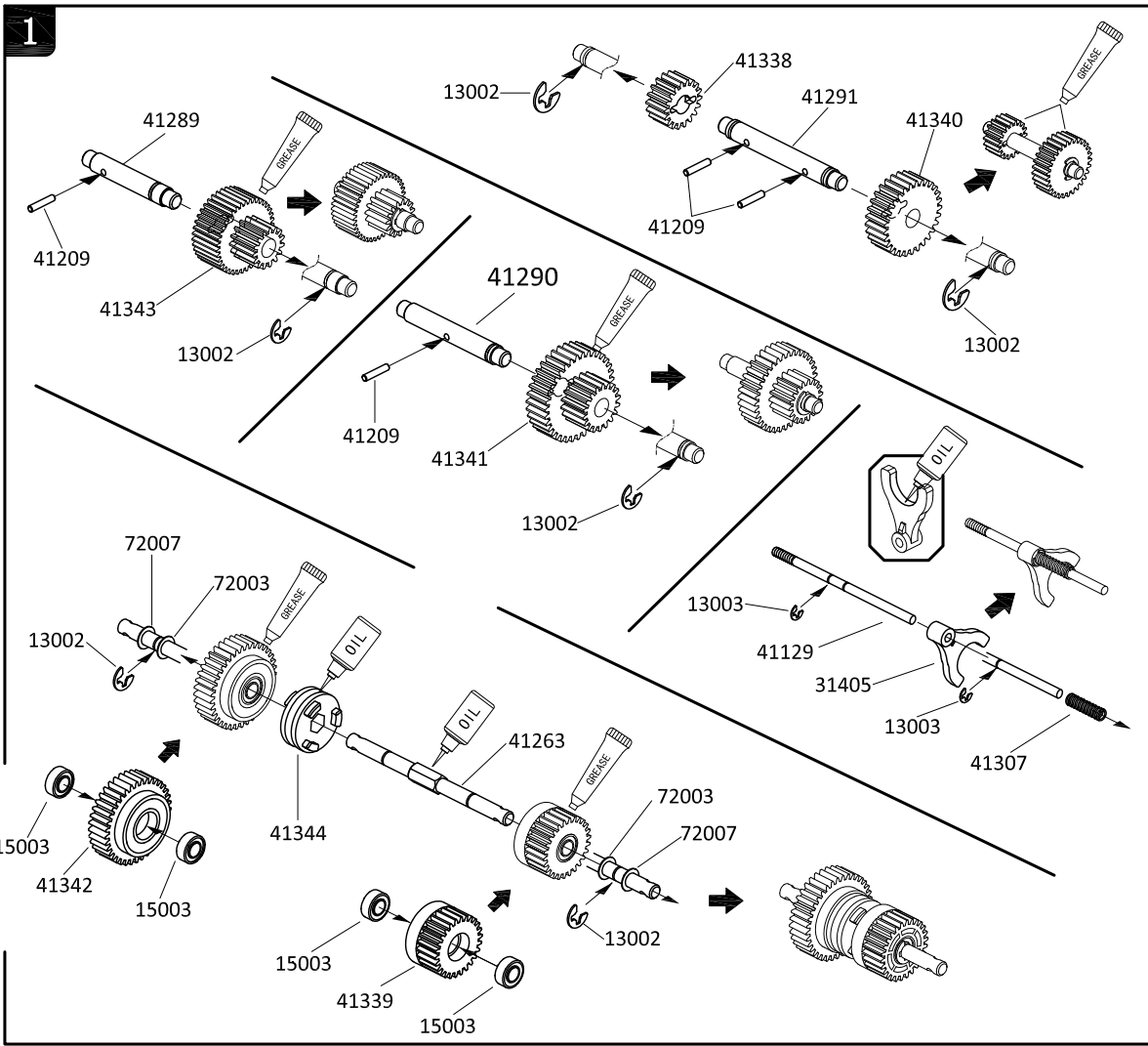


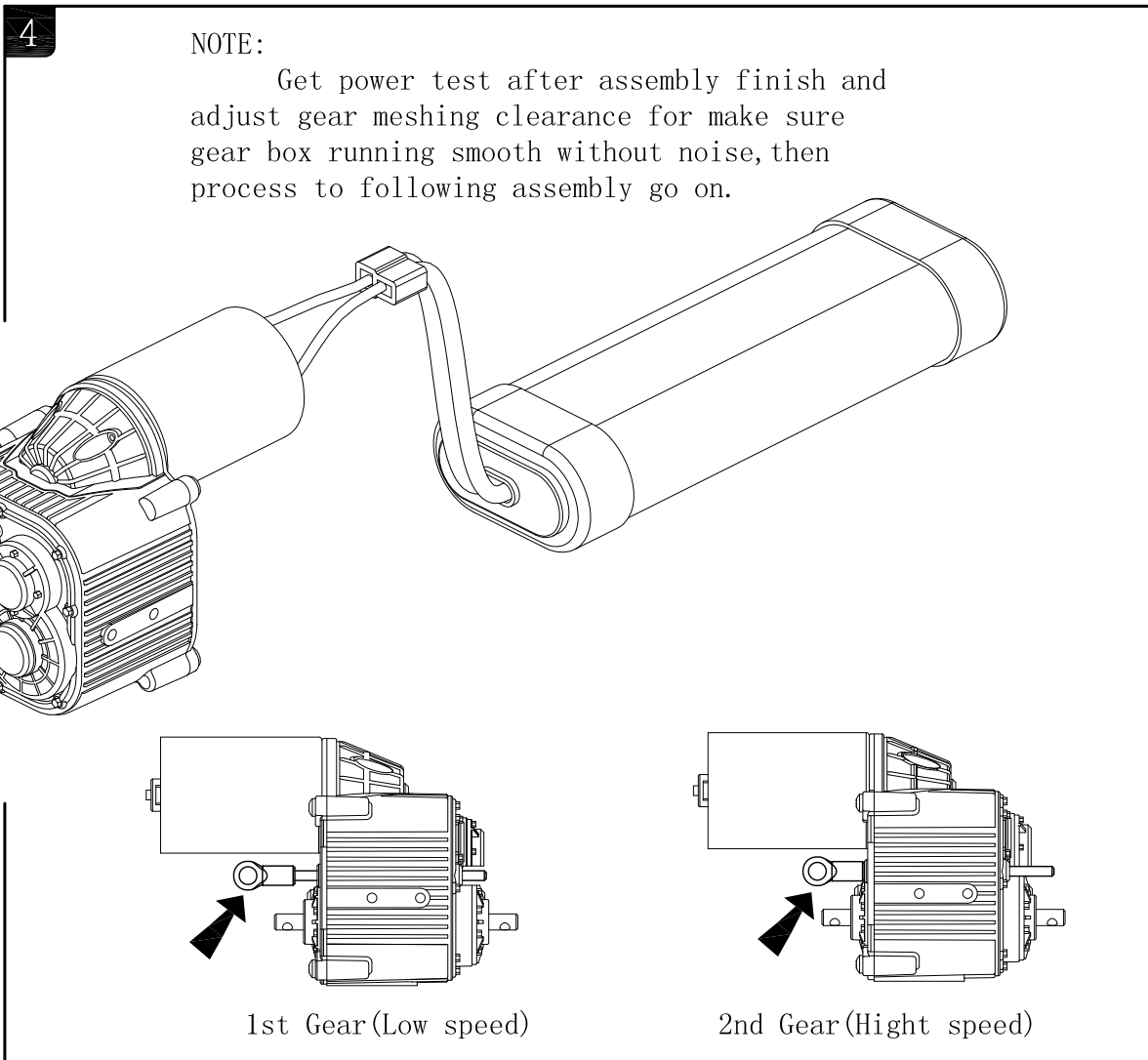
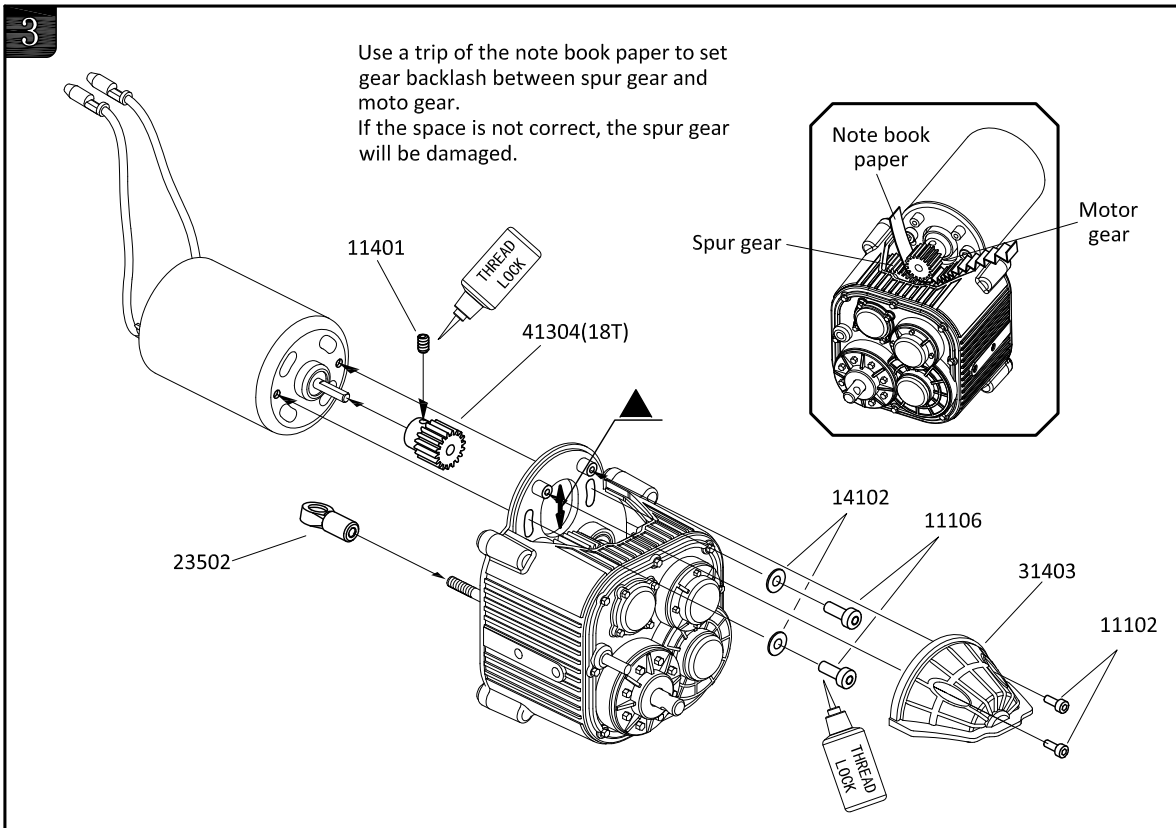
290 X1

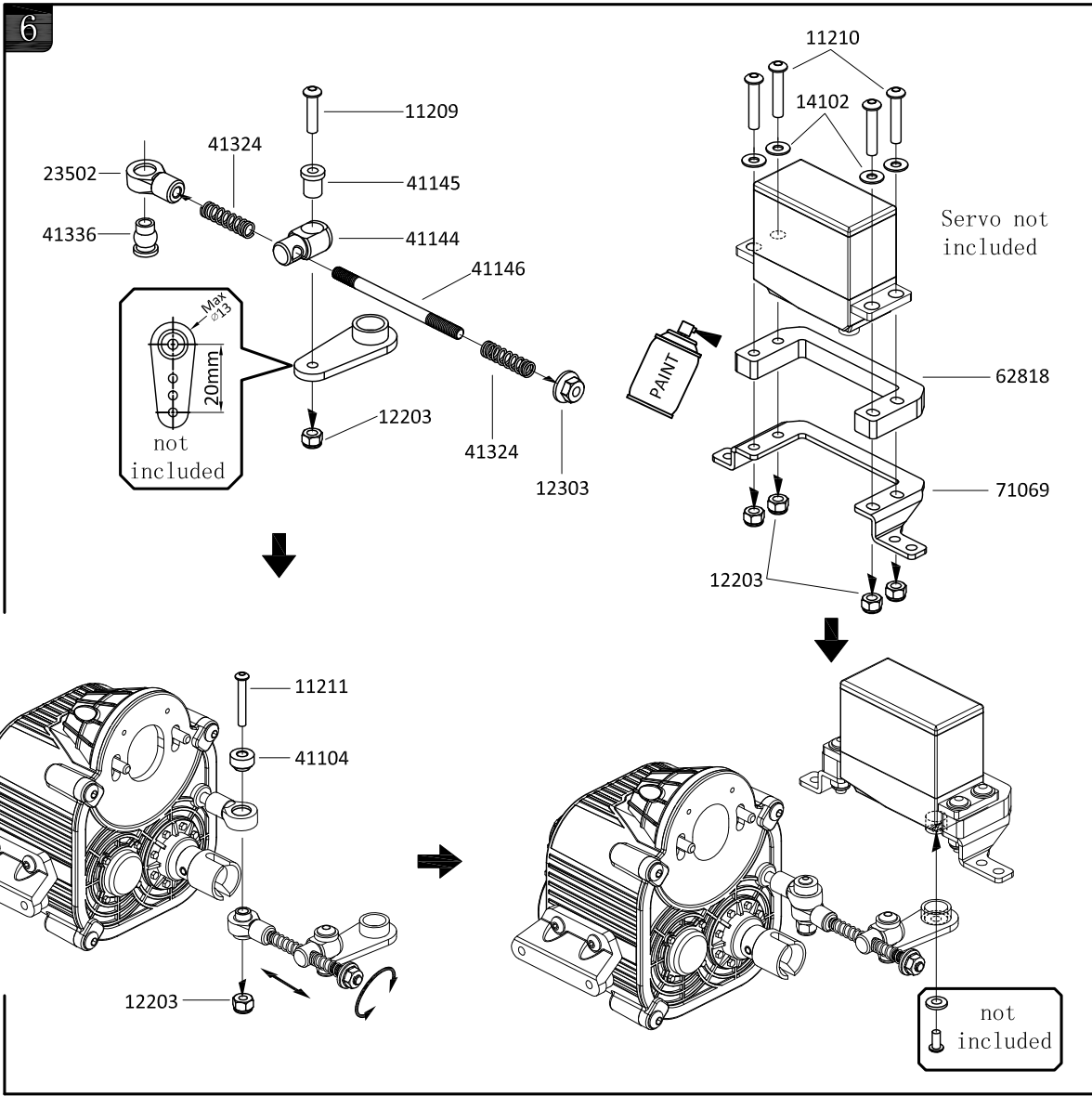
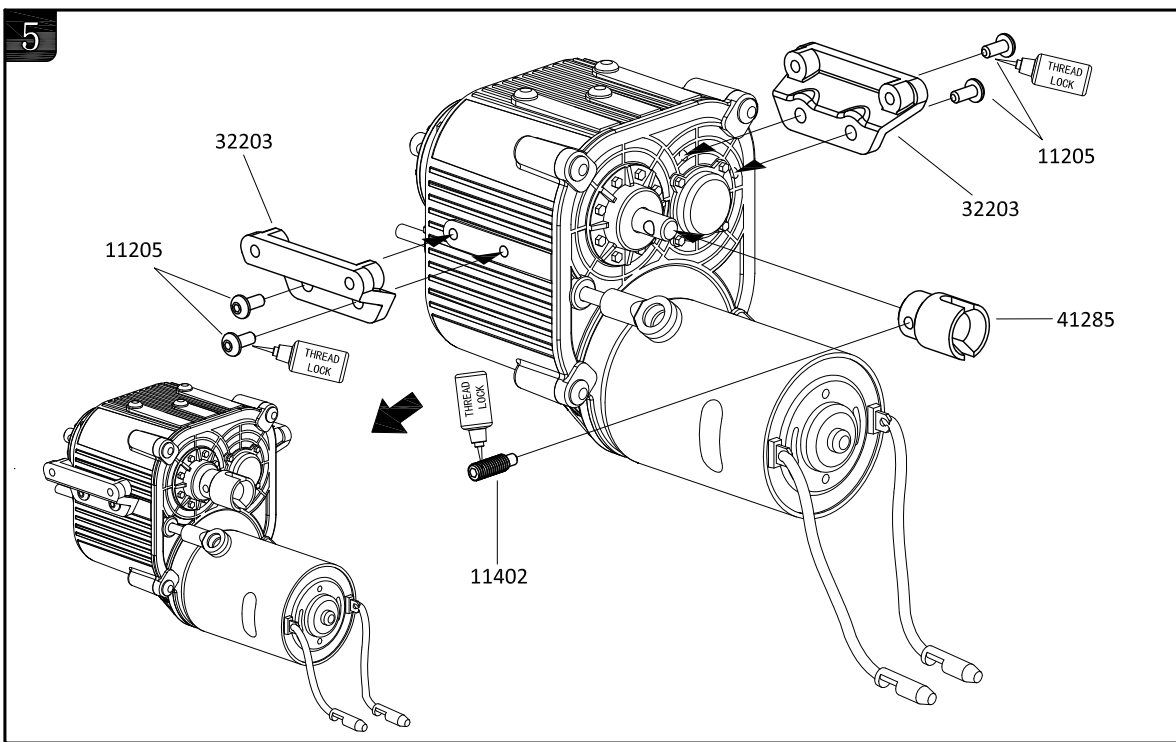
No.291



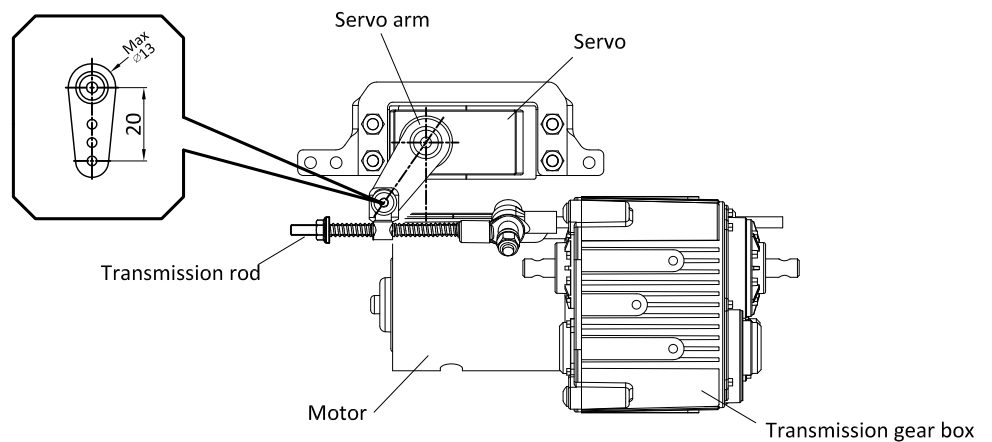
291 X2





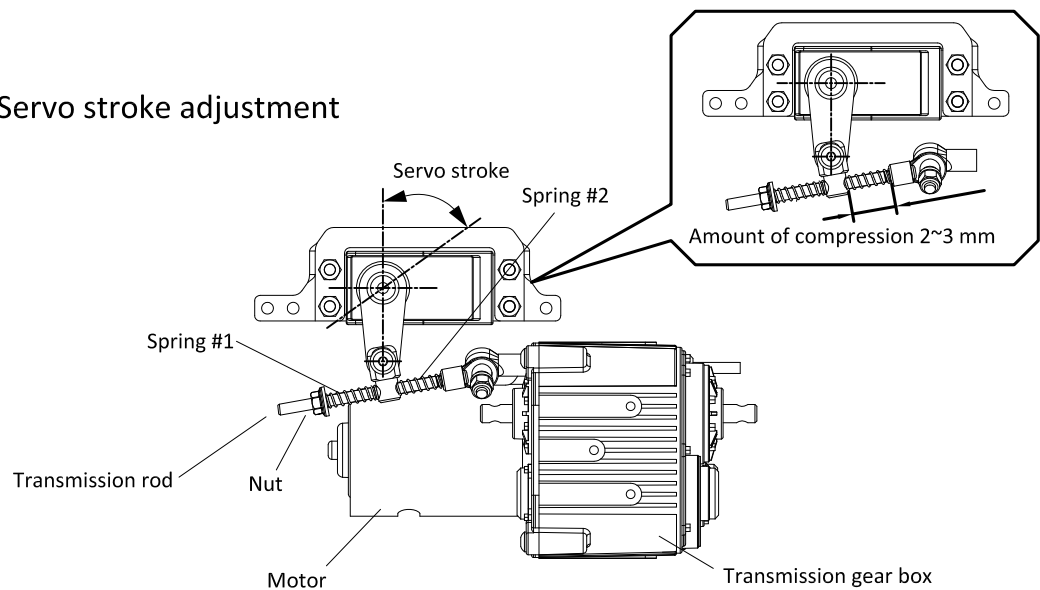


Servo arm installation



1. 1 Check to remote control's instruction for get servo using and setting method.
- 1.2 Make sure the servo is in neutral position before installation, as shown in the drawing to keep the transmission rod in its state (low gear), the arm is mounted on the servo, and the servo doesn't put pressure on the shift rod after installation completed

Servo stroke adjustment







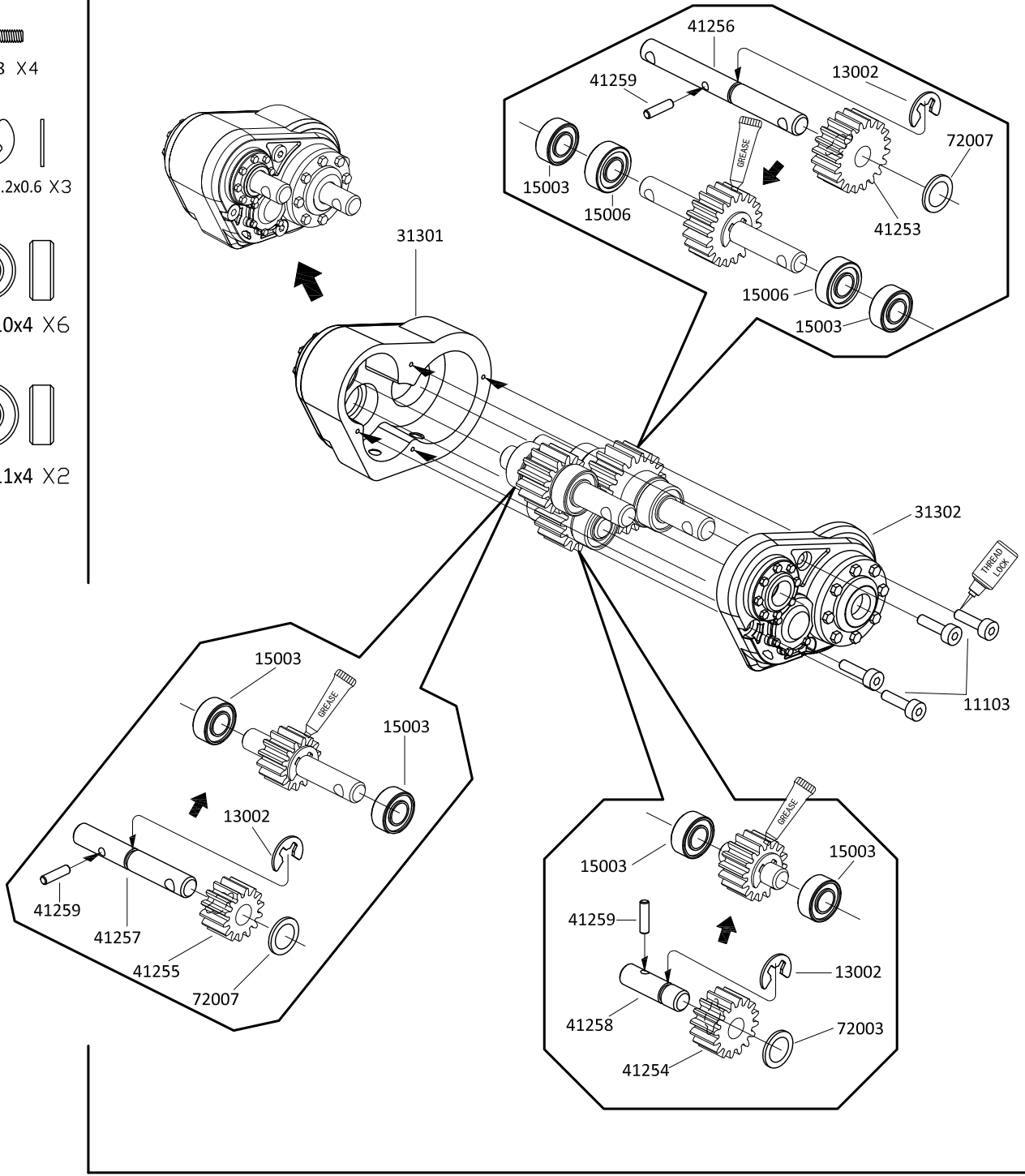
2. Adjusting servo stroke and result to spring decrement in the 2-3mm after into high speed gear.

WARNING


Make sure the servo is operated in a suitable stroke, it's may result in damage to the servo or transmission gearbox parts if the servo or shift rod continues to exert a large force.

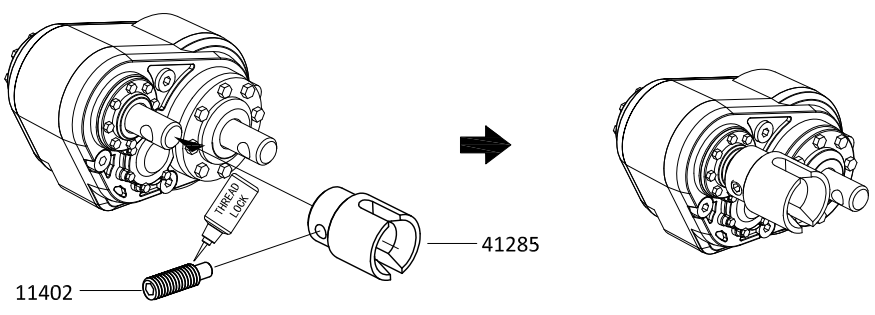
8




- 11103  M2x8 X4
- 13002  $\varnothing 3.8 \times \varnothing 9.2 \times 0.6$ X3
- 15003  $\varnothing 5 \times \varnothing 10 \times 4$ X6
- 15006  $\varnothing 5 \times \varnothing 11 \times 4$ X2

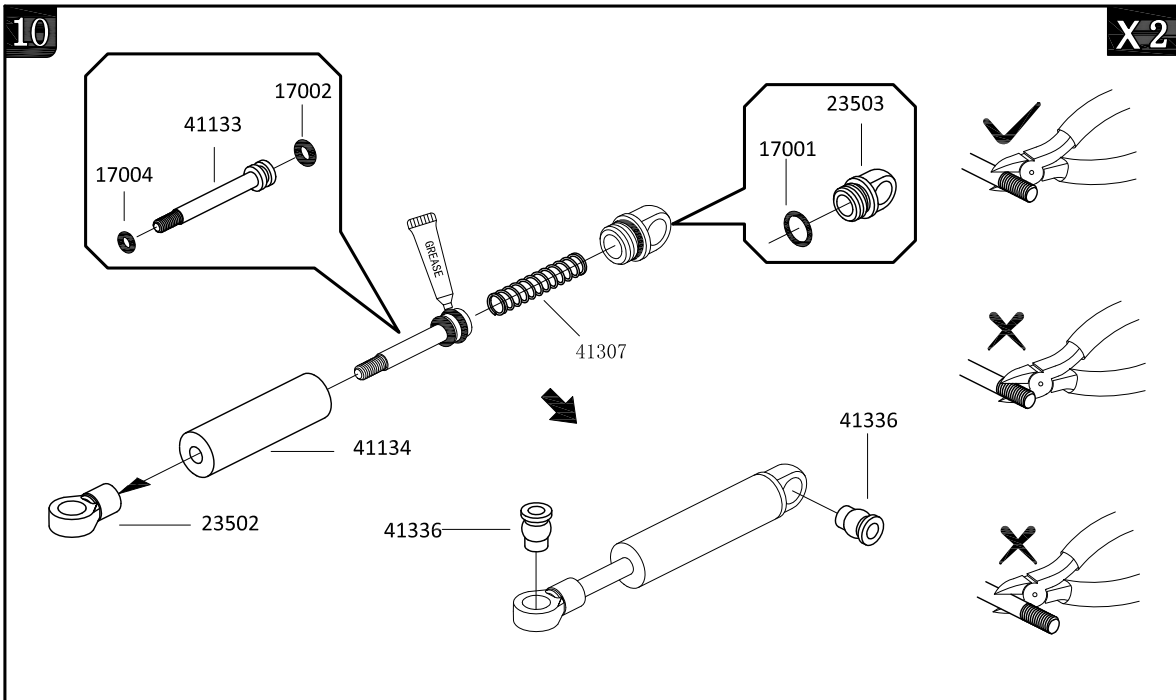



9

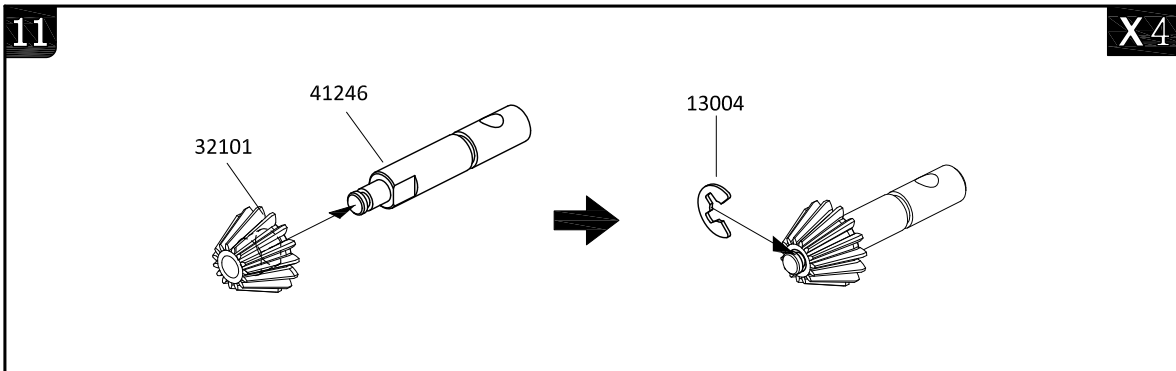
- 11402  M3x10 X1





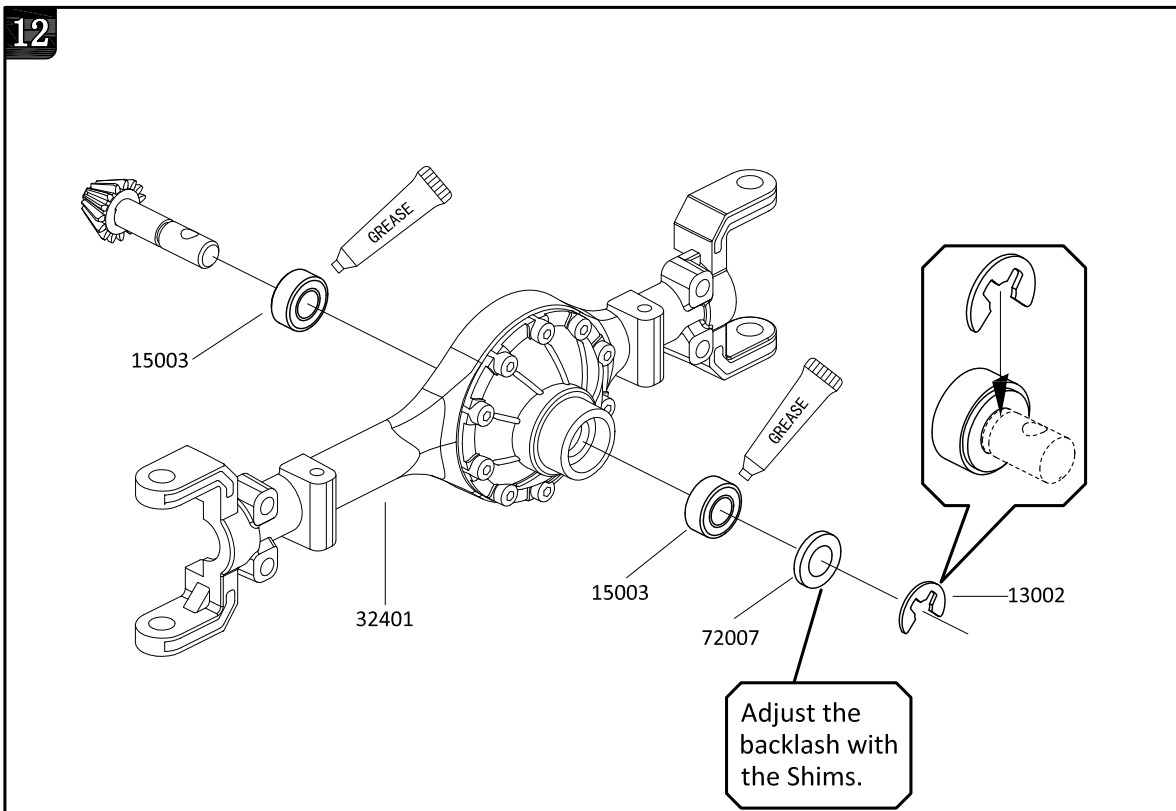
- 17004  $\phi 5 \times \phi 3 \times 1$ X2
- 17002  $\phi 6 \times \phi 2.4 \times 1.8$ X2
- 17001  $\phi 8 \times \phi 6 \times 1.0$ X2







- 13004  $\phi 2 \times \phi 5.5 \times 0.4$ X4

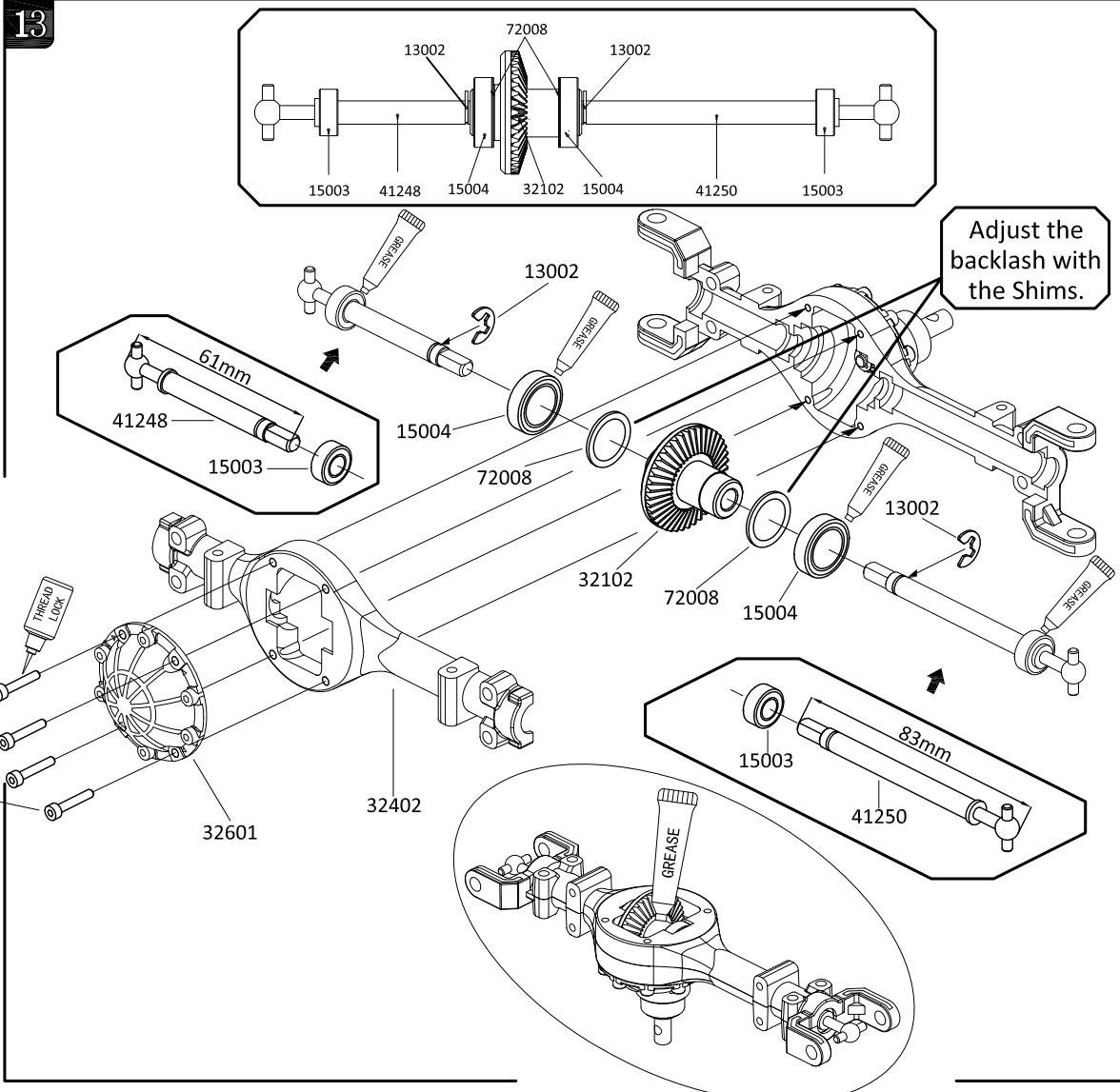


- 13002  $\phi 3.8 \times \phi 9.2 \times 0.6$ X1
- 15003  $\phi 5 \times \phi 10 \times 4$ X2




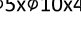


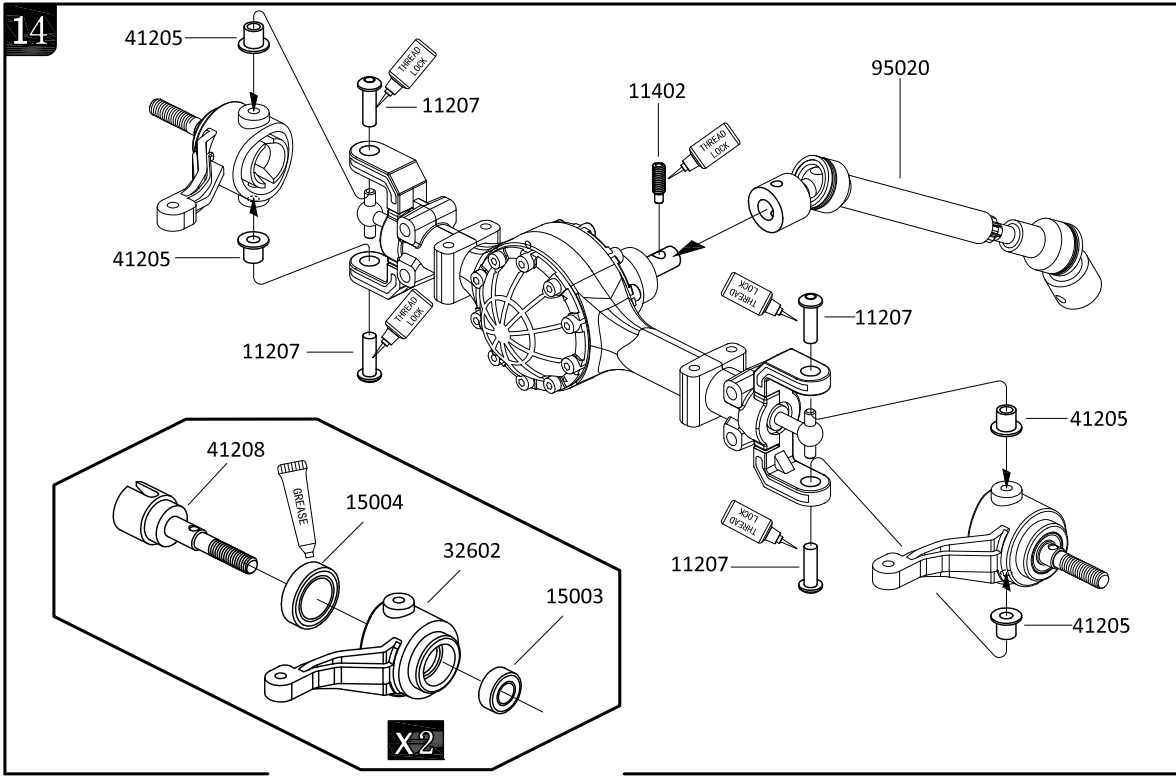
13

- 11126  M2x14 X4
- 13002  $\phi 3.8 \times 9.2 \times 0.6$ X2
- 15003  $\phi 5 \times 10 \times 4$ X2
- 15004  $\phi 10 \times 15 \times 4$ X2






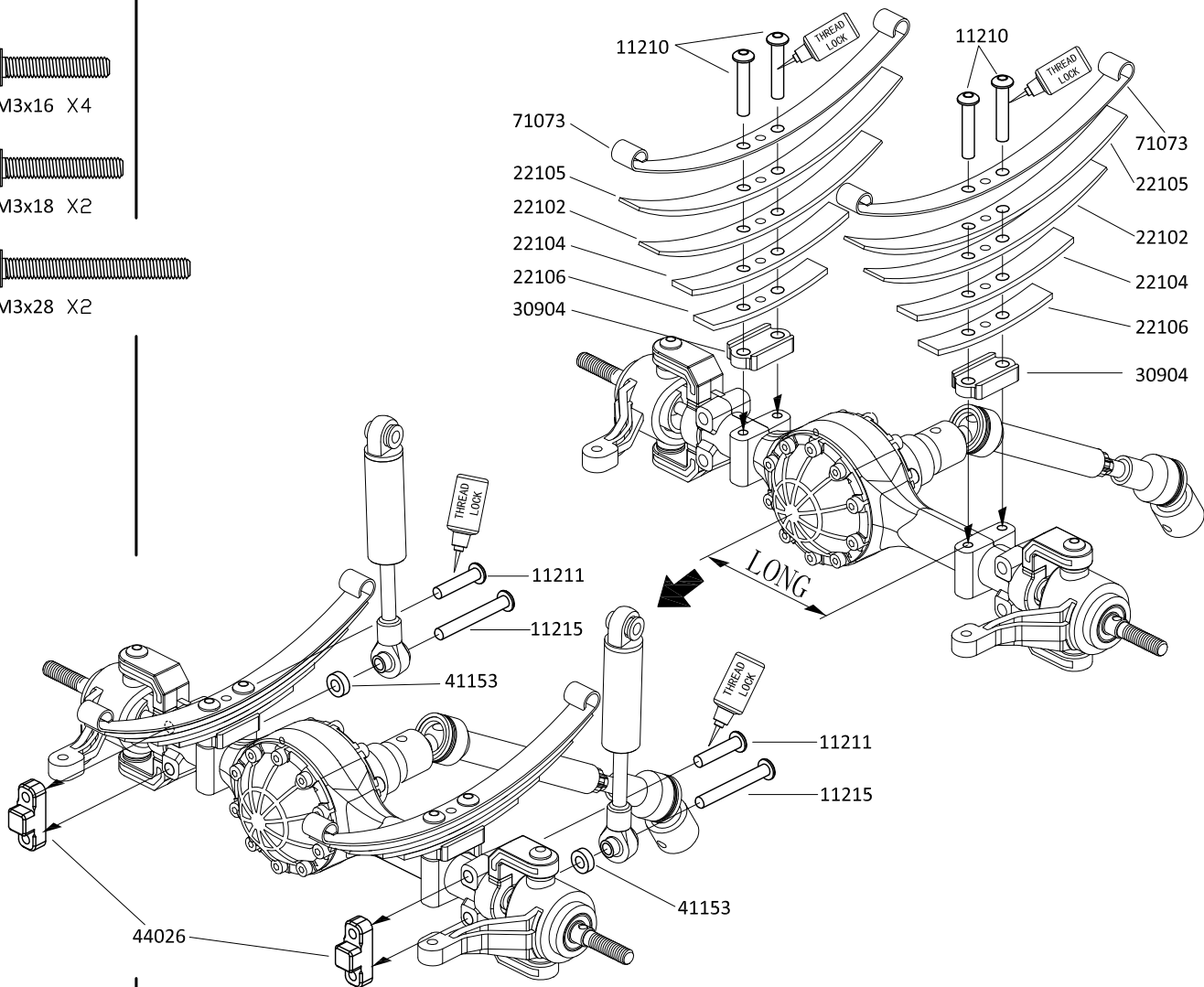
14

- 11402  M3x10 X1
- 11207  M3x10 X4
- 15003  $\phi 5 \times 10 \times 4$ X2
- 15004  $\phi 10 \times 15 \times 4$ X2





15

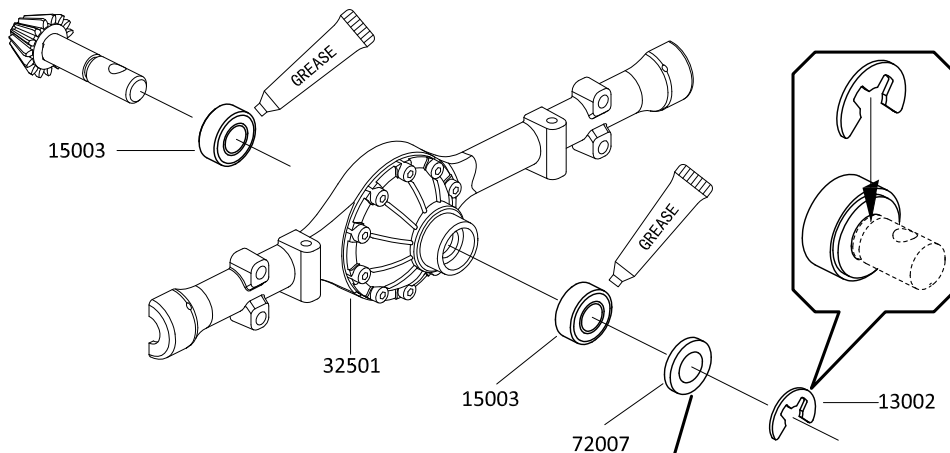
- 11210  M3x16 X4
- 11211  M3x18 X2
- 11215  M3x28 X2



16

X2






- 13002  $\phi 3.8 \times \phi 9.2 \times 0.6$ X2
- 15003  $\phi 5 \times \phi 10 \times 4$ X4

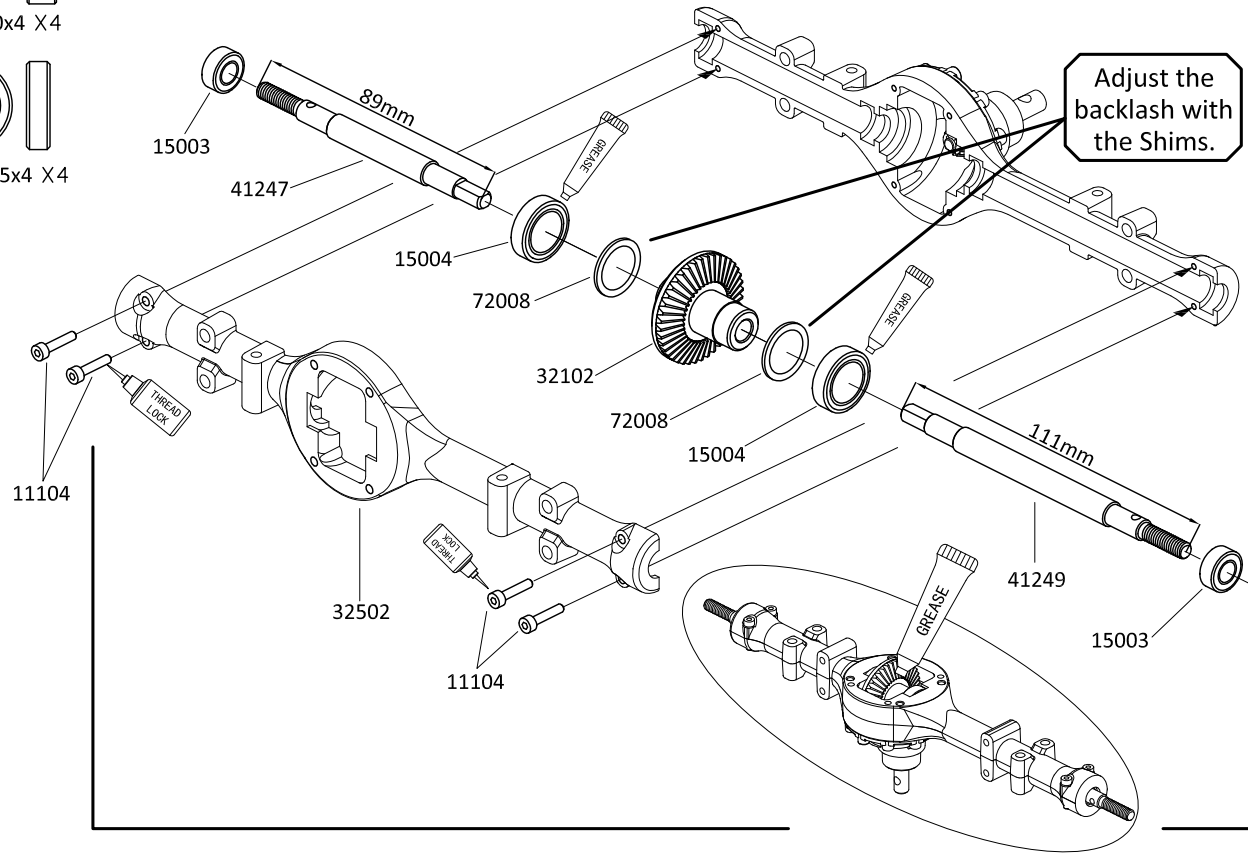
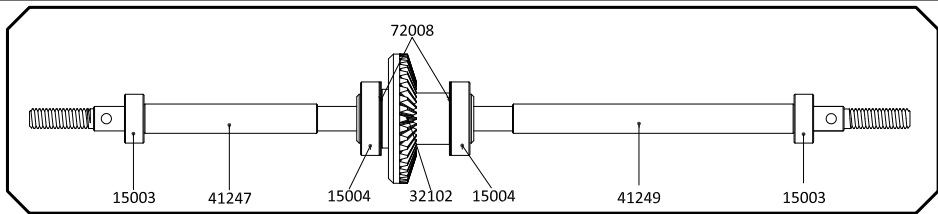


Adjust the backlash with the Shims.






17

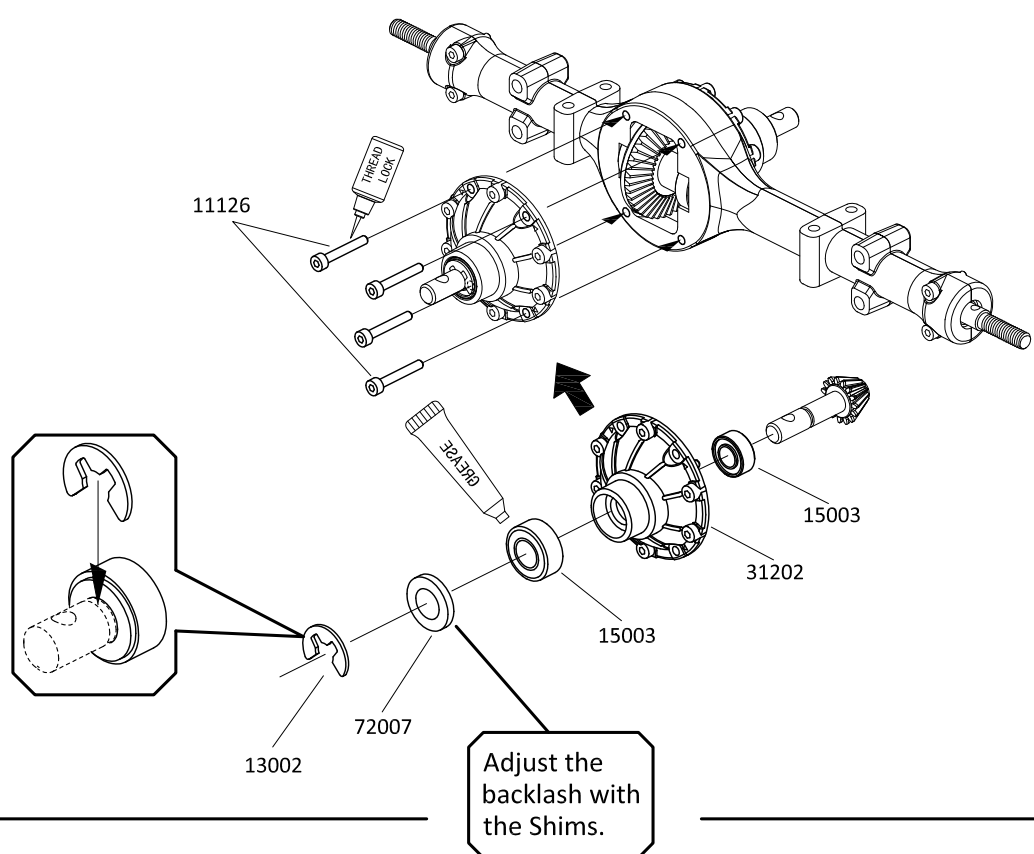
X2

- 11104  M2x10 X8
- 15003   $\phi 5 \times \phi 10 \times 4$ X4
- 15004   $\phi 10 \times \phi 15 \times 4$ X4




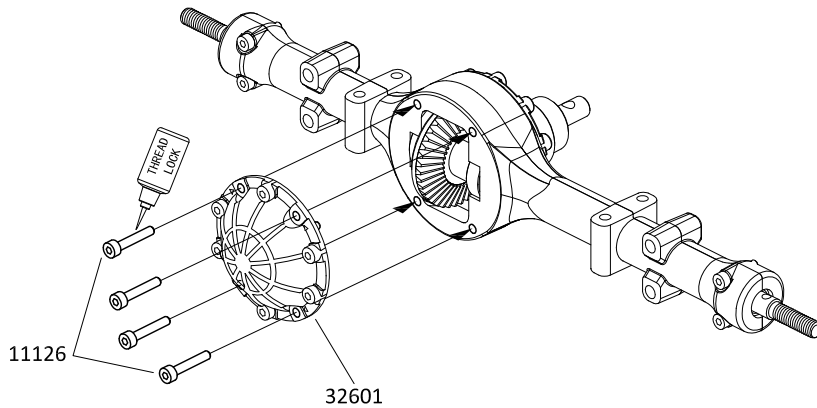
18

- 11126  M2x14 X4
- 13002   $\phi 3.8 \times \phi 9.2 \times 0.6$ X1
- 15003   $\phi 5 \times \phi 10 \times 4$ X2





19

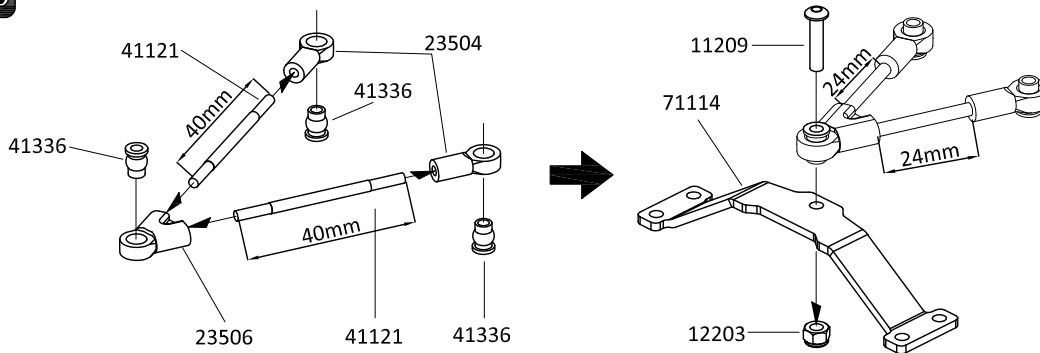
- 11126  M2x14 X4



20

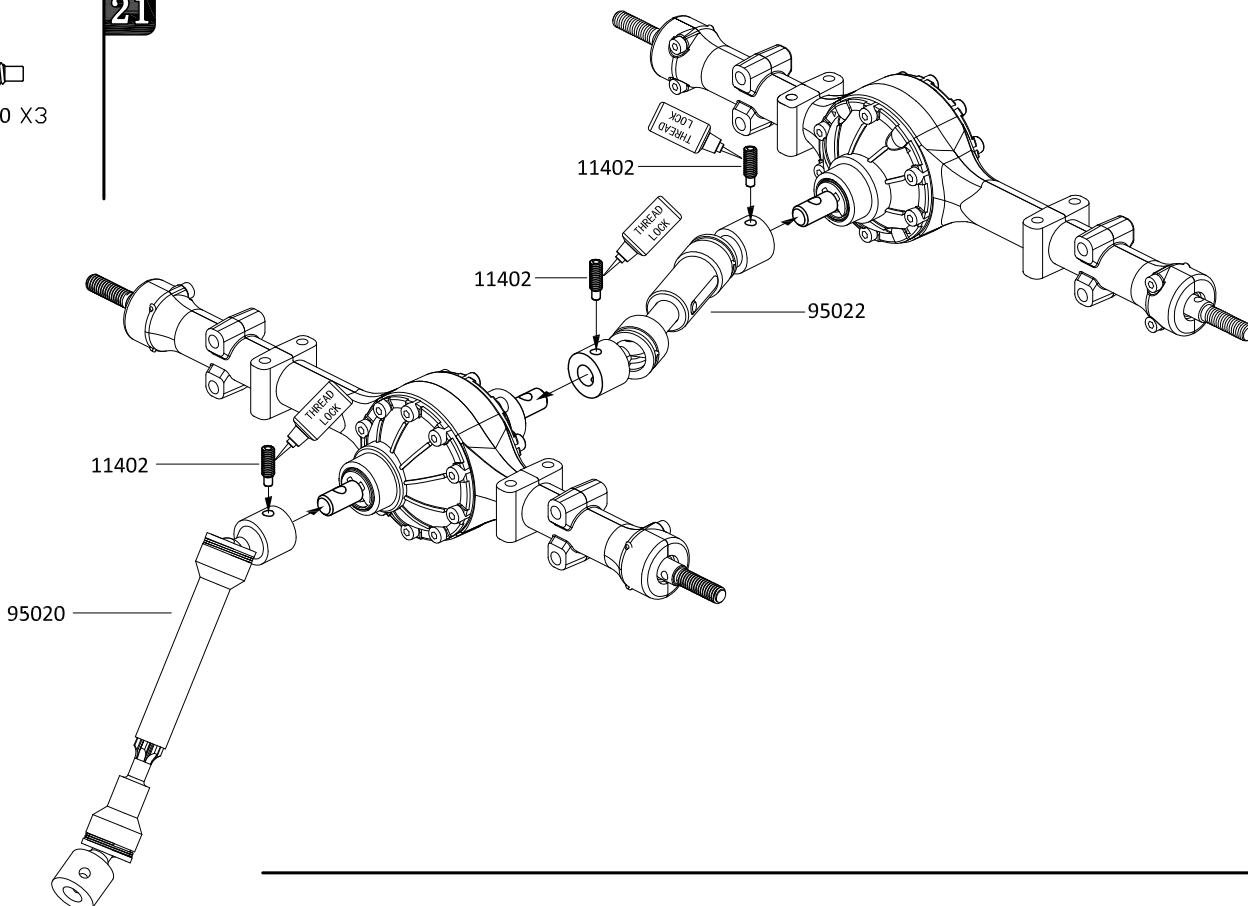
X2

- 12203  M3 X2
- 11209  M3x14 X2




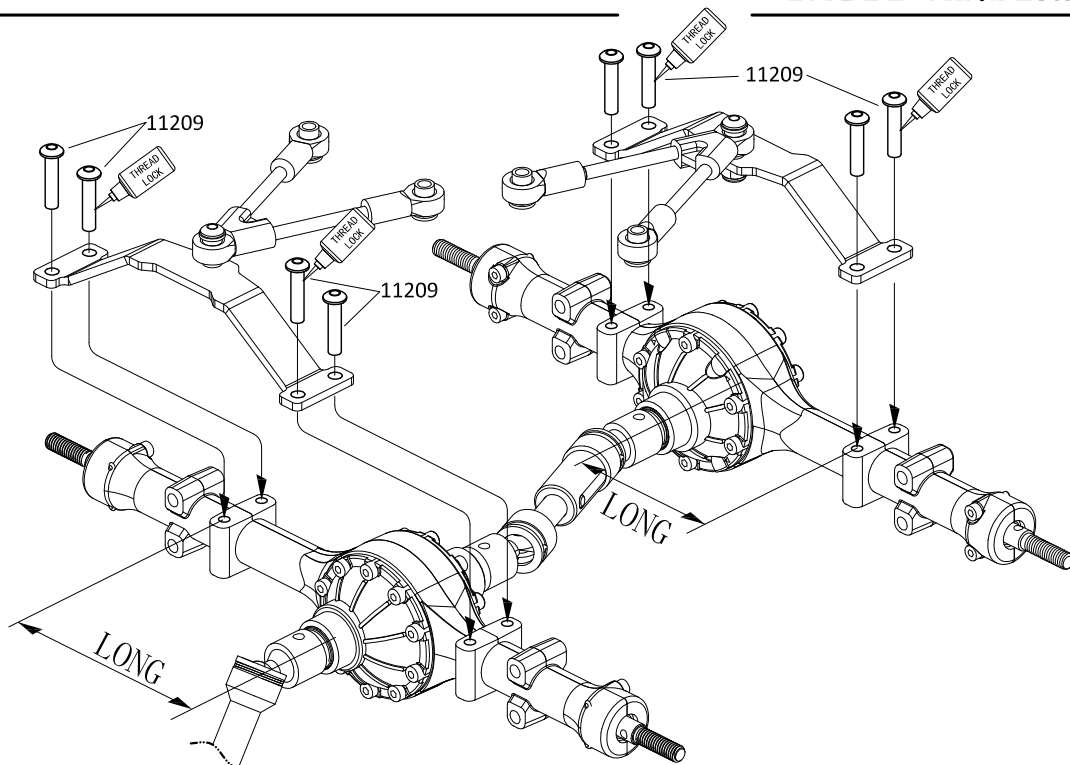
21

- 11402  M3x10 X3






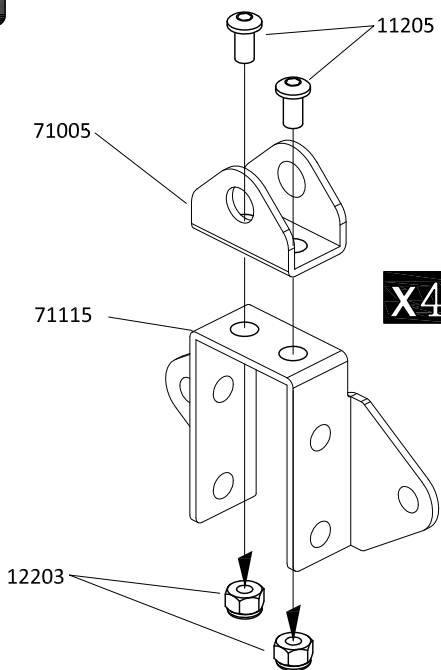
22

- 11209  M3x14 X8

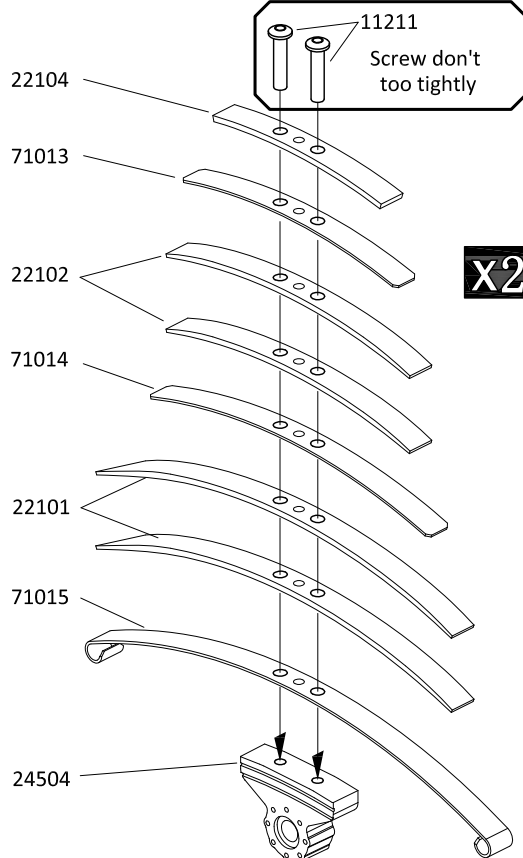



23

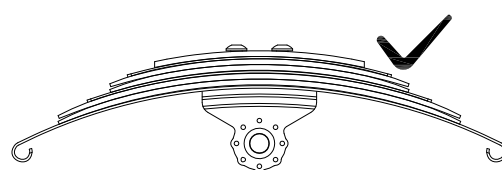
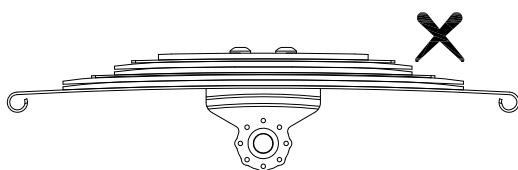
- 12203   M3 X8
- 11205  M3x6 X8



24




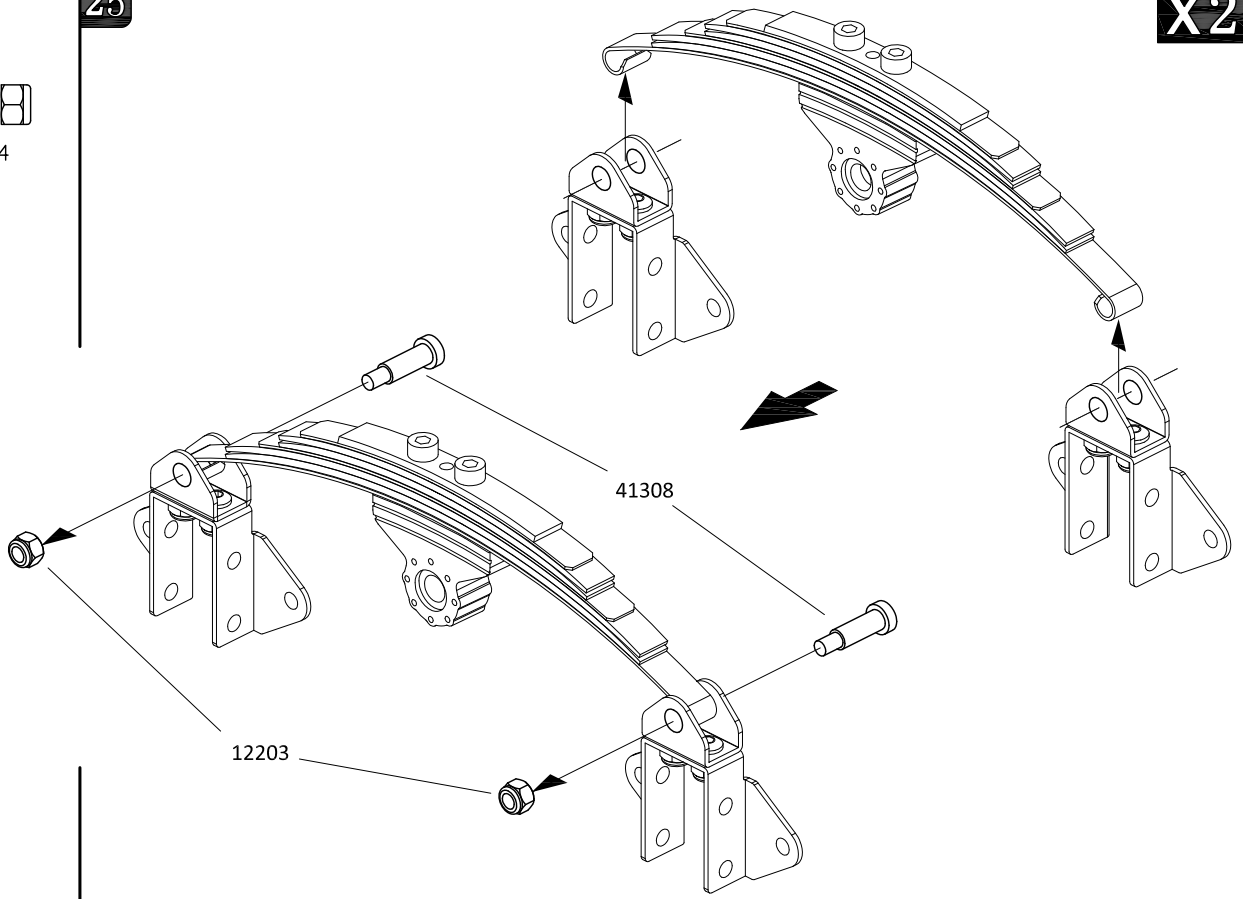
- 11211  M3x18 X4




25


X2

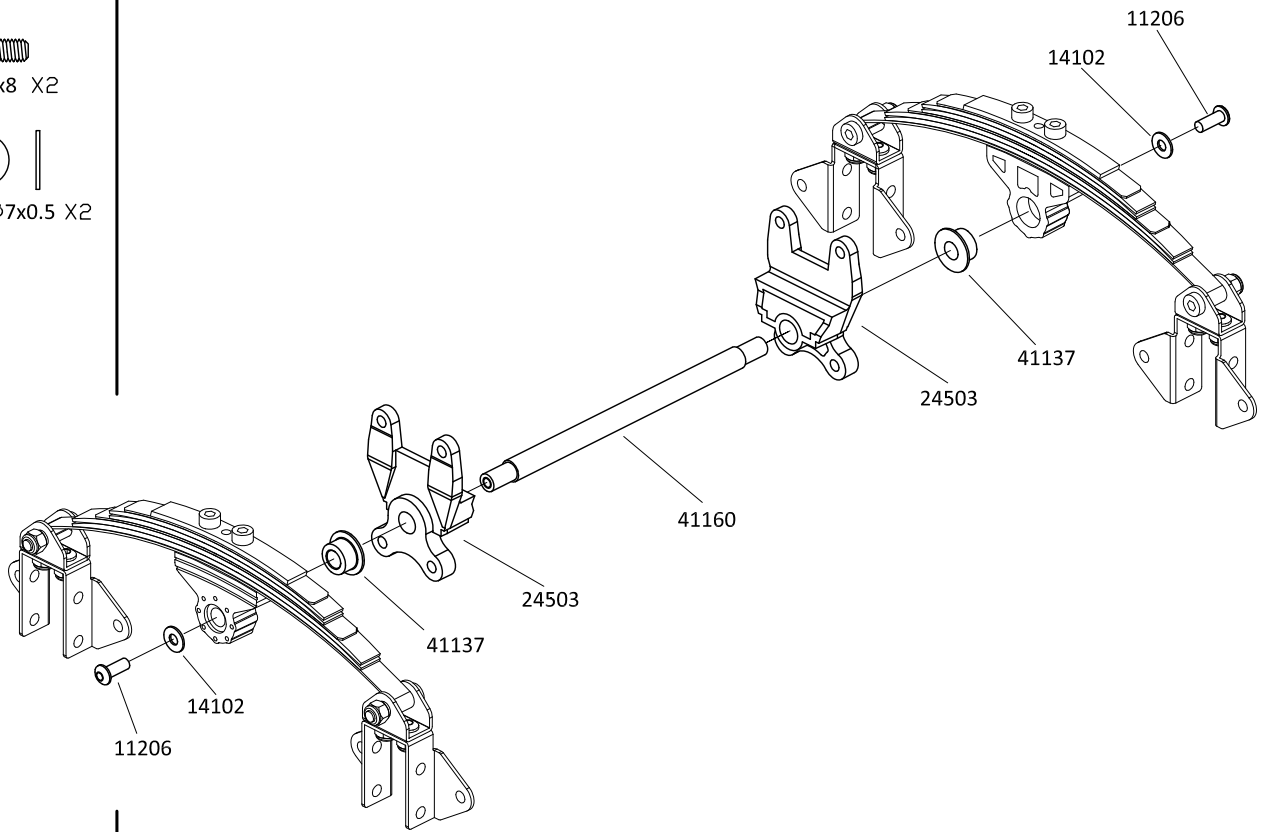
- 12203  M3 X4



26


- 11206  M3x8 X2

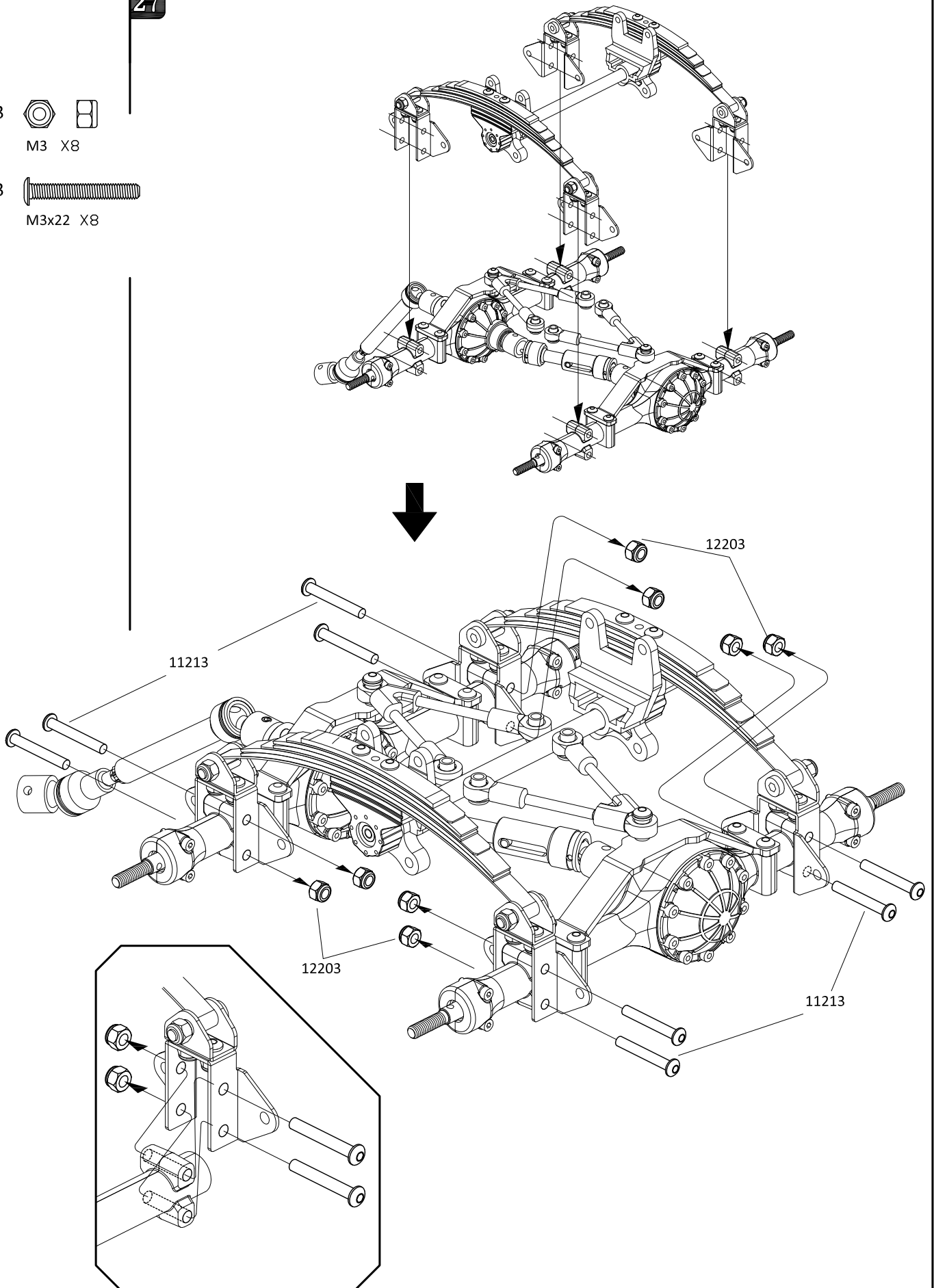
- 14102  $\phi 3 \times \phi 7 \times 0.5$ X2





27

12203 
M3 X8


11213 
M3x22 X8

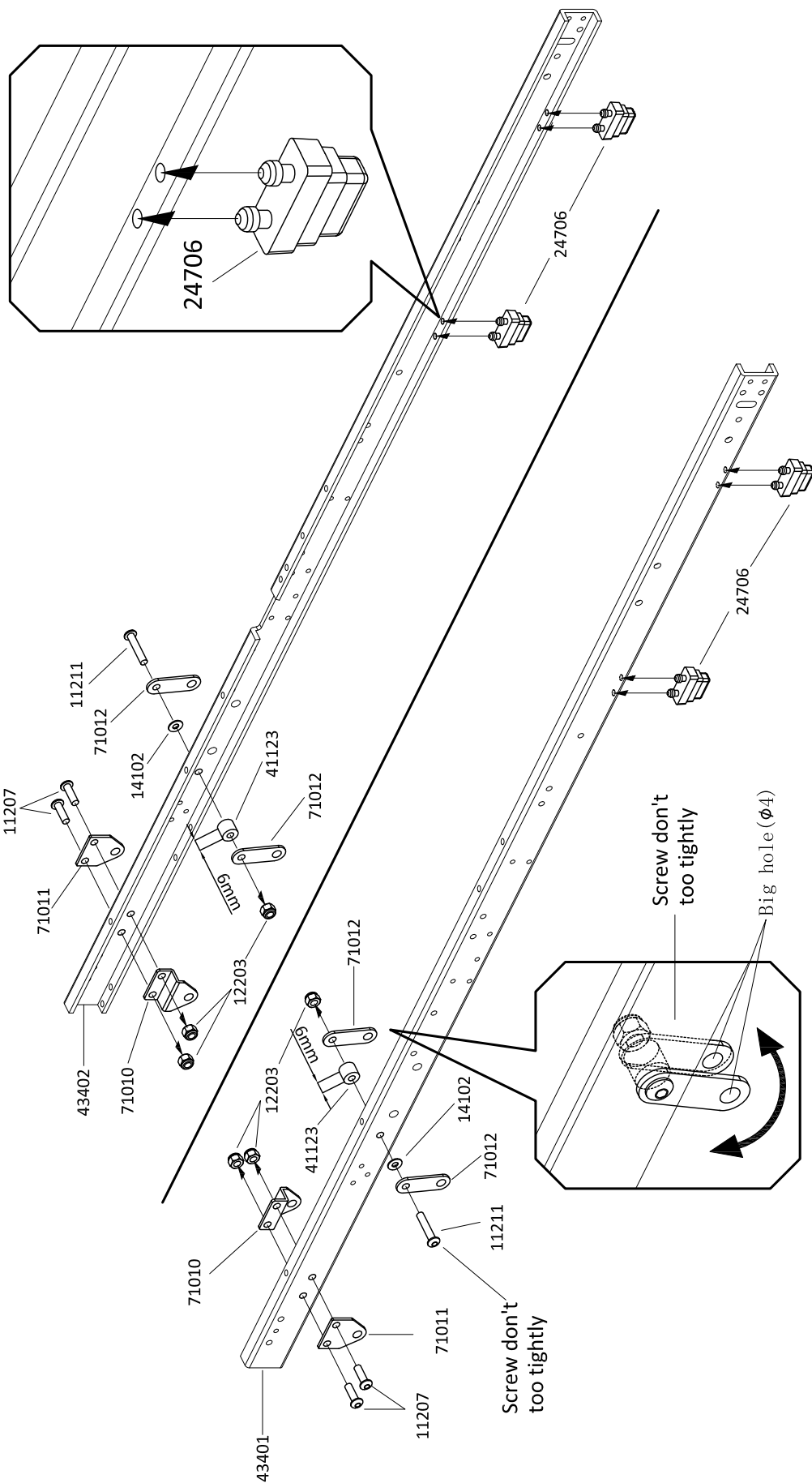


12203 
M3 X6

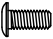
11207 
M3x10 X4

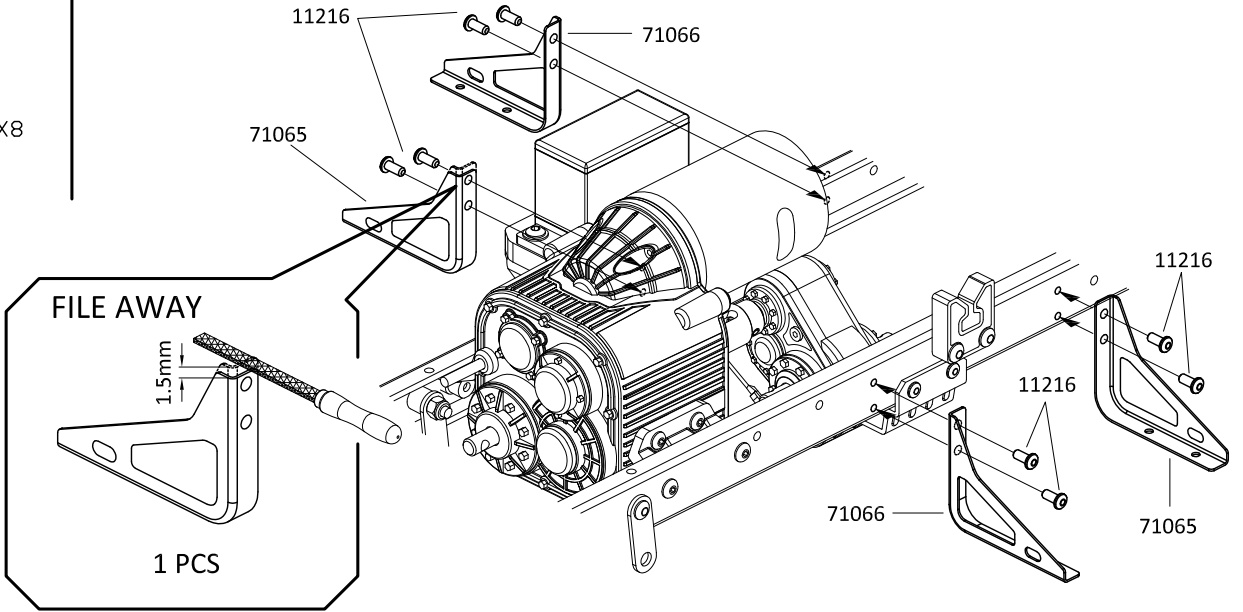
11211 
M3x18 X2

14102 
Ø3xØ7x0.5 X2




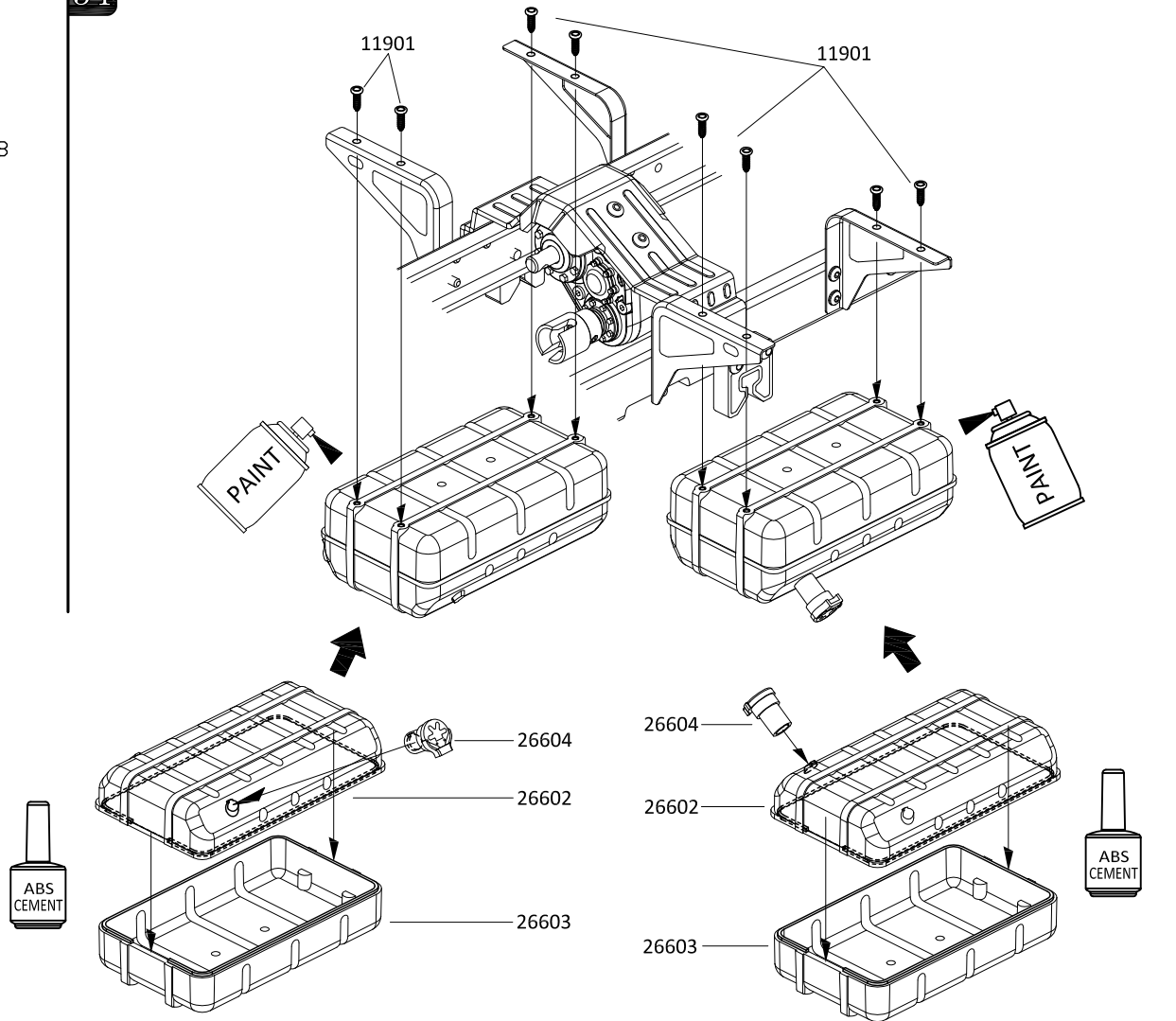
33

11216 
M2.5x6 X8

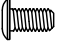


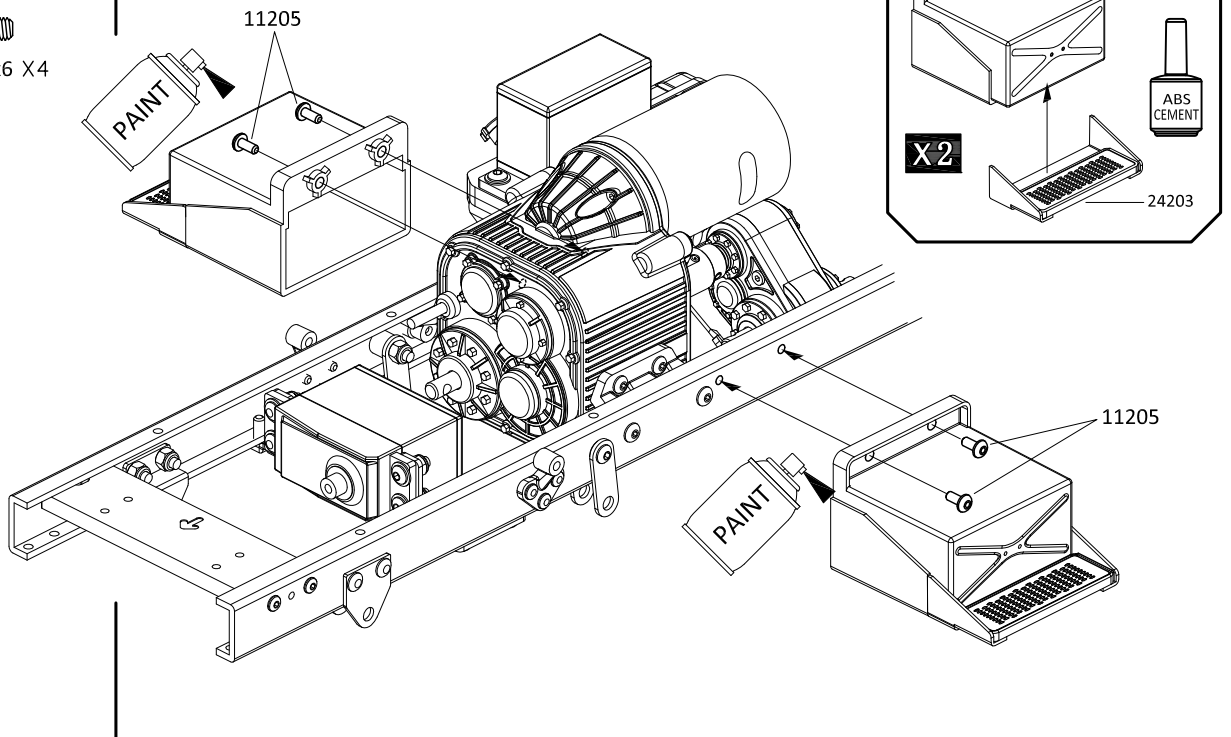
34

11901 
ST2x6 X8


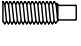



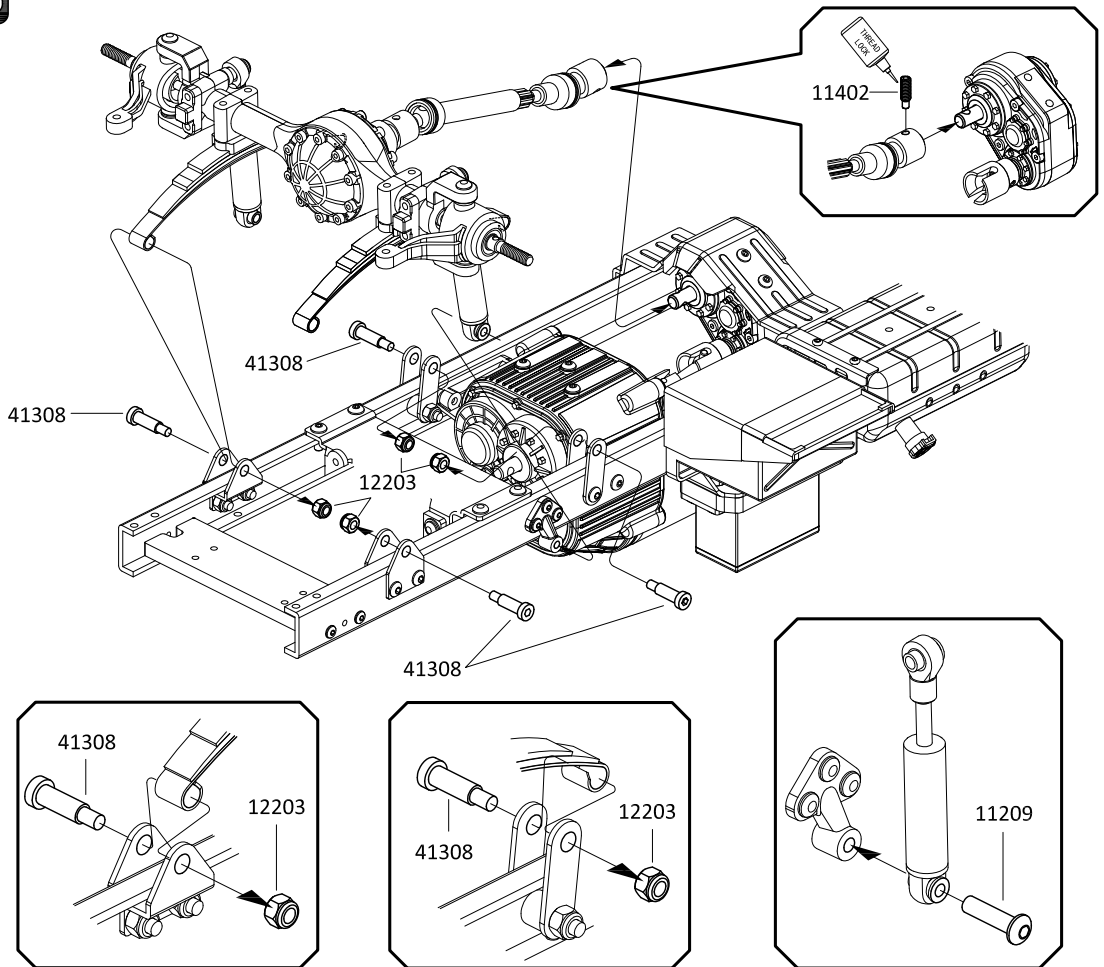
35

- 11205  M3x6 X4

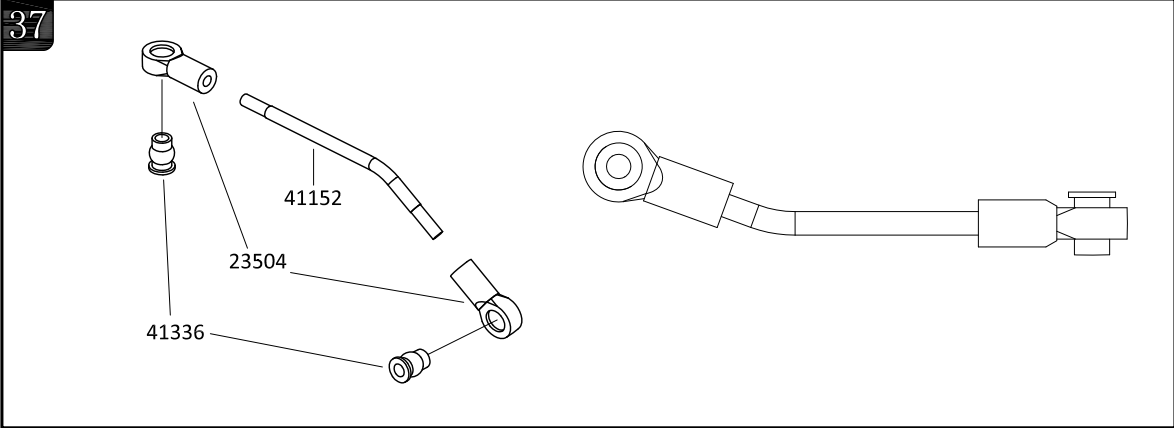


36

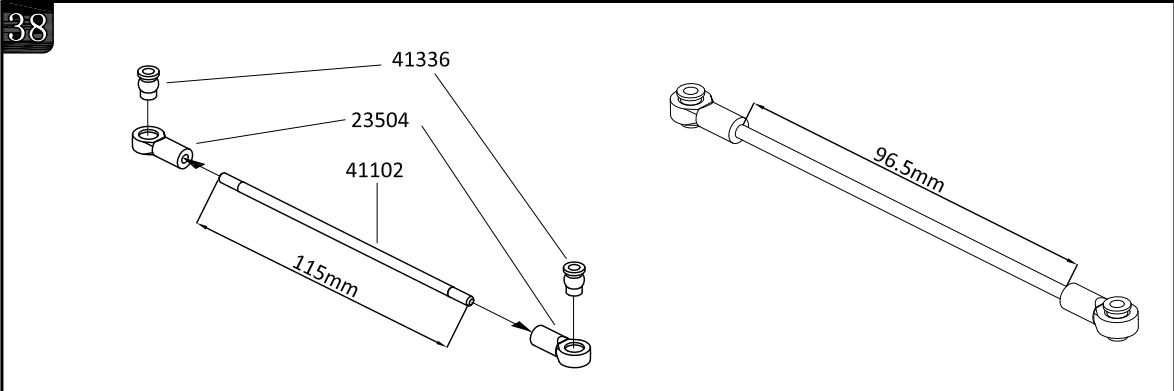
- 12203  M3 X4
- 11402  M3x10 X1
- 11209  M3x14 X2



37





38




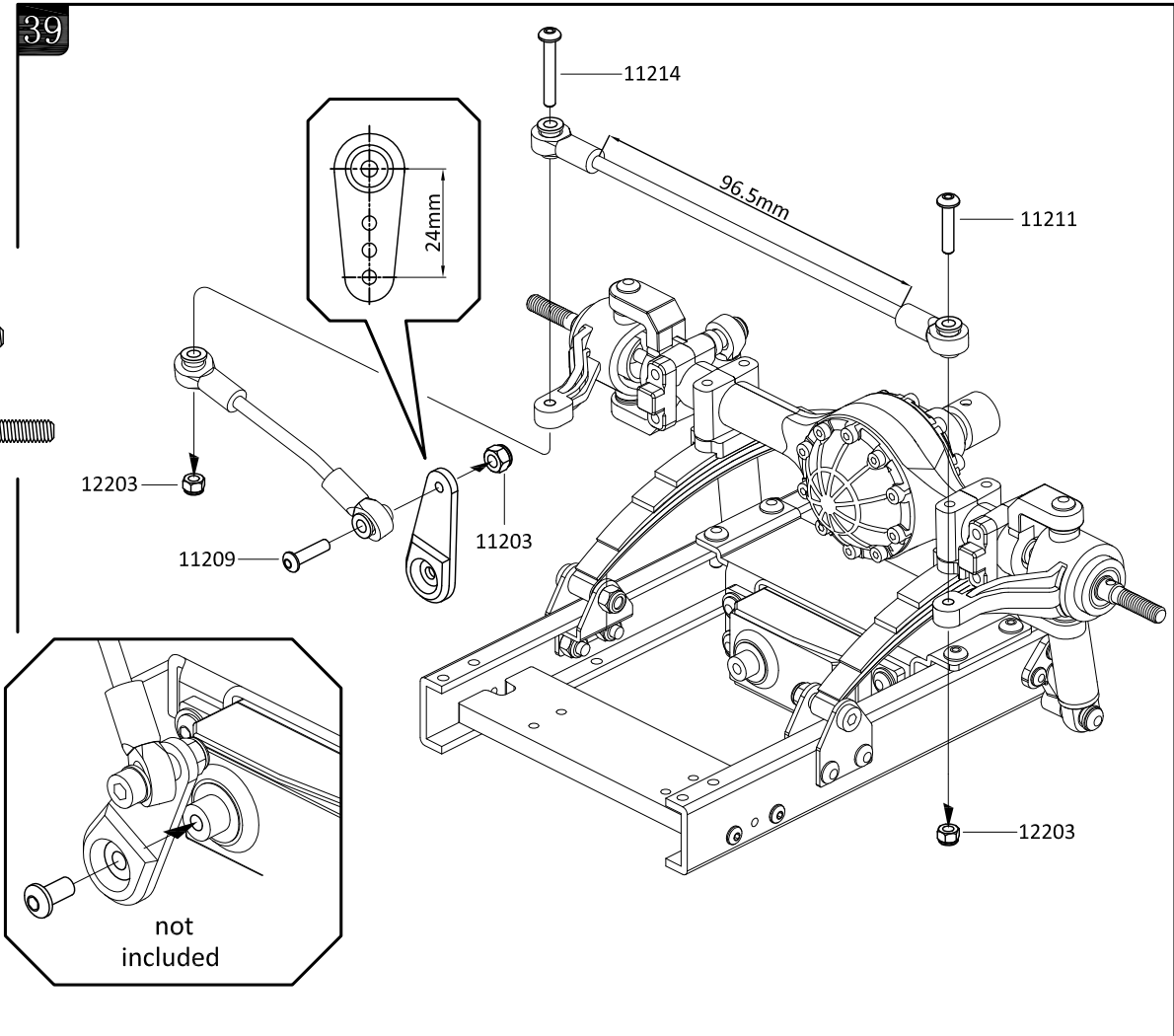
39

12203  
M3 X3


11209 
M3x14 X1


11211 
M3x18 X1

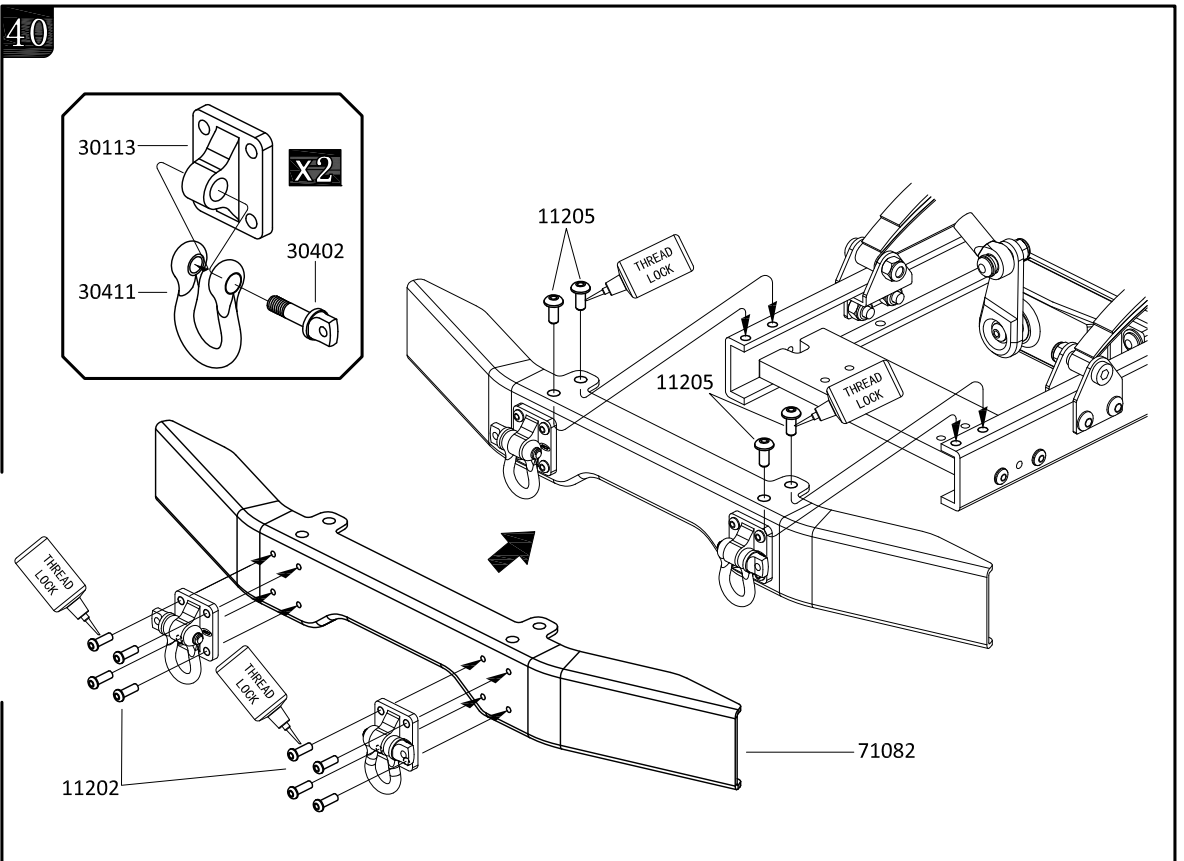
11214 
M3x25 X1




40


11202  M2x6 X8


11205  M3x6 X4




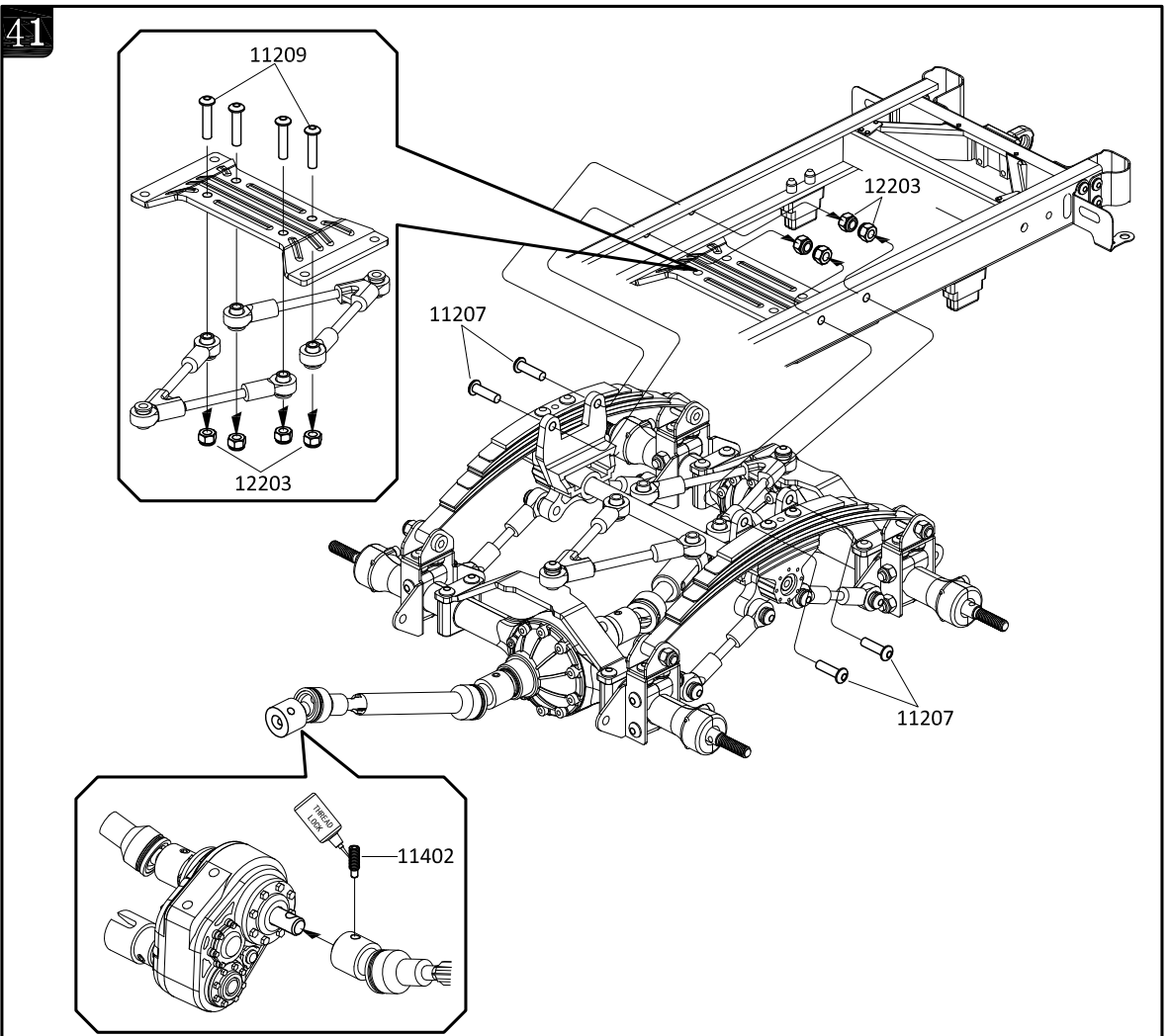
41

12203  M3 X8

11402  M3x10 X1

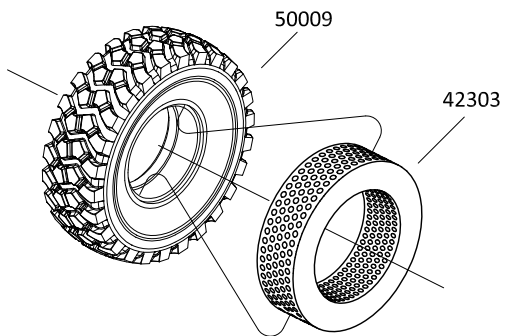
11207  M3x10 X4

11209  M3x14 X4



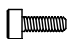
42

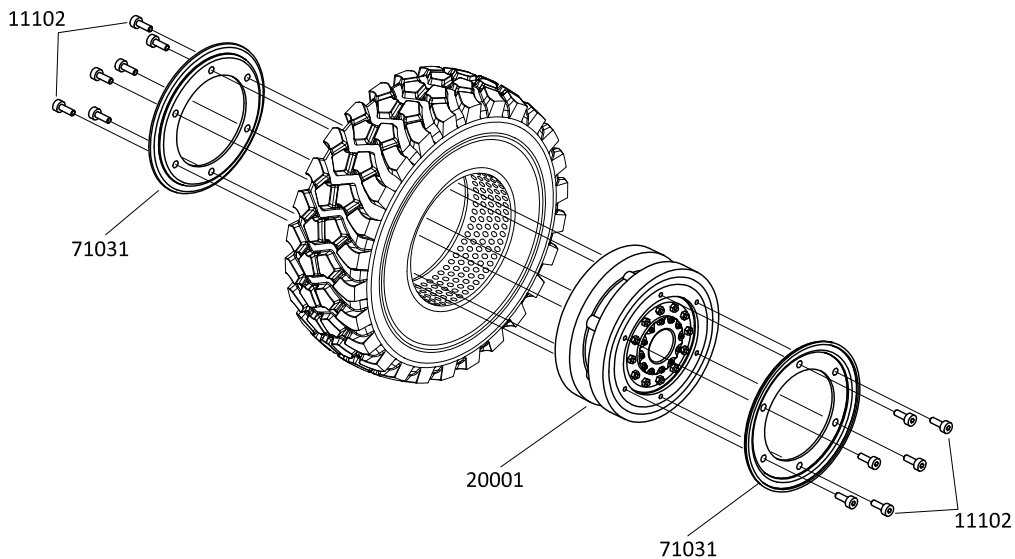
X7



43



The spare tire

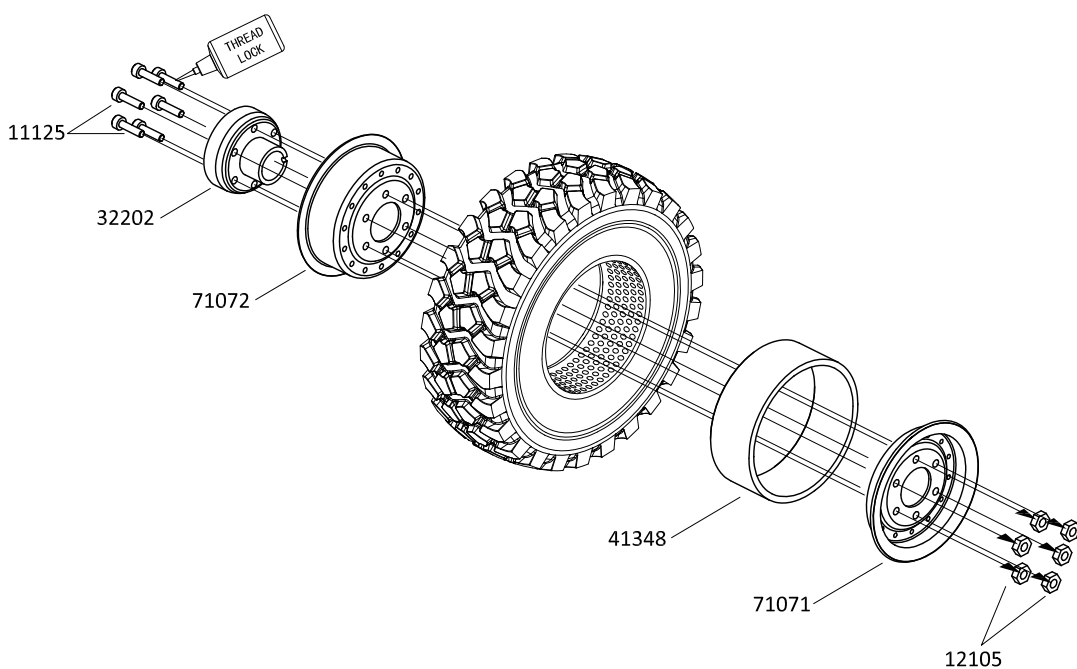
- 11102  M2x6 X12



44

X6

- 12105  M2.5 X36
- 11125  M2.5x10 X36



45

12204

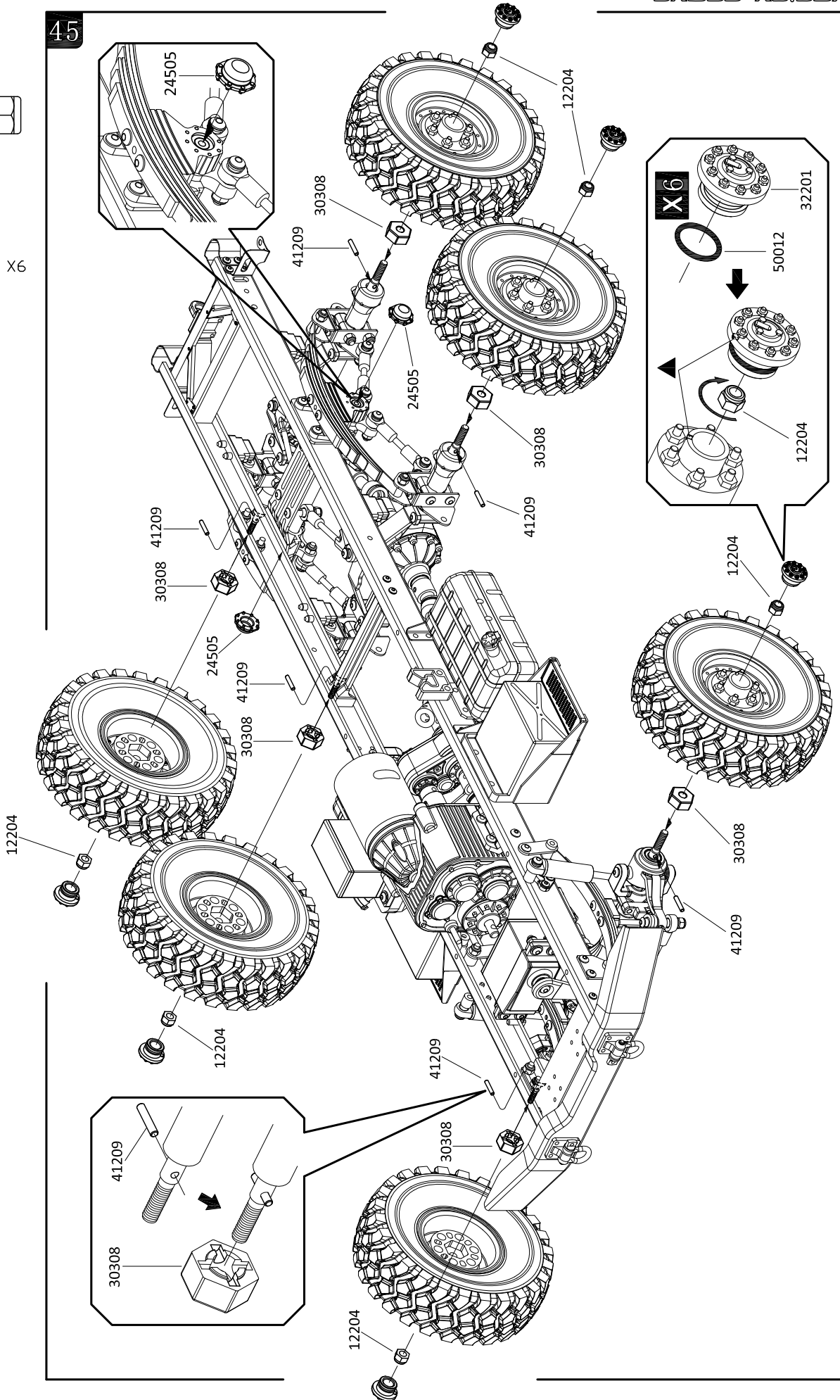


M4 X6

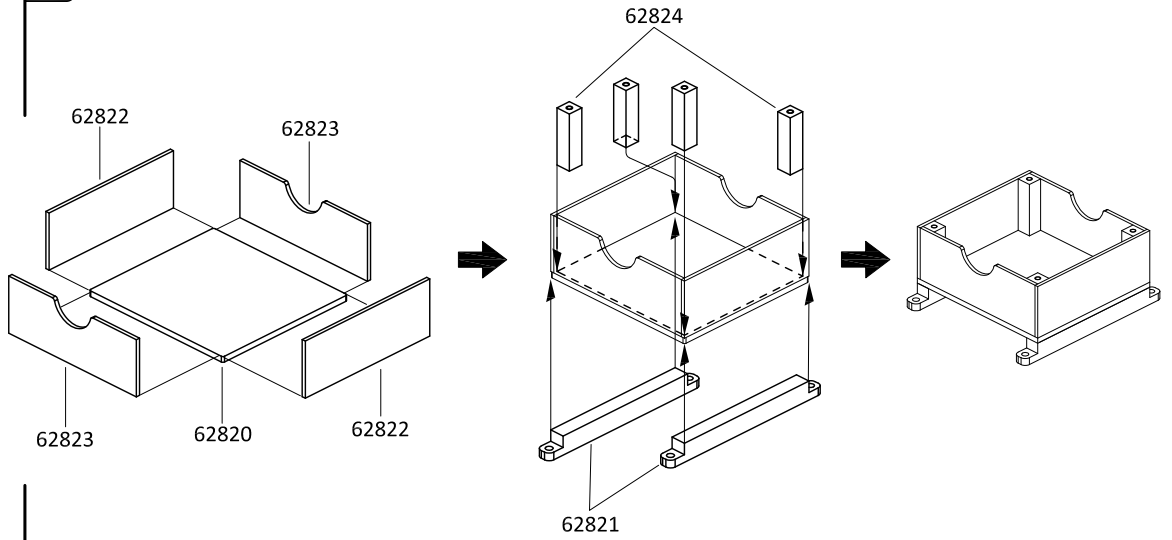
50012



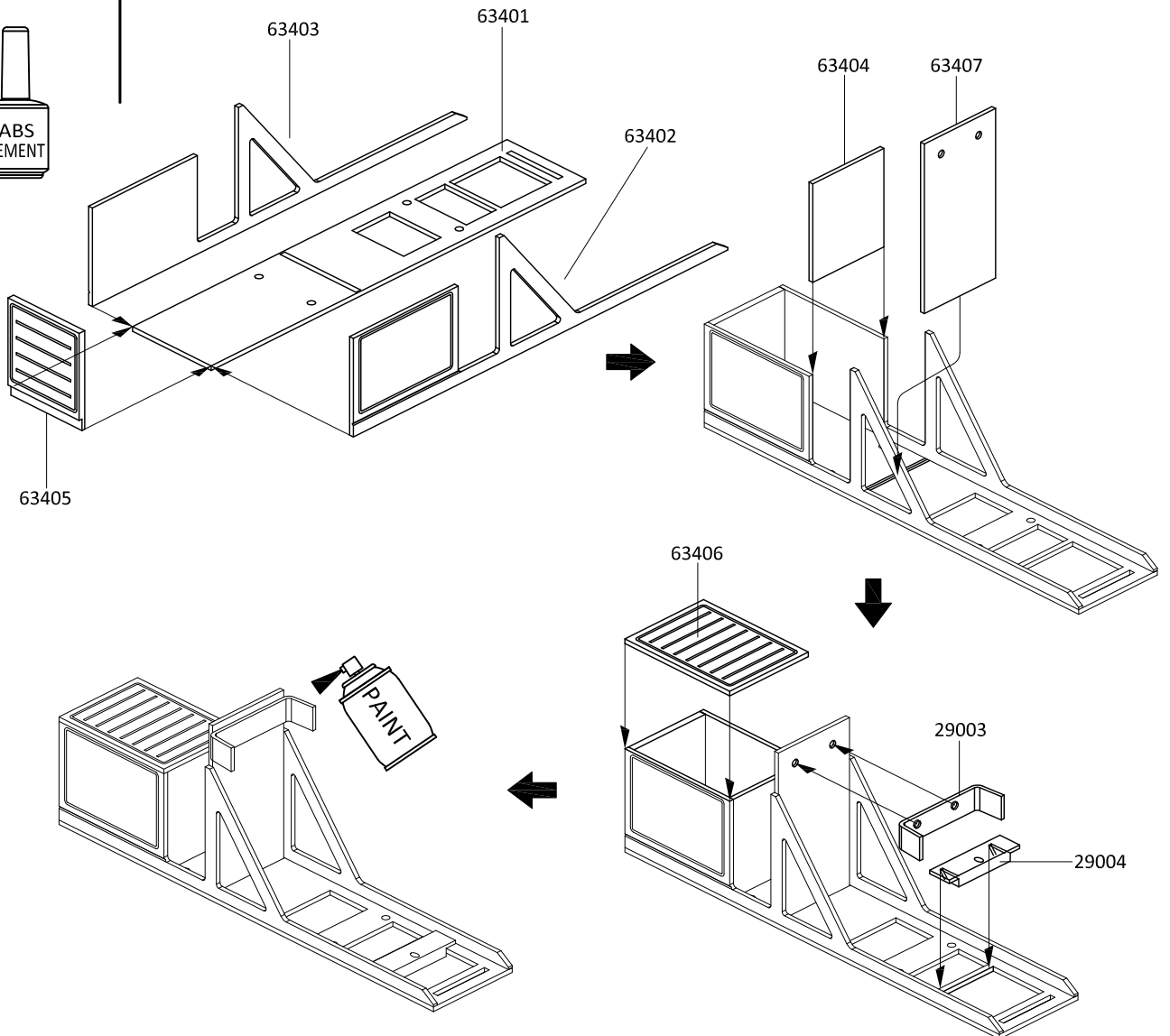
∅9x∅6x1.5 X6



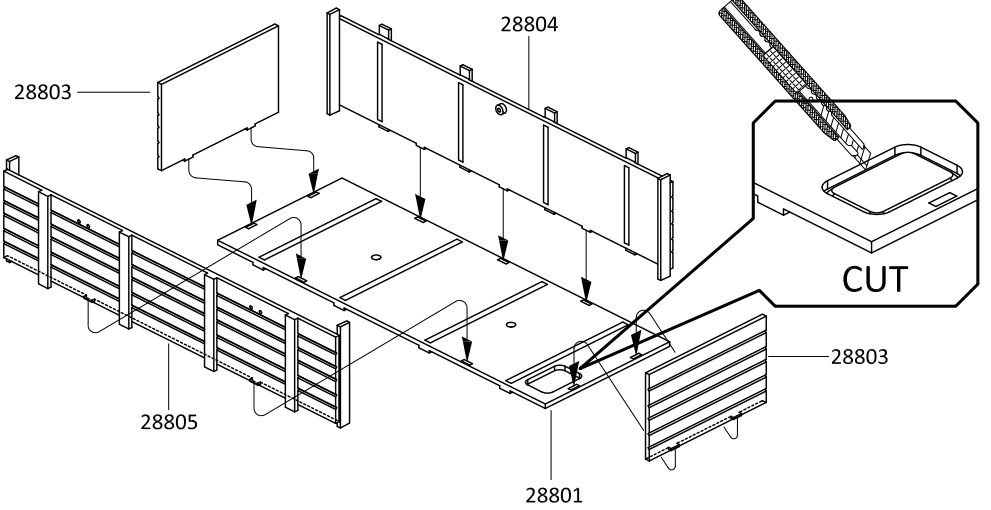
46




47

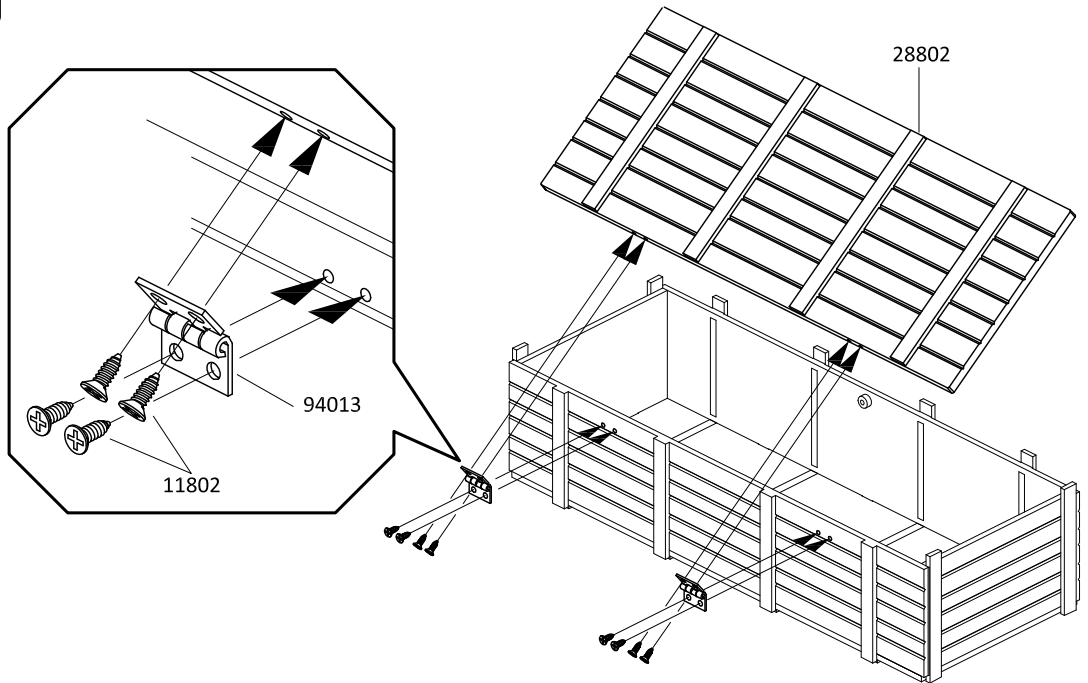


48




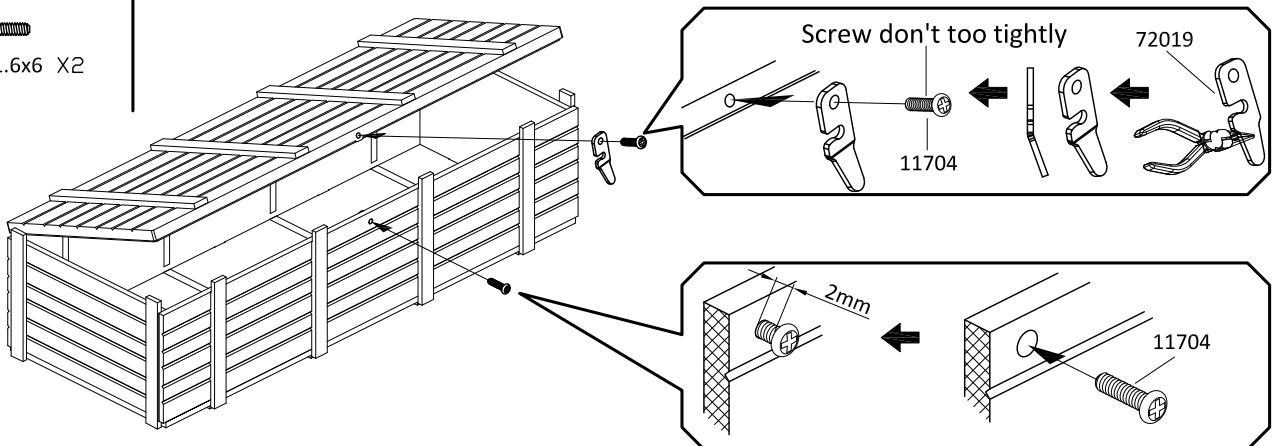
49

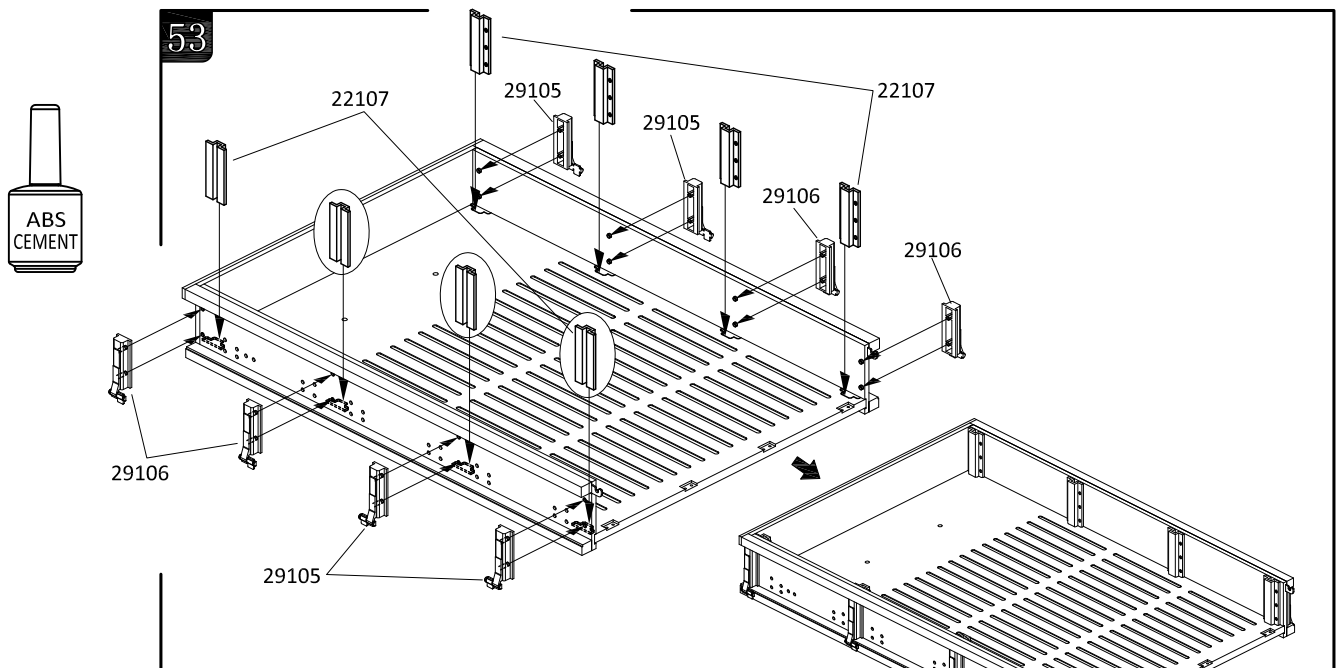
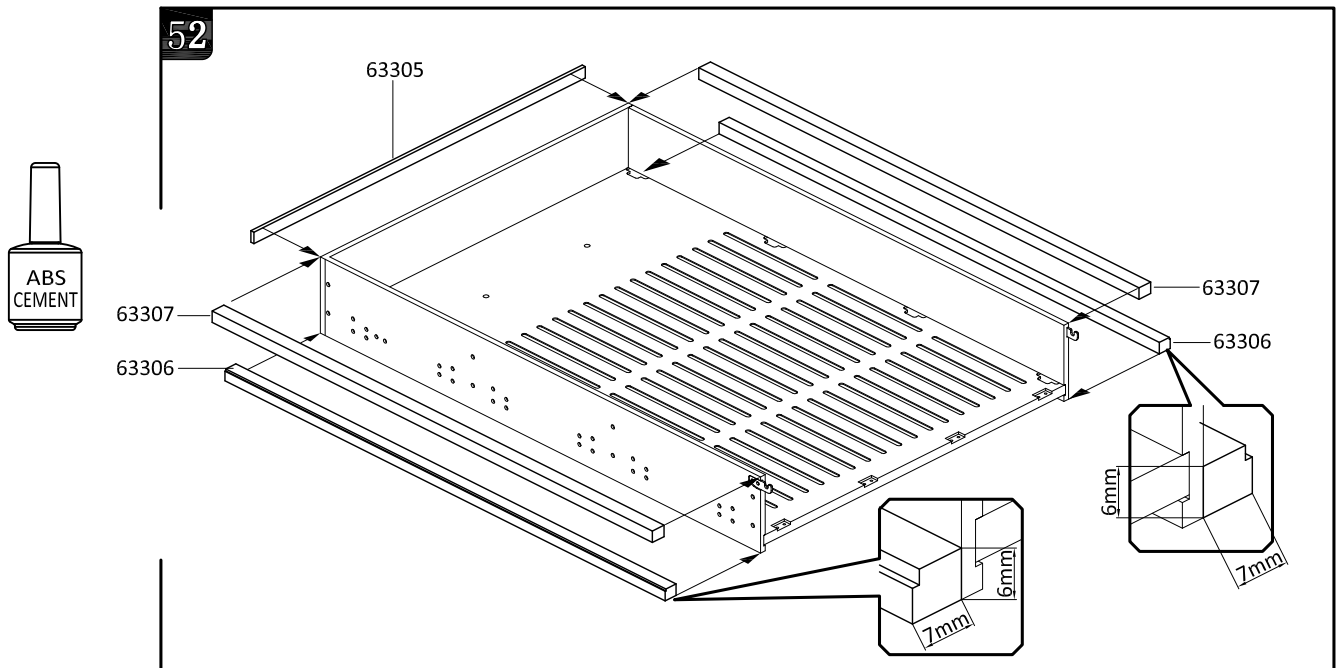
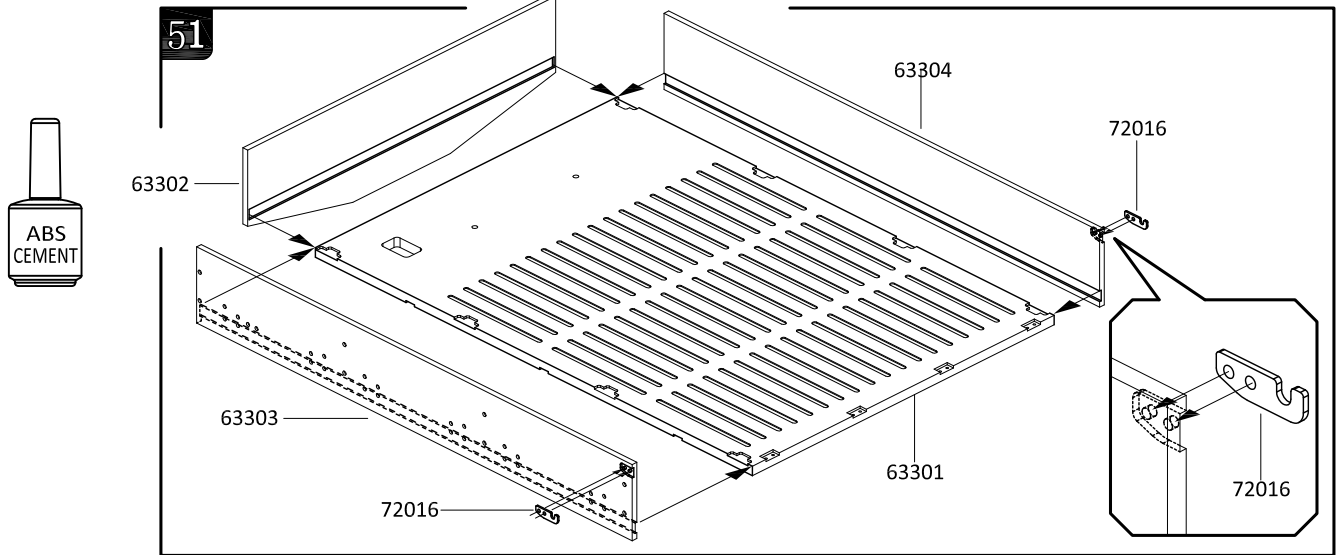
11802  ST1.4x4 X8



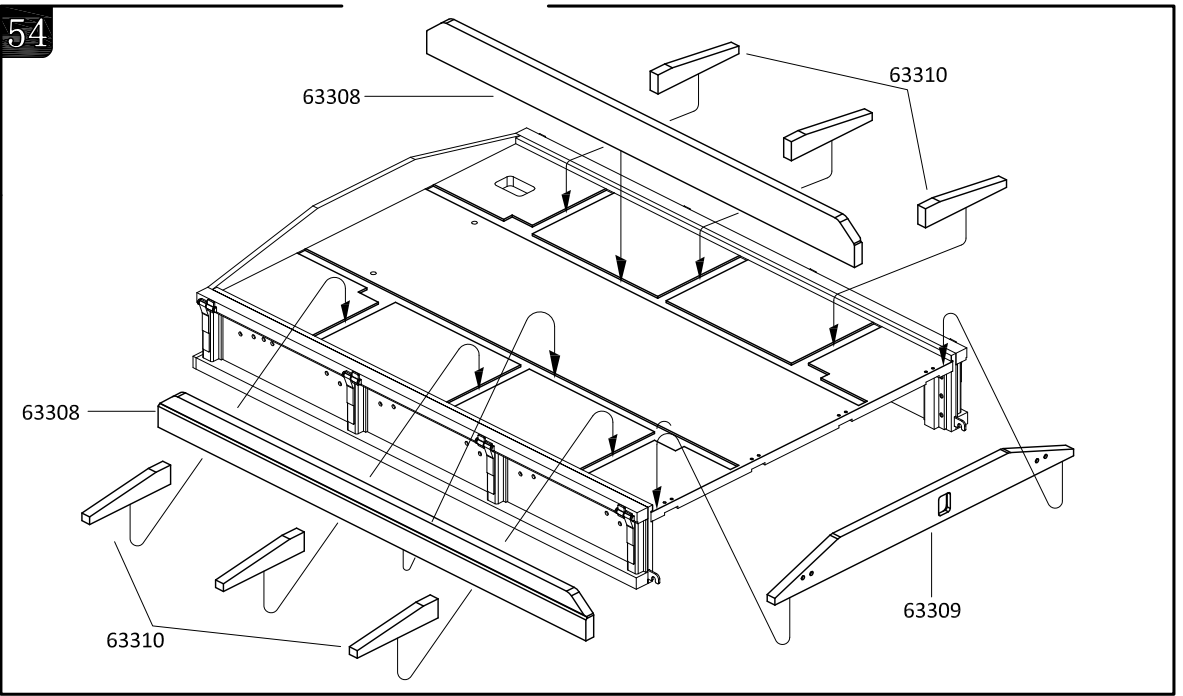
50

11704  M1.6x6 X2

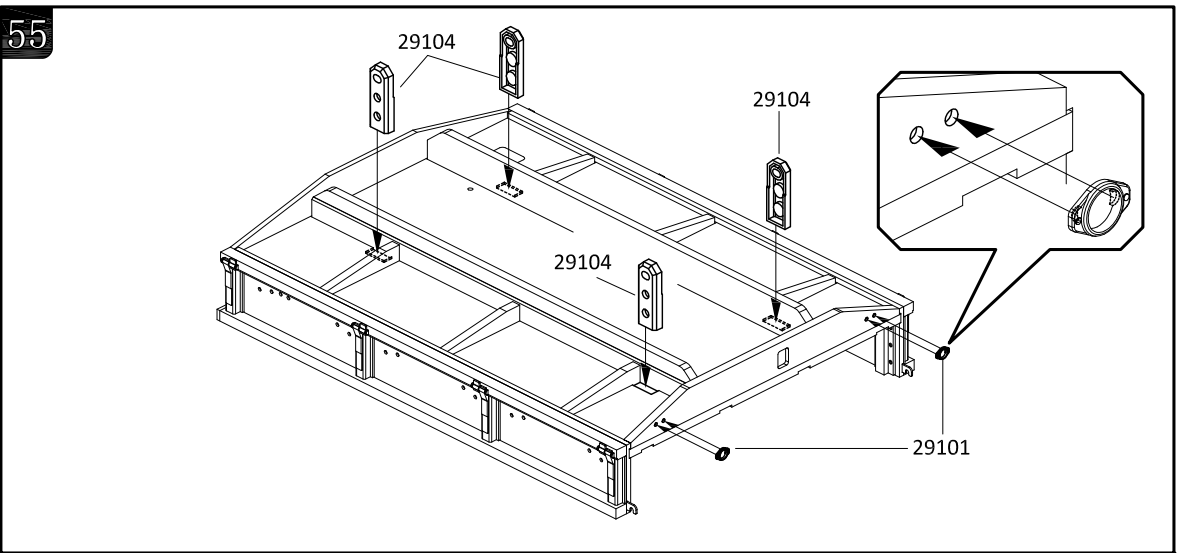




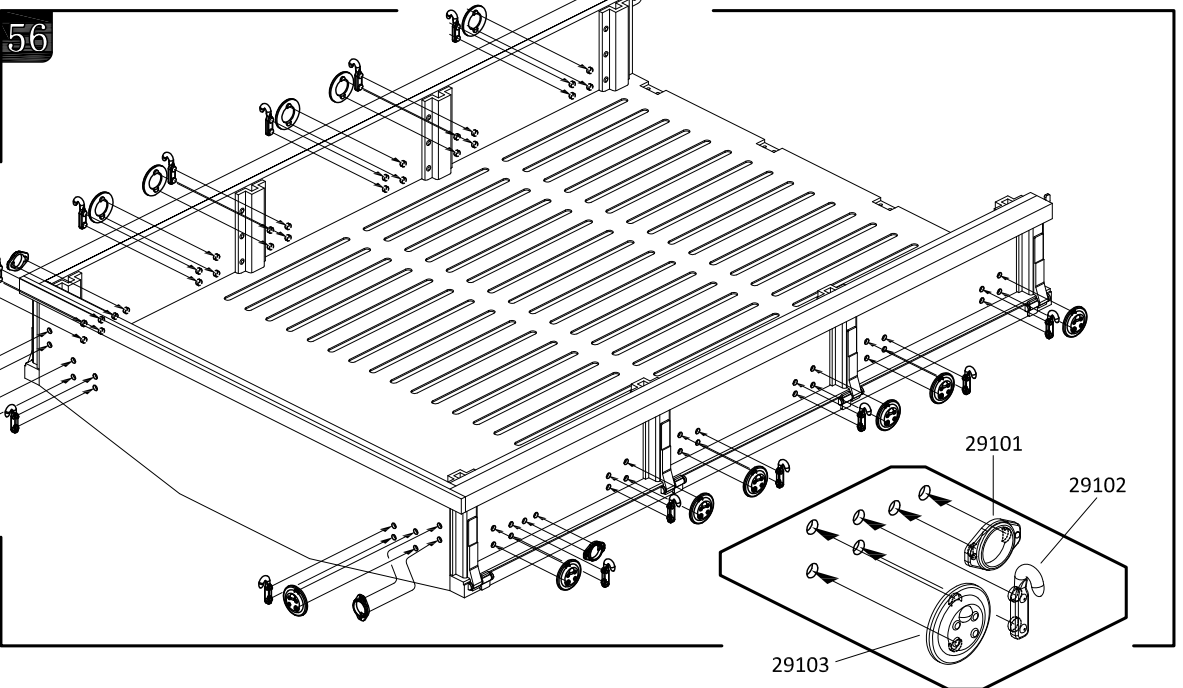
54




55

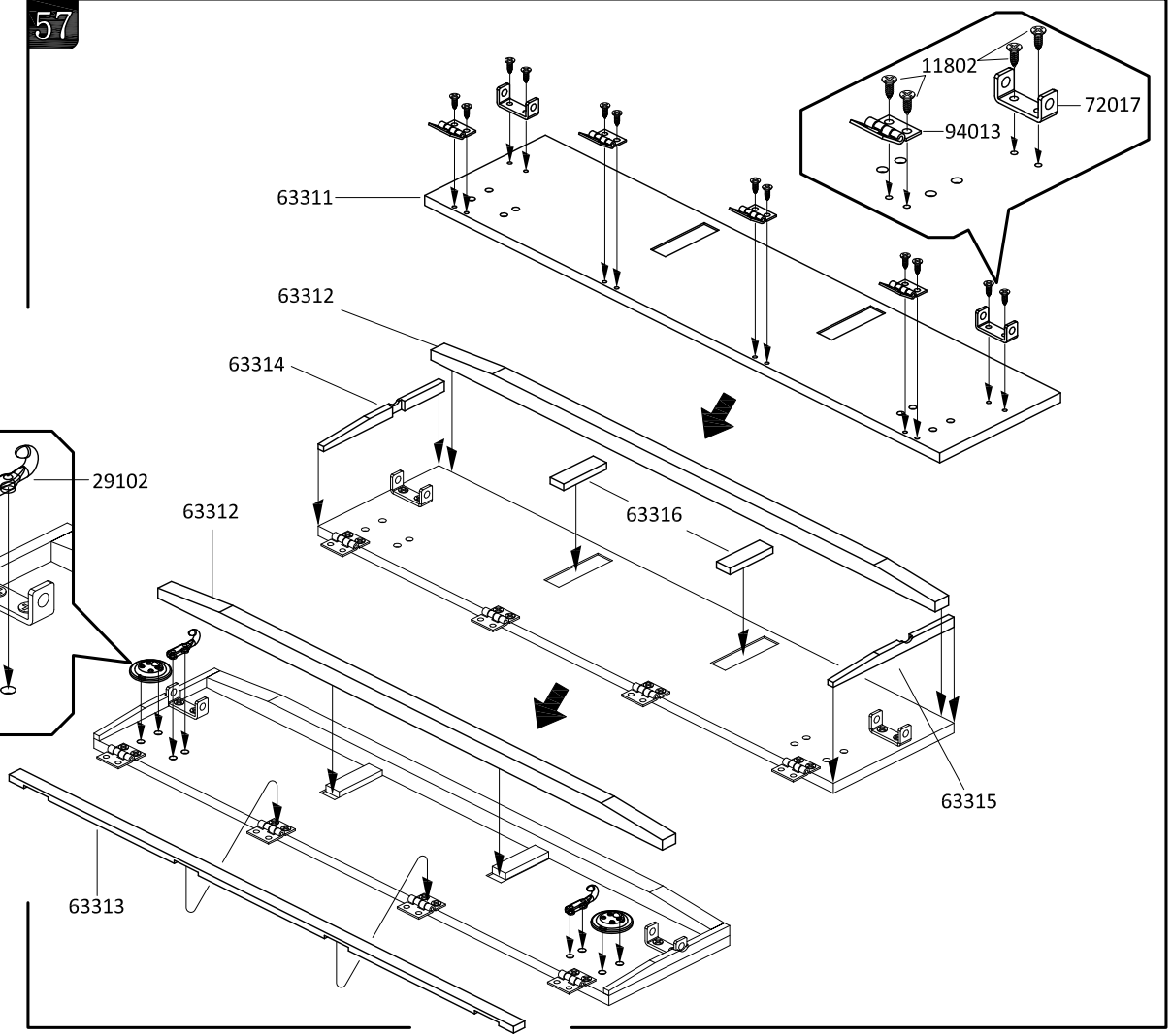
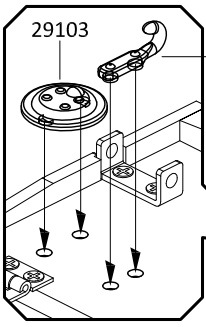


56




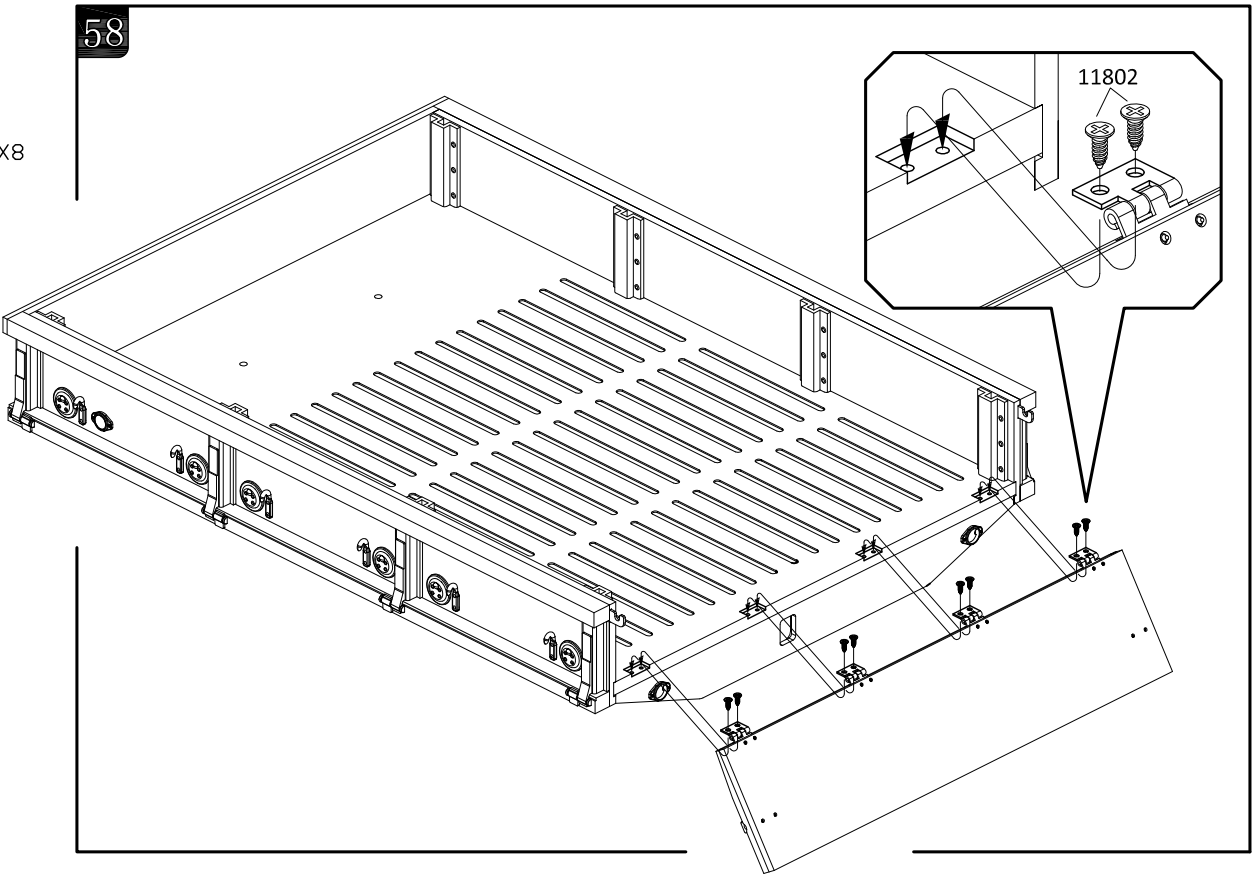
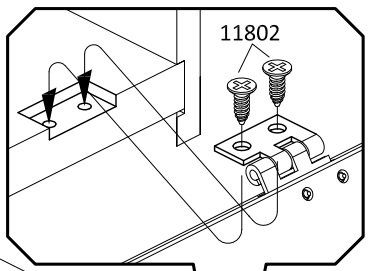
57

11802  ST1.4x4 X12

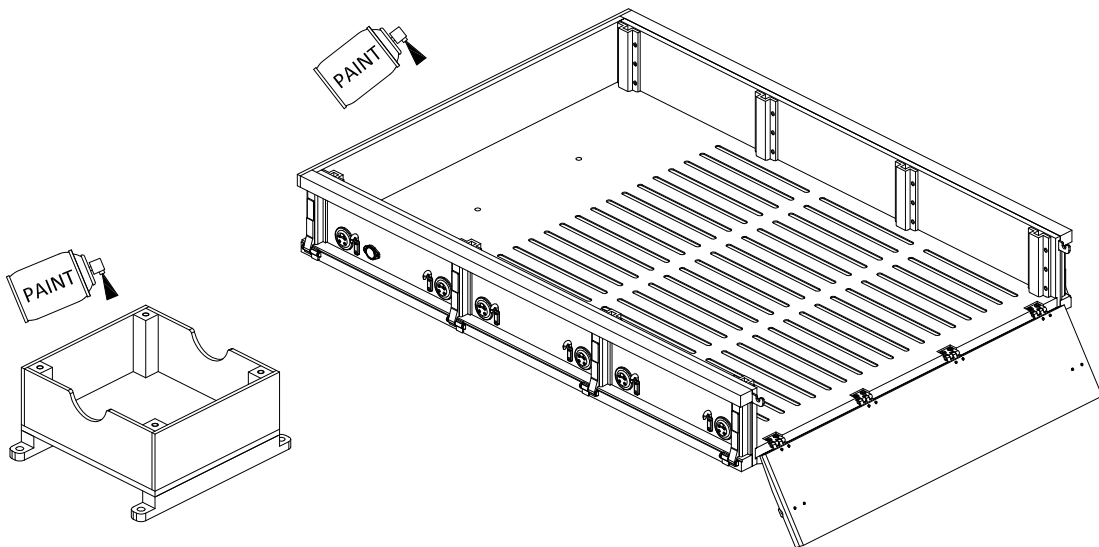
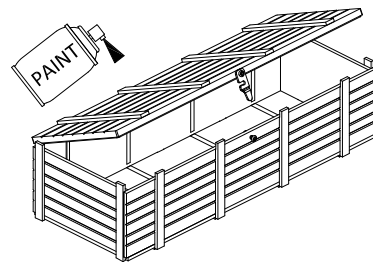
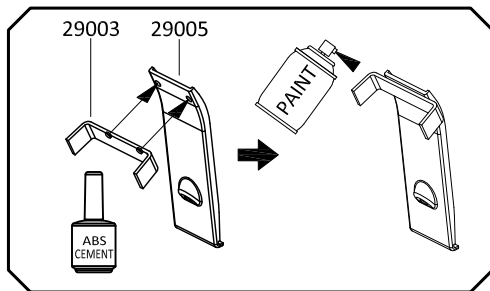


58


11802  ST1.4x4 X8

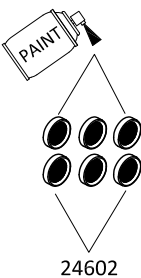
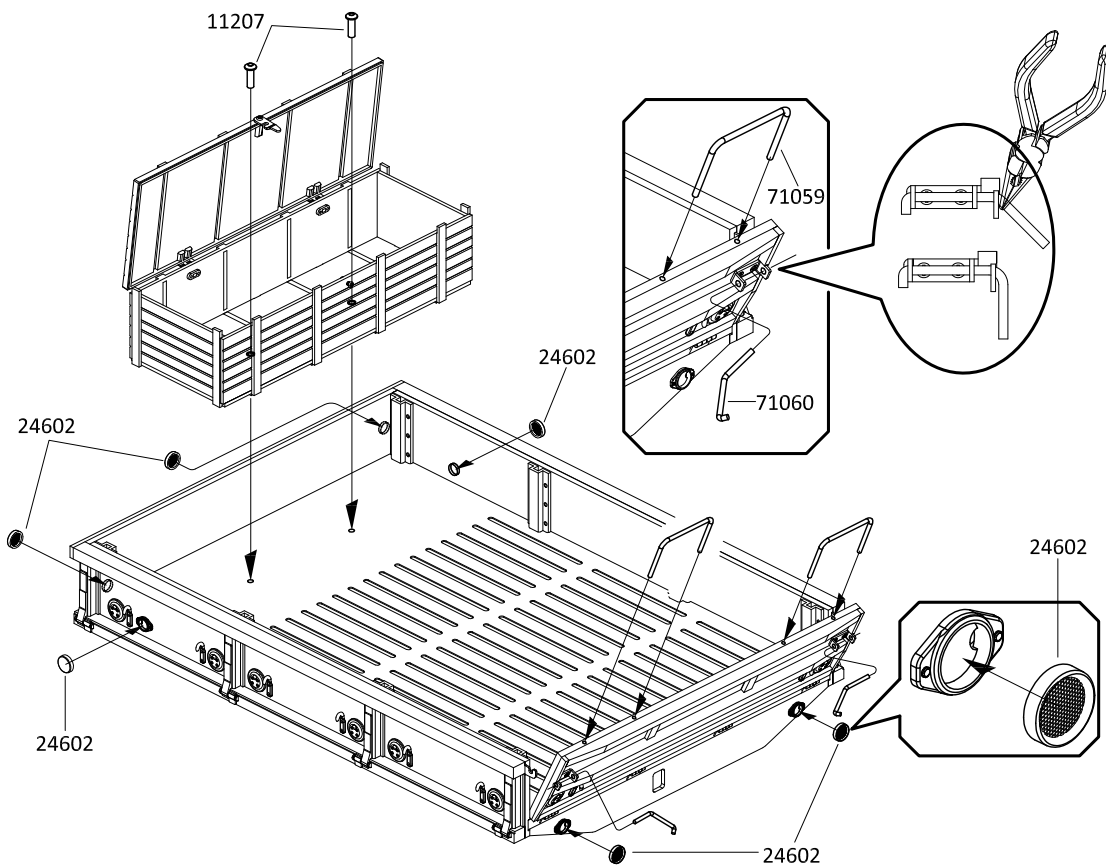


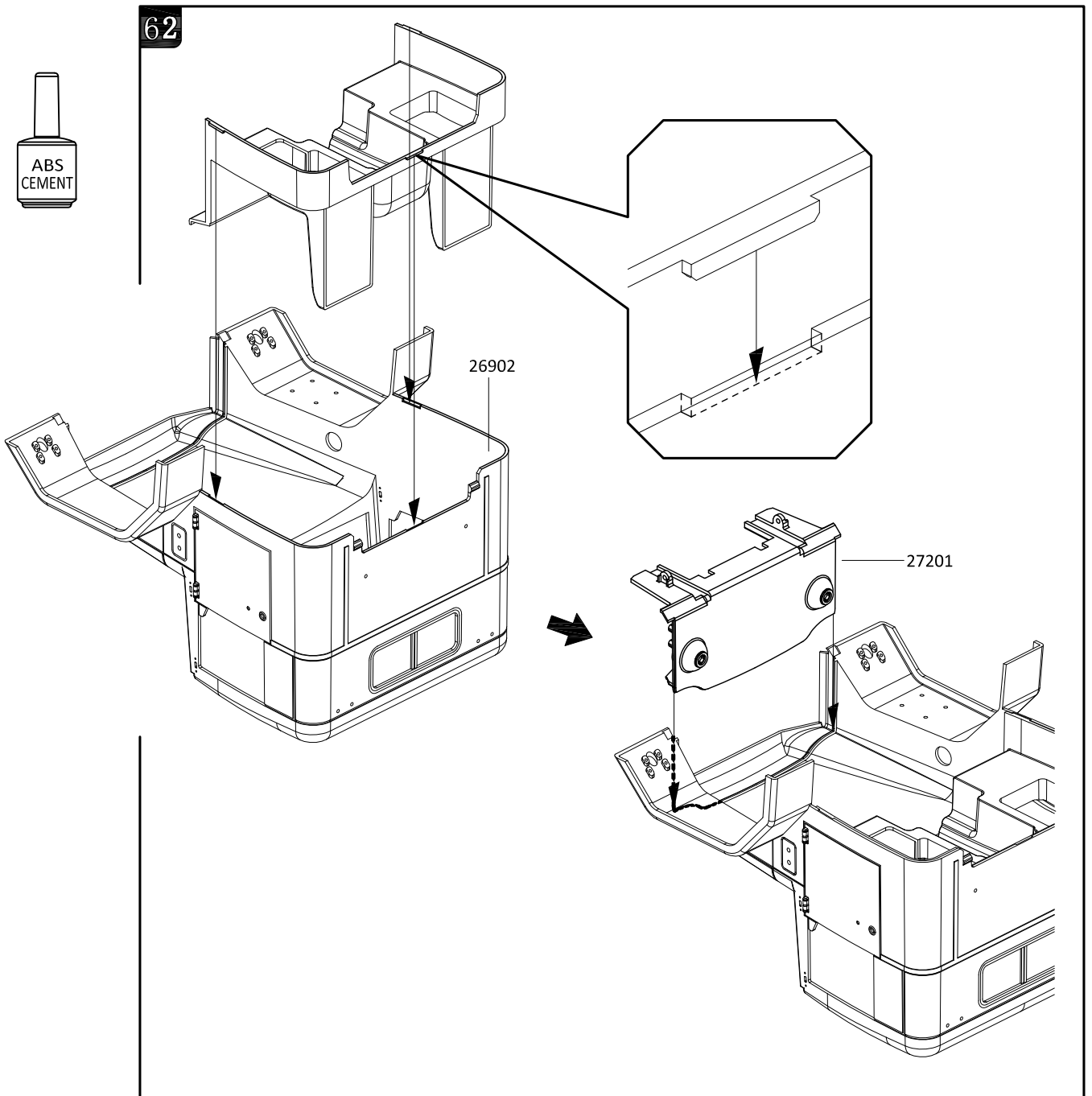
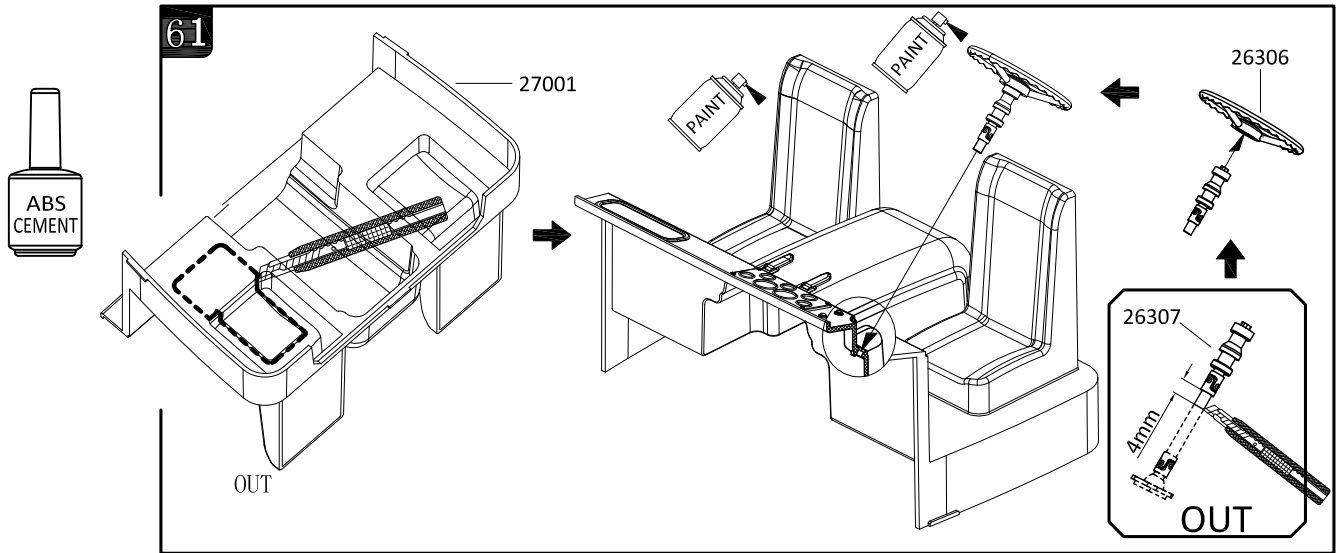
59



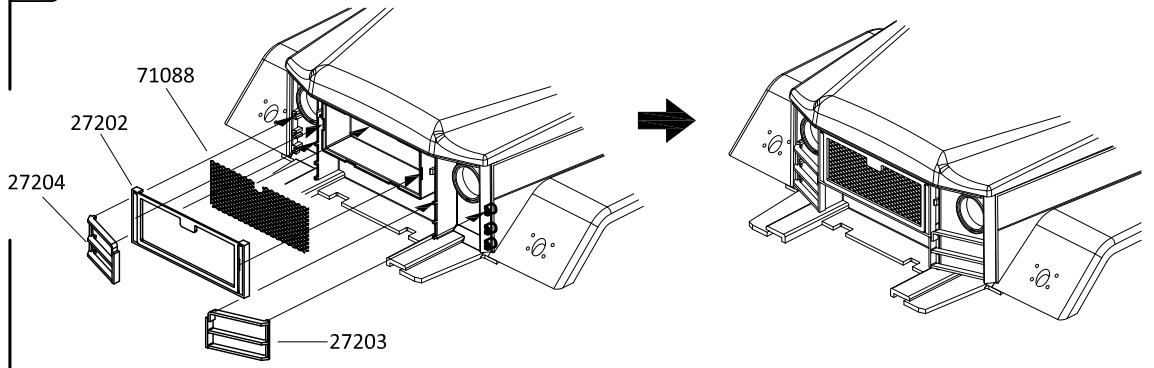
60

11207 
M3x10 X2

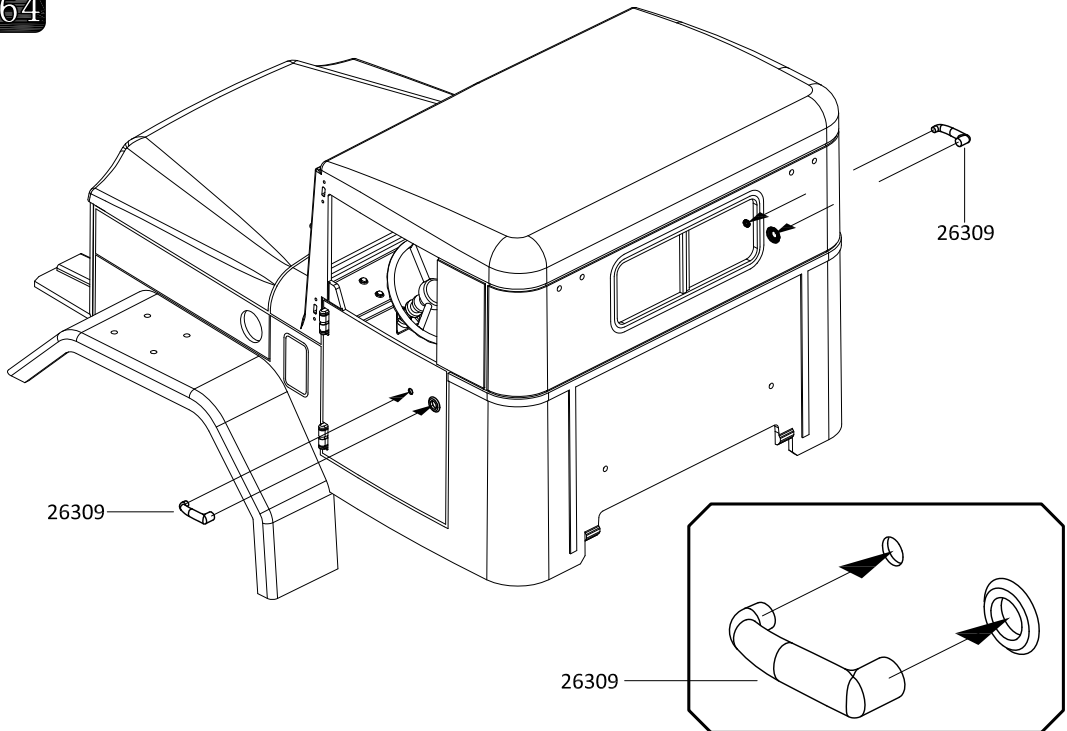




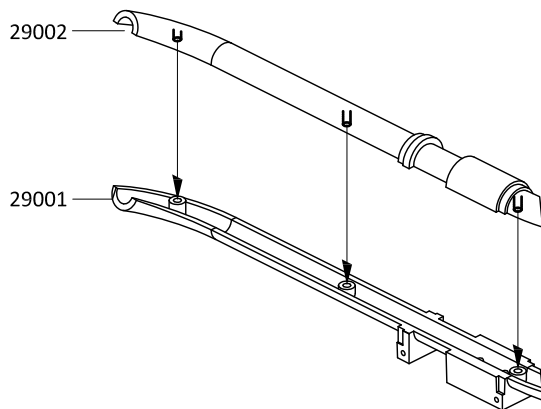
63



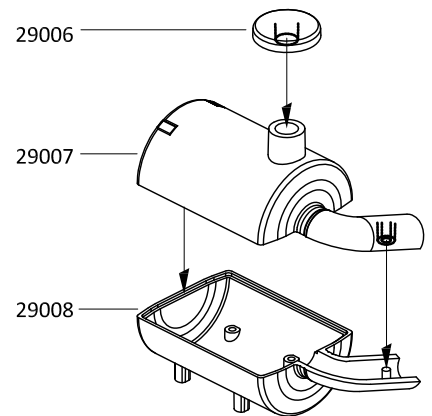
64



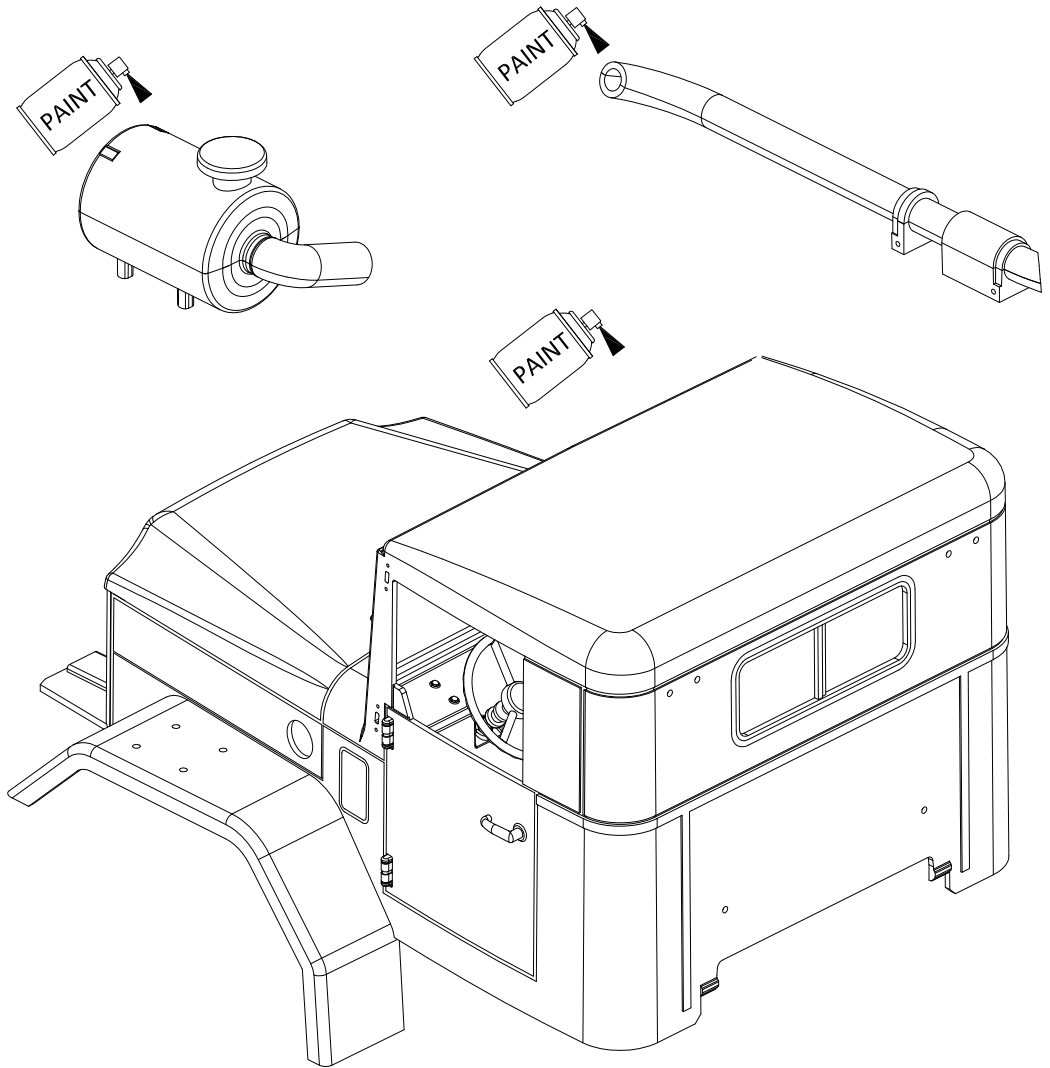
65



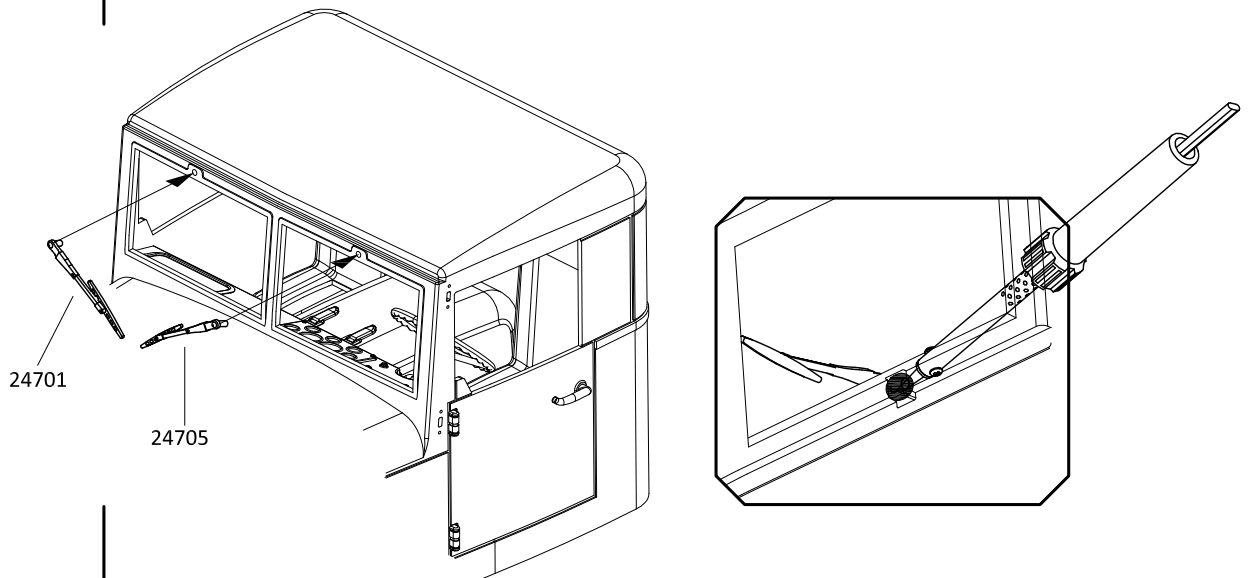
66



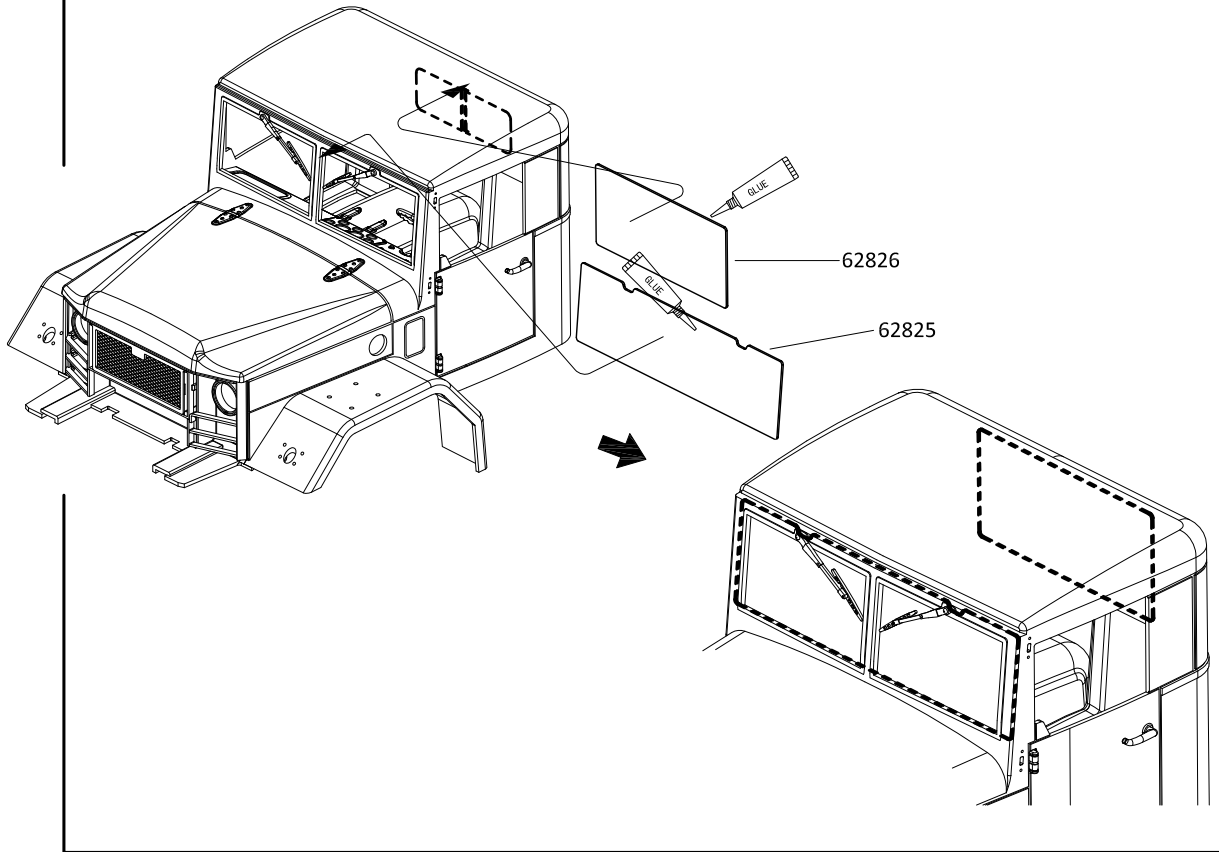
67




68

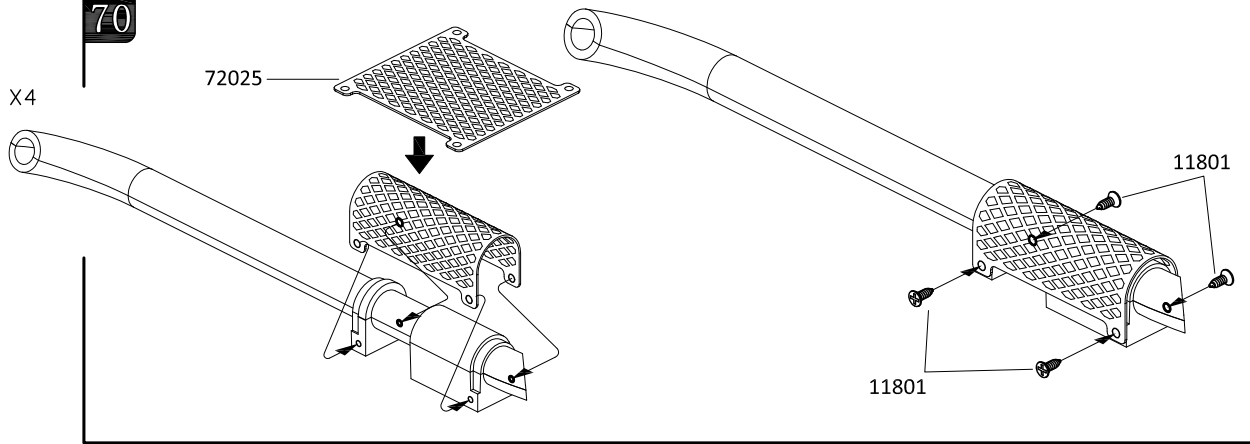


69

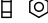



70

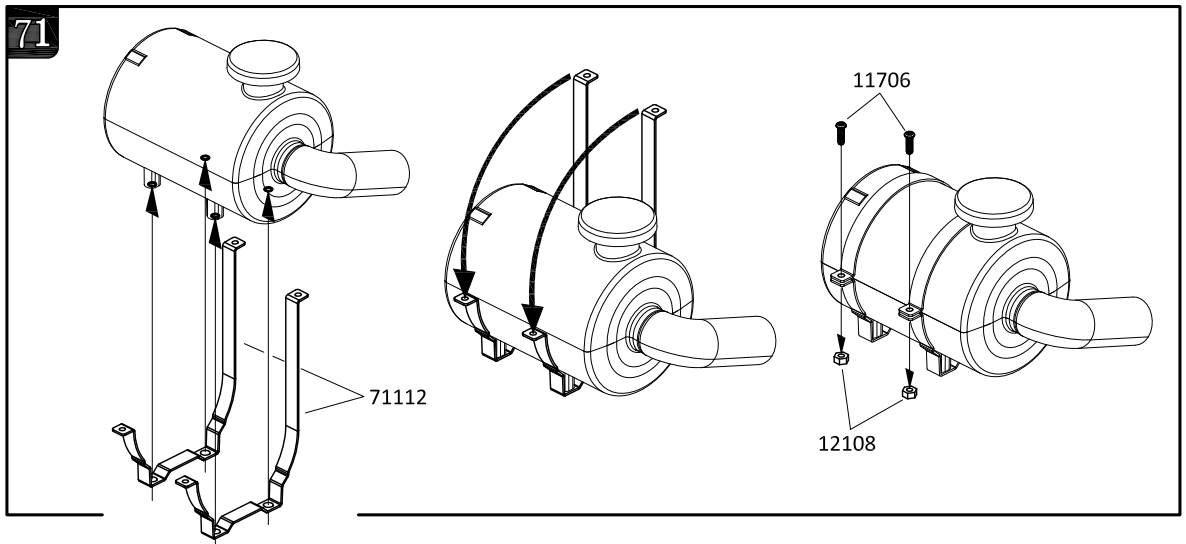
11801  ST1.4x6 X4



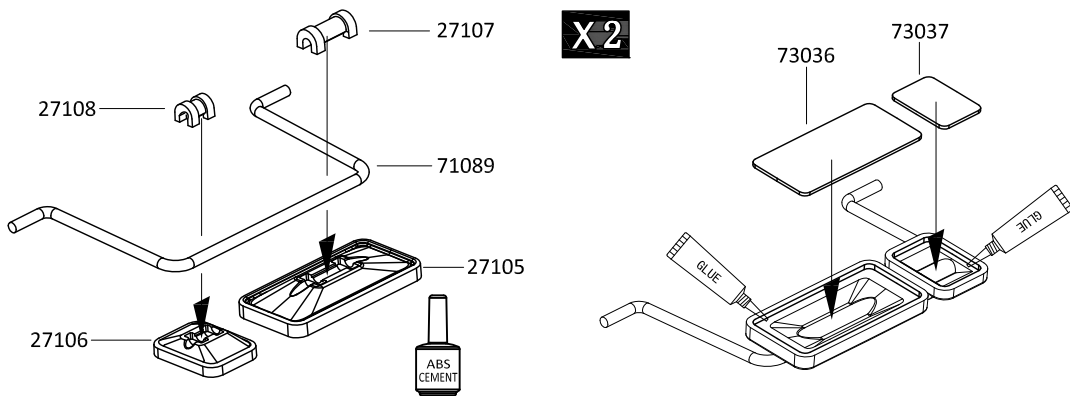
71

12108  M1.2 X2


11706  ST1.2x3 X2




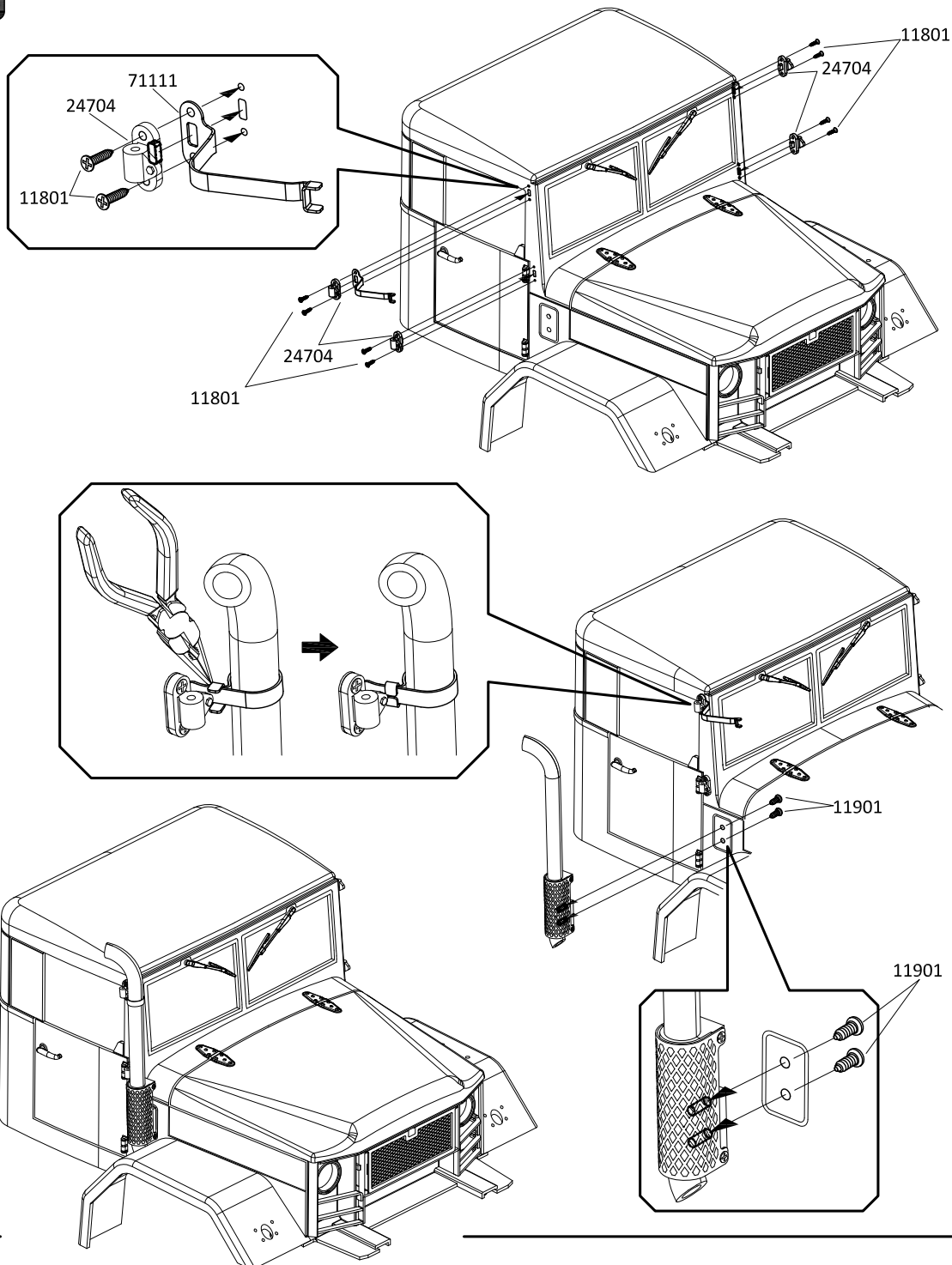
72




73

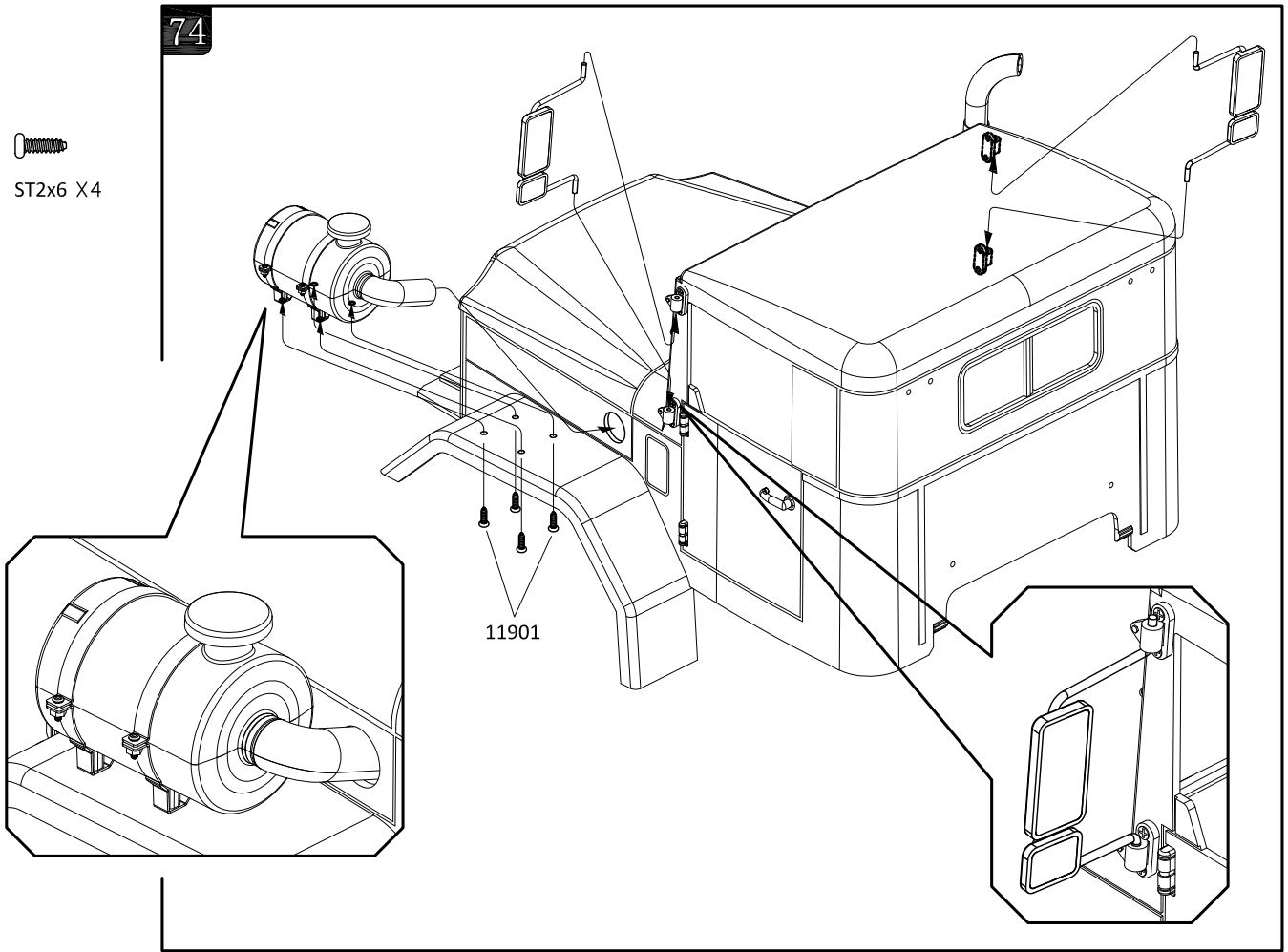
11801  ST1.4x6 X8

11901  ST2x6 X2






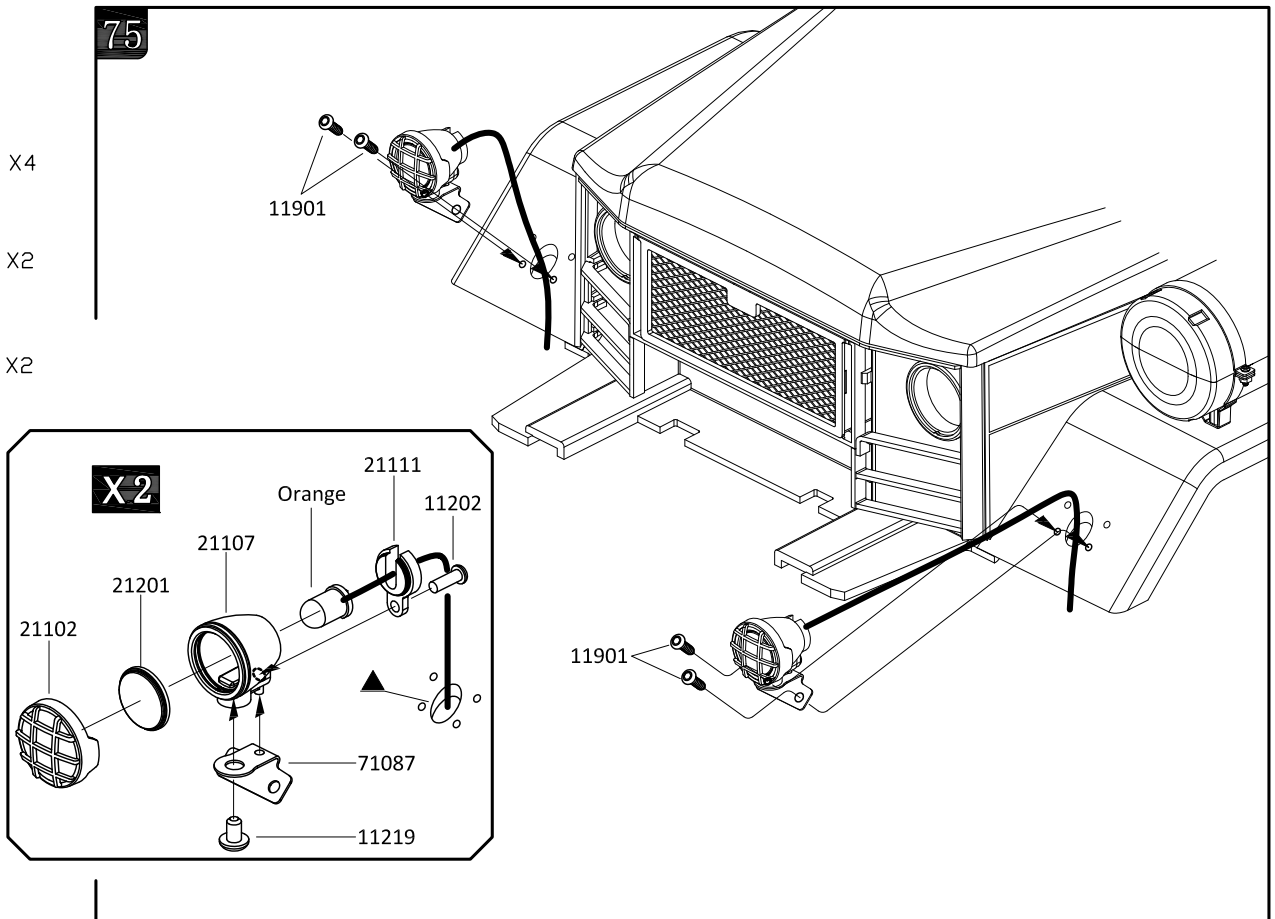
74

- 11901  ST2x6 X4

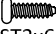


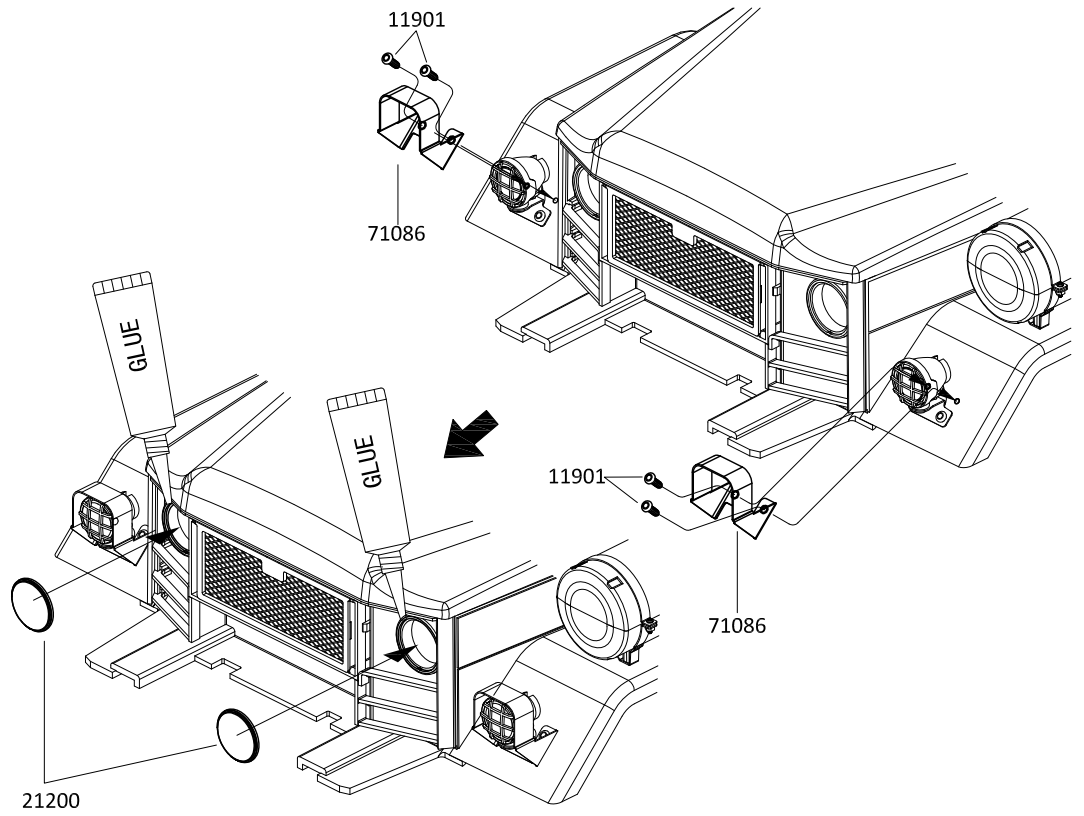
75

- 11901  ST2x6 X4
- 11202  M2x6 X2
- 11219  M3x4 X2

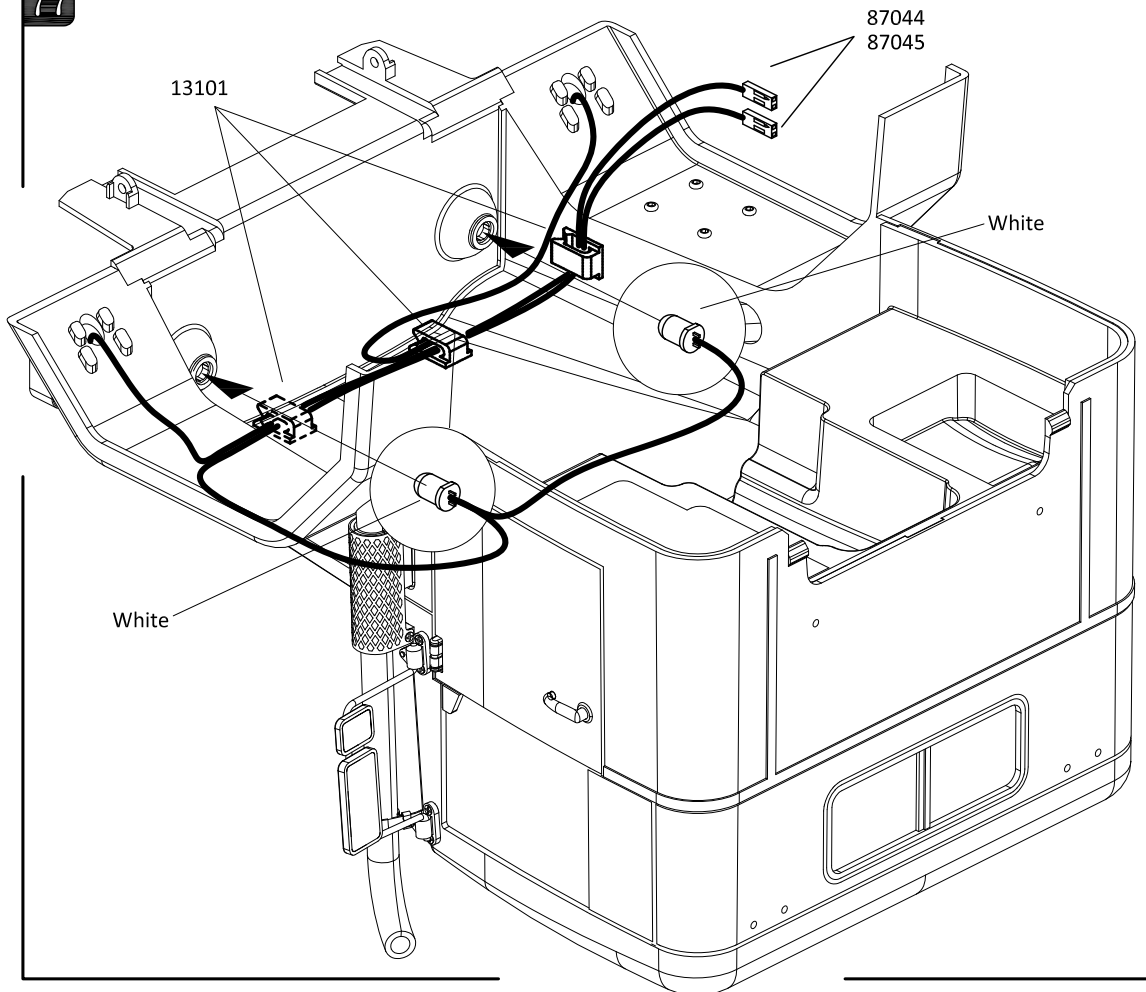


76

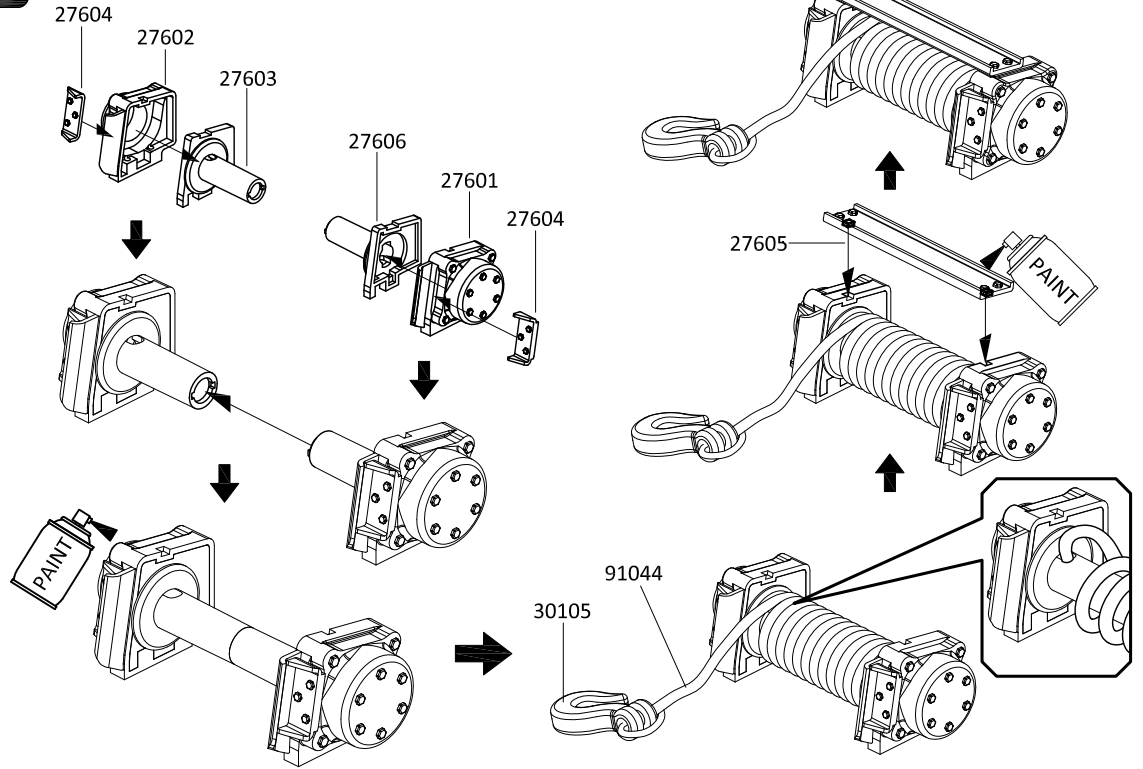
11901  ST2x6 X4





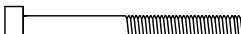
77

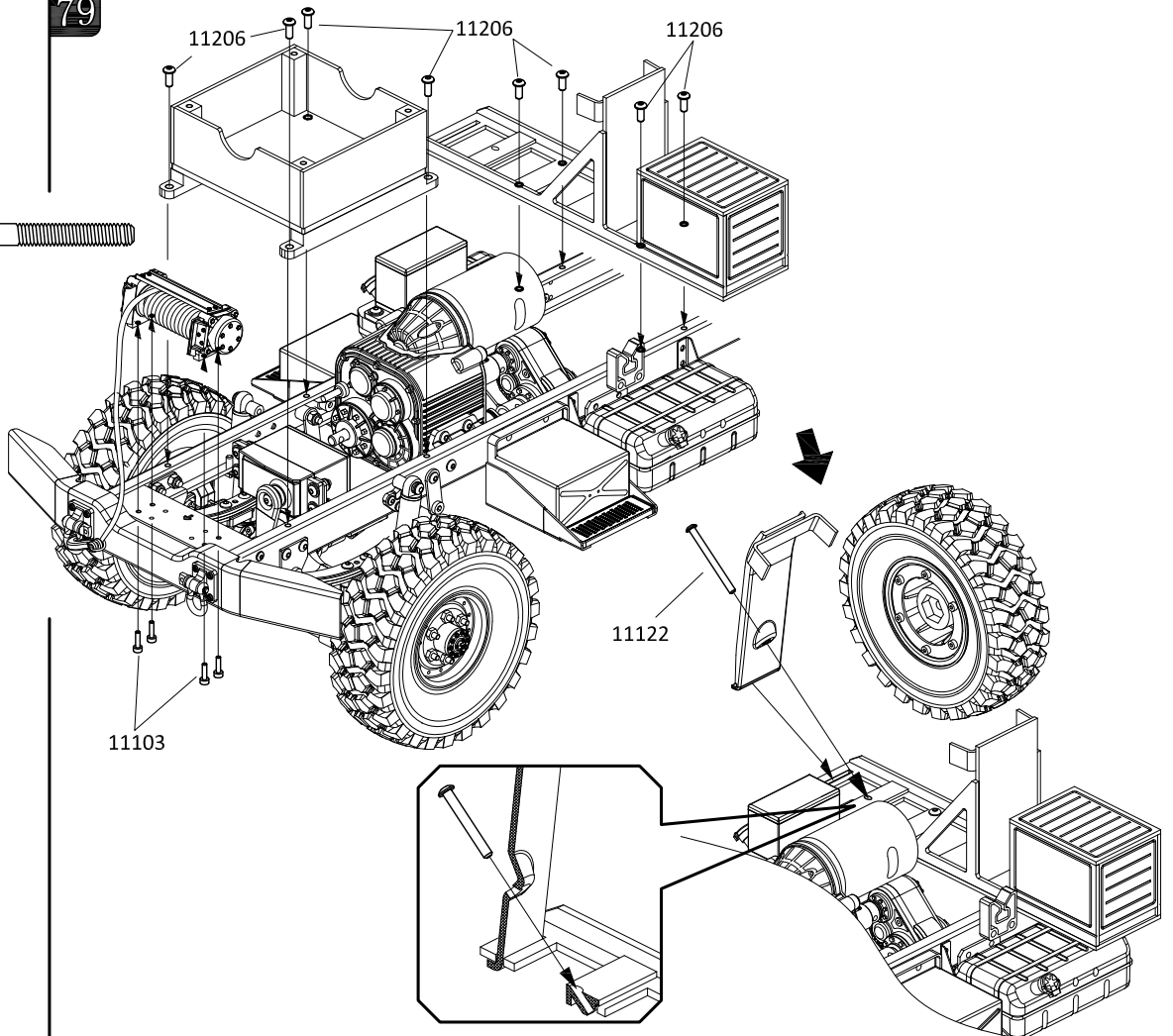


78





79

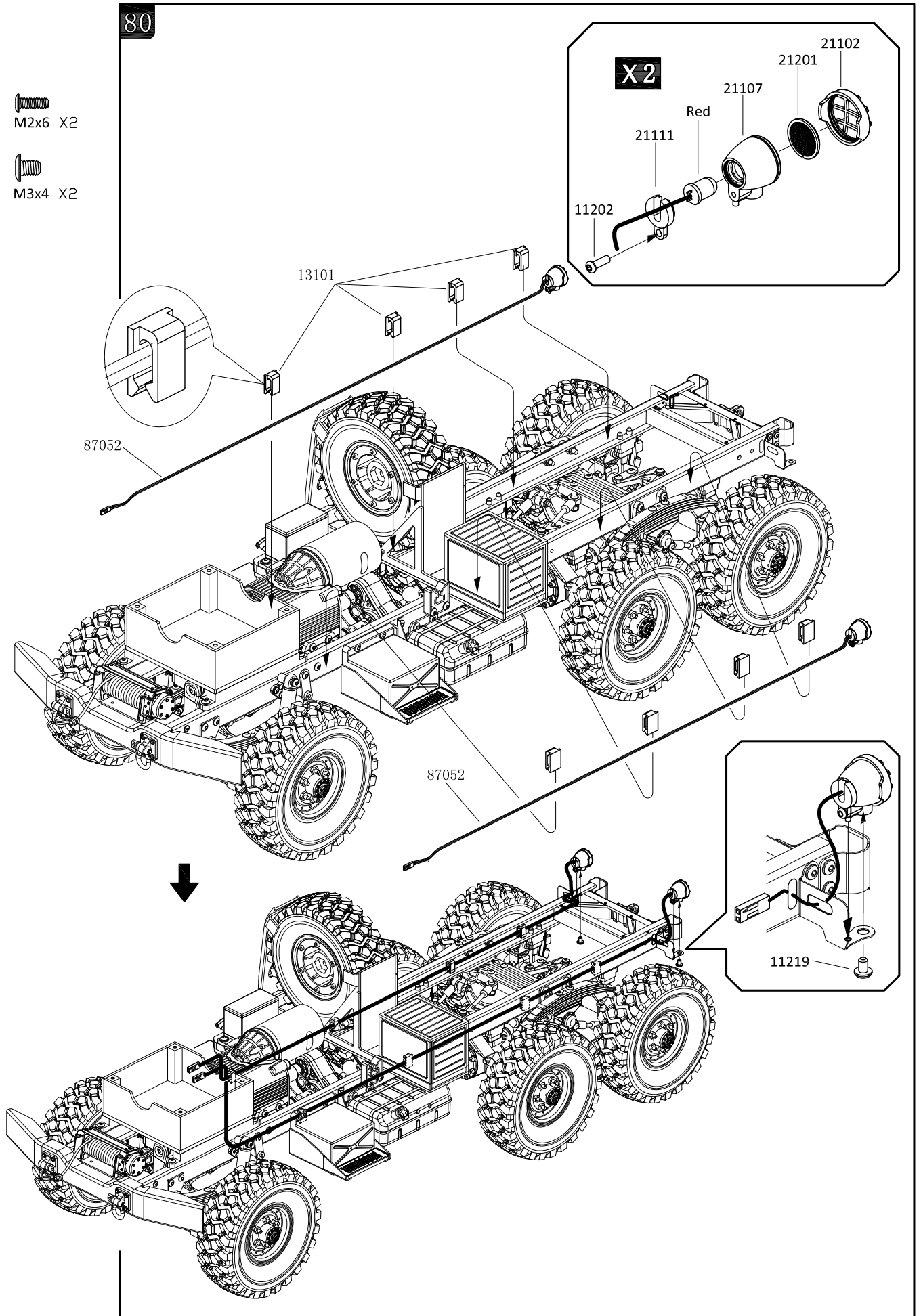
- 11103  M2x8 X4
- 11206  M3x8 X8
- 11122  M3x35 X1






80

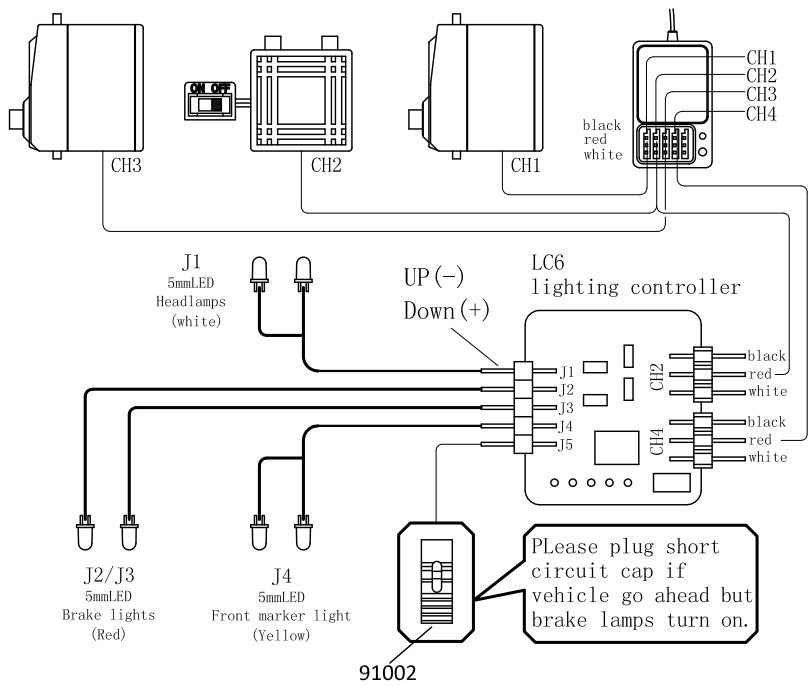
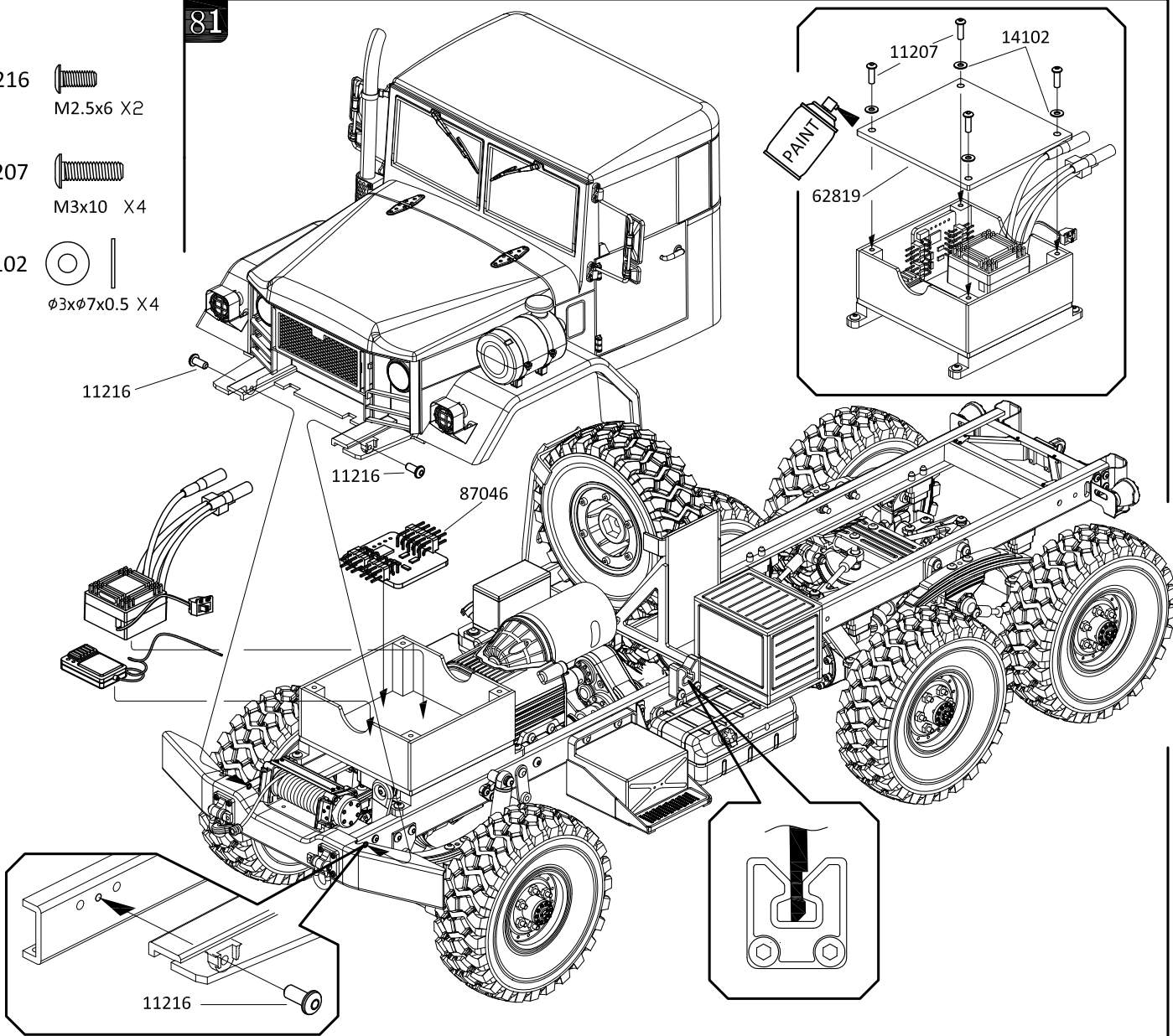
11202  M2x6 X2

11219  M3x4 X2



81


- 11216  M2.5x6 X2
- 11207  M3x10 X4
- 14102  $\phi 3 \times \phi 7 \times 0.5$ X4




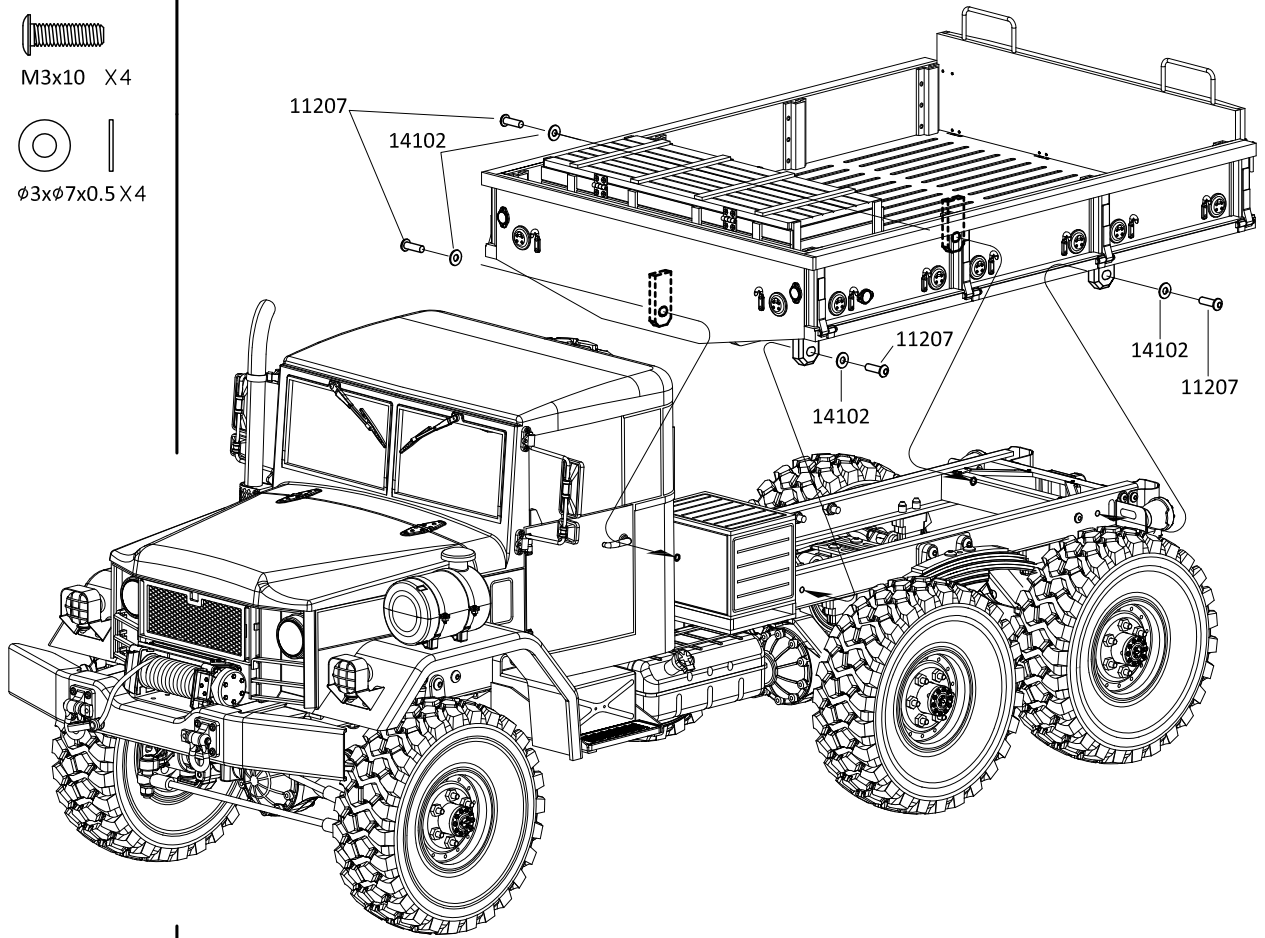
1. When not connected to the CH4, headlamps are normally on.
2. When connecting CH4, headlamps on and off can be controlled

Please plug short circuit cap if vehicle go ahead but brake lamps turn on.

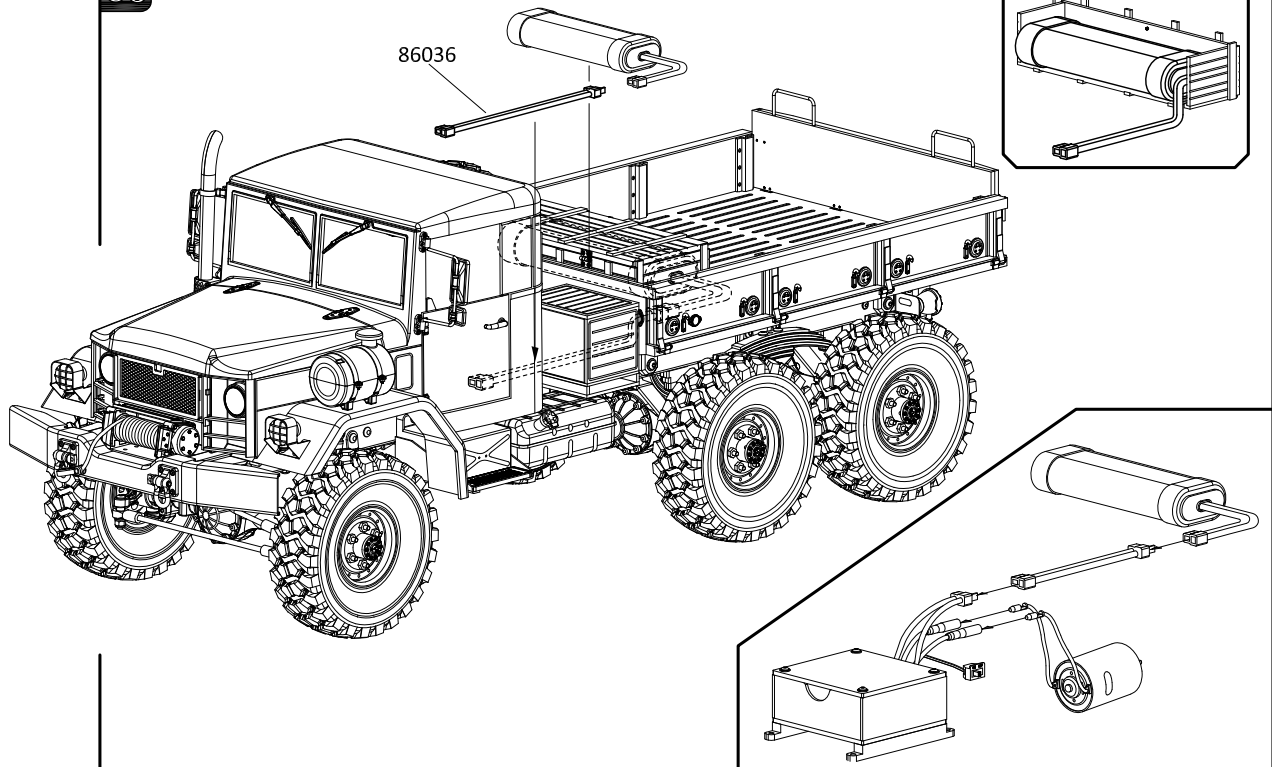
82

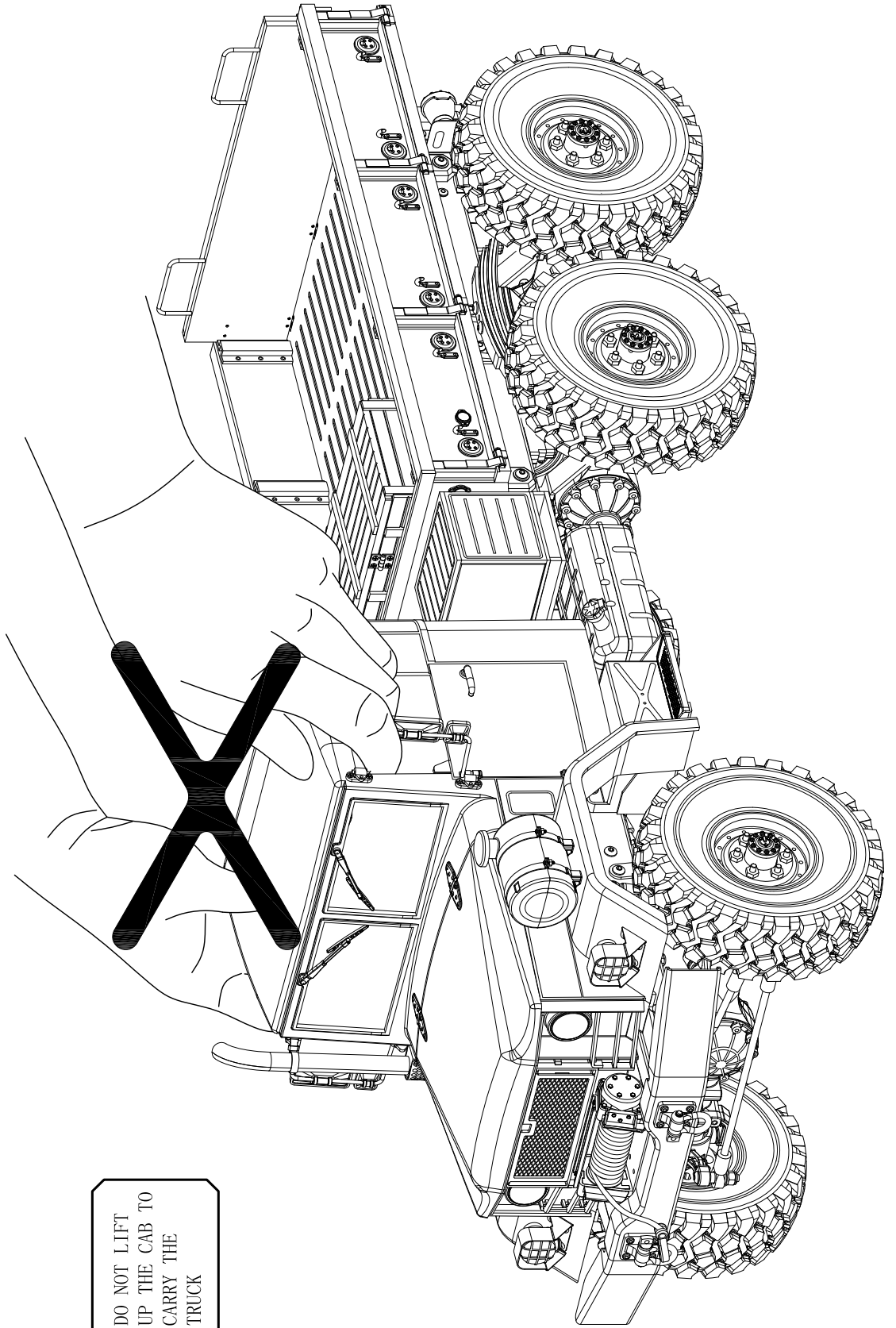
11207 
M3x10 X4

14102 
Ø3xØ7x0.5 X4



83





! •
DO NOT LIFT
UP THE CAB TO
CARRY THE
TRUCK