

HC4

CROSSRC

1/10 SCALE 4X4
OFF ROAD TRUCK
R/C MODEL

PREMIUM
Quality
GUARANTEED

WWW.CROSS-RC.COM



USER'S MANUAL

CAUTIONS



To prevent serious personal injury and/or property damage, operate all remotely controlled models in a responsible manner as outlined herein.

◆ Safety Precautions

- 1.1 Choose a right place to operate your RC model.
- 1.2 Do not operate your RC model on the street or highway. It can cause a serious damage or a serious accident.
- 1.3 Never operate your RC model near people or animals.
- 1.4 Do not operate RC model in public places like hospital and residential areas.
- 1.5 Never operate RC model indoors. There is a higher possibility of fire or damage.
- 1.6 Keep the parts out of reach of children, small parts can cause choking and vinyl bags can suffocate.
- 1.7 Do not use with children younger than 14 years.

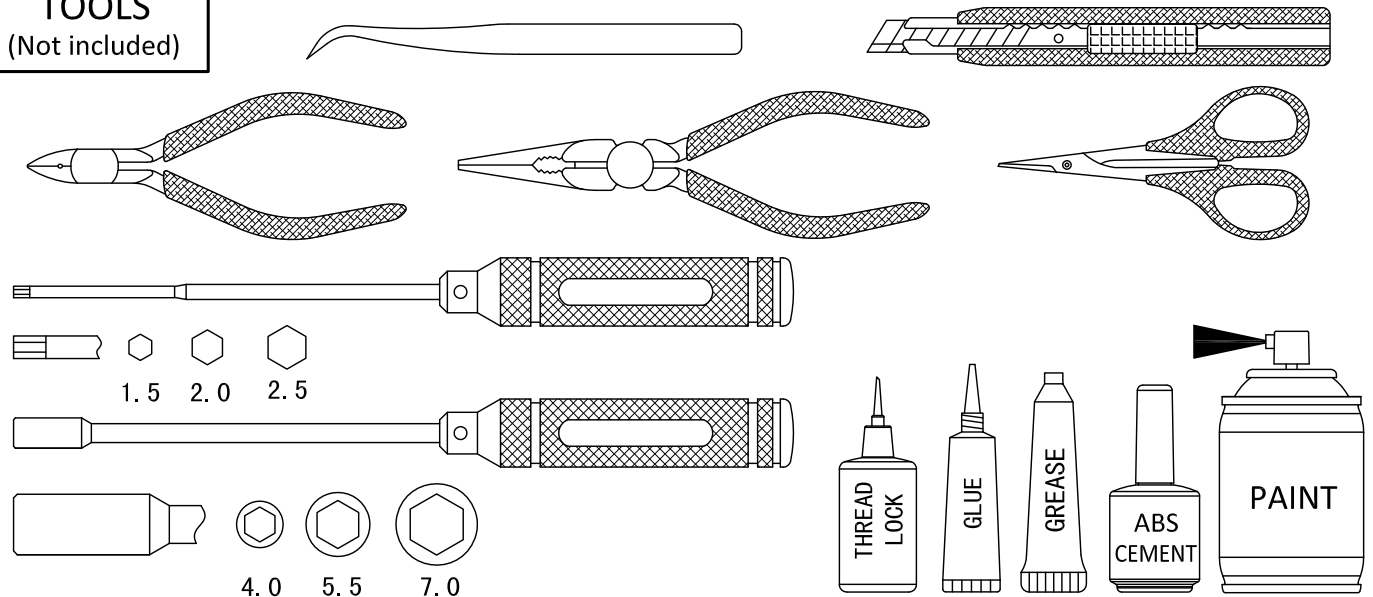
◆ Inspect your RC model before operation

- 2.1 Make sure that all screws and nuts are properly tightened. It is also a good idea to use removable thread lock wherever metal screws go into metal, especially for engine mounts and the engine pilot shaft.
- 2.2 Always use fresh batteries for your transmitter and for your receiver to avoid losing control of the model.
- 2.3 Always test the brakes and throttle before starting your engine to avoid losing control of the model.
- 2.4 Always turn on the transmitter first, and then turn on the receiver.

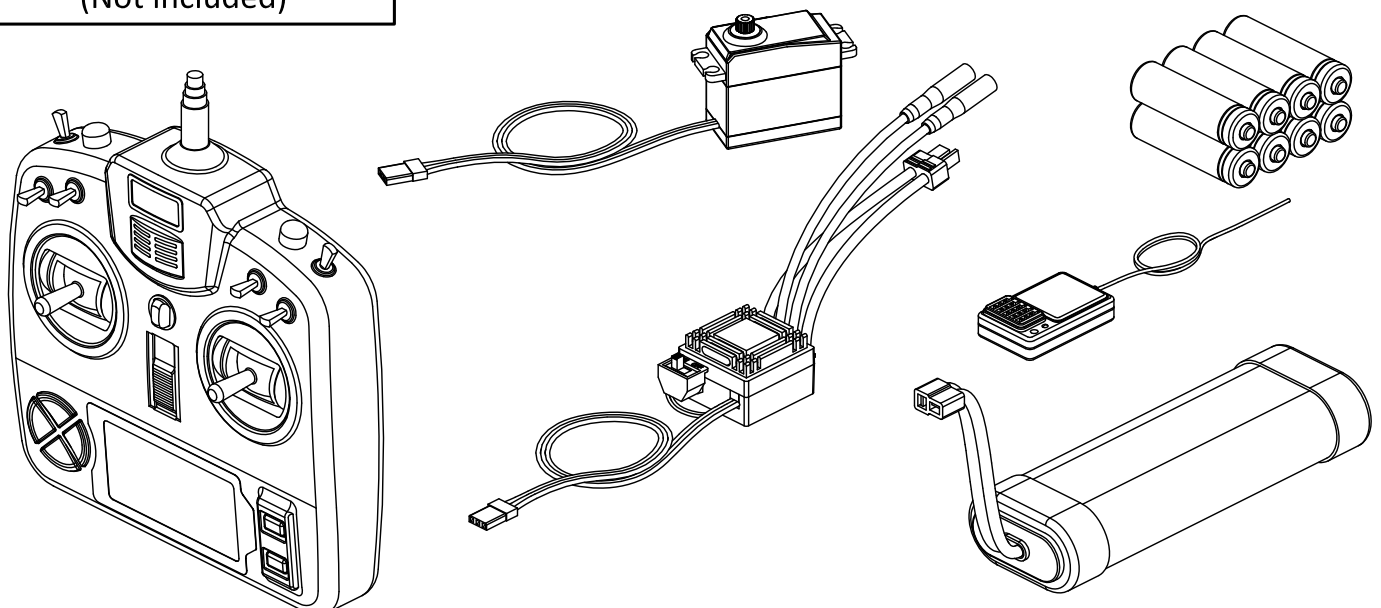
◆ After operation of your RC model

- 3.1 Turn off receiver first, then turn off transmitter, this will prevent runaways.
- 3.2 Be careful when handling batteries, they will be hot after running.
- 3.3 Replace any batteries that have been dented or have frayed wires, short circuits can cause fire.

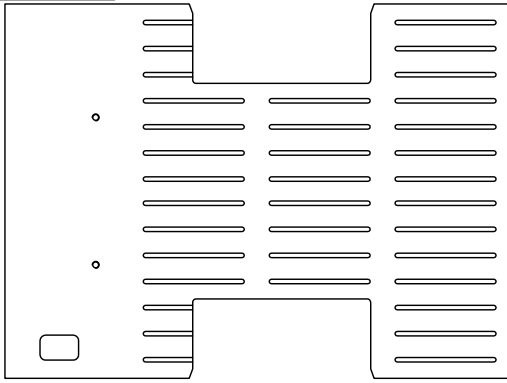
TOOLS (Not included)



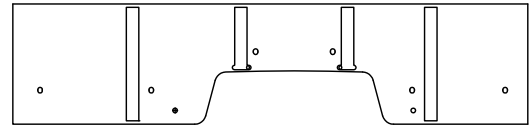
Electronic equipment (Not included)



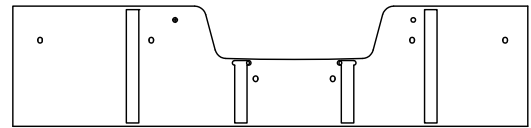
PLANK



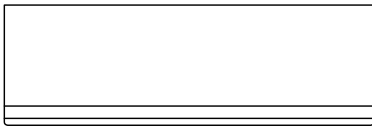
62801 X1



62802 X1



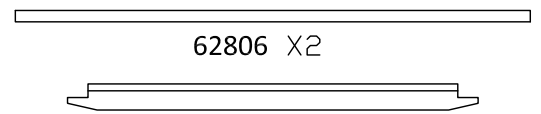
62803 X1



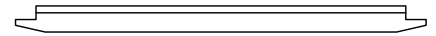
62804 X1



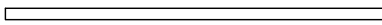
62805 X1



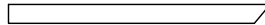
62806 X2



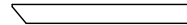
62807 X1



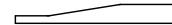
62808 X2



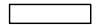
62809 X2



62810 X2



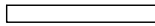
62811 X8



62812 X4



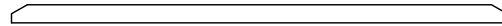
62813 X4



62814 X4



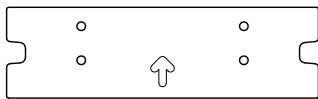
62815 X4



62816 X2



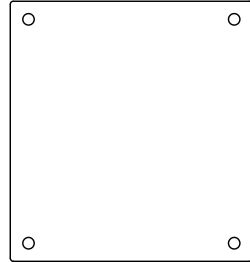
62033 X4



62817 X1



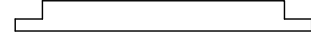
62818 X1



62819 X1



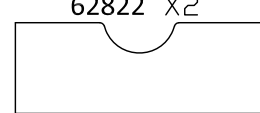
62820 X1



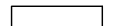
62821 X2



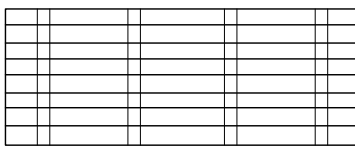
62822 X2



62823 X2



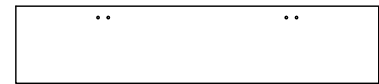
62824 X4



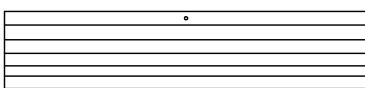
62901 X1



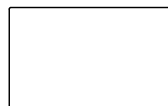
62902 X1



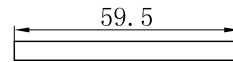
62903 X1



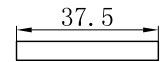
62904 X1



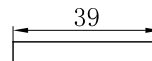
62905 X2



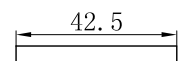
62906 X8



62908 X4



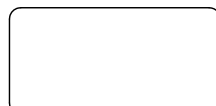
62907 X4



62909 X4

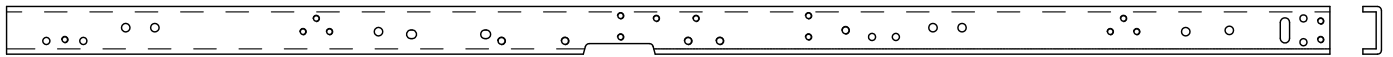


62825 X1

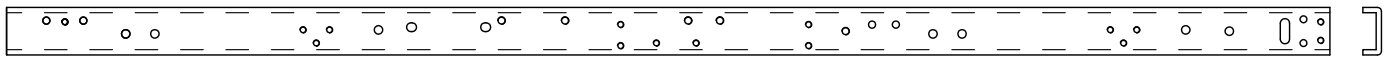


62826 X1

FRAMES



43201 X1



43202 X1

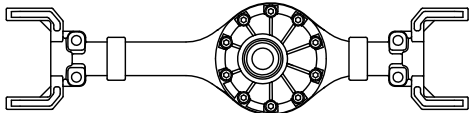
AXLES

11104 M2x10 X4

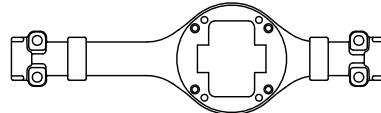
11126 M2x14 X8

11207 M3x10 X4

13004 $\phi 2 \times \phi 5.5 \times 0.4$ X2

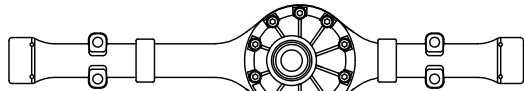


31001 X1

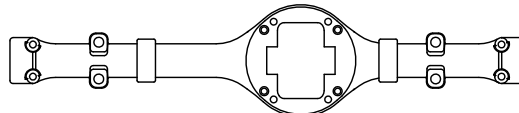


31002 X1

13002 $\phi 3.8 \times \phi 9.2 \times 0.6$ X4

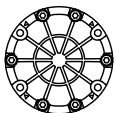


31101 X1

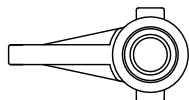


31102 X1

15003 $\phi 5 \times \phi 10 \times 4$ X10



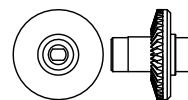
31201 X2



31203 X2



32101 X2

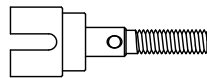


32102 X2

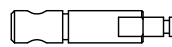
15004 $\phi 10 \times \phi 15 \times 4$ X6



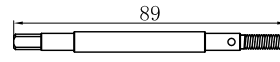
41205 X4



41208 X2

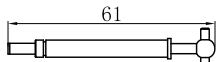


41246 X2

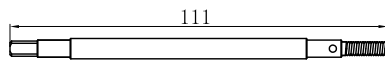


41247 X1

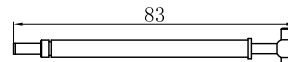
72007 $\phi 5 \times \phi 8 \times 0.3$ X2



41248 X1



41249 X1



41250 X1

72008 $\phi 10.2 \times \phi 15 \times 0.2$ X4

TRANSFER BOX

13002 $\phi 3.8 \times \phi 9.2 \times 0.6$ X3

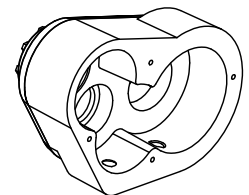
72007 $\phi 5 \times \phi 8 \times 0.3$ X2

11103 M2x8 X4

15003 $\phi 5 \times \phi 10 \times 4$ X6

41253 X1

41256 X1



31301 X1

15006 $\phi 5 \times \phi 11 \times 4$ X2

41254 X1

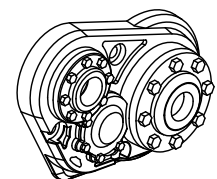
41257 X1

72003 $\phi 5 \times \phi 8 \times 0.5$ X1

41255 X1


41258 X1


41259 X3

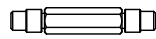


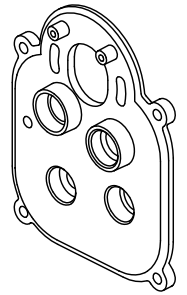
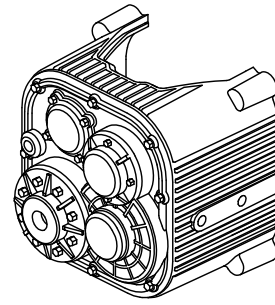
31302 X1

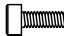
TRANSMISSION GEAR BOX


11401  M3x4 X1


13003  | $\phi 2.5 \times \phi 6 \times 0.4$ X2


41260  X1




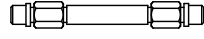
11102  M2x6 X2

13002  | $\phi 3.8 \times \phi 9.2 \times 0.6$ X10

41261  X1

11106  M3x8 X2


15003  | $\phi 5 \times \phi 10 \times 4$ X12


41262  X1

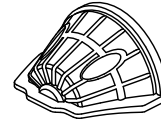
31401 X1

31402 X1

11219  M3x4 X3


72003  | $\phi 5 \times \phi 8 \times 0.5$ X2


41263  X1

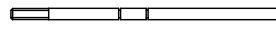



31403 X1

31404 X1


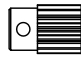
11207  M3x10 X4

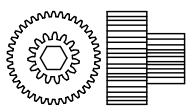
72007  | $\phi 5 \times \phi 8 \times 0.3$ X2

41129  X1

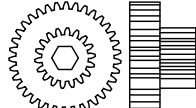
41307  X1

31405  X1

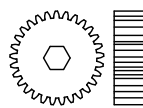
41304(18T)  |  X1



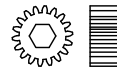
25201 X1



25202 X1



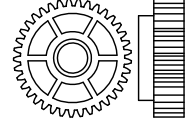
25203 X1



25204 X1



25205 X1



25206 X1

BAG (A)

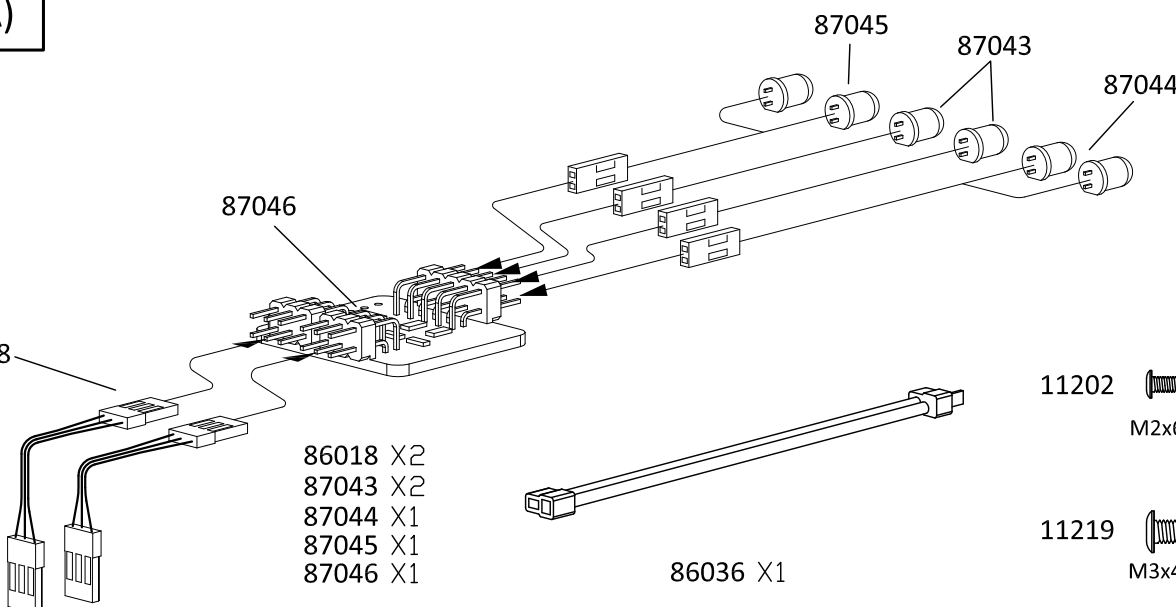
86018 

87046 

87045 


87043 

87044 



86018 X2
87043 X2
87044 X1
87045 X1
87046 X1

86036 X1

11202  M2x6 X4

11219  M3x4 X4



13101 X11



21102 X4



21107 X4



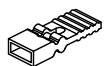
21111 X4



21200 X2





21201 X4





91002 X1


BAG (B)

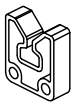
12303  M3 X1

11202  M2x6 X8

11402  M3x10 X6

11704  M1.6x6 X2

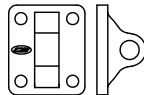
11802  ST1.4x4 X8



21804 X2



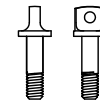
30104 X1



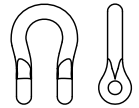
30113 X2



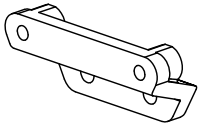
30310 X4



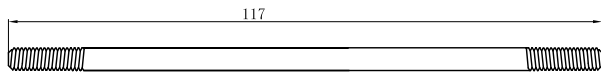
30402 X2



30411 X2



32203 X2



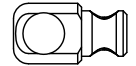
41102 X1



41104 X1



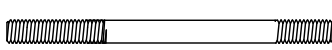
41123 X4



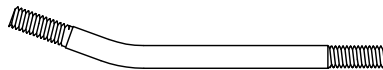
41144 X1



41145 X1



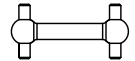
41146 X1



41152 X1



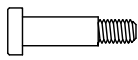
41209 X4



41284 X1



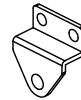
41285 X2



41308 X8



41324 X2



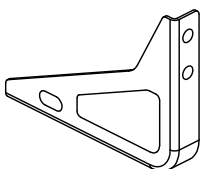
71010 X4



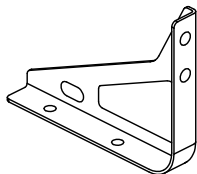
71011 X4



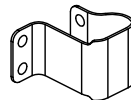
71012 X8



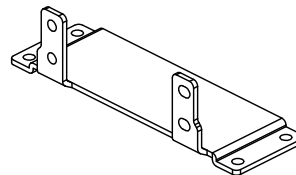
71065 X2



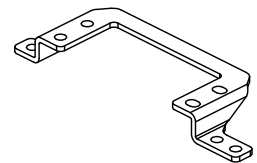
71066 X2



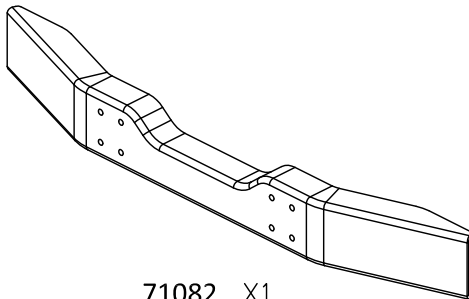
71067 X2



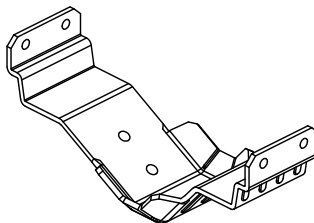
71068 X1



71069 X1



71082 X1



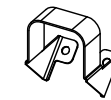
71083 X1



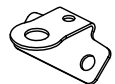
71084 X1



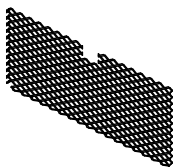
71085 X1



71086 X2



71087 X2



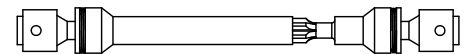
71088 X1



72019 X1

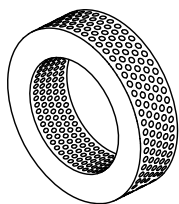


94013 X2

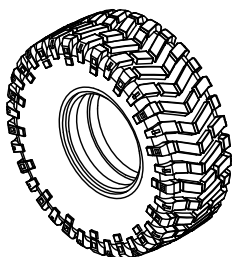


95019 X2

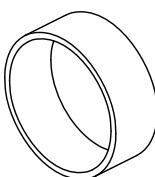
BAG (C)



42303 X4



50004 X4



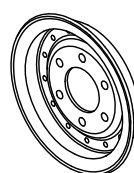
41312 X4



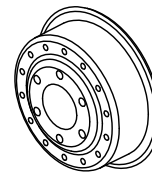
32201 X4




32202 X4




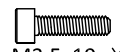
71071 X4




71072 X4

50012  $\phi 9 \times \phi 6 \times 1.5$ X4

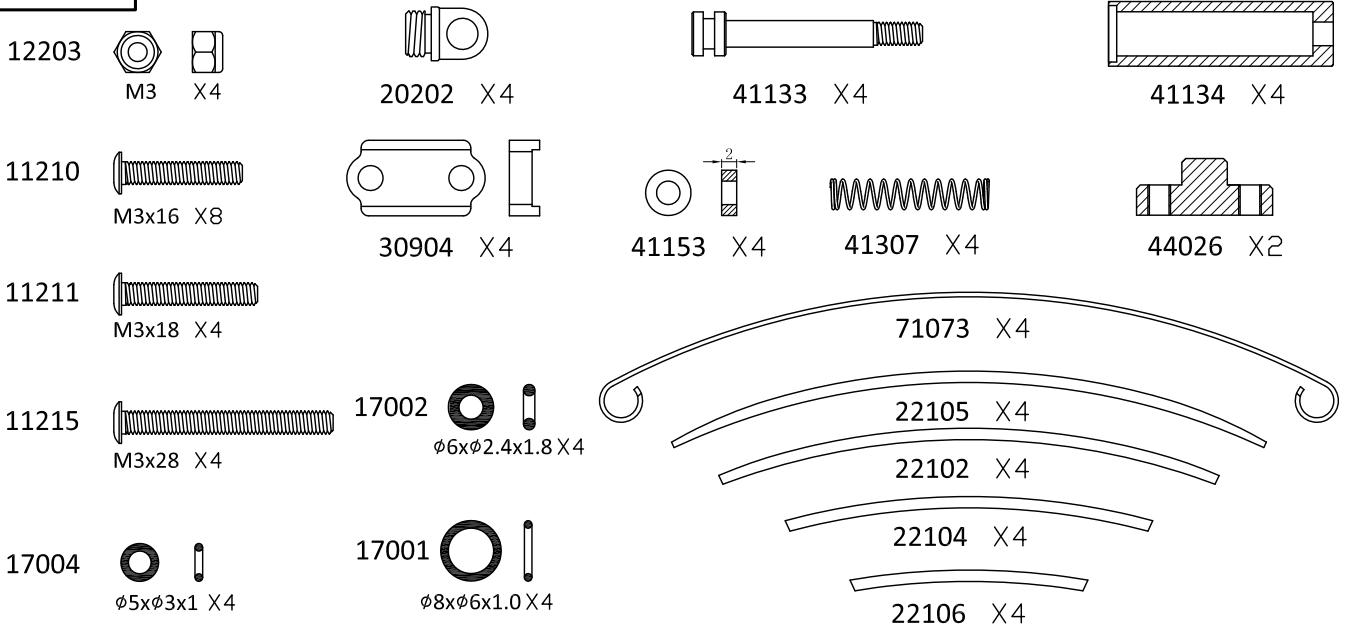
12105  M2.5 X24

11125  M2.5x10 X24

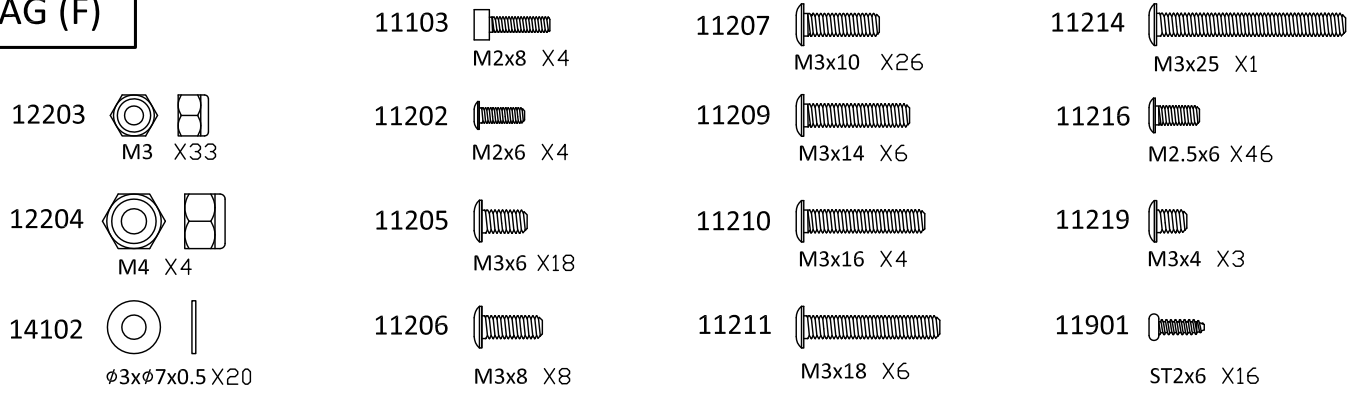
11119  M2.5x16 X2

BAG (D)

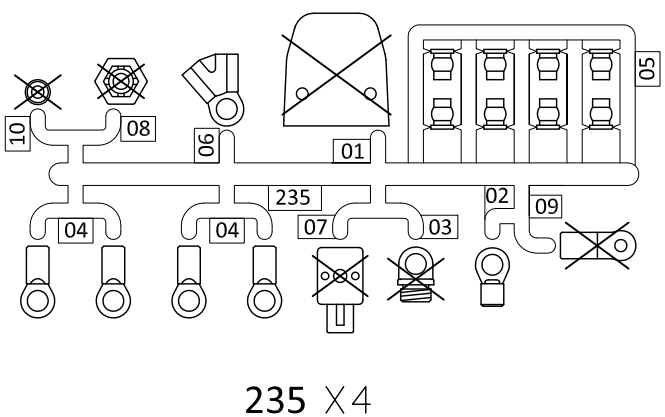
BAG (E)



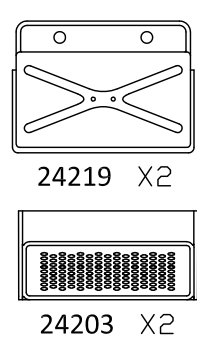
BAG (F)



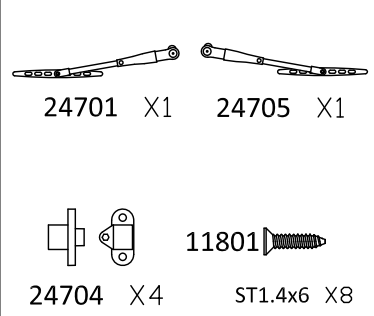
No.235



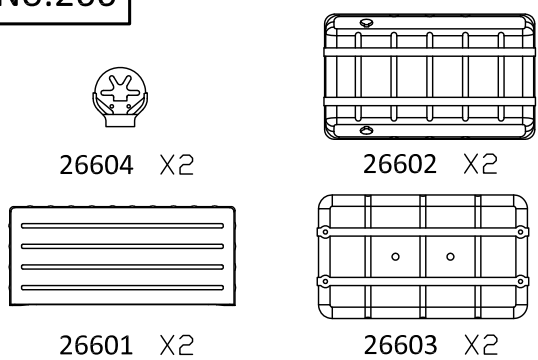
No.242



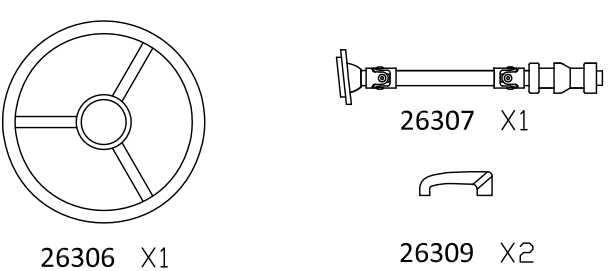
No.247



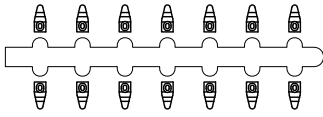
No.266



No.263

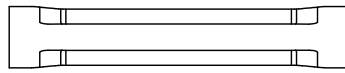


No.267

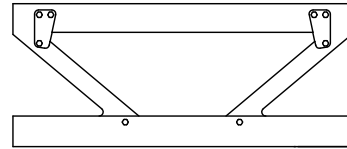


26705 X14

No.268



26801 X1

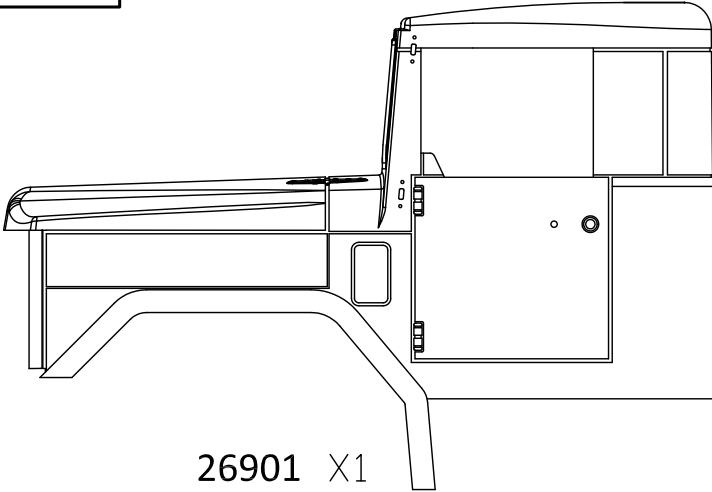


26802 X1



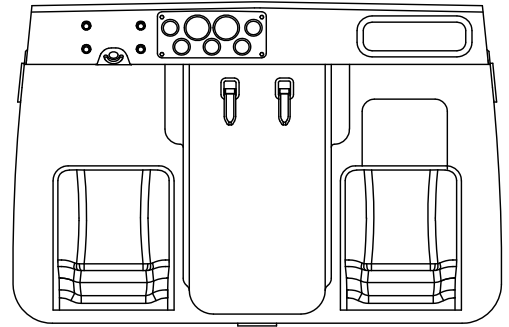
26804 X4

No.269



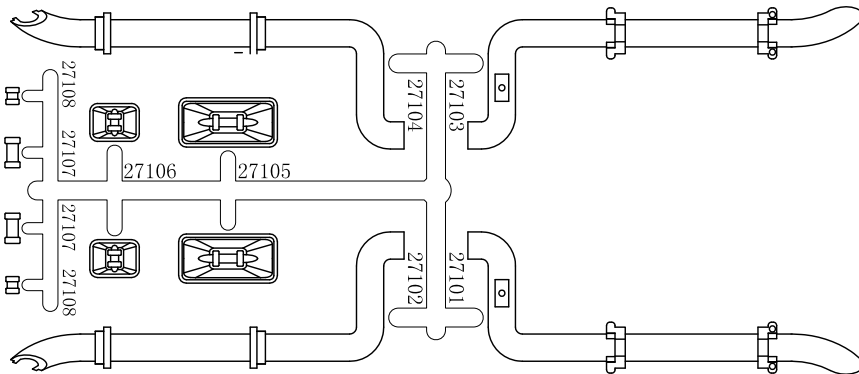
26901 X1

No.270



27001 X1

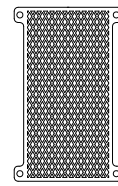
No.271



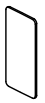
271 X1



71089 X2



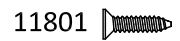
72020 X2



73036 X2

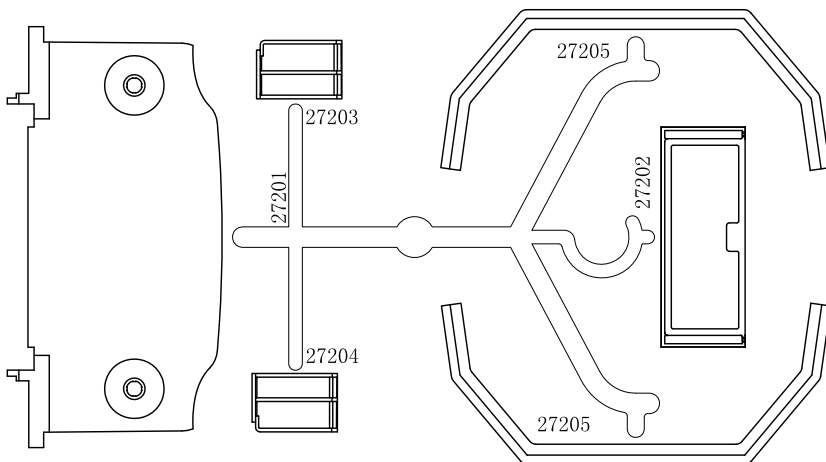


73037 X2



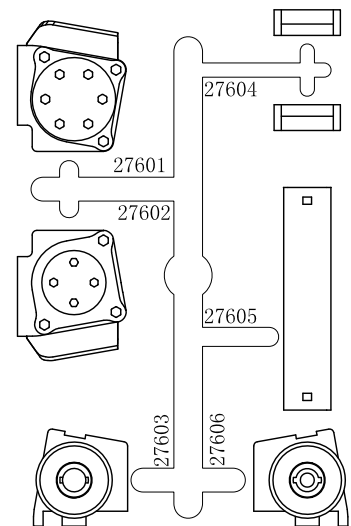
11801 ST1.4x6 X8

No.272

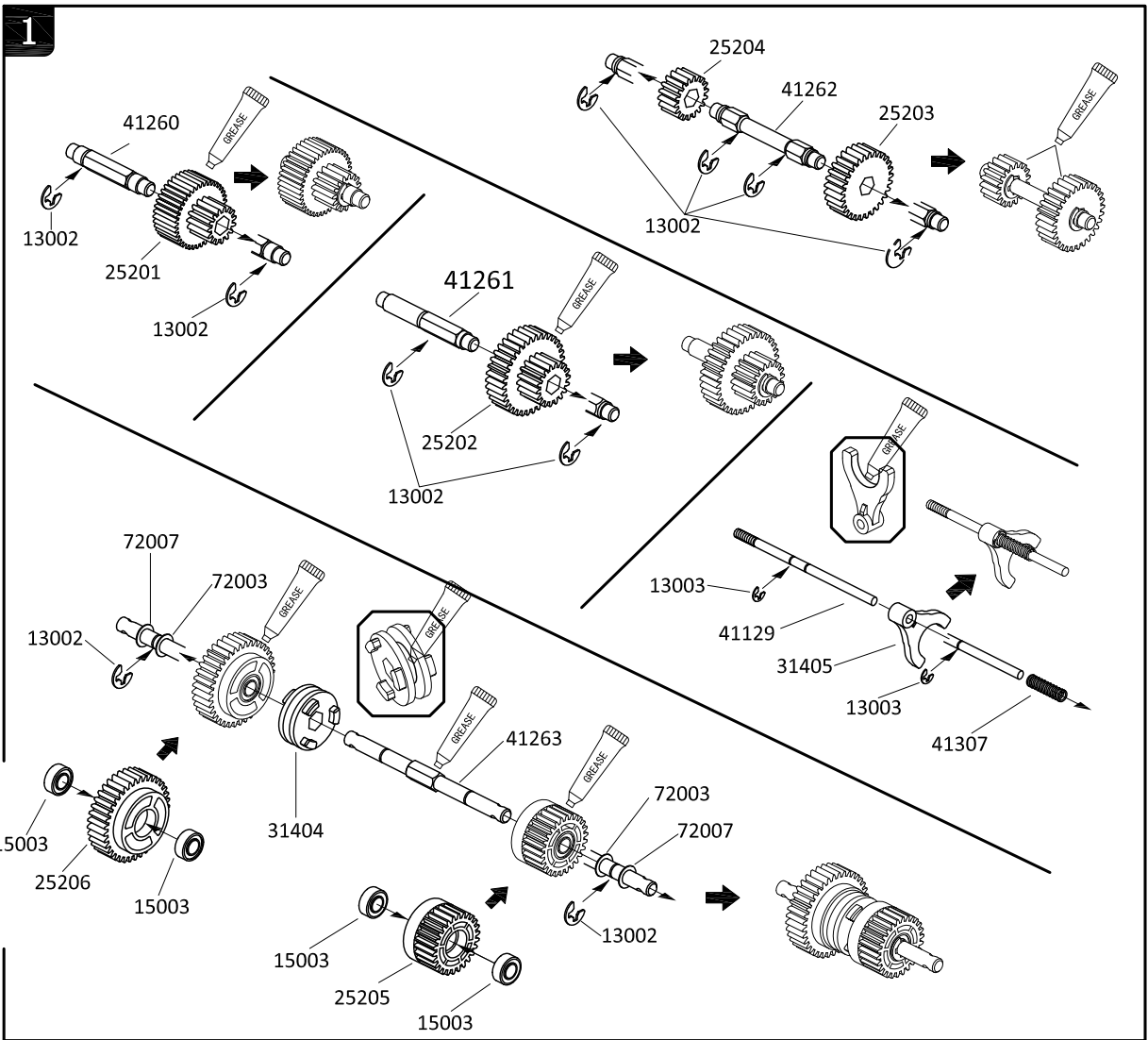


272 X1

No.276

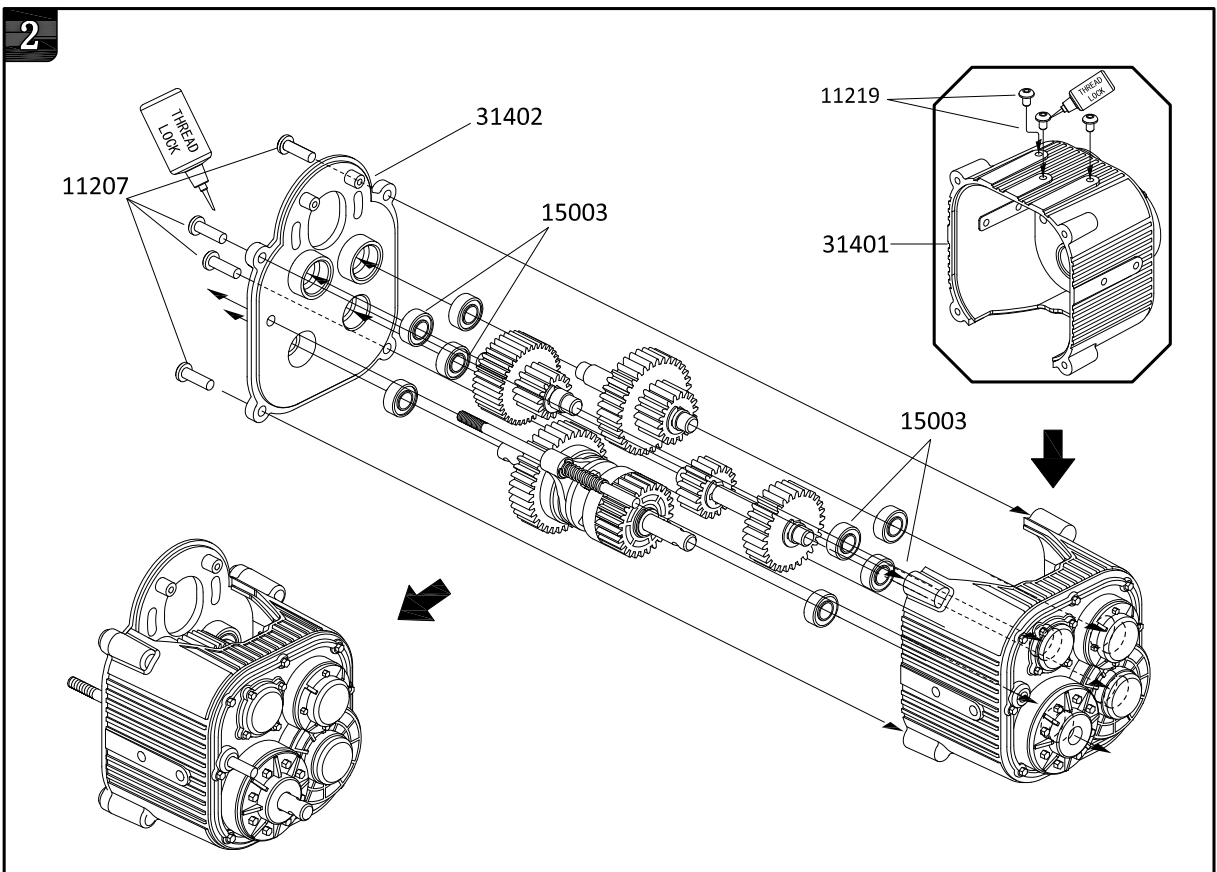


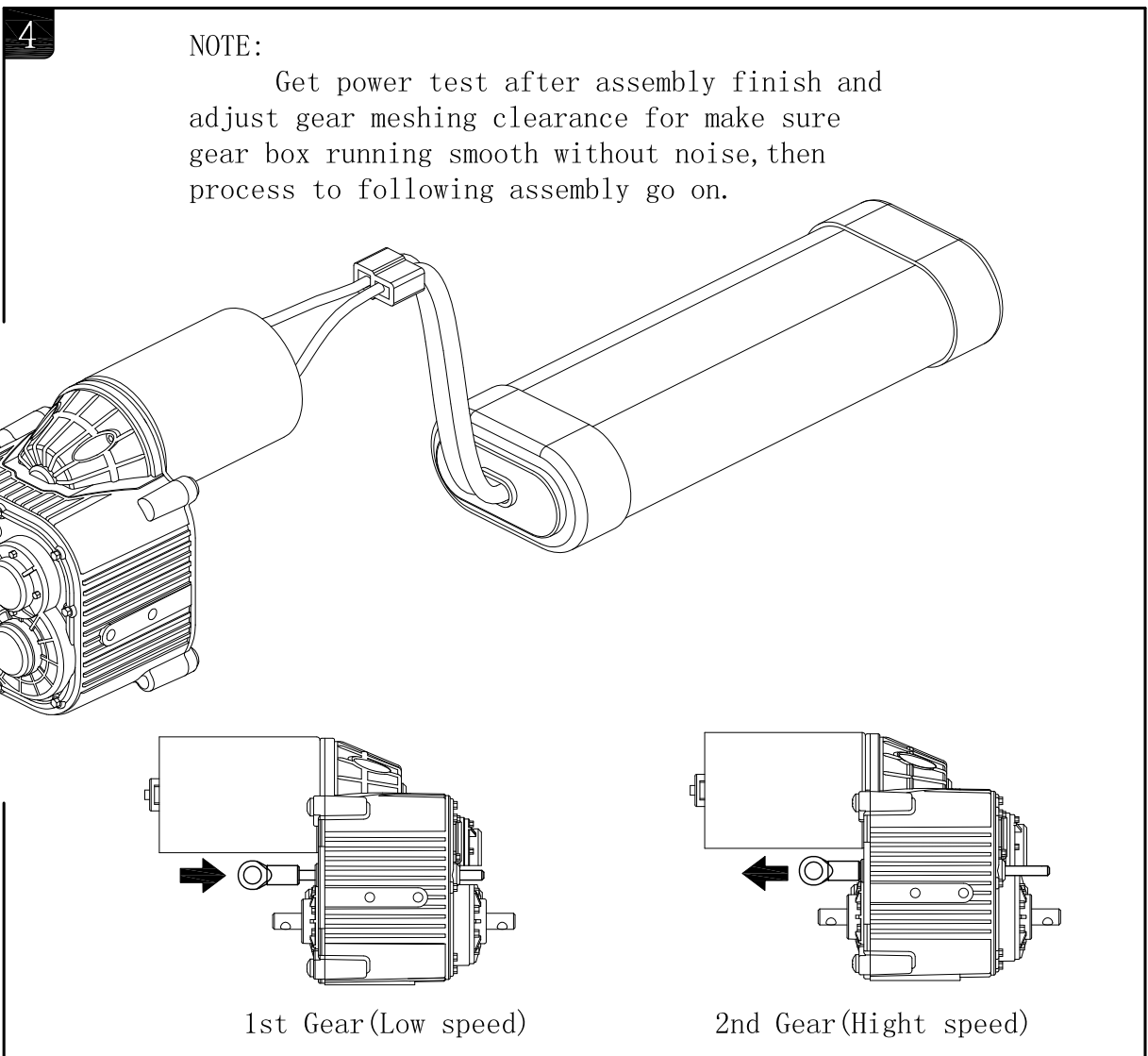
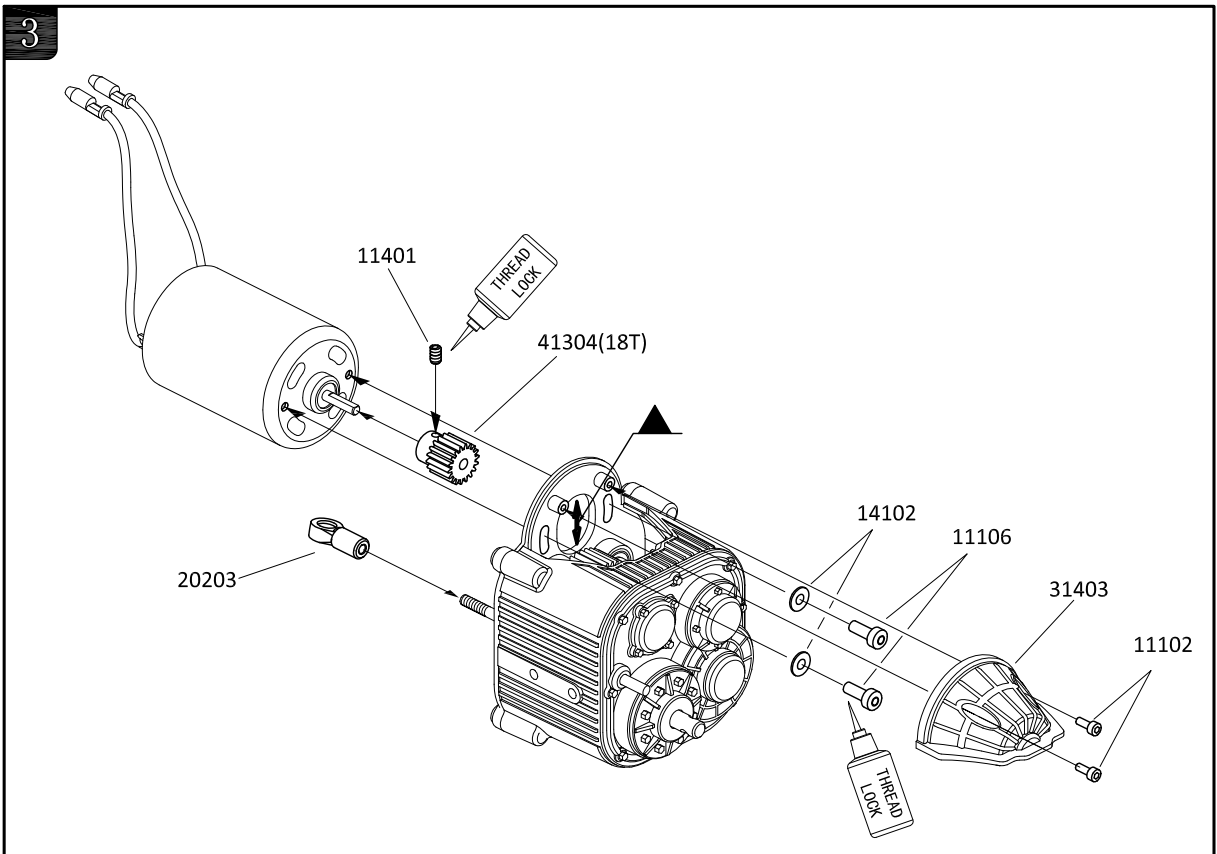
276 X1




- 13002 $\phi 3.8 \times \phi 9.2 \times 0.6 \times 10$
- 13003 $\phi 2.5 \times \phi 6 \times 0.4 \times 2$
- 15003 $\phi 5 \times \phi 10 \times 4 \times 4$


- 11219 M3x4 X3
- 11207 M3x10 X4
- 15003 $\phi 5 \times \phi 10 \times 4 \times 8$

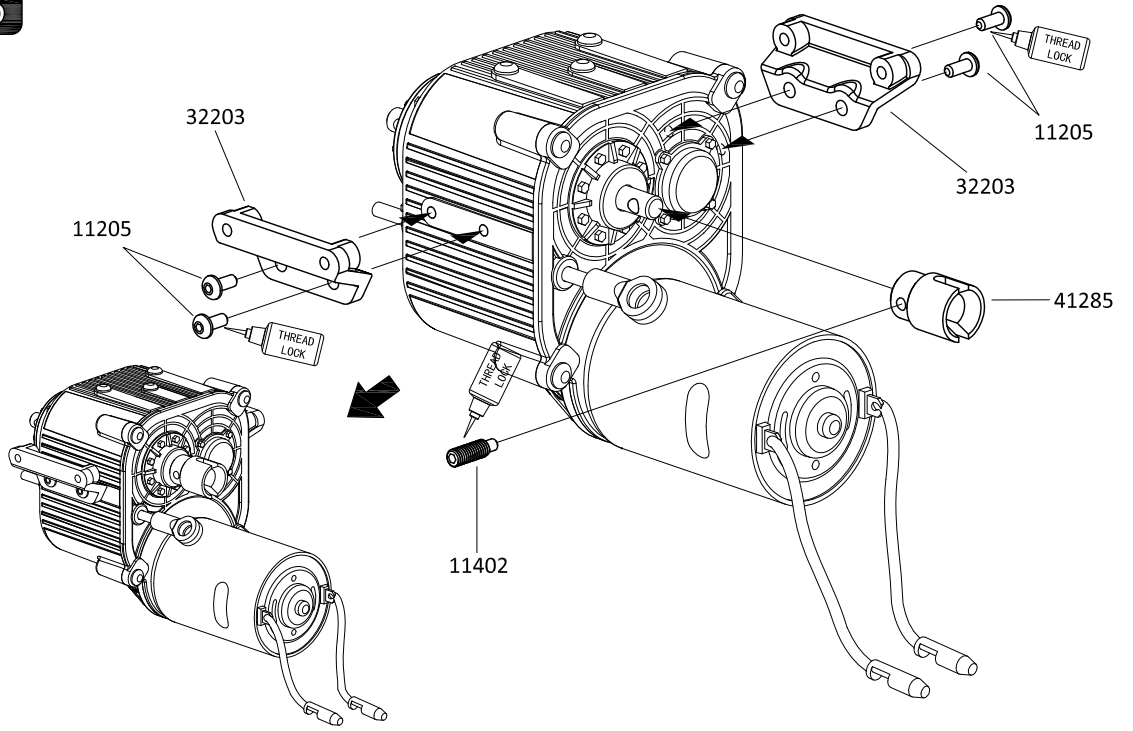




5


11205  M3x6 X4


11402  M3x10 X1




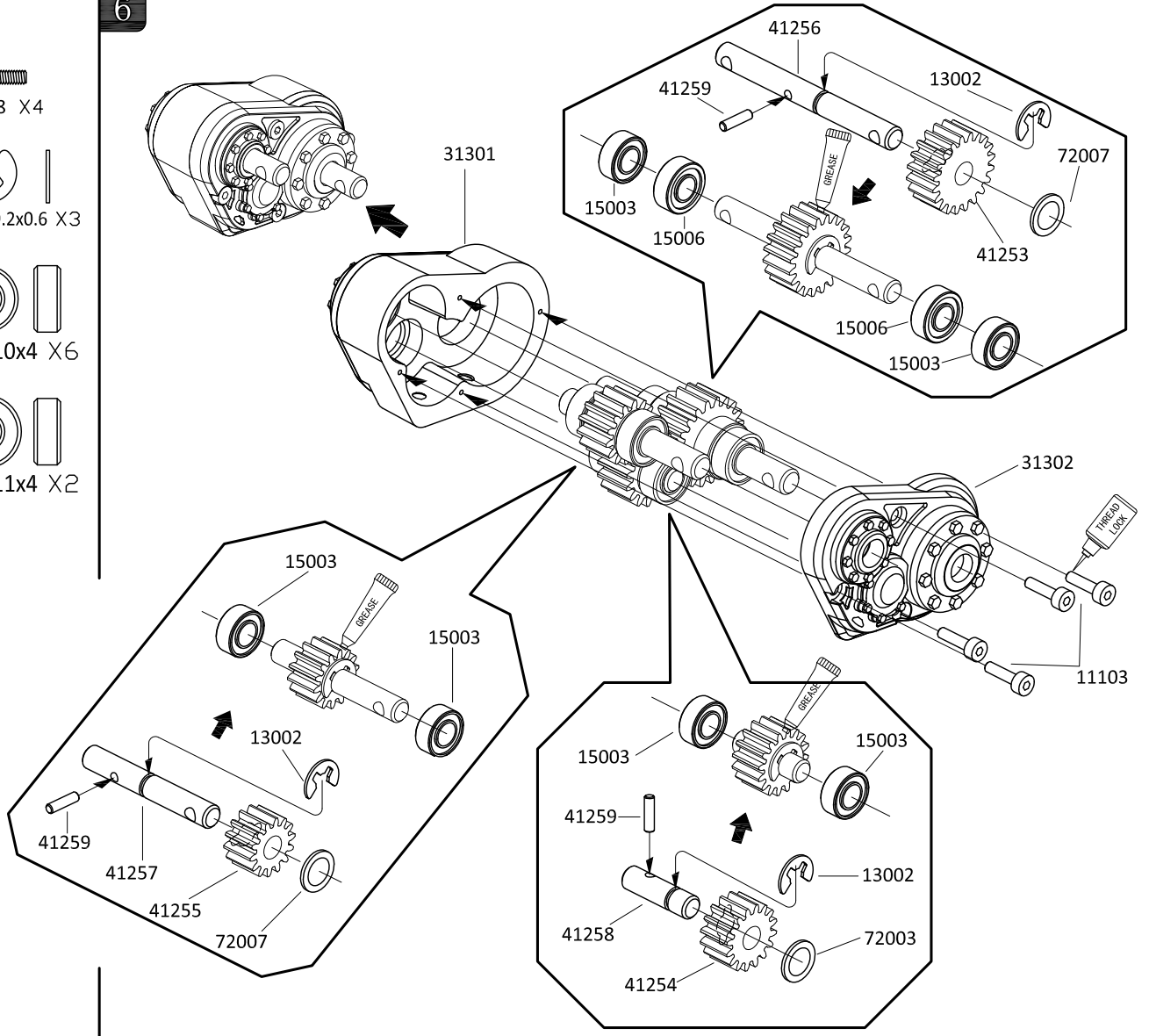
6

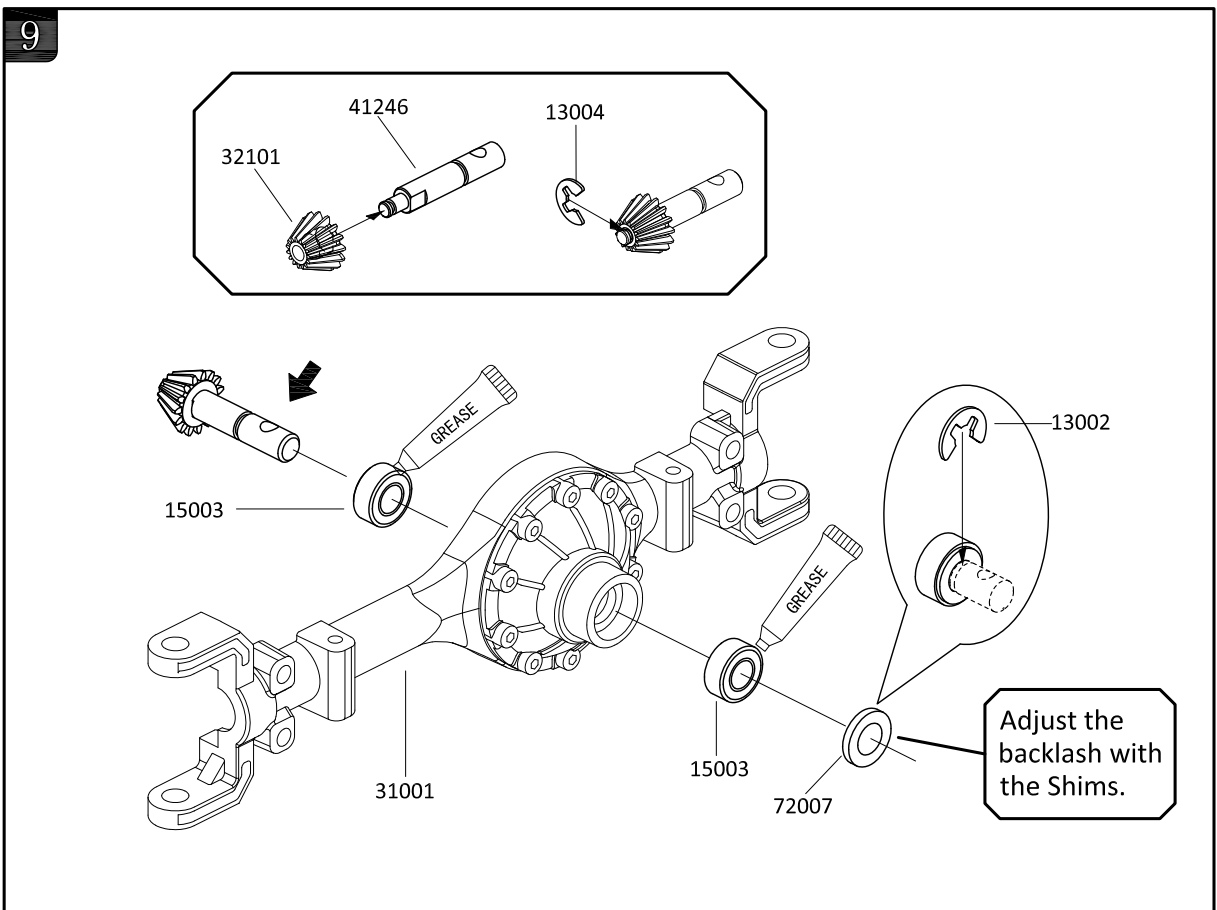
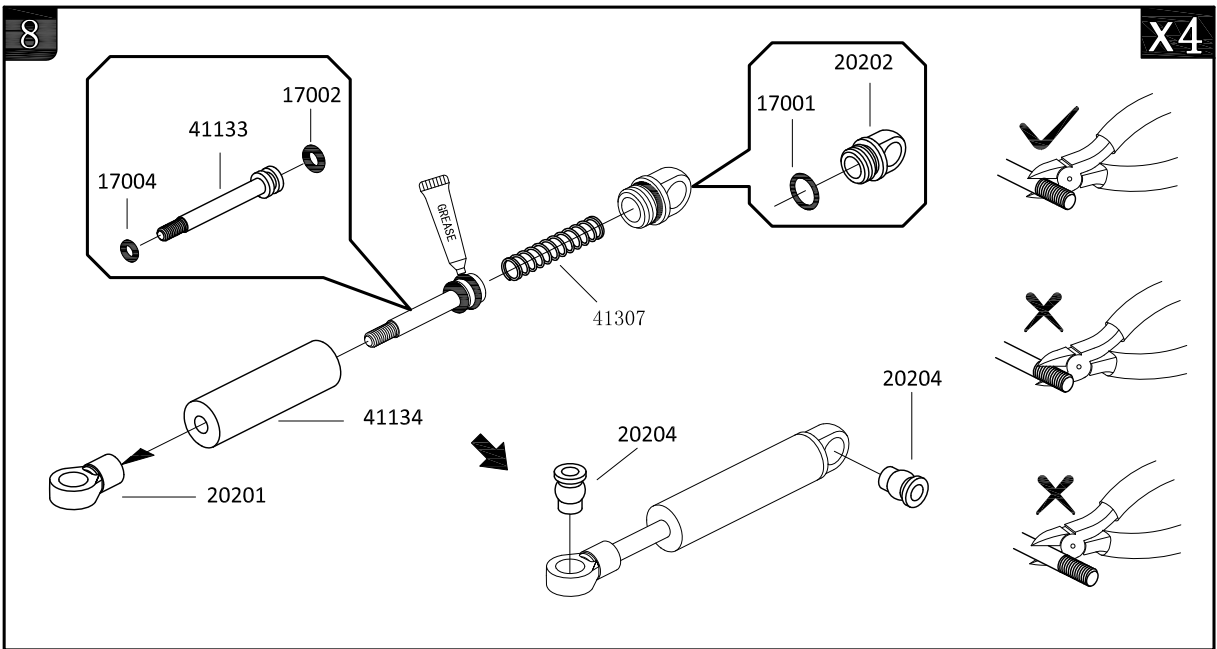
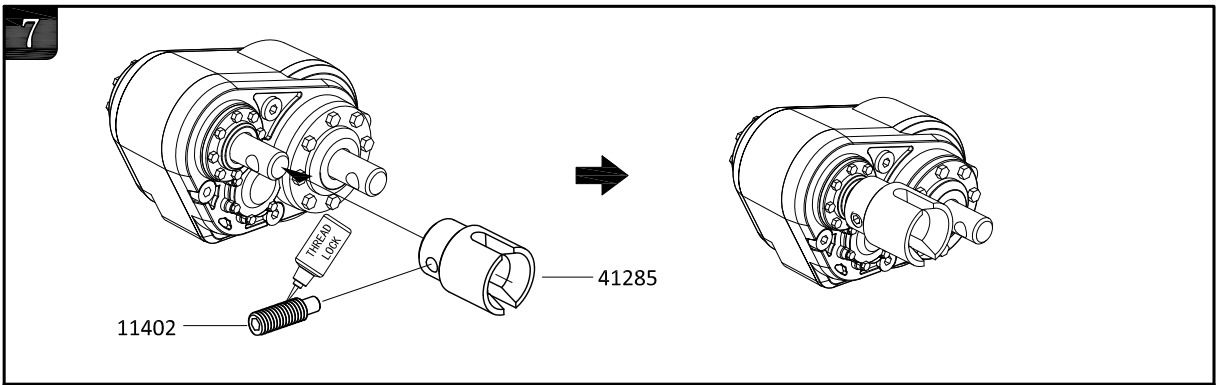
11103  M2x8 X4

13002  $\phi 3.8 \times \phi 9.2 \times 0.6$ X3


15003  $\phi 5 \times \phi 10 \times 4$ X6

15006  $\phi 5 \times \phi 11 \times 4$ X2







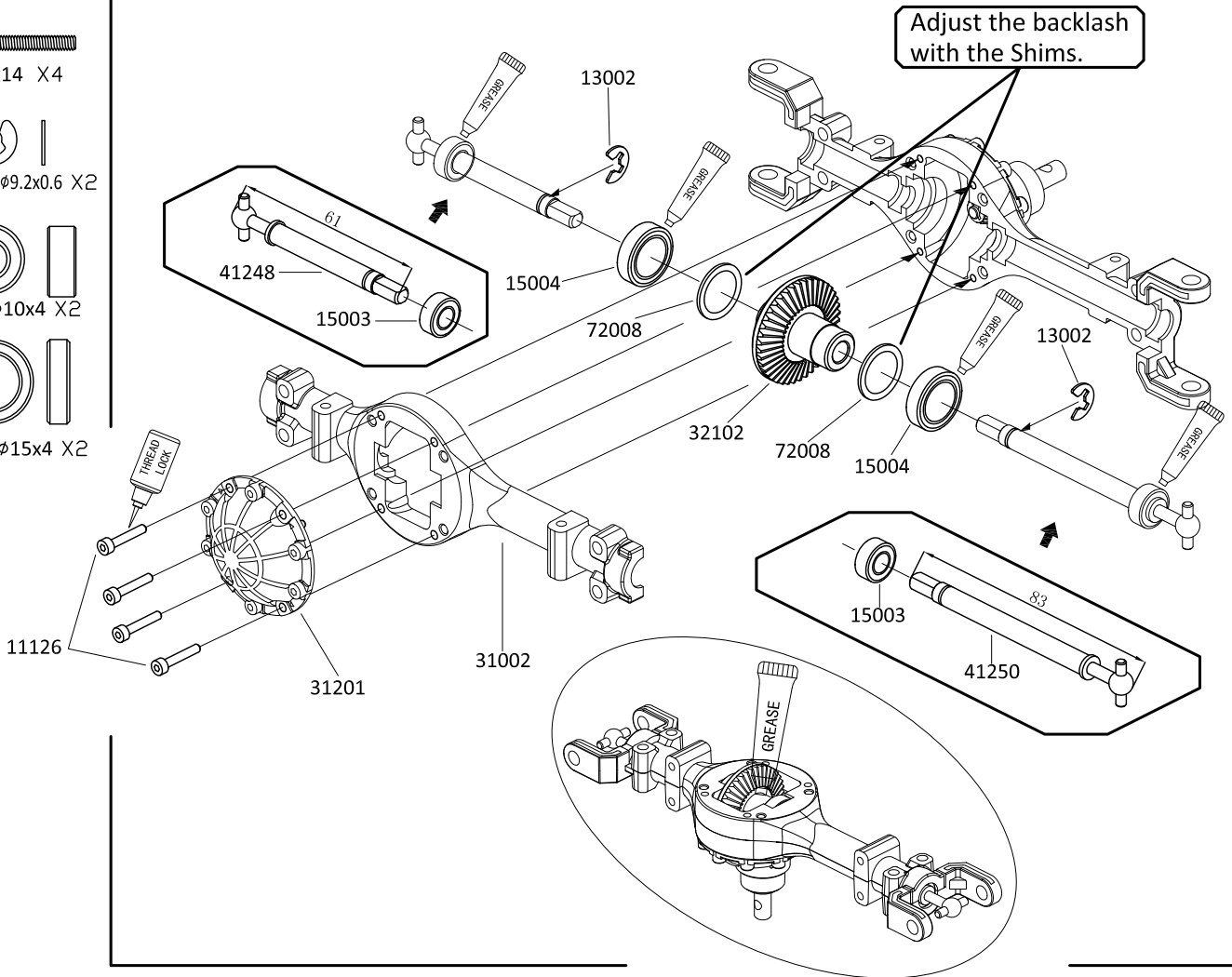
10

11126  M2x14 X4


13002  $\phi 3.8 \times \phi 9.2 \times 0.6$ X2


15003  $\phi 5 \times \phi 10 \times 4$ X2


15004  $\phi 10 \times \phi 15 \times 4$ X2

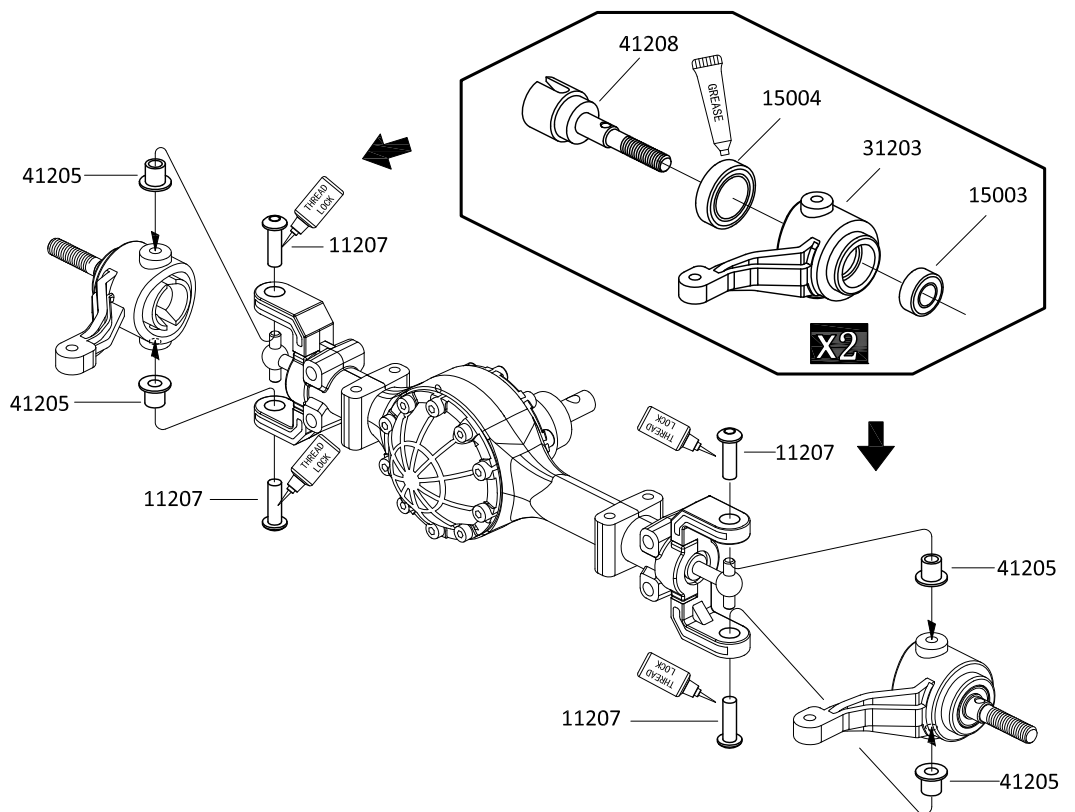


11




11207  M3x10 X4

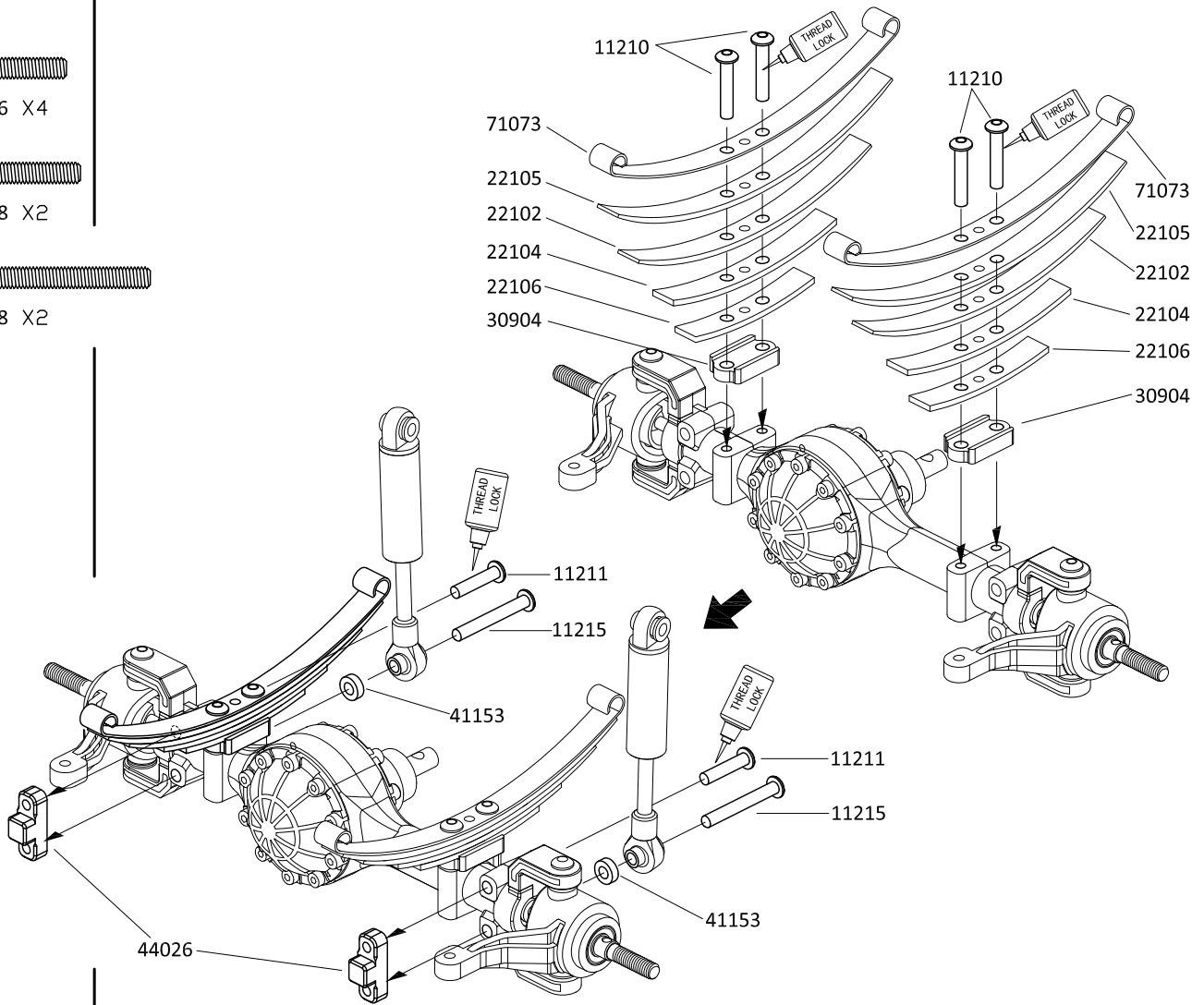
15003  $\phi 5 \times \phi 10 \times 4$ X2

15004  $\phi 10 \times \phi 15 \times 4$ X2






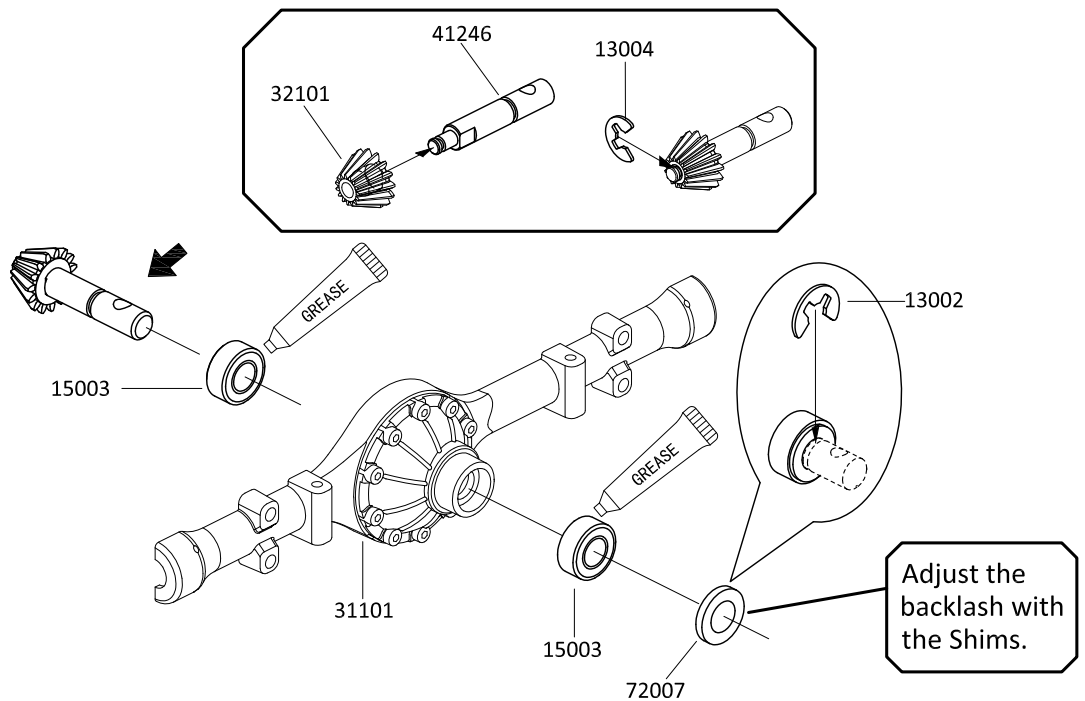
12

- 11210  M3x16 X4
- 11211  M3x18 X2
- 11215  M3x28 X2







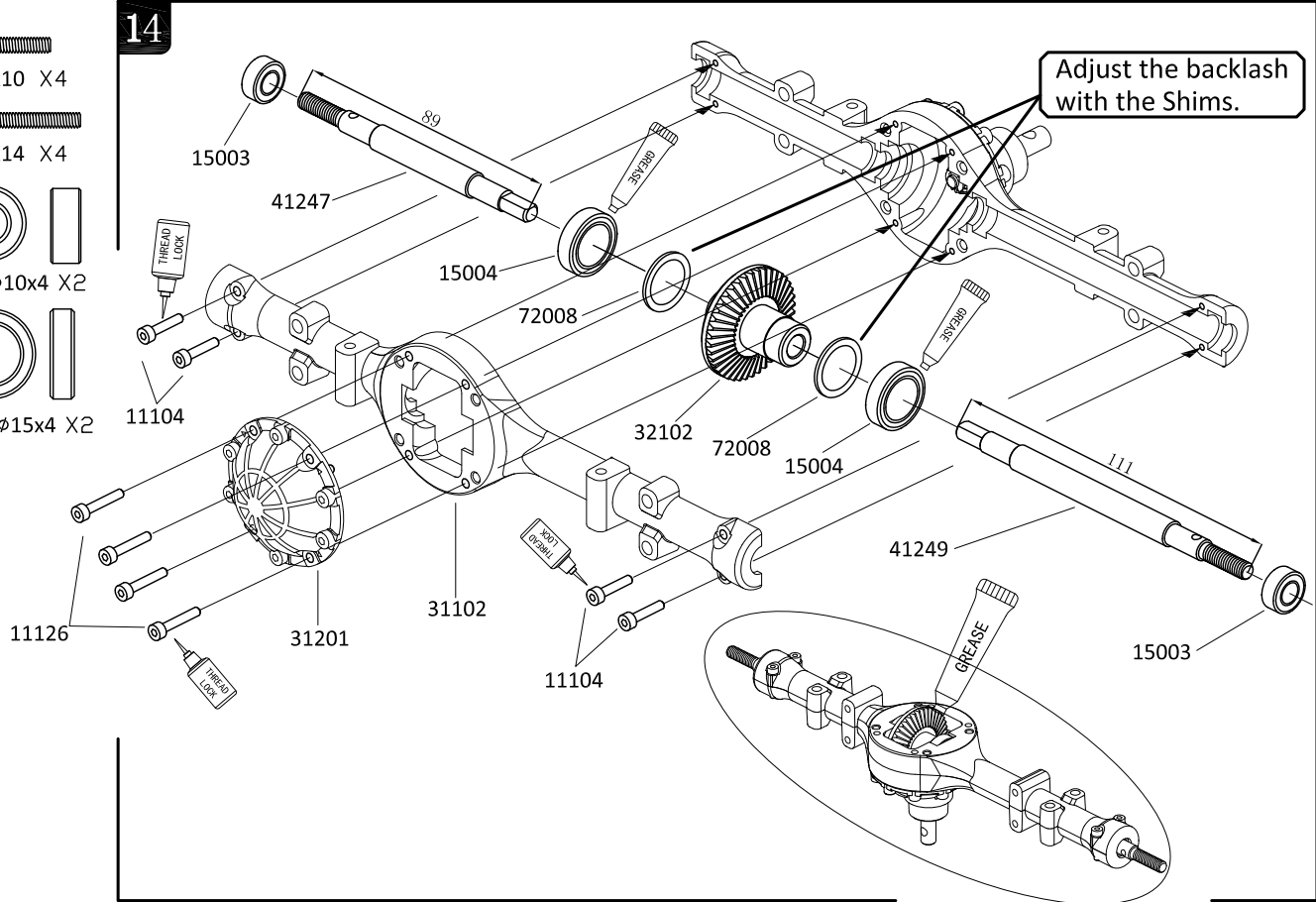
13

- 13004  | $\phi 2 \times \phi 5.5 \times 0.4$ X1
- 13002  | $\phi 3.8 \times \phi 9.2 \times 0.6$ X1
- 15003  | $\phi 5 \times \phi 10 \times 4$ X2







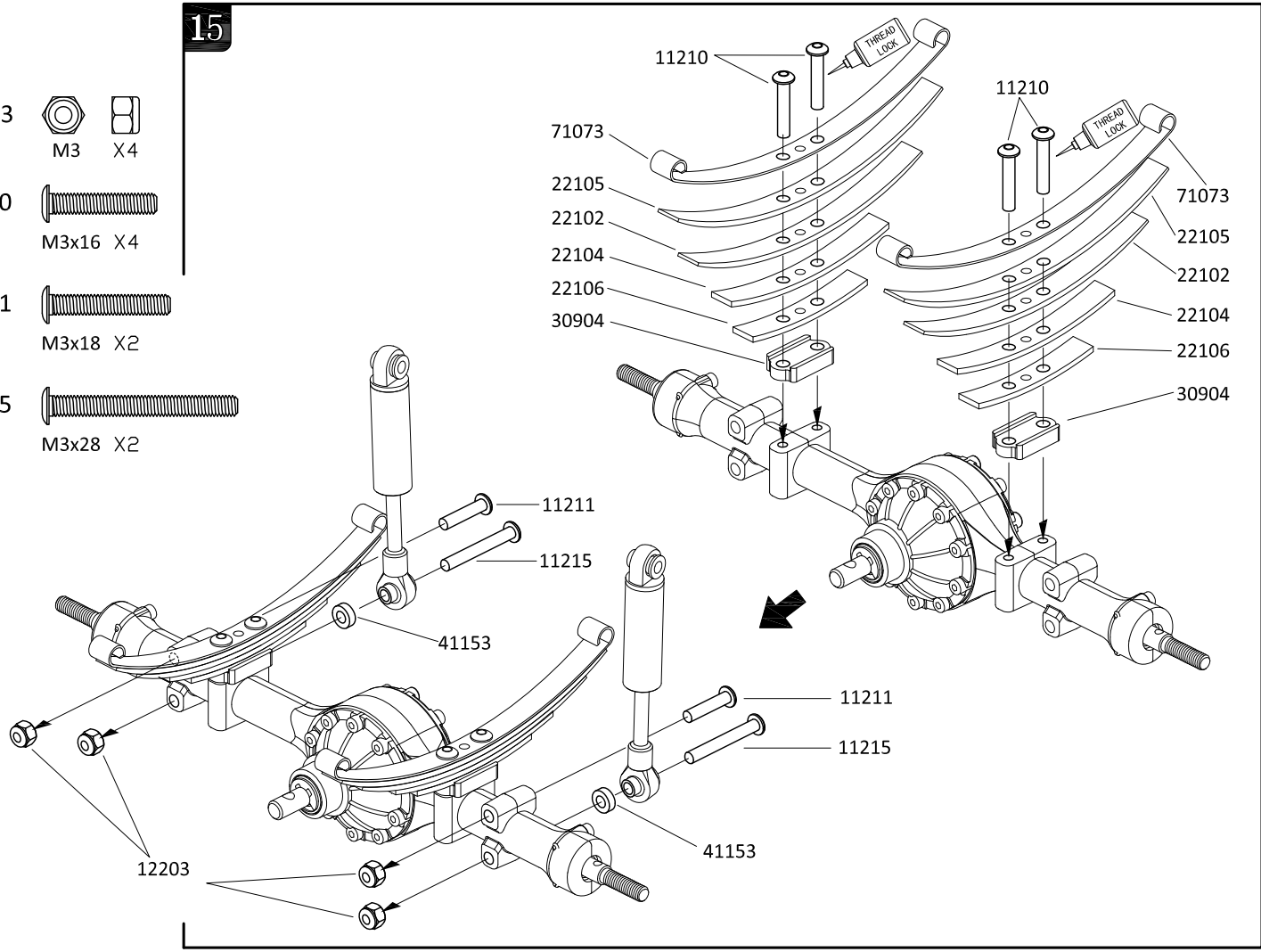
14

- 11104  M2x10 X4
- 11126  M2x14 X4
- 15003  $\phi 5 \times \phi 10 \times 4$ X2
- 15004  $\phi 10 \times \phi 15 \times 4$ X2




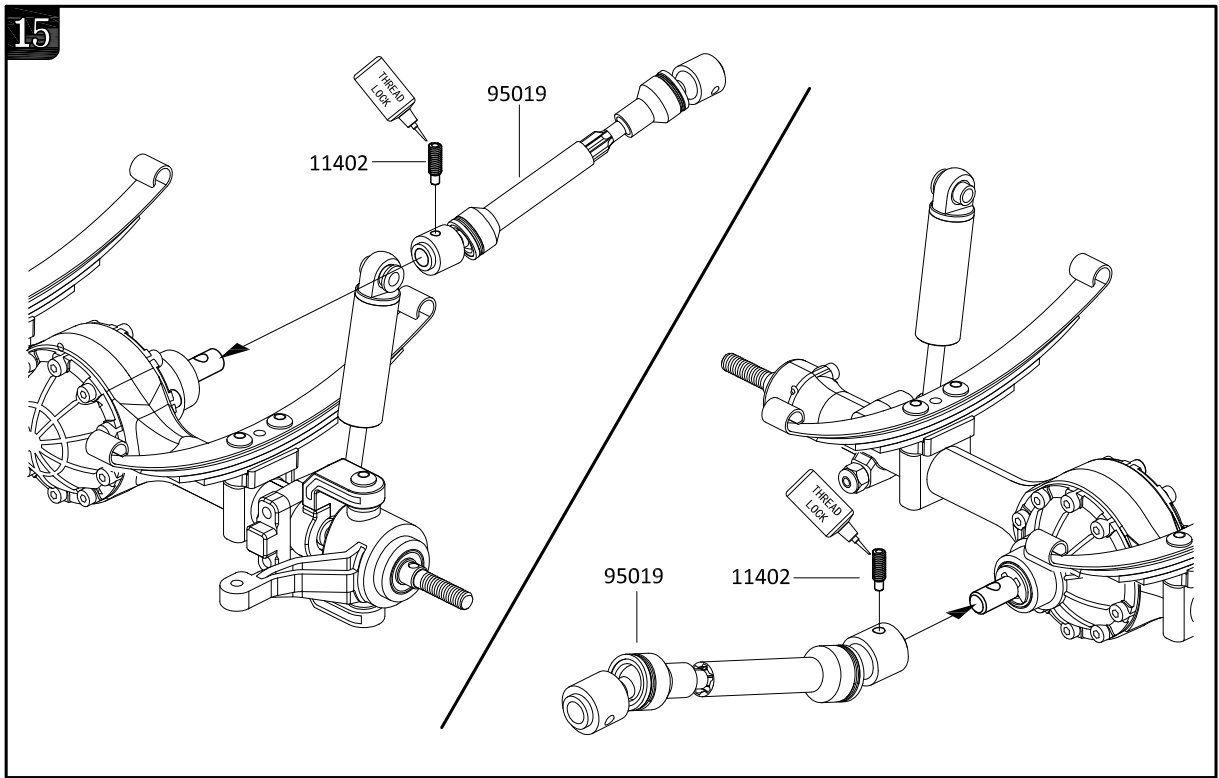
15

- 12203  M3 X4
- 11210  M3x16 X4
- 11211  M3x18 X2
- 11215  M3x28 X2

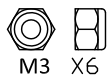

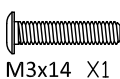
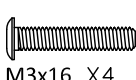
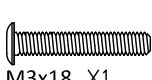



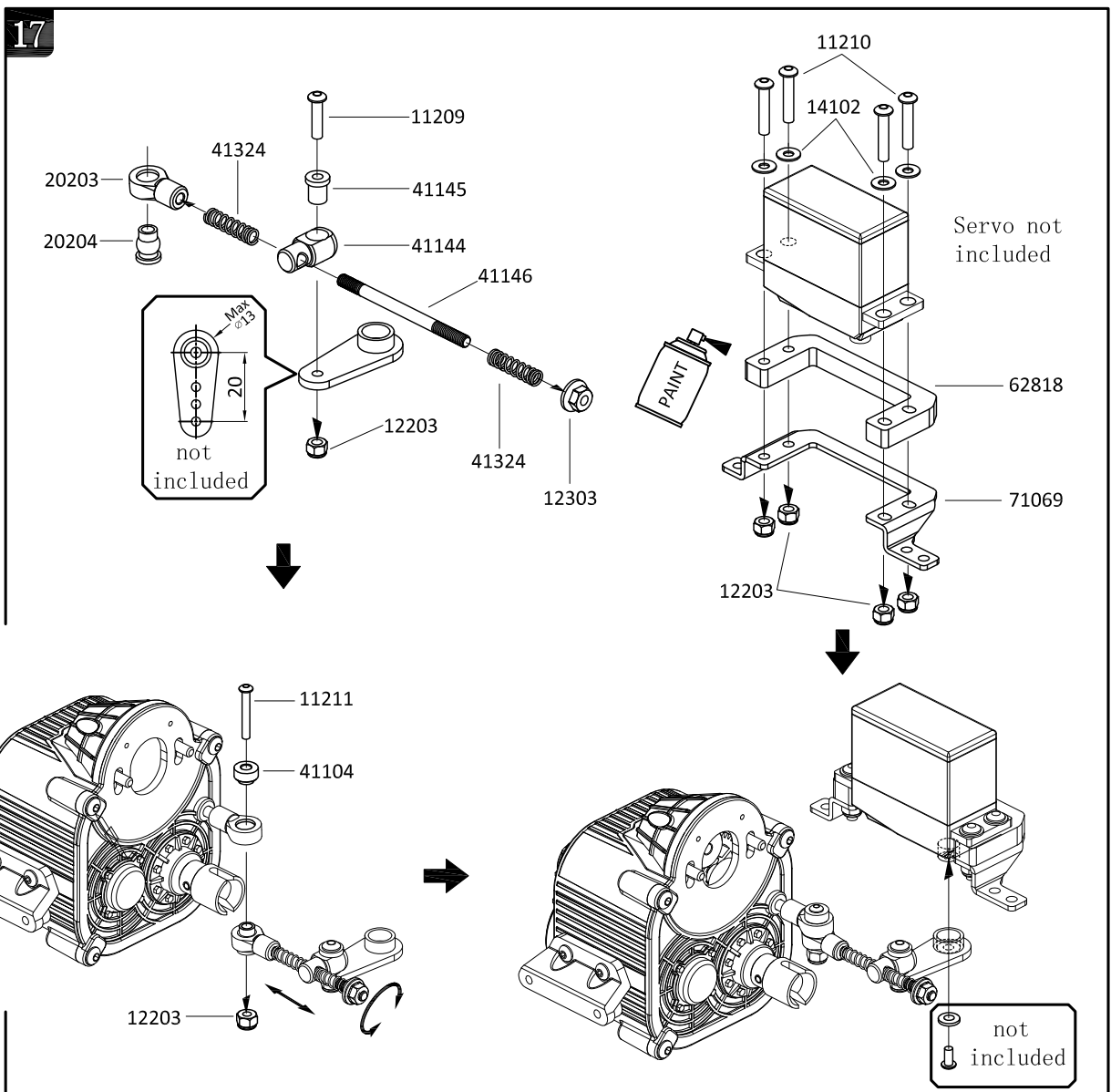
15

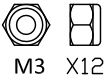
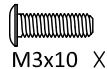
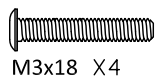
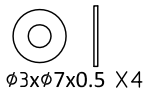
- 11402  M3x10 X2

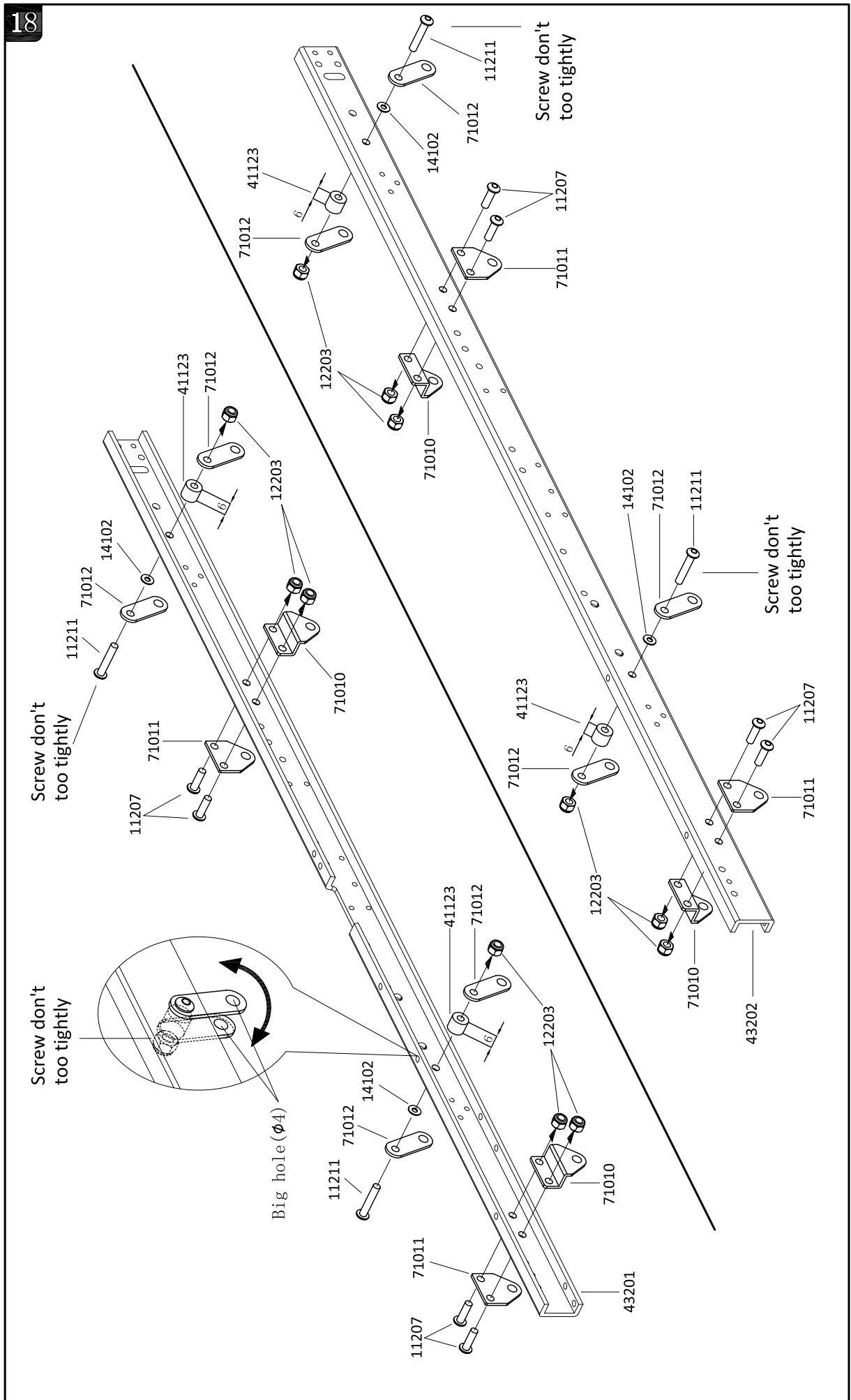


17


- 12203  M3 X6
- 12303  M3 X1
- 11209  M3x14 X1
- 11210  M3x16 X4
- 11211  M3x18 X1
- 14102  $\phi 3 \times \phi 7 \times 0.5$ X4




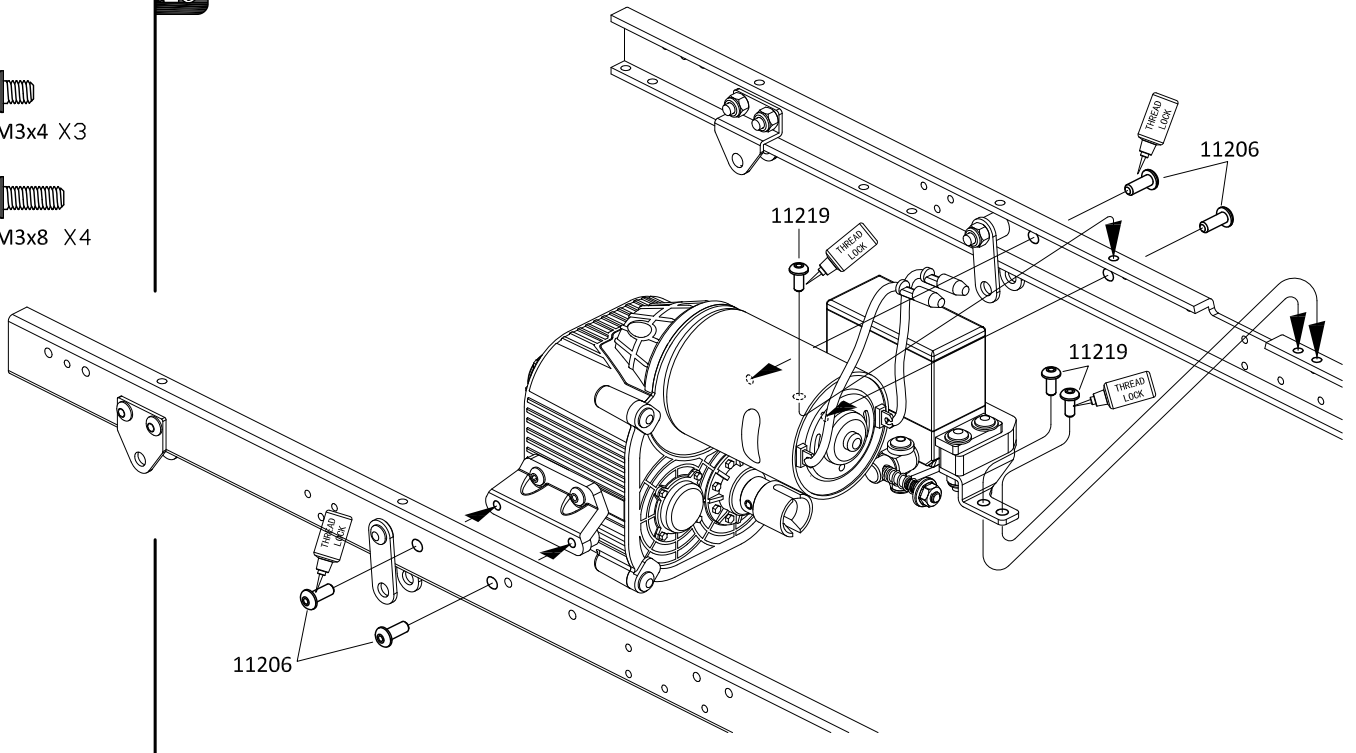
- 12203  M3 X12
- 11207  M3x10 X8
- 11211  M3x18 X4
- 14102  $\phi 3 \times \phi 7 \times 0.5$ X4




19


11219  M3x4 X3

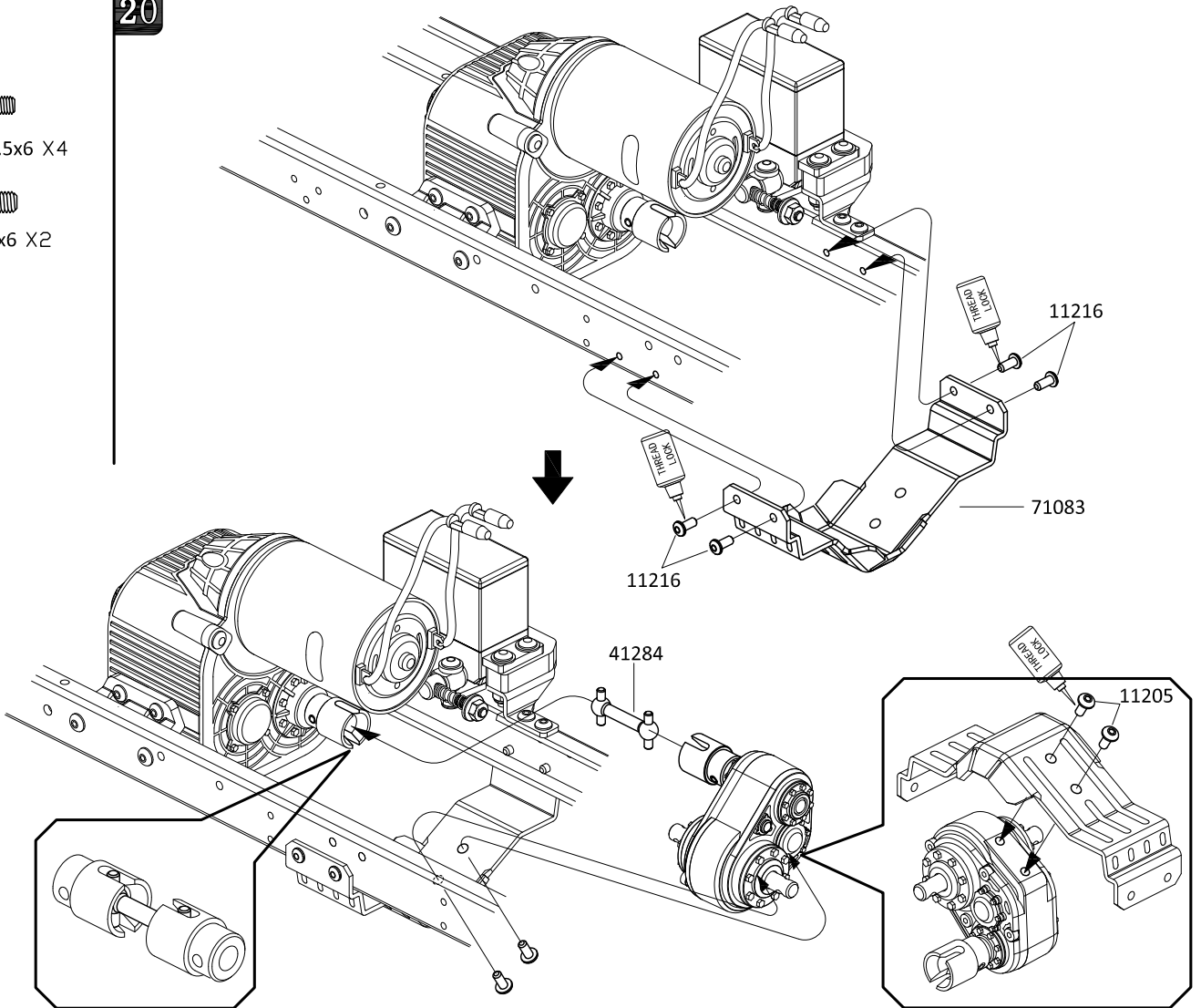
11206  M3x8 X4






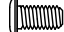


20

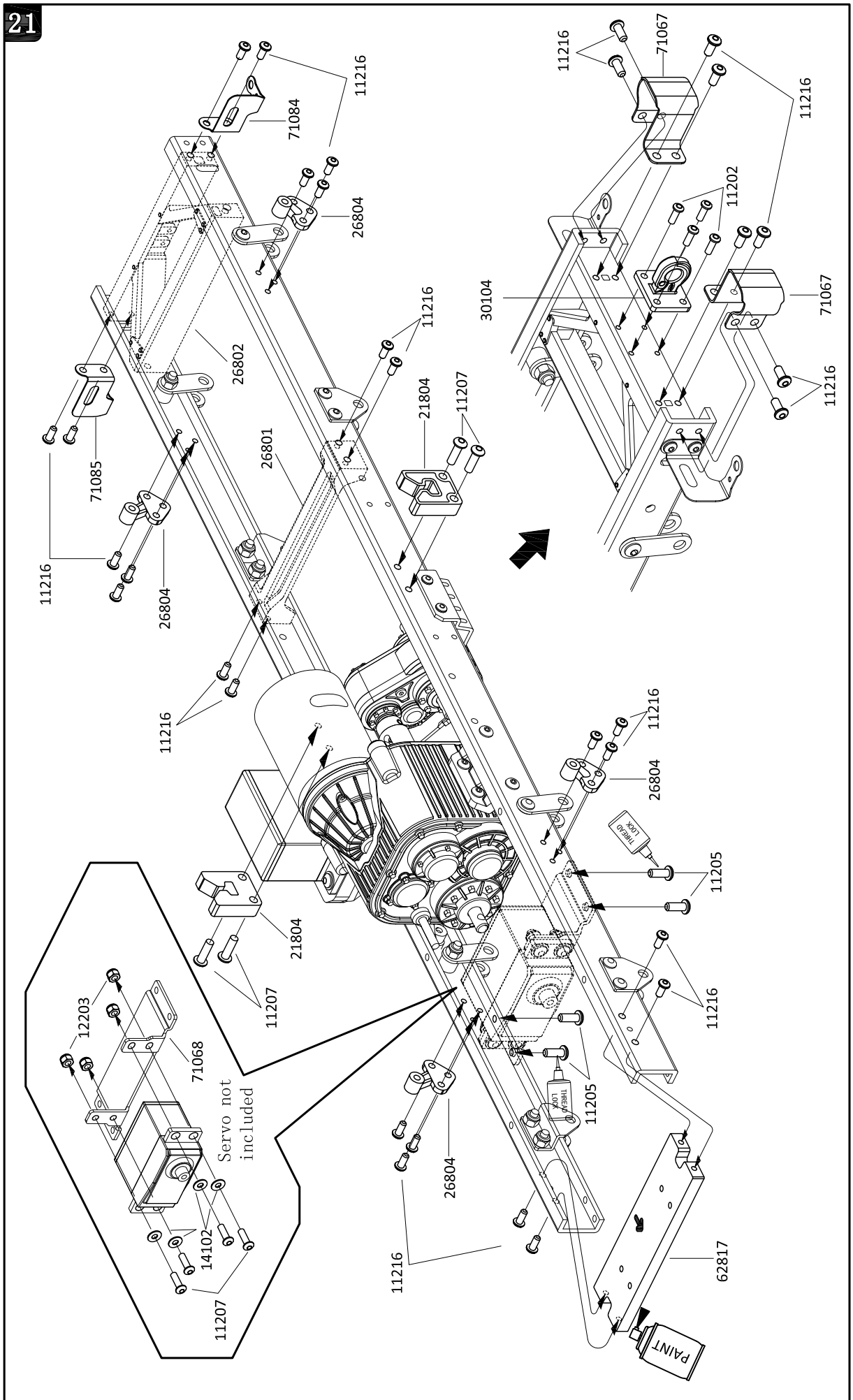
11216  M2.5x6 X4

11205  M3x6 X2




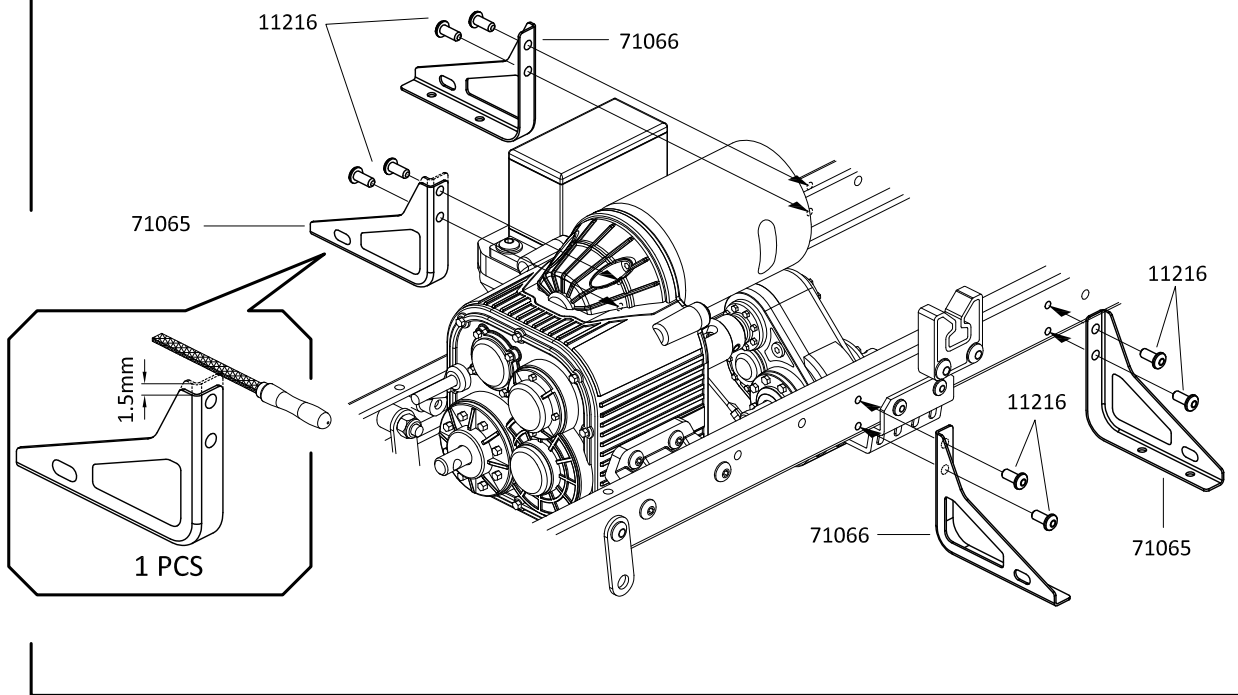
21

- 12203  M3 X4
- 11202  M2x6 X4
- 11216  M2.5x6 X32
- 11205  M3x6 X4
- 11207  M3x10 X8
- 14102  ø3xø7x0.5 X4




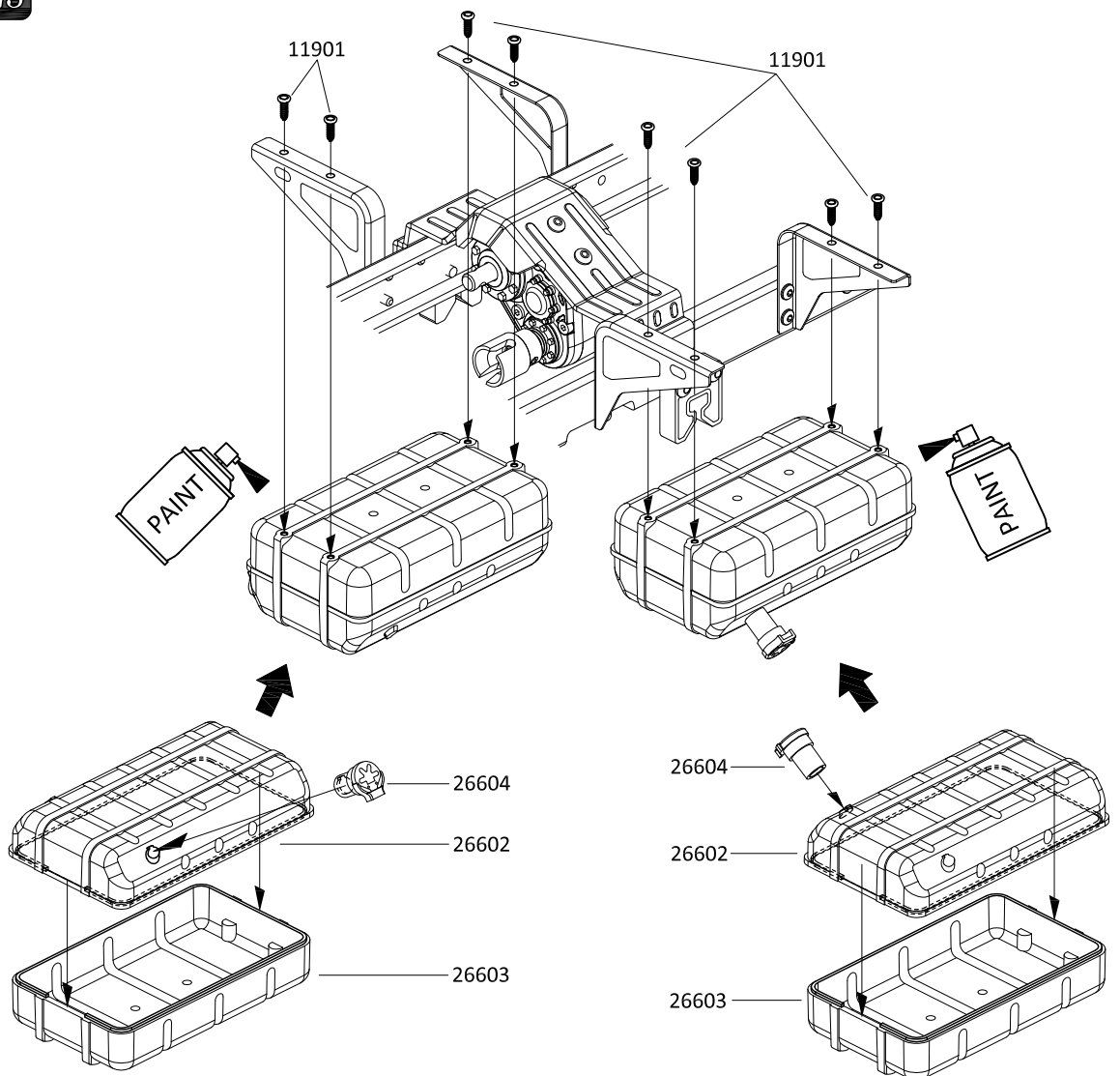
22

11216 
M2.5x6 X8



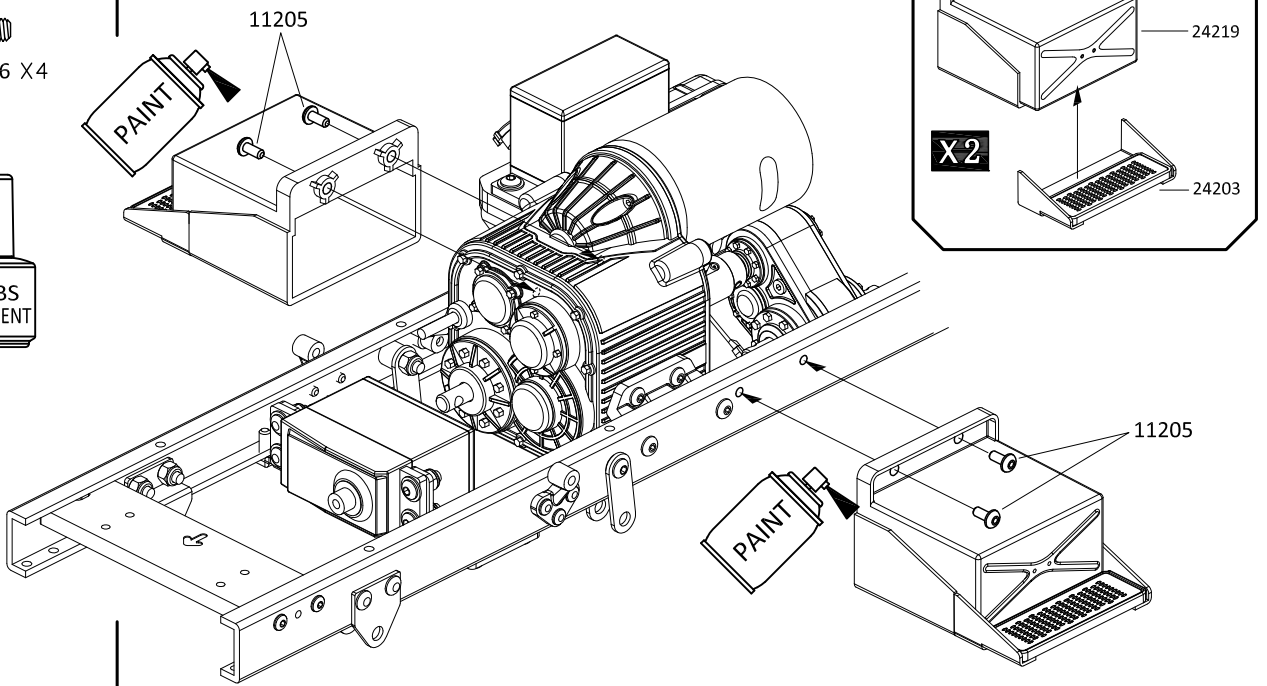
23

11901 
ST2x6 X8



24

11205
M3x6 X4

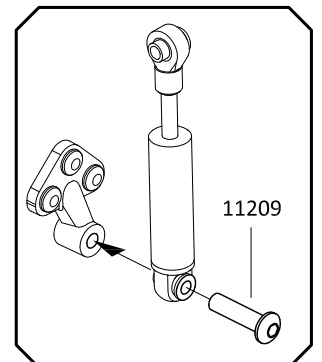
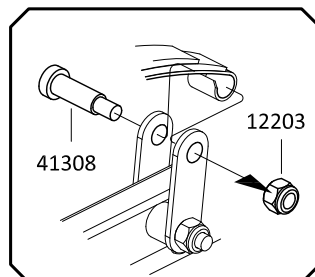
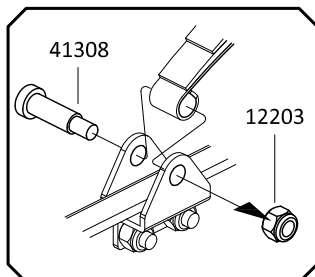
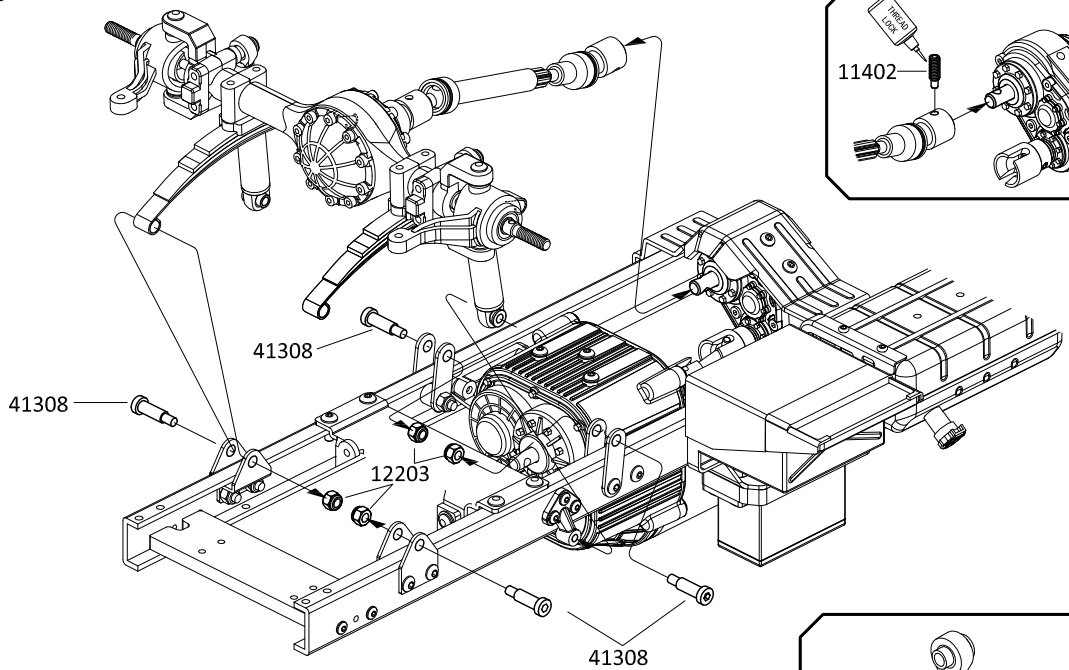
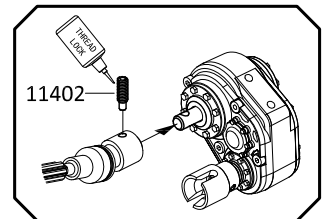


25

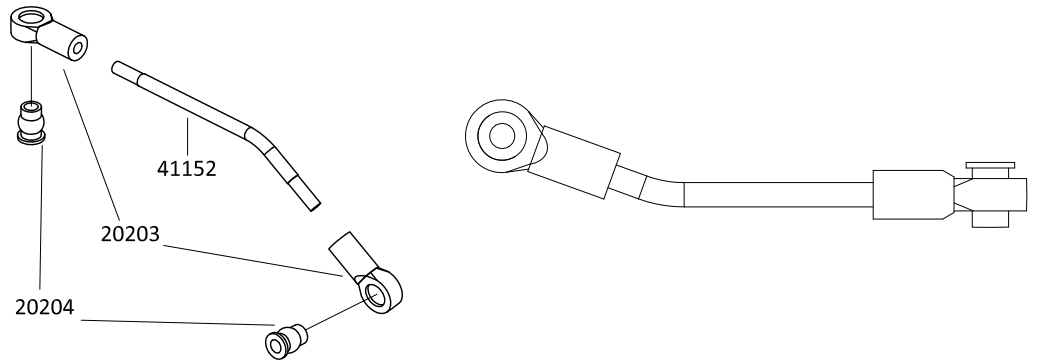
12203
M3 X4

11402
M3x10 X1

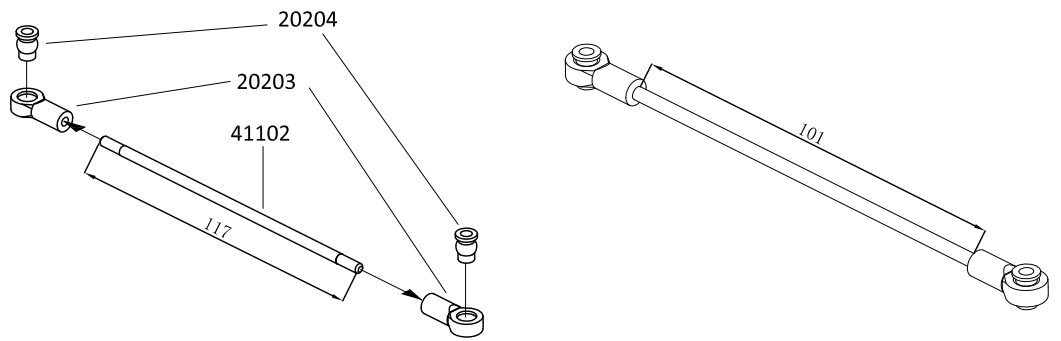
11209
M3x14 X2



26





27




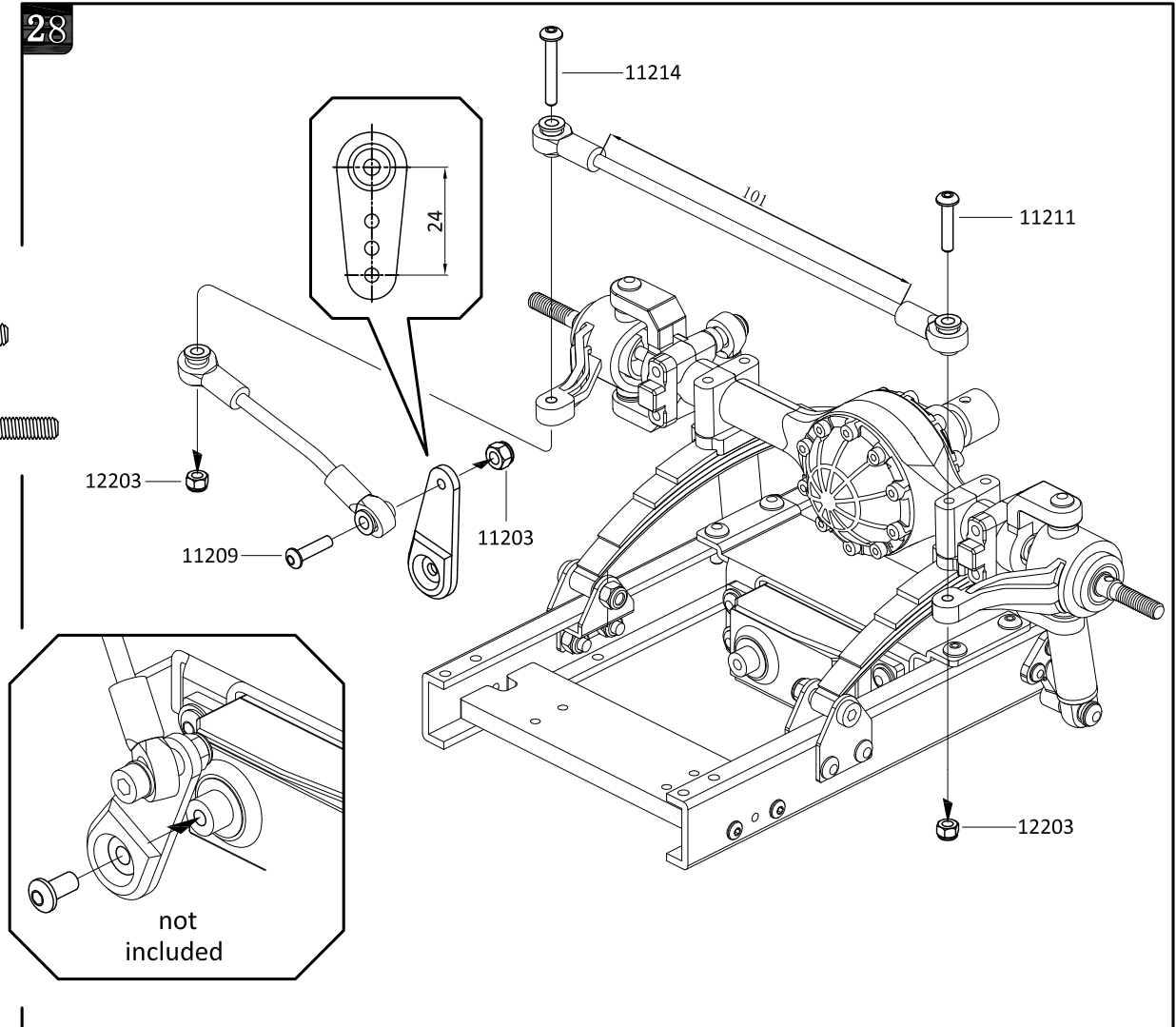
28

12203 
M3 X3


11209 
M3x14 X1


11211 
M3x18 X1


11214 
M3x25 X1

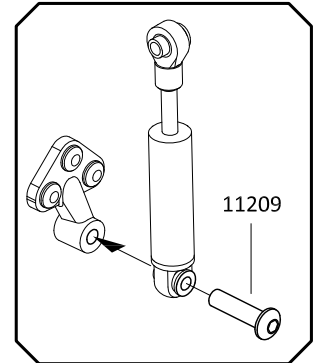
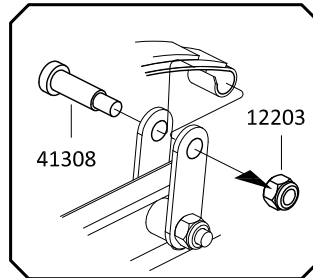
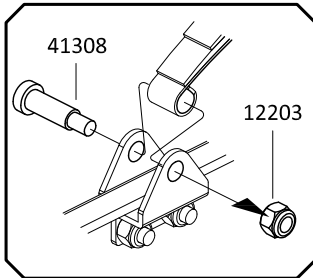
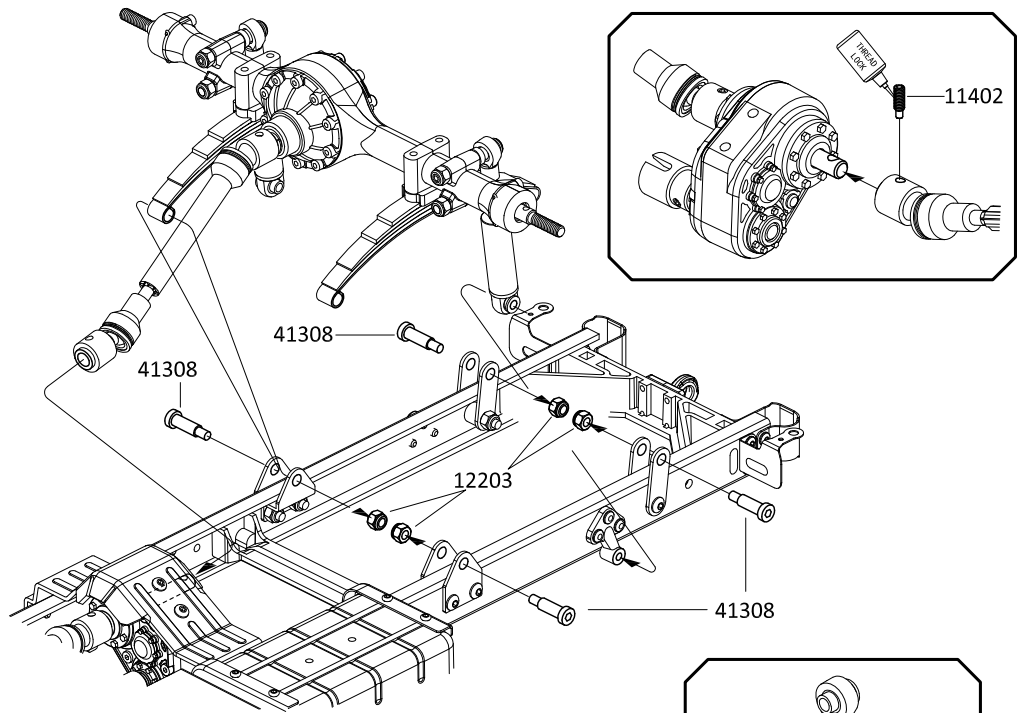


29


12203 
M3 X4


11402 
M3x10 X1

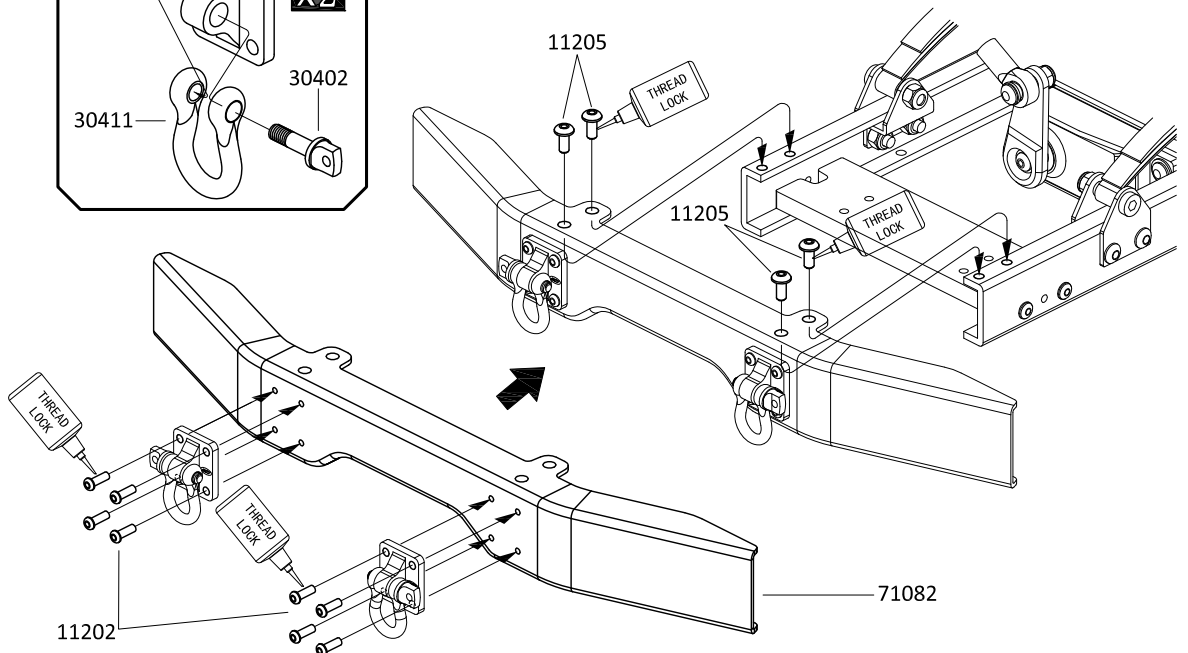
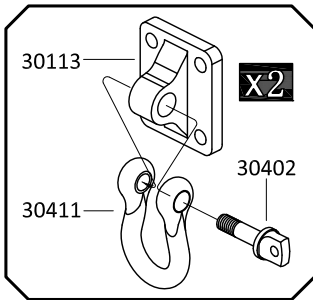
11209 
M3x14 X2



30

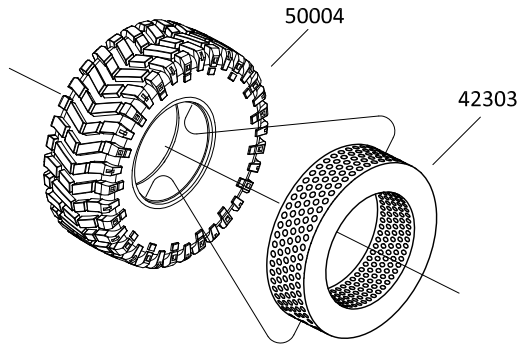
11202 
M2x6 X8

11205 
M3x6 X4






31

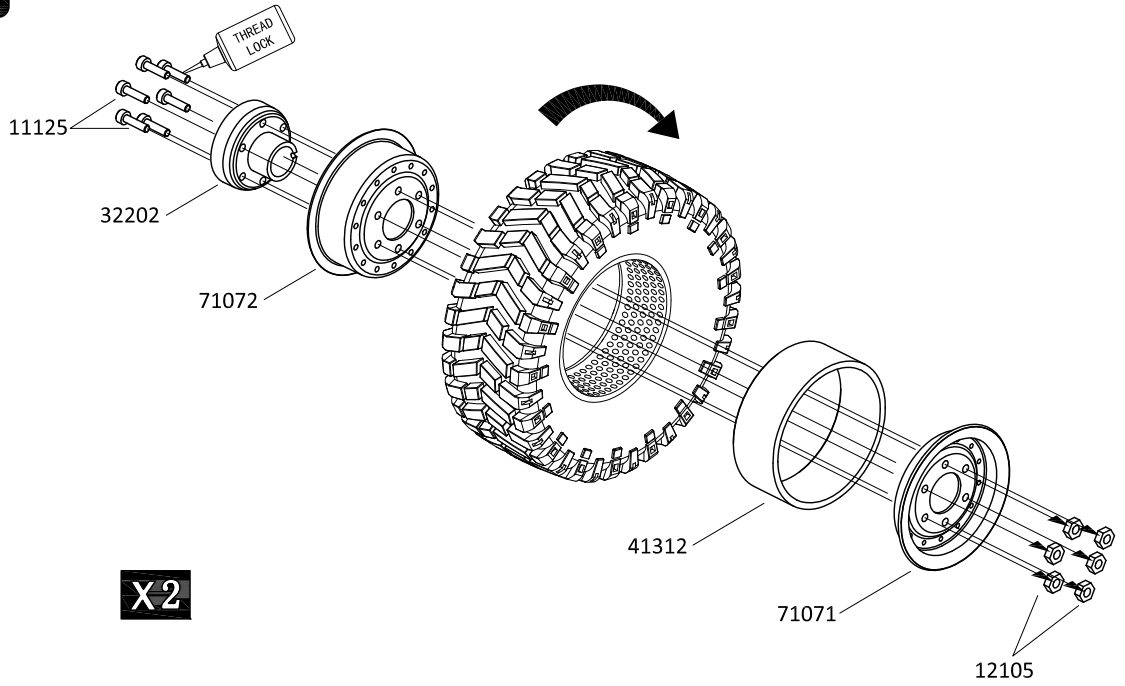
X4



32



X2

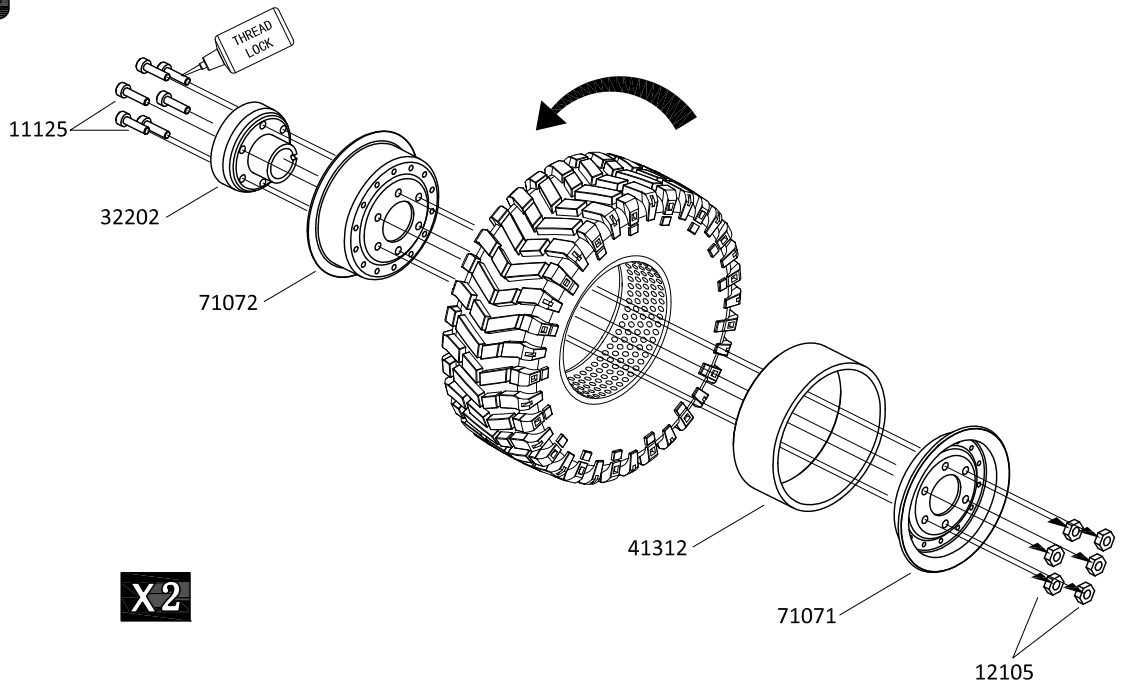
- 12105  M2.5 X12
- 11125  M2.5x10 X12
- 11119  M2.5x16 X2

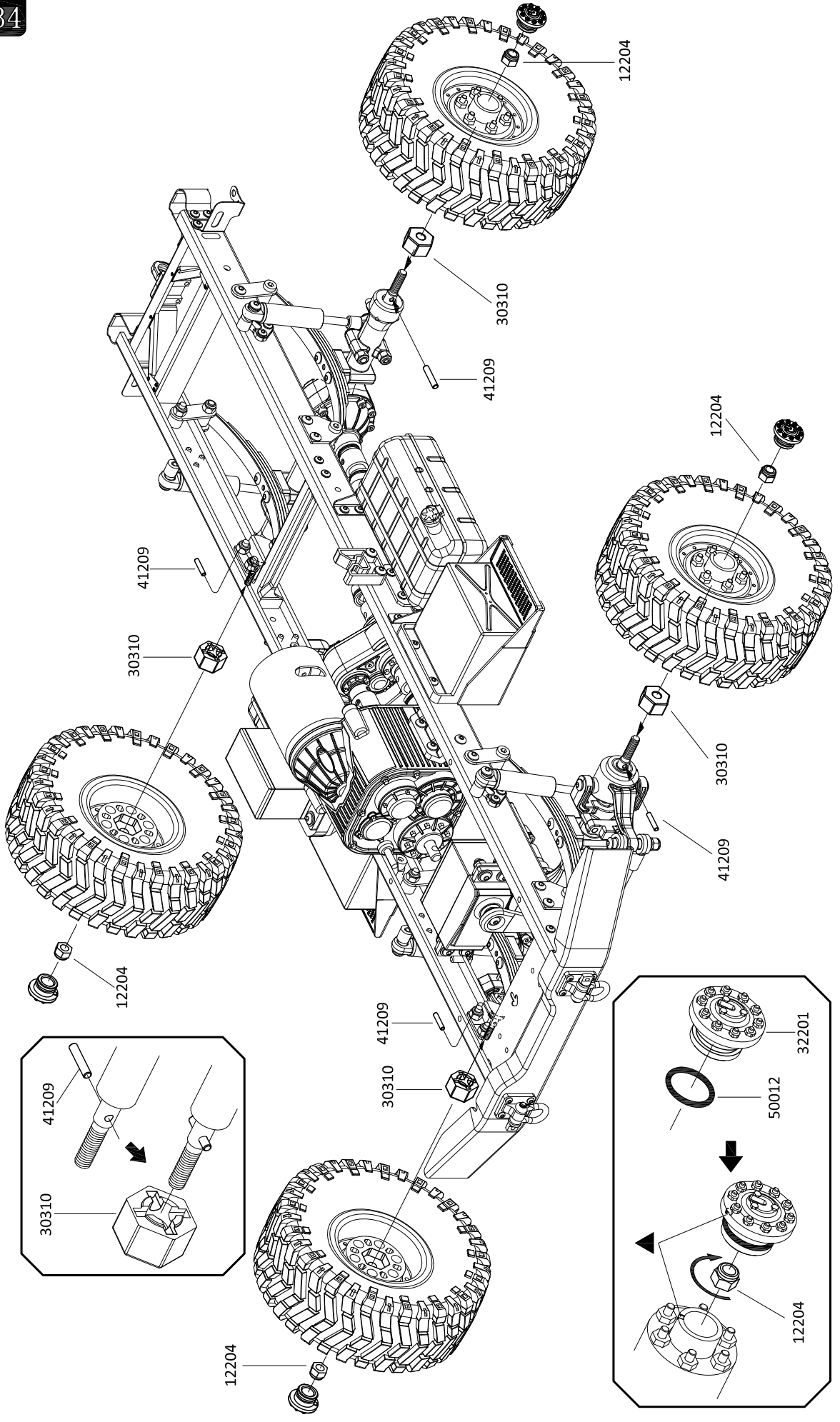
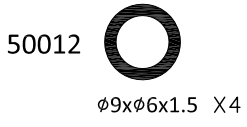
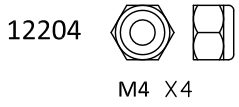


33

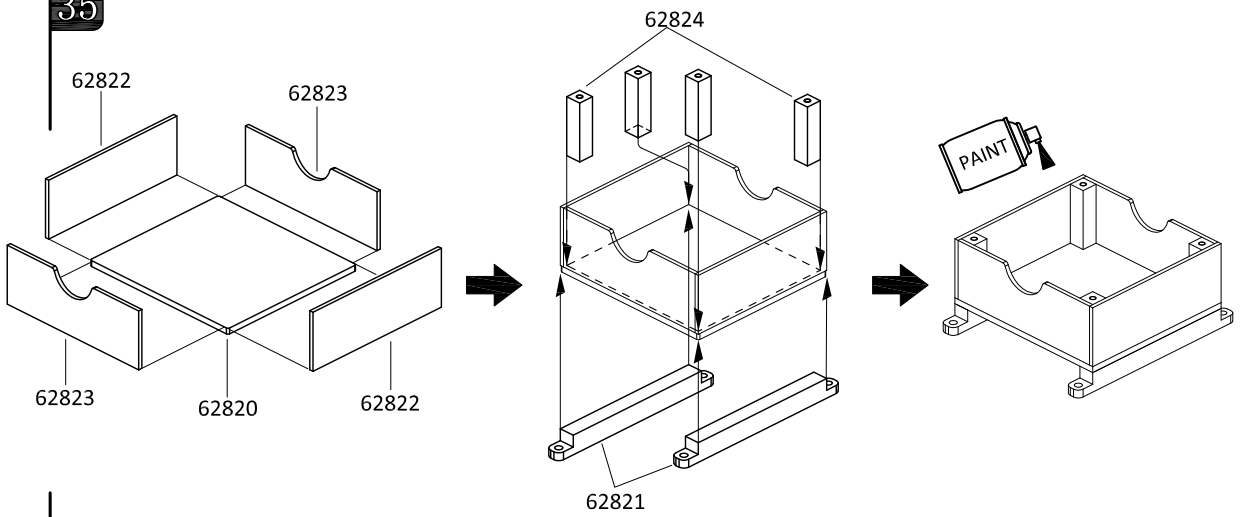
X2

- 12105  M2.5 X12
- 11125  M2.5x10 X12



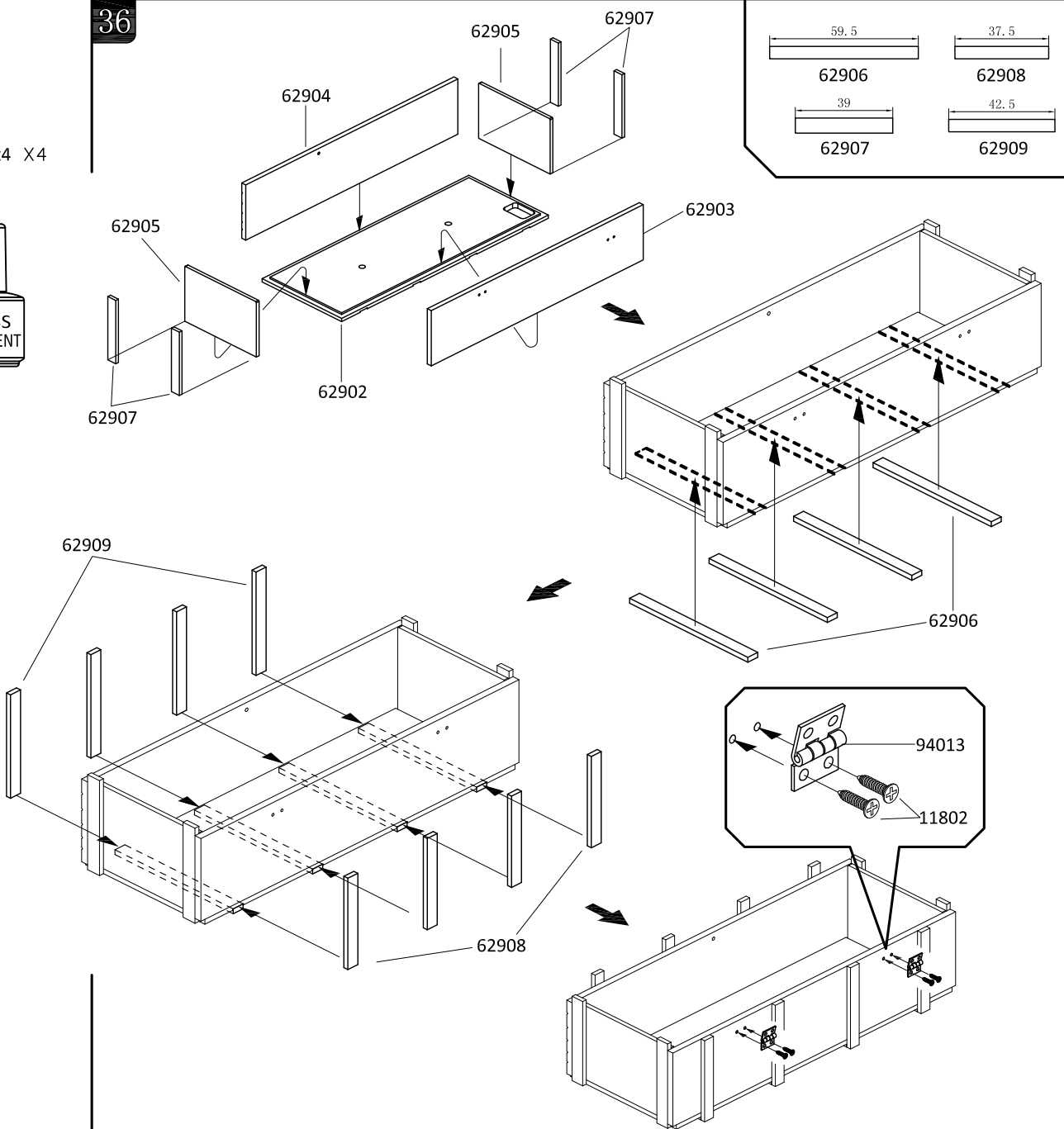
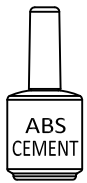


35




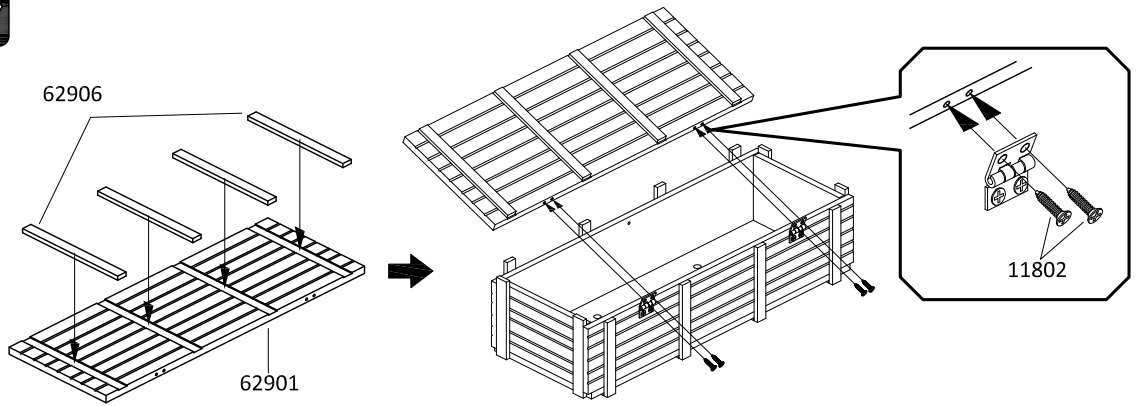
36

11802 ST1.4x4 X4




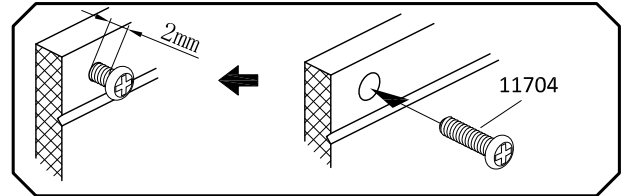
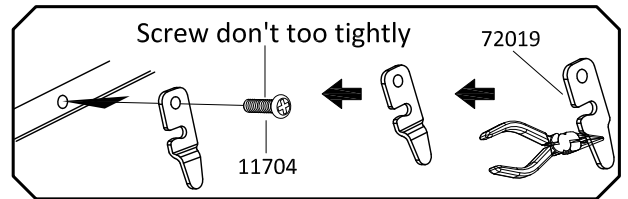
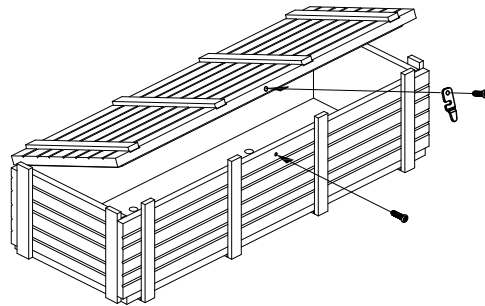
37

11802  ST1.4x4 X4

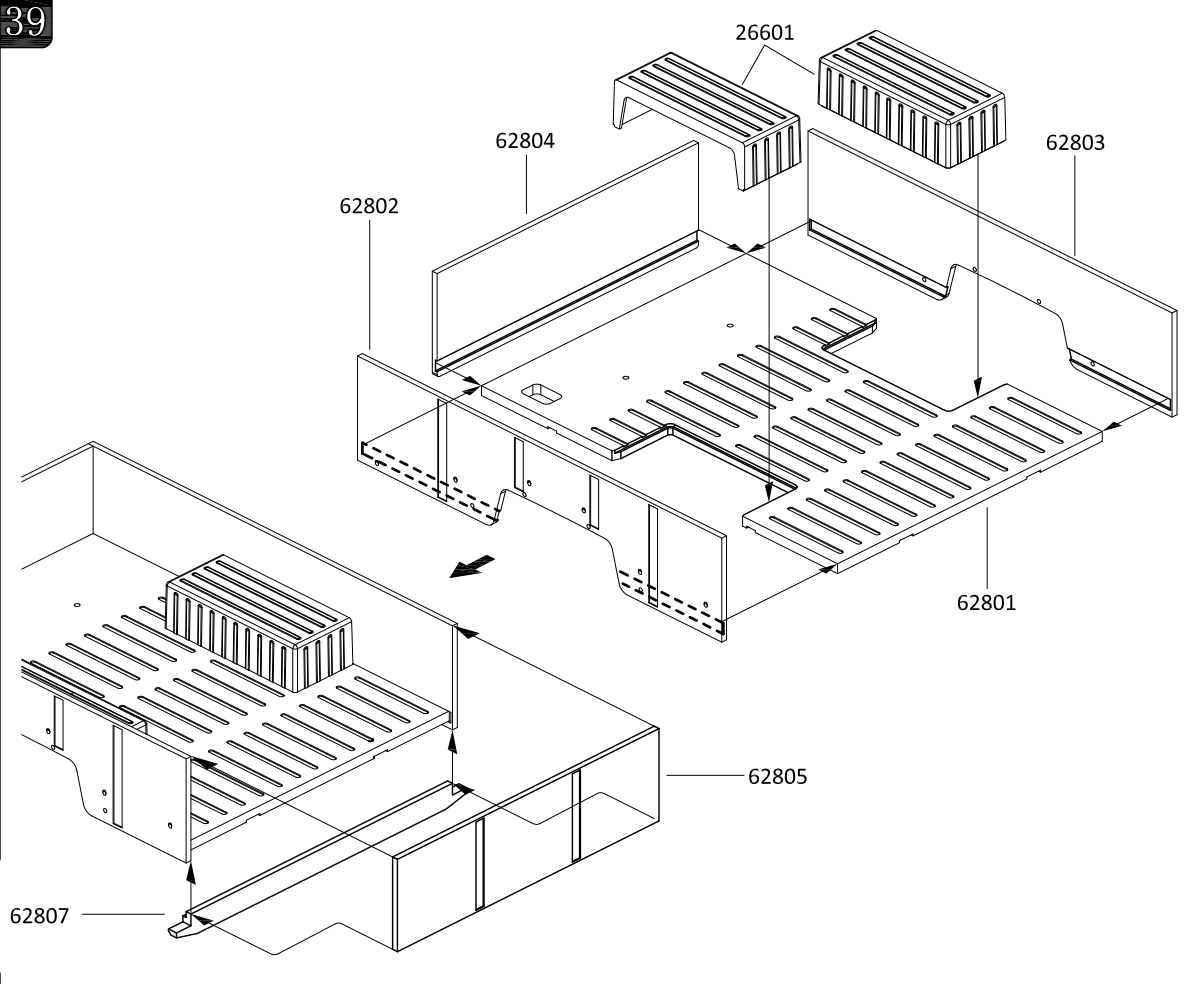


38

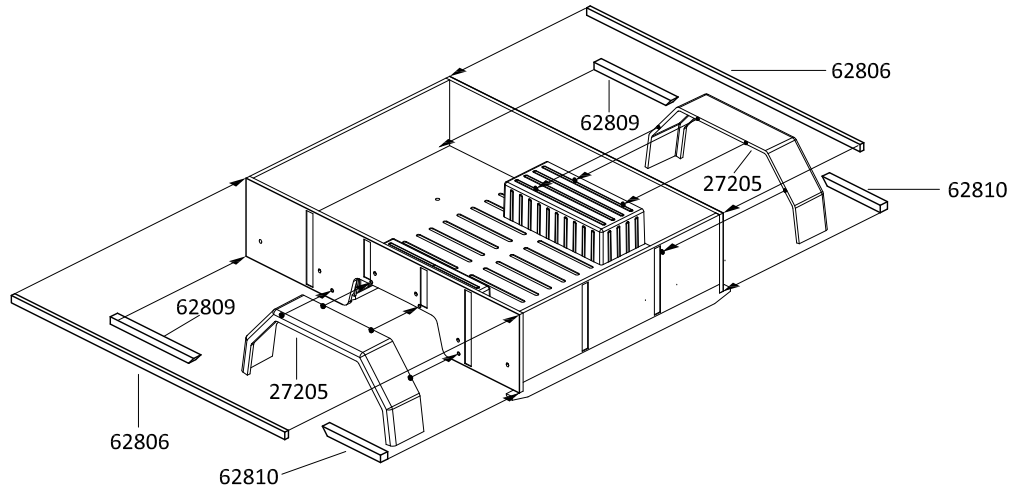
11704  M1.6x6 X2



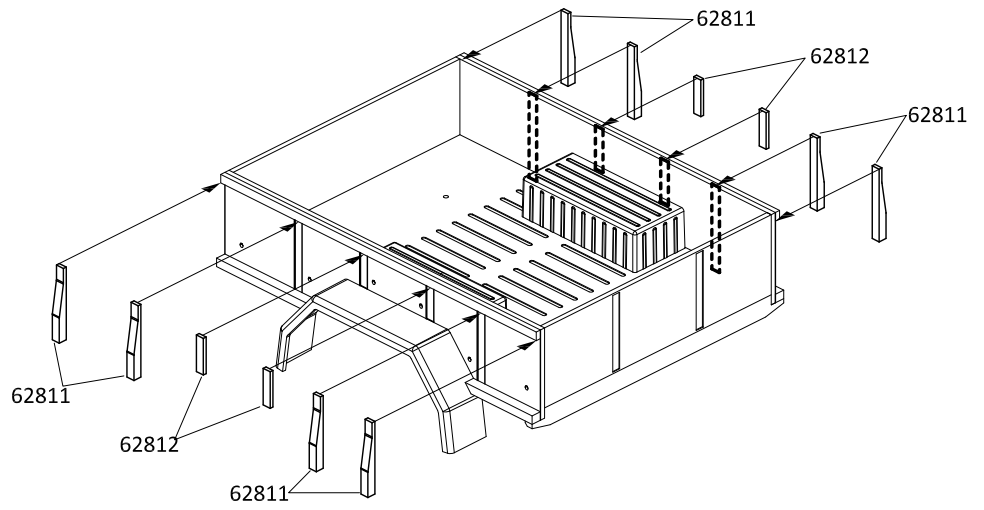
39



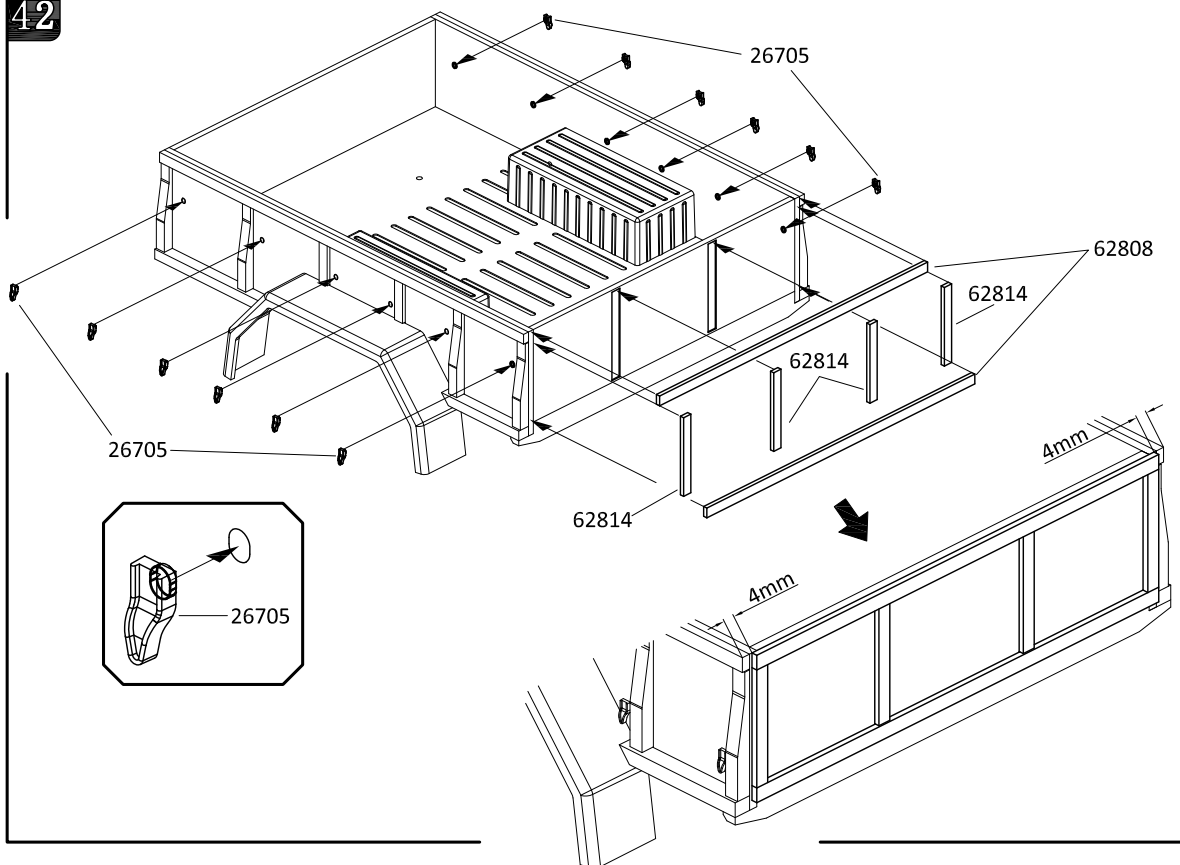
40



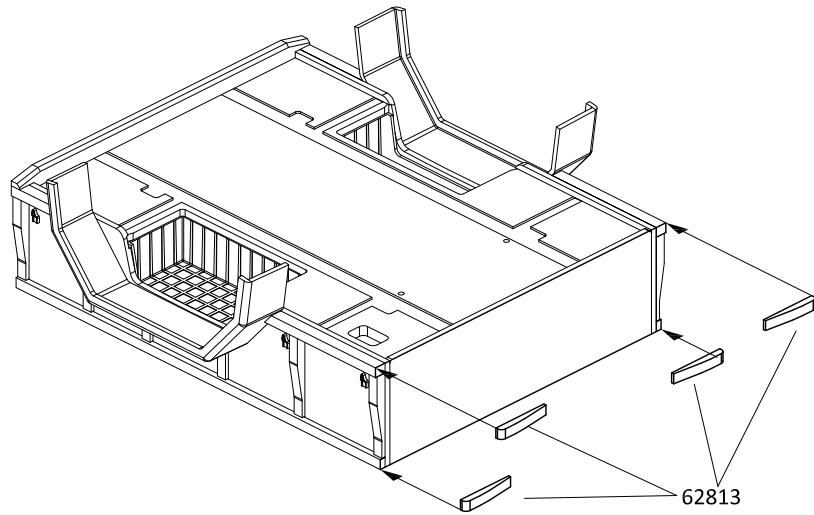
41



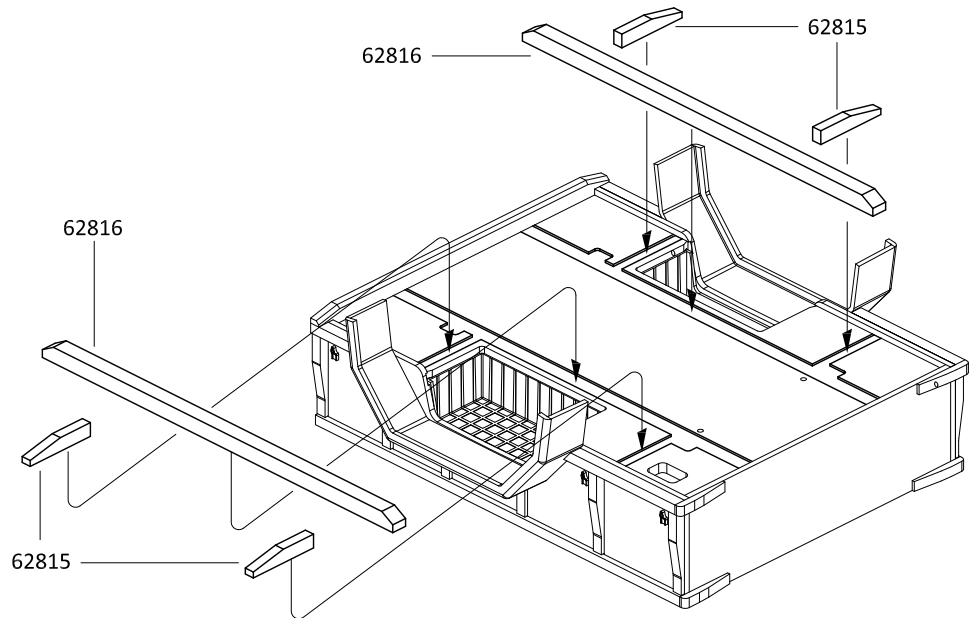
42



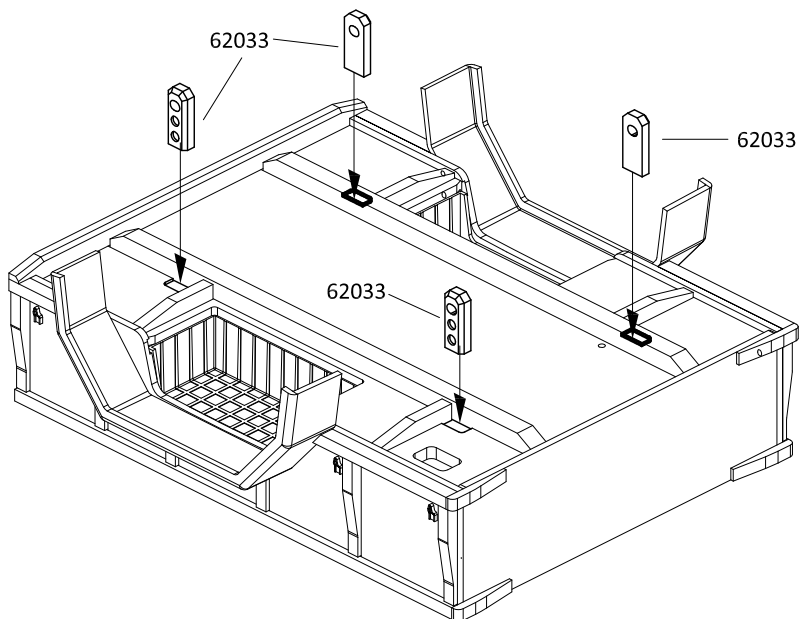
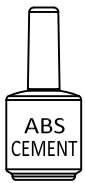
43



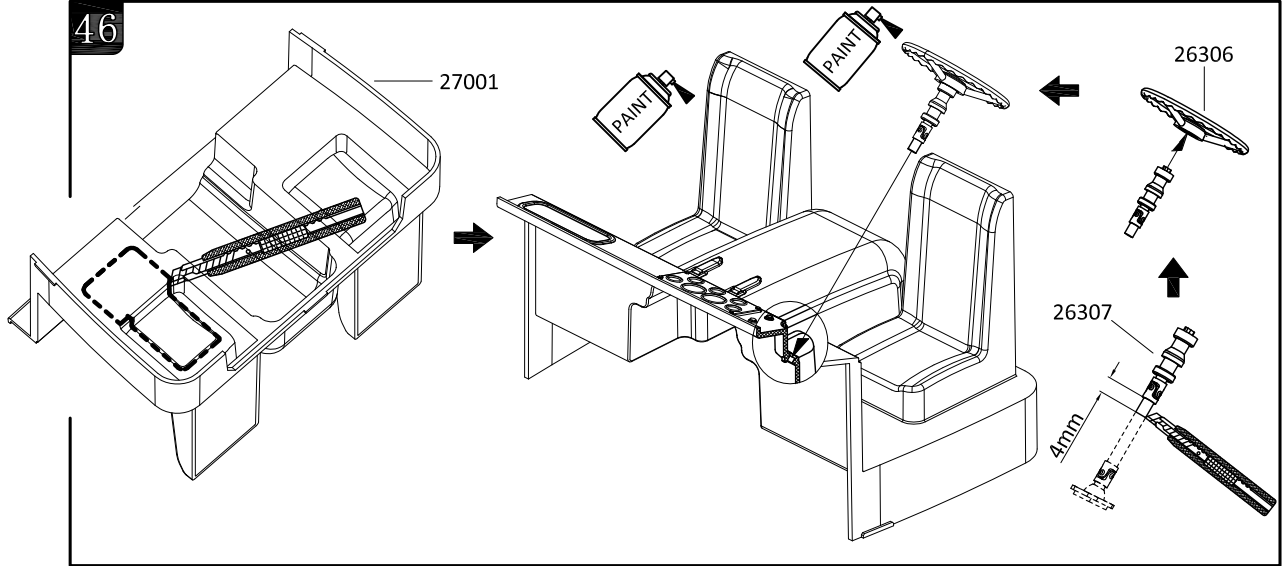
44



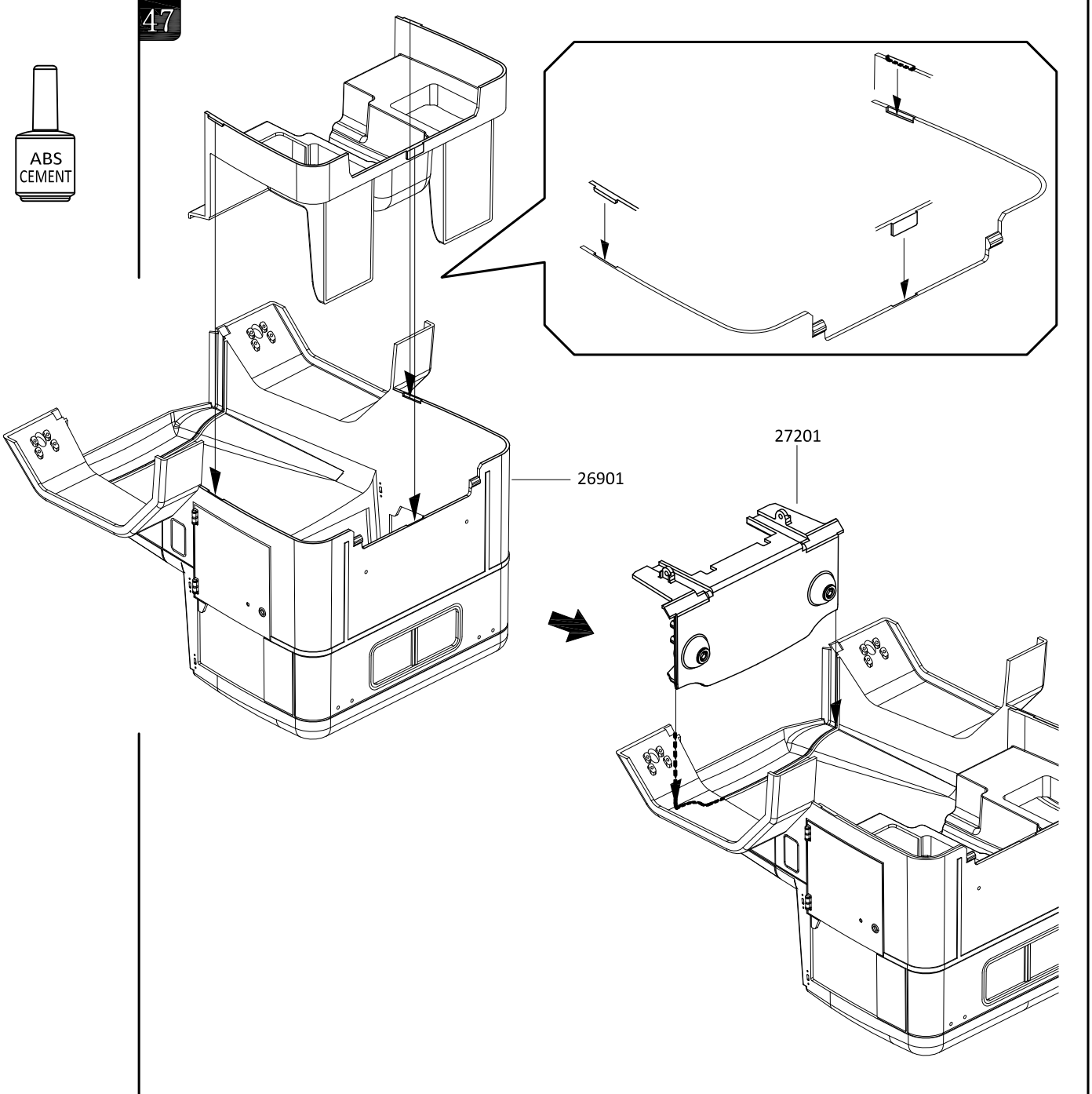
45



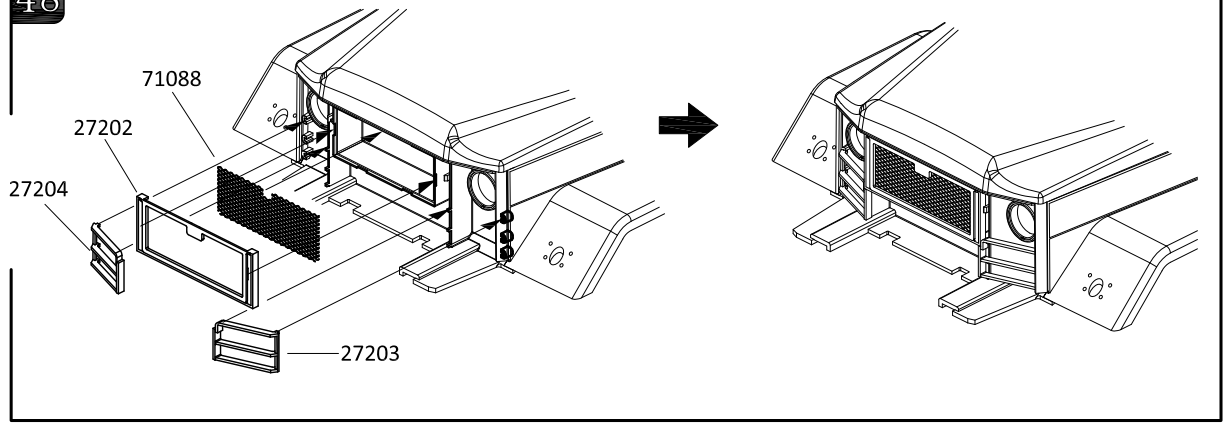
46



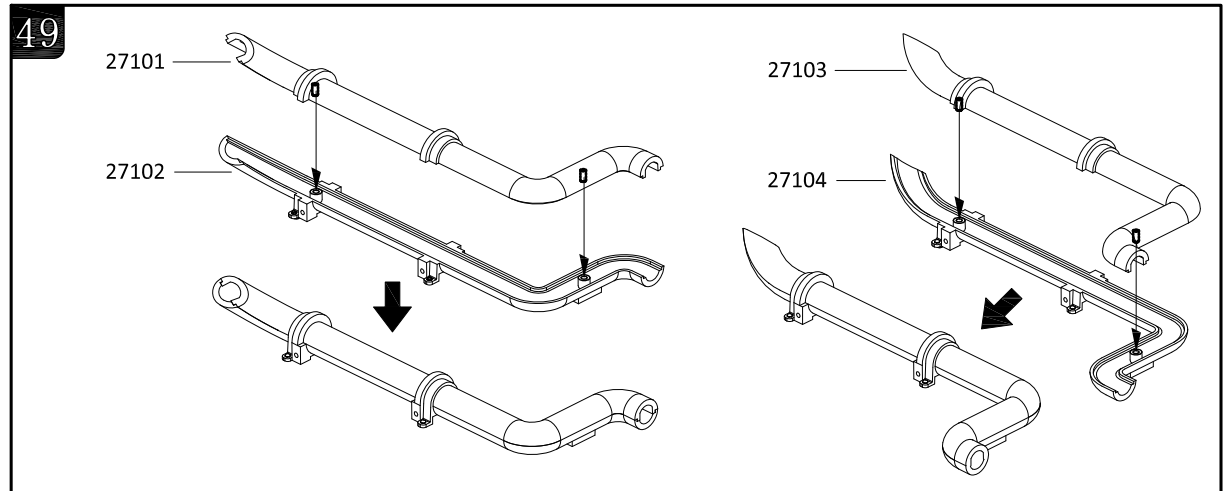
47



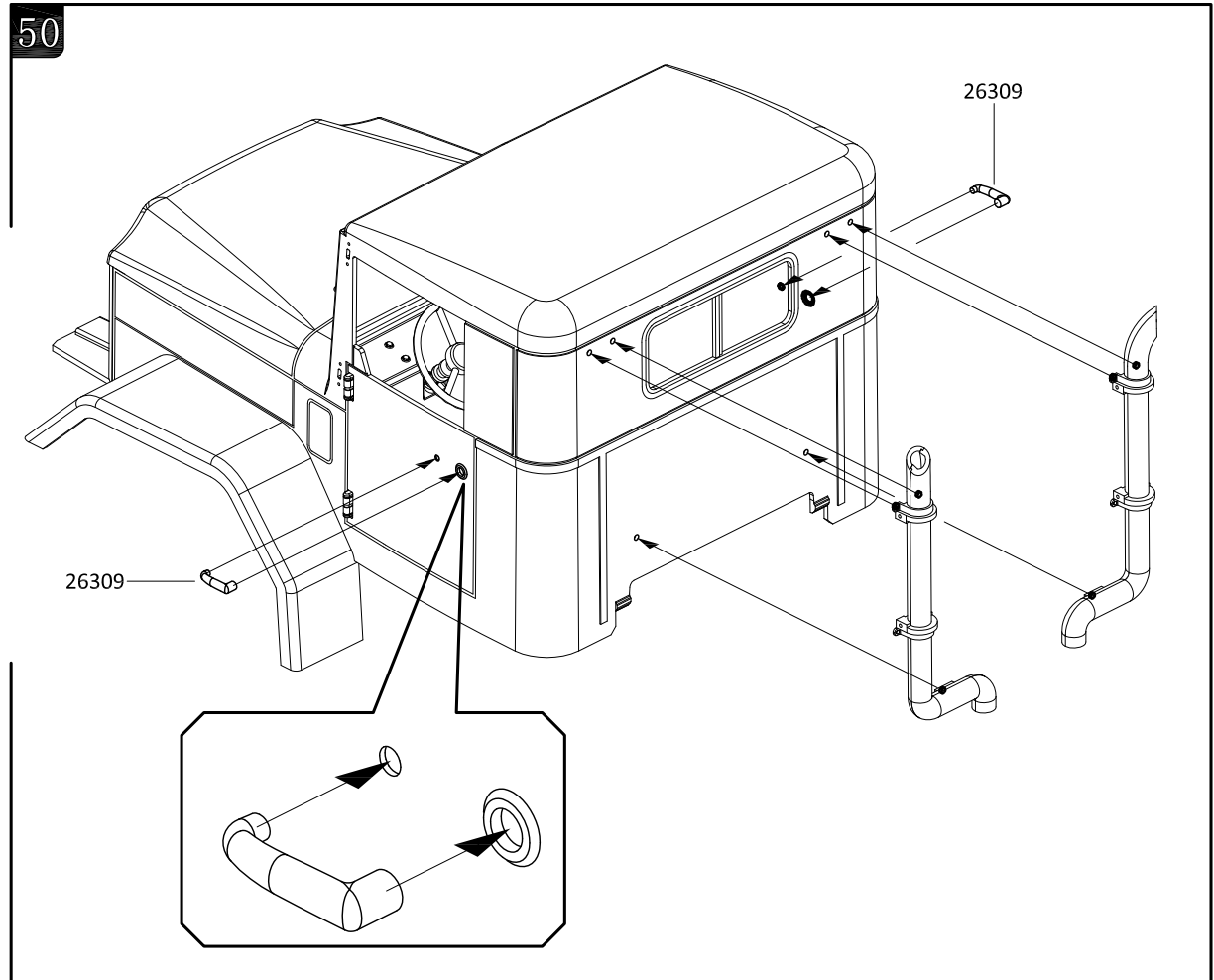
48



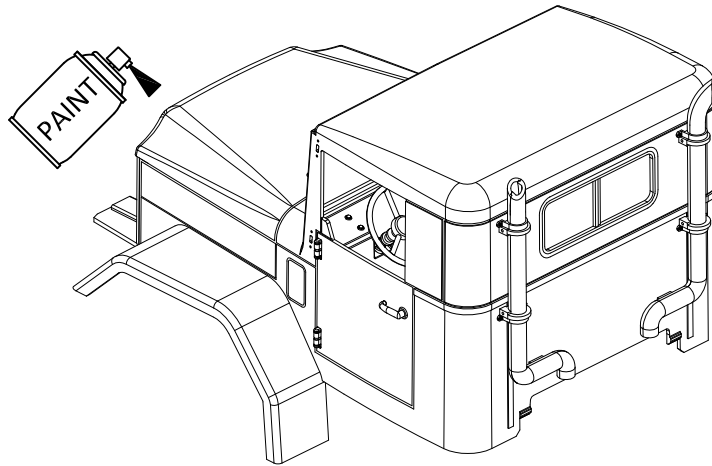
49



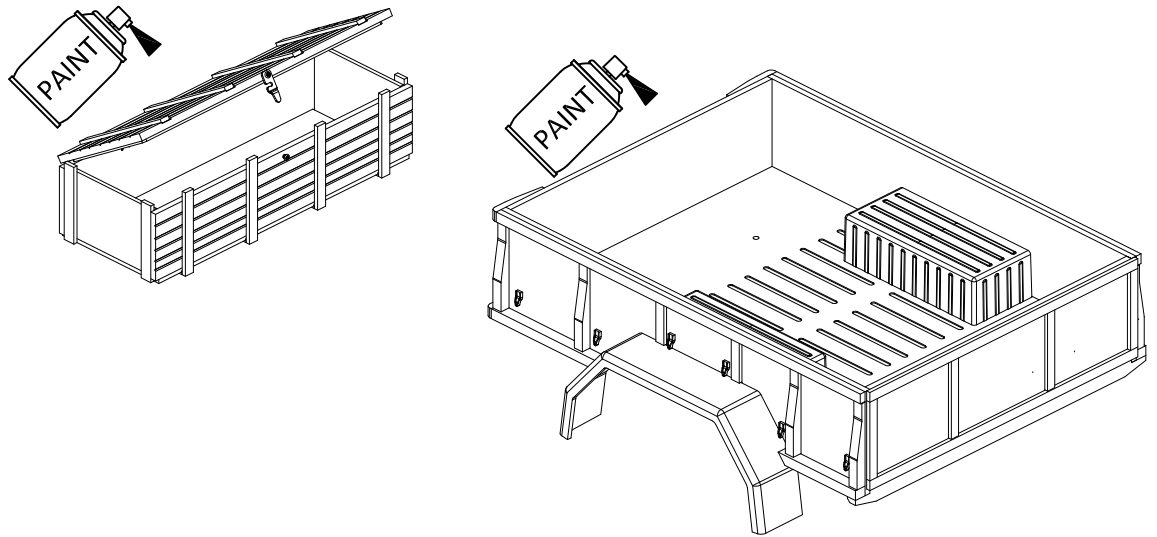
50



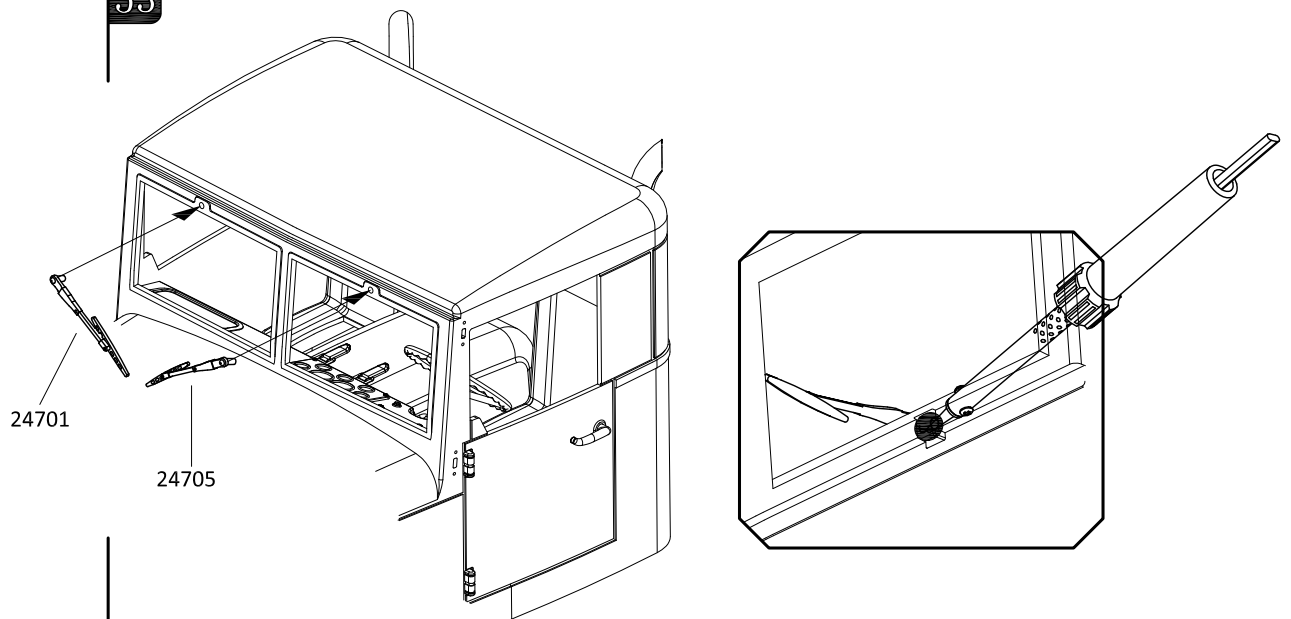
51



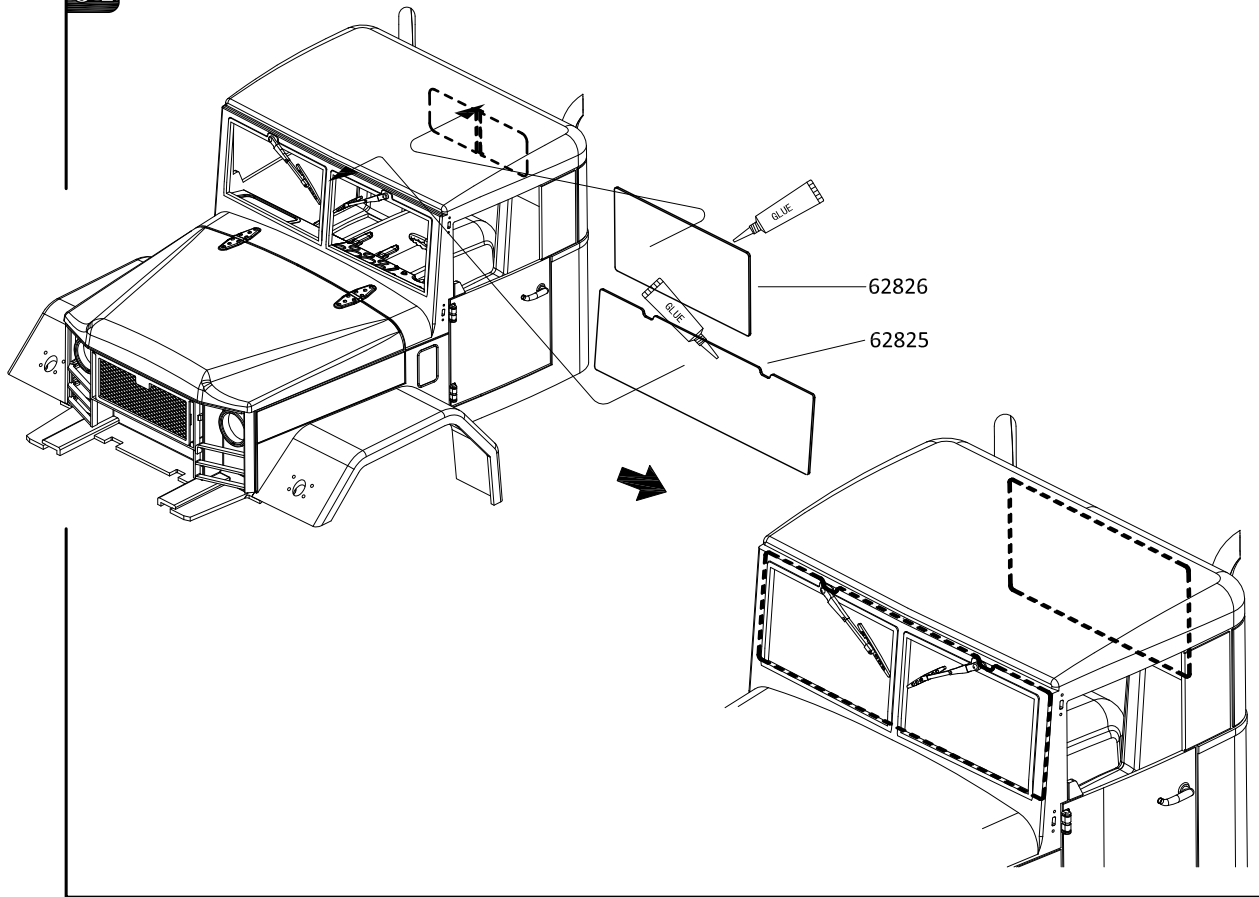
52




53

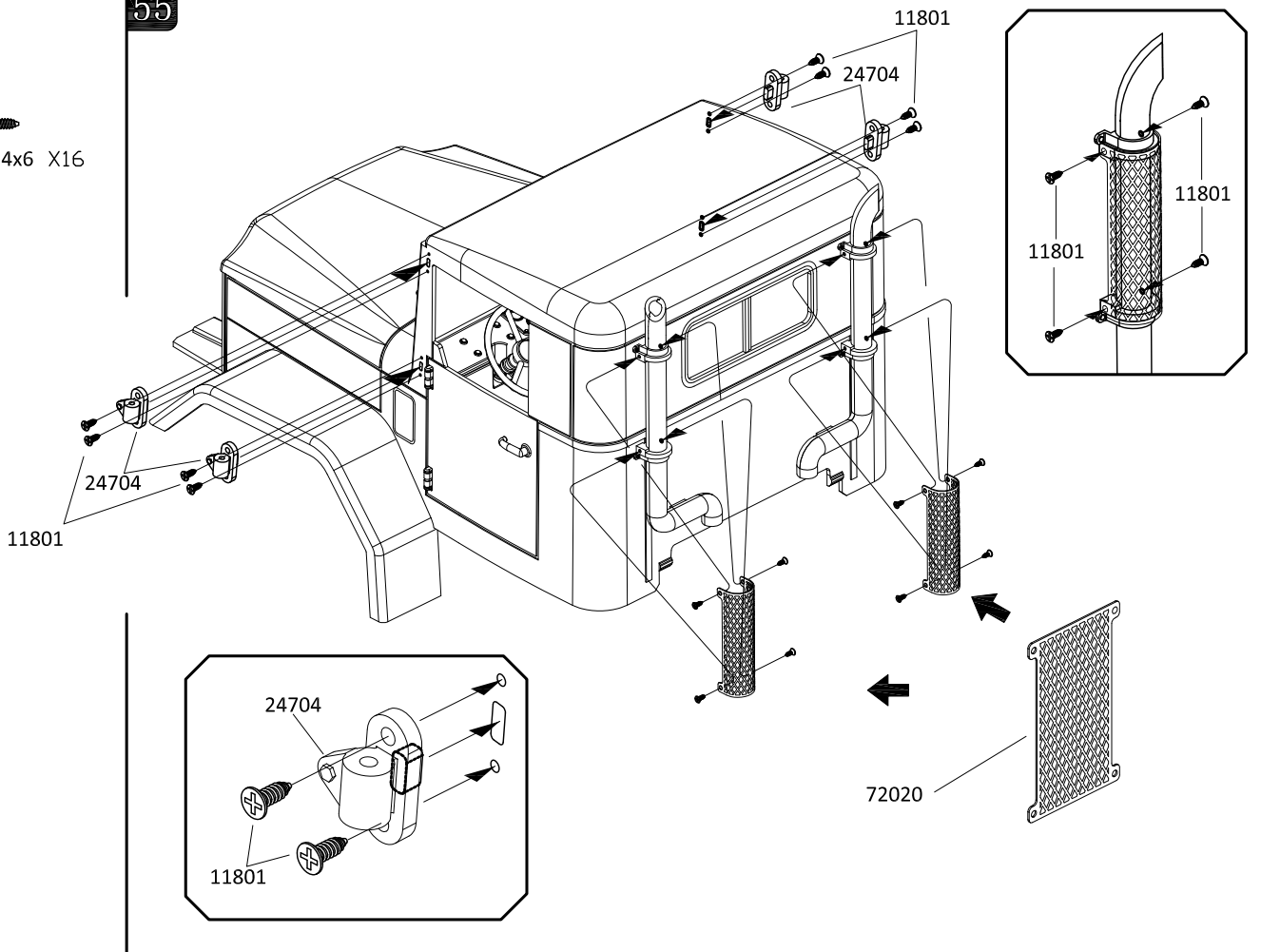


54



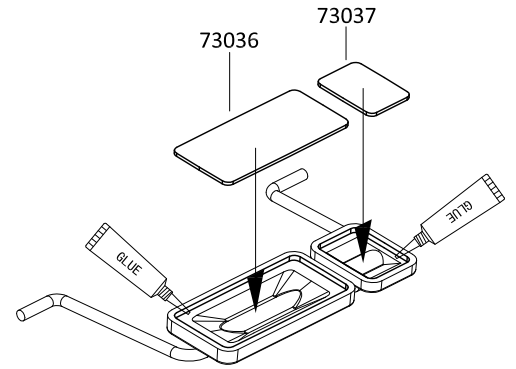
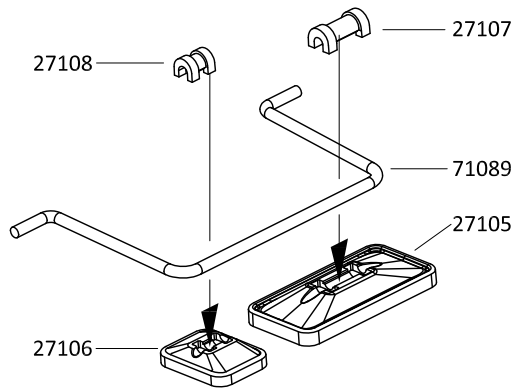
55

11801 
ST1.4x6 X16



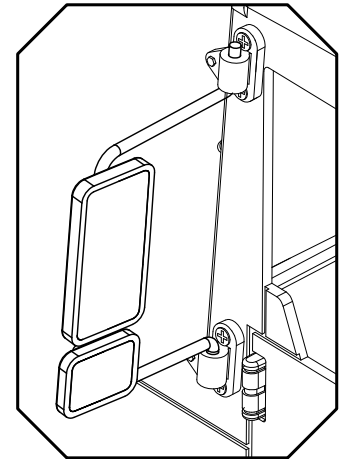
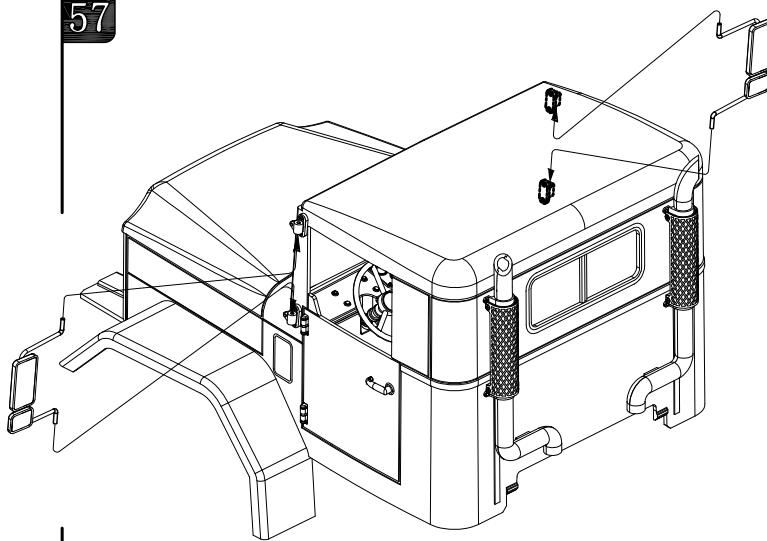


56





X2


57

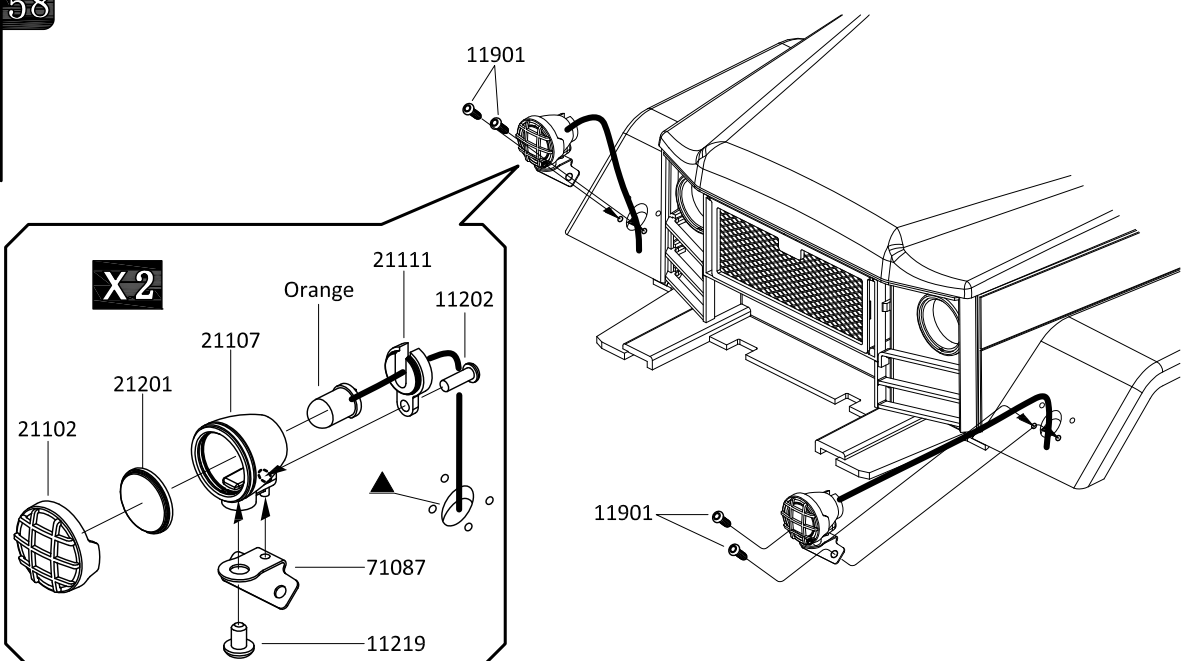


58


11901  ST2x6 X4

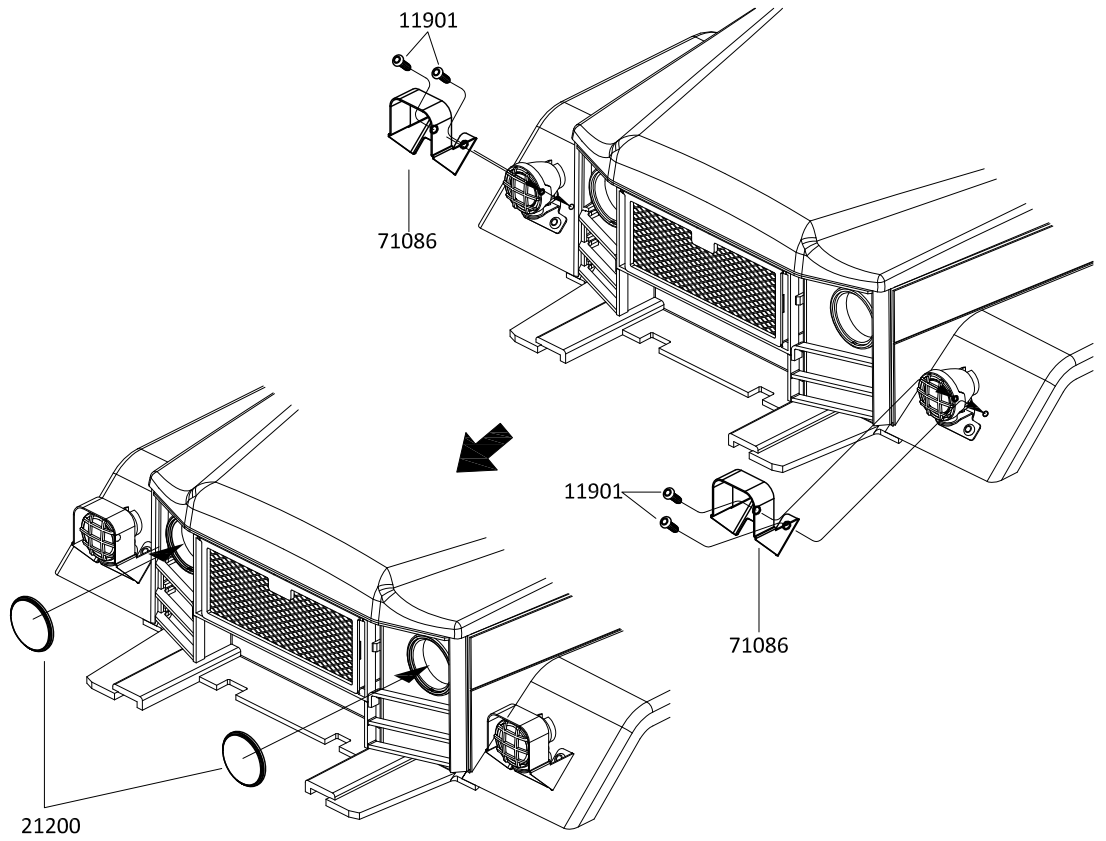
11202  M2x6 X2

11219  M3x4 X2

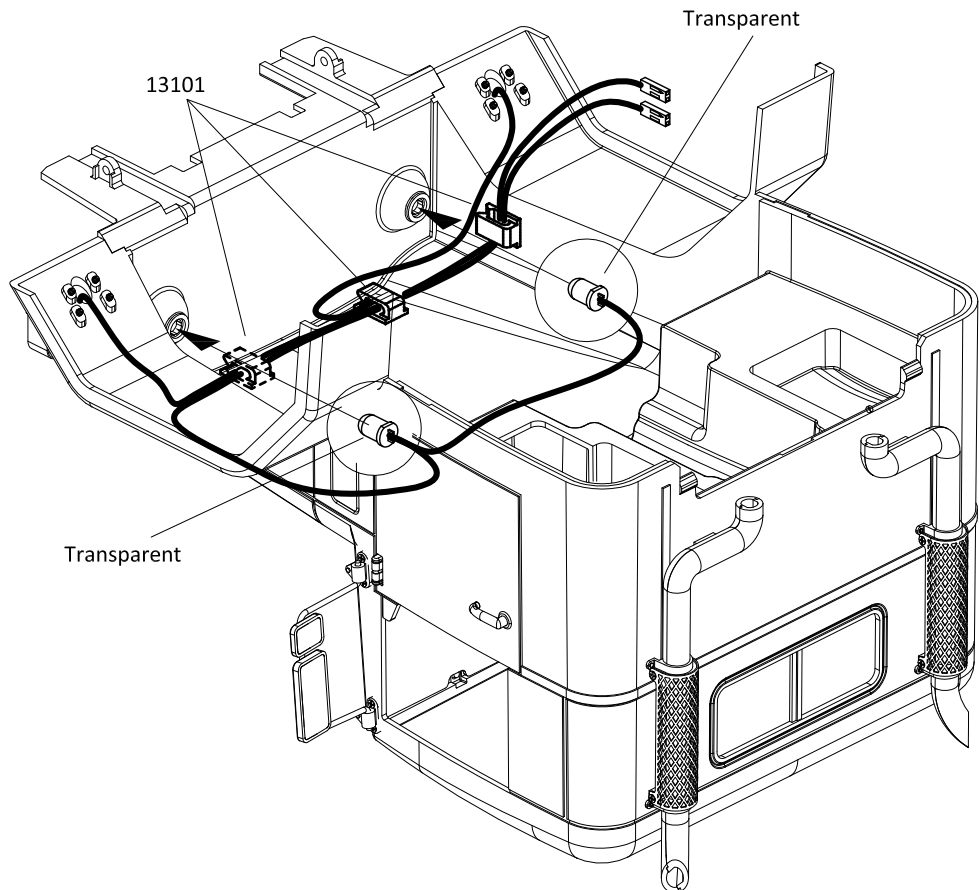


59

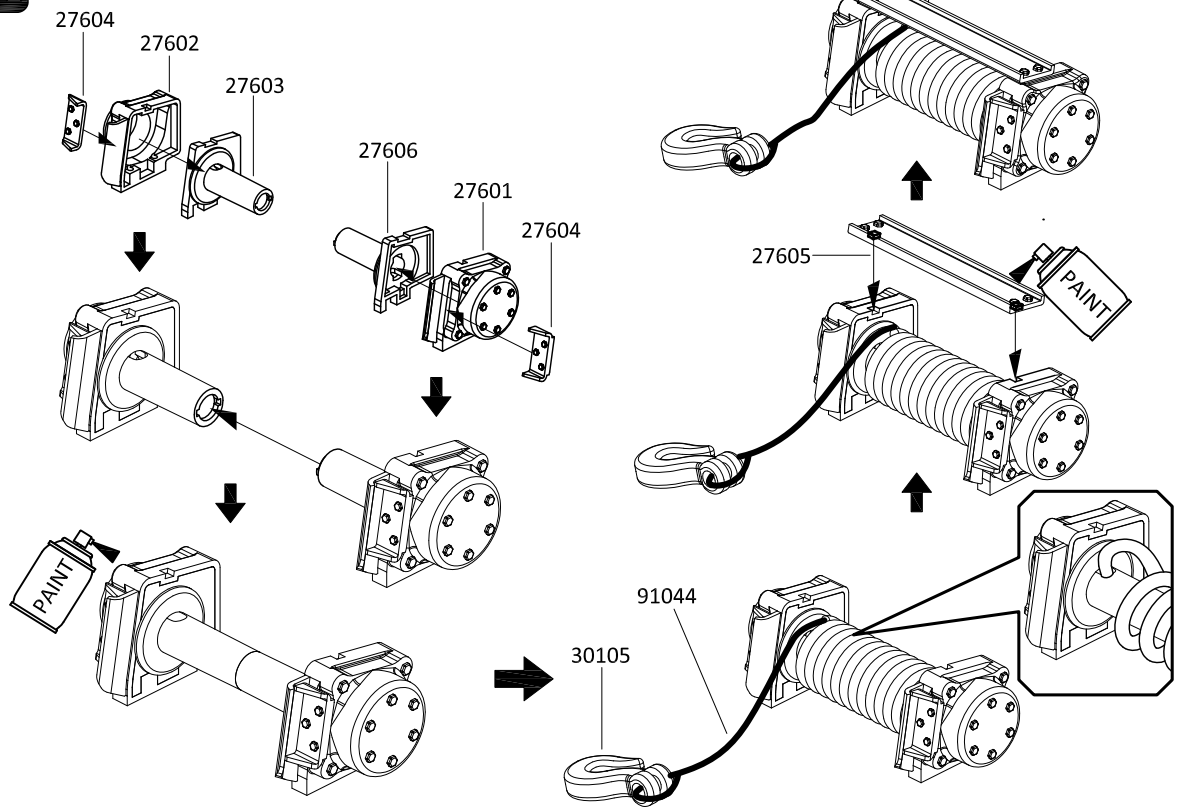
11901  ST2x6 X4




60




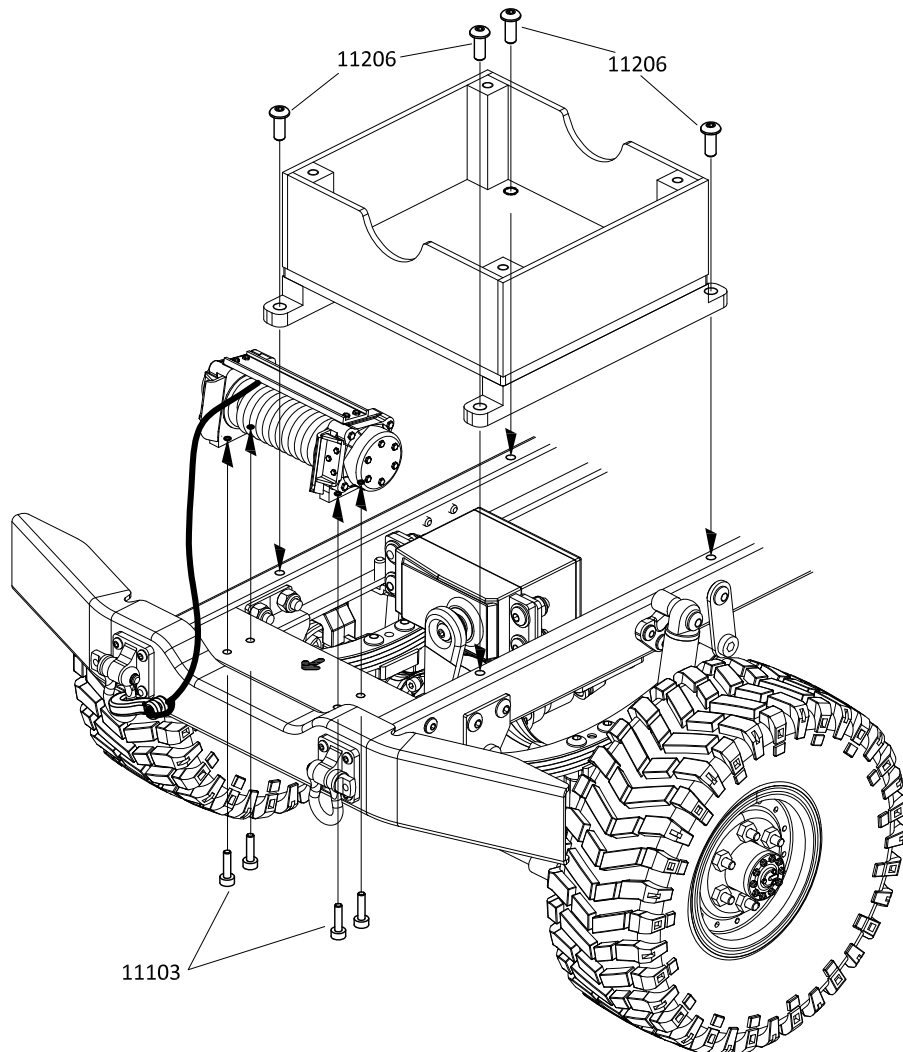
61



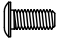
62


11103  M2x8 X4


11206  M3x8 X4

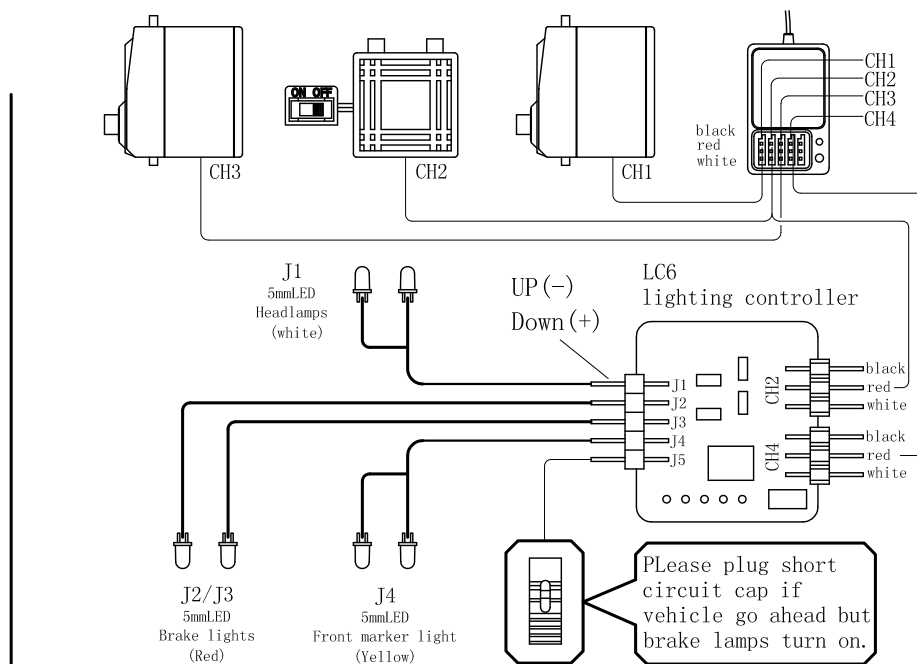
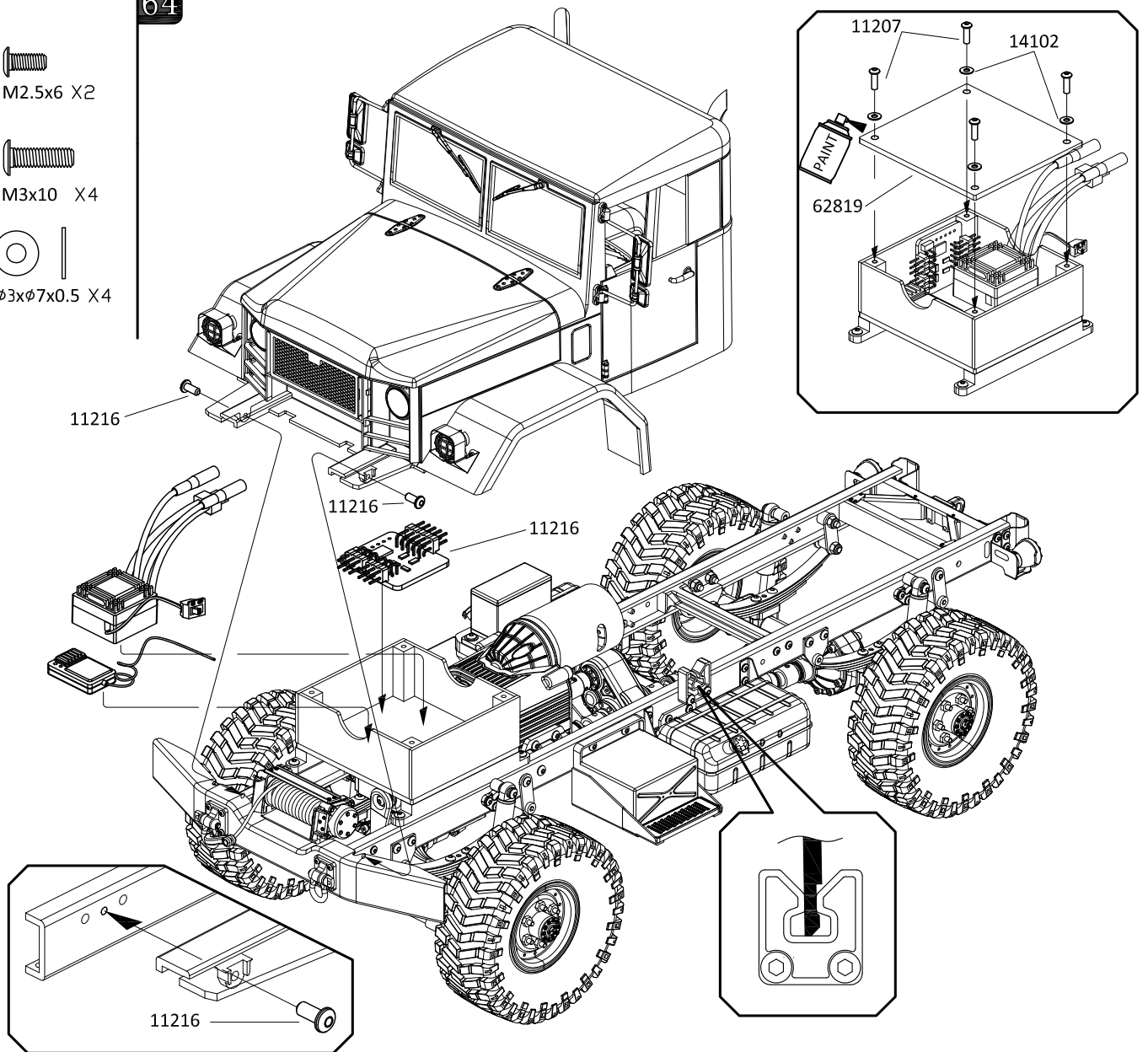


64

11216 
M2.5x6 X2


11207 
M3x10 X4

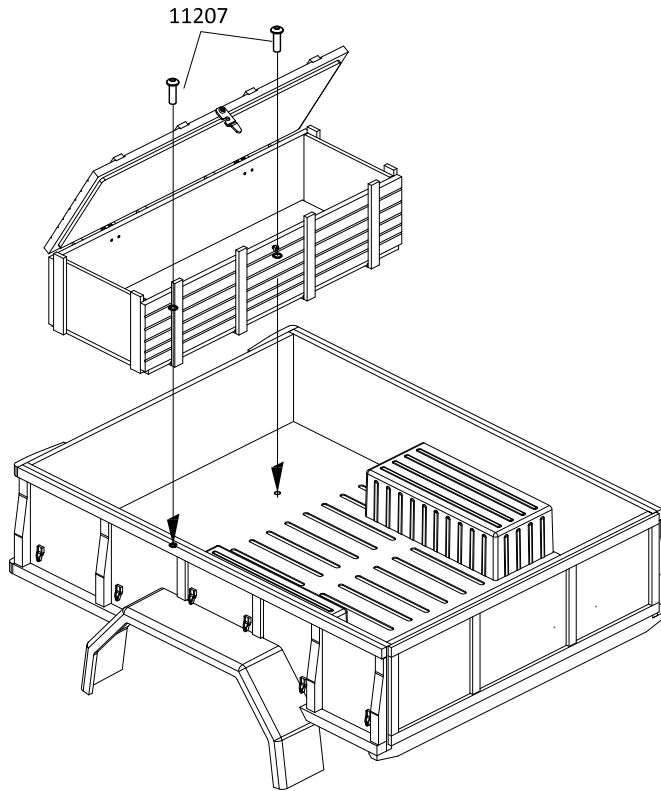
14102 
φ3xφ7x0.5 X4




1. Do not connect CH4, headlights are normally on.
2. When connecting CH4, headlights on and off can be controlled


65

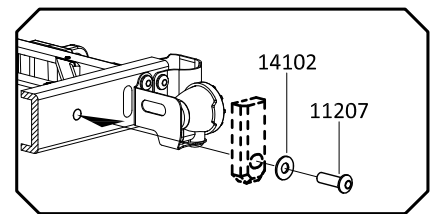
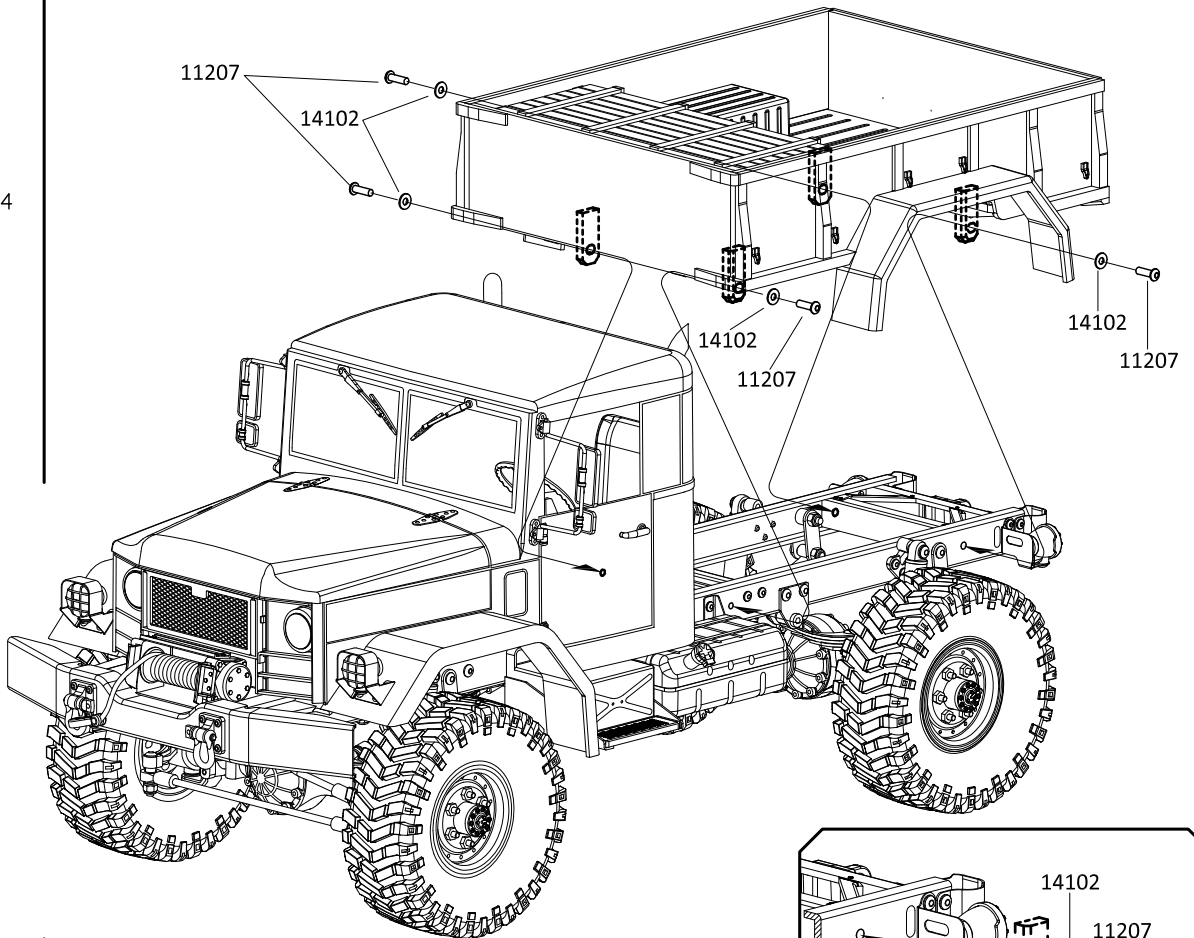
11207 
M3x10 X2



66

11207 
M3x10 X4

14102 
ø3xø7x0.5 X4



67

