

1/10 SCALE 4x4

OFF ROAD TRUCK R/C MODEL

**GC4**

PREMIUM  
*Quality*  
GUARANTEED

WWW.CROSS-RC.COM



**CROSSRC**

USER'S MANUAL

**CAUTIONS**



To prevent serious personal injury and/or property damage, operate all remotely controlled models in a responsible manner as outlined herein.

**● Safety Precautions**

- 1.1 Choose a right place to operate your RC model.
- 1.2 Do not operate your RC model on the street or highway. It can cause a serious damage or a serious accident.
- 1.3 Never operate your RC model near people or animals.
- 1.4 Do not operate RC model in public places like hospital and residential areas.
- 1.5 Never operate RC model indoors. There is a higher possibility of fire or damage.
- 1.6 Keep the parts out of reach of children, small parts can cause choking and vinyl bags can suffocate.
- 1.7 Do not use with children younger than 14 years.

**● Inspect your RC model before operation**

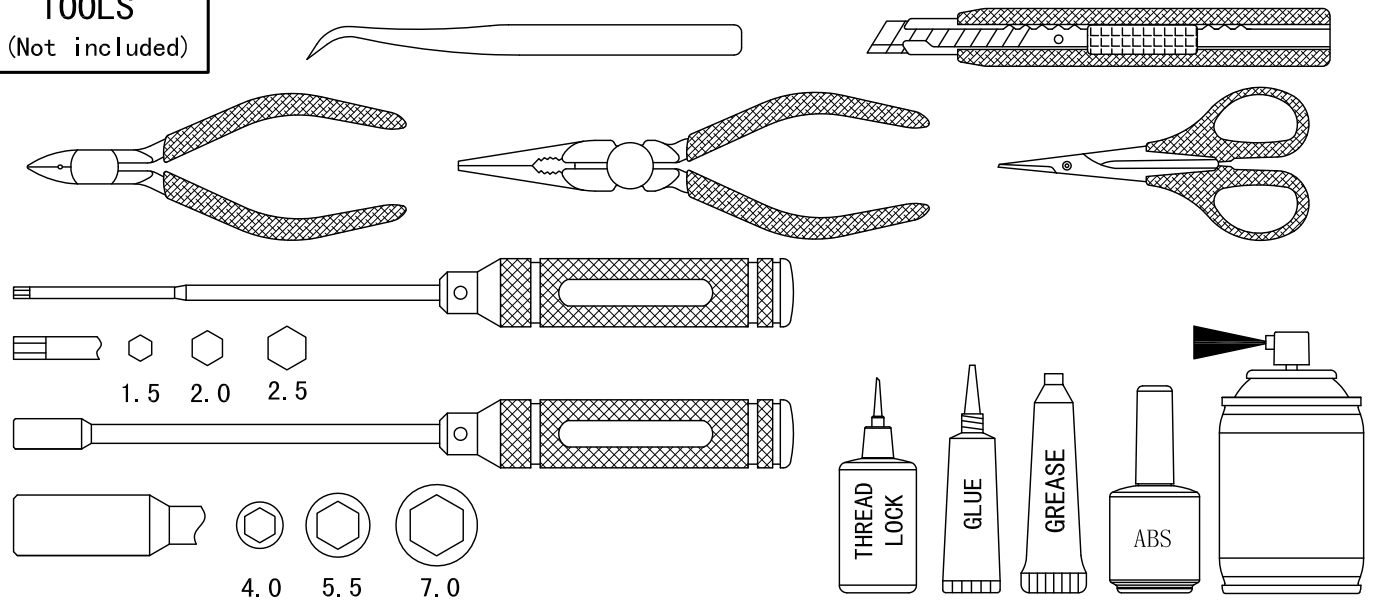
- 2.1 Make sure that all screws and nuts are properly tightened. It is also a good idea to use removable thread lock wherever metal screws go into metal, especially for engine mounts and the engine pilot shaft.
- 2.2 Always use fresh batteries for your transmitter and for your receiver to avoid losing control of the model.
- 2.3 Always test the brakes and throttle before starting your engine to avoid losing control of the model.
- 2.4 Always turn on the transmitter first, and then turn on the receiver.

**● After operation of your RC model**

- 3.1 Turn off receiver first, then turn off transmitter, this will prevent runaways.
- 3.2 Be careful when handling batteries, they will be hot after running.
- 3.3 Replace any batteries that have been dented or have frayed wires, short circuits can cause fire.

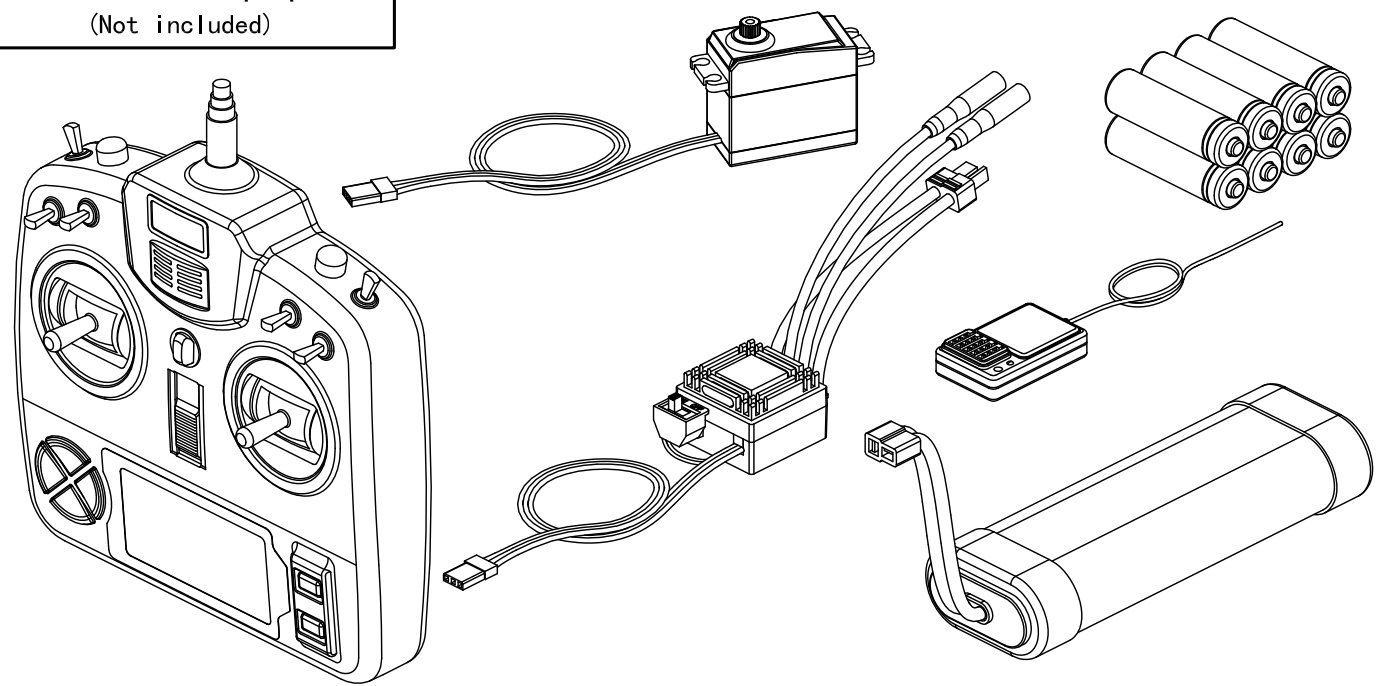
**TOOLS**

(Not included)

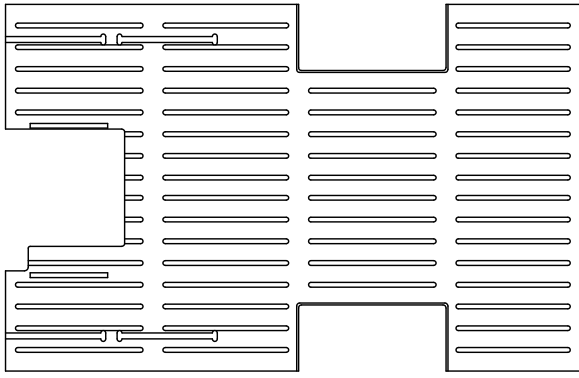


**Electronic equipment**

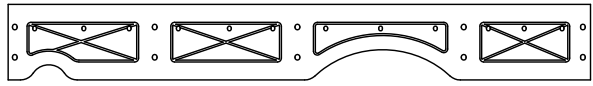
(Not included)



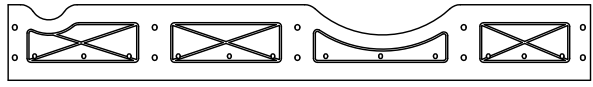
PLANK



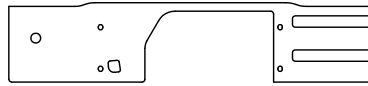
62001 X1



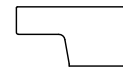
62002 X1



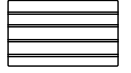
62003 X1



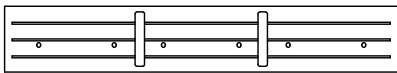
62004 X1



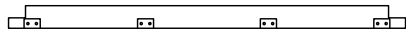
62014 X2



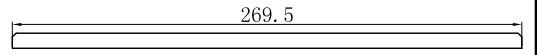
62015 X4



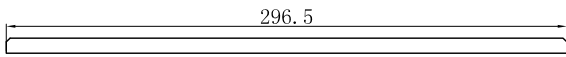
62005 X1



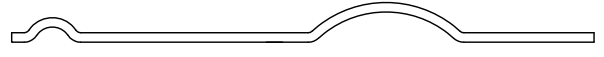
62006 X1



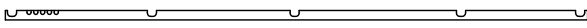
62007 X1



62008 X1



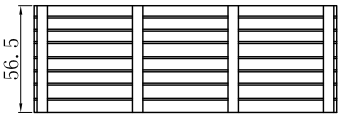
62009 X2



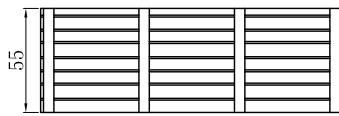
62010 X1



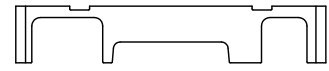
62011 X1



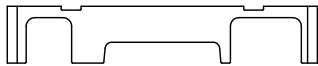
62012 X1



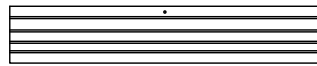
62013 X1



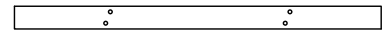
62016 X1



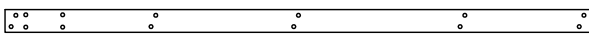
62017 X1



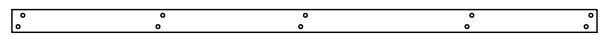
62018 X1



62019 X3



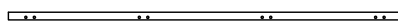
62020 X2



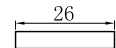
62021 X4



62022 X1



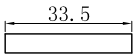
62023 X1



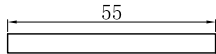
62024 X4



62025 X6



62026 X14



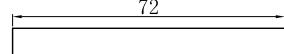
62027 X8



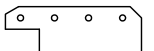
62028 X4



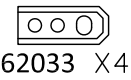
62029 X6



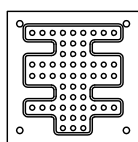
62030 X3



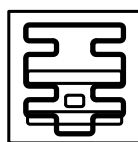
62031 X2



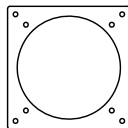
62033 X4



62034 X1



62035 X1



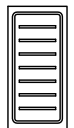
62036 X1



62037 X1



62038 X1



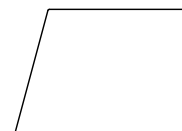
62039 X2



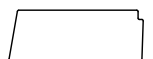
62101 X1



62102 X1

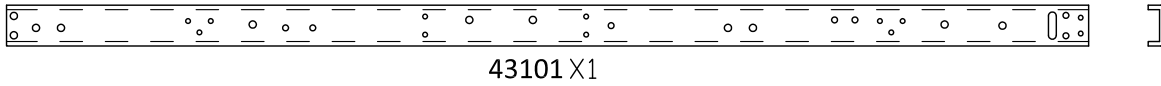


62103 X2

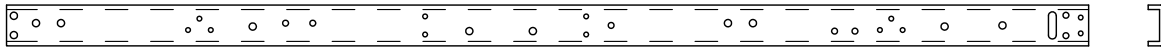


62104 X2

FRAMES

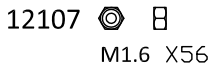


43101 X1

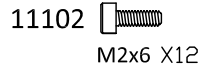


43102 X1

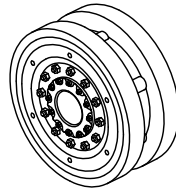
BAG (A)



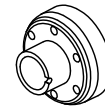
12107 M1.6 X56



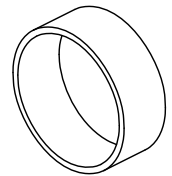
11102 M2x6 X12



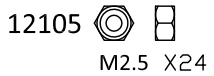
20001 X1



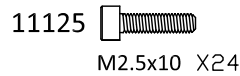
32202 X4



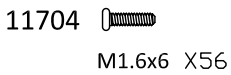
41312 X4



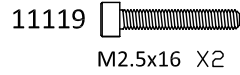
12105 M2.5 X24



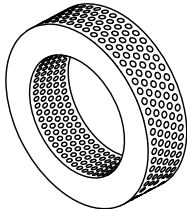
11125 M2.5x10 X24



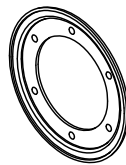
11704 M1.6x6 X56



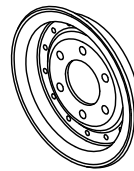
11119 M2.5x16 X2



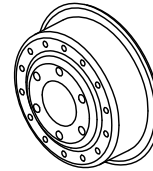
42302 X5



71031 X2



71071 X4

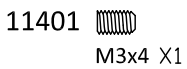


71072 X4

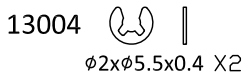


50006 X5

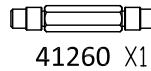
BAG (B)



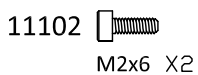
11401 M3x4 X1



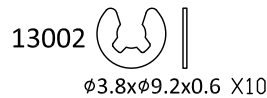
13004  $\phi 2 \times \phi 5.5 \times 0.4$  X2



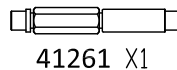
41260 X1



11102 M2x6 X2



13002  $\phi 3.8 \times \phi 9.2 \times 0.6$  X10



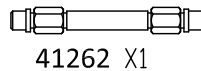
41261 X1



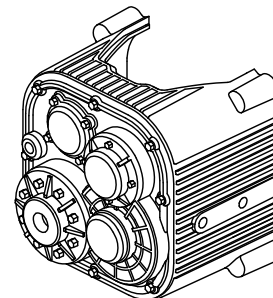
11106 M3x8 X2



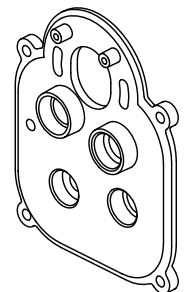
15003  $\phi 5 \times \phi 10 \times 4$  X12



41262 X1



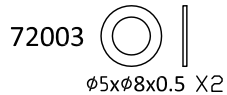
31401 X1



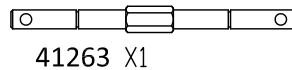
31402 X1



11219 M3x4 X3



72003  $\phi 5 \times \phi 8 \times 0.5$  X2



41263 X1



31403 X1



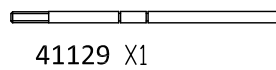
31404 X1



11207 M3x10 X4



72007  $\phi 5 \times \phi 8 \times 0.3$  X2



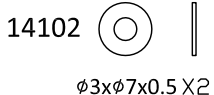
41129 X1



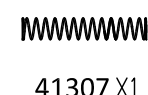
31405 X1



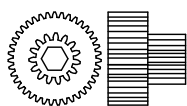
41303(14T) X1



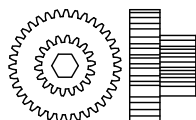
14102  $\phi 3 \times \phi 7 \times 0.5$  X2



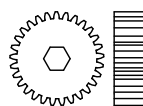
41307 X1



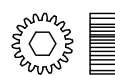
25201 X1



25202 X1



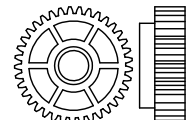
25203 X1



25204 X1

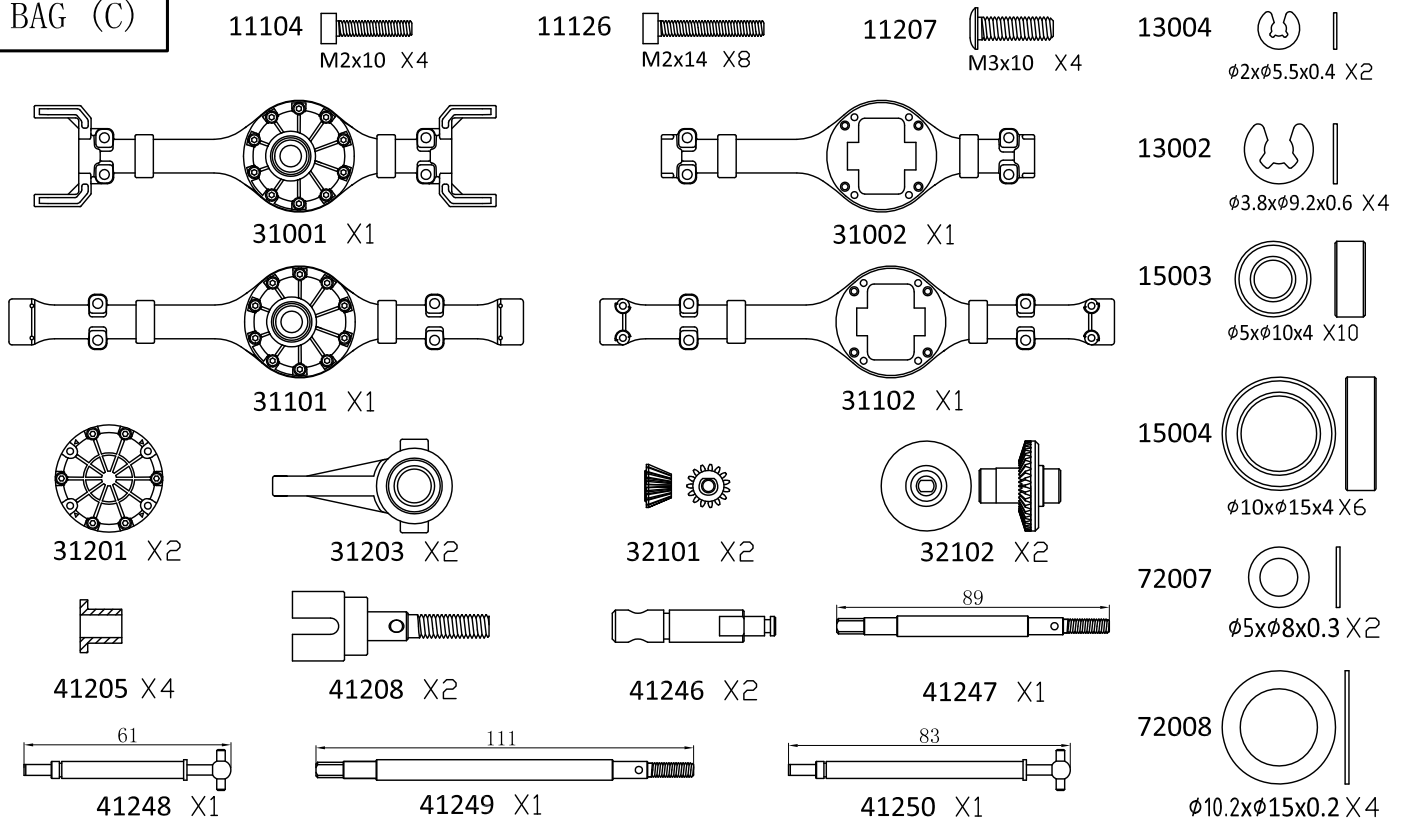


25205 X1

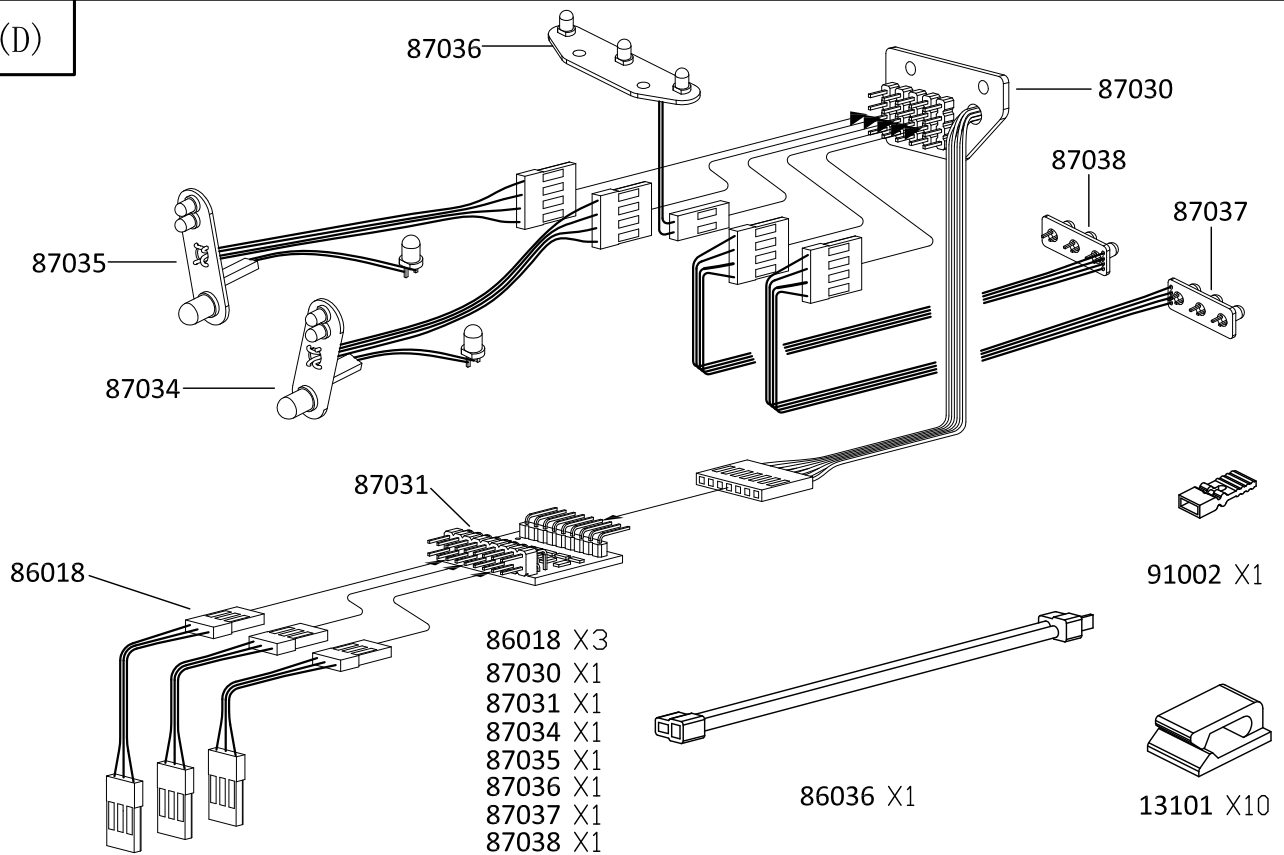


25206 X1

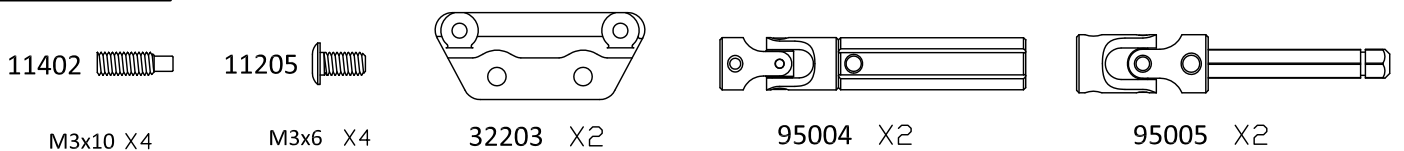
BAG (C)



BAG (D)





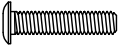


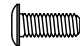



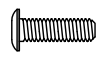



BAG (E)

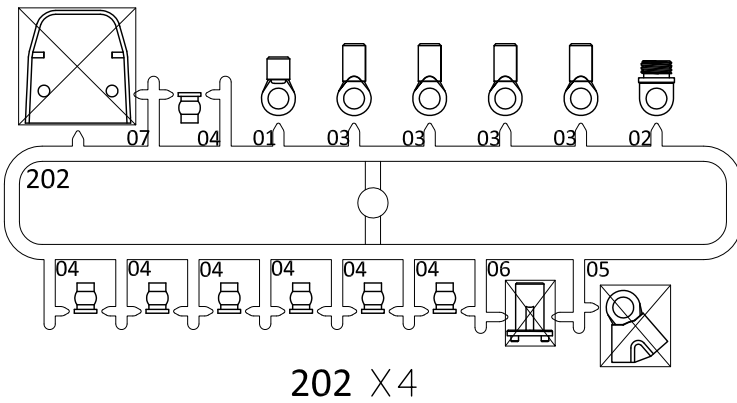




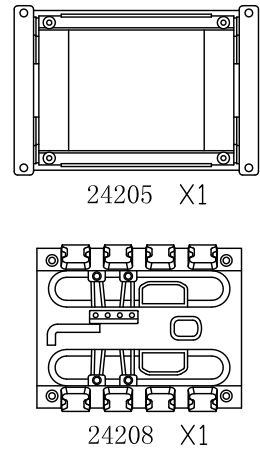
BAG (H)

- |   |  |  |  |
|---|--|--|--|
|   | 11901  ST2x6 X8   |  |  |
| 12203  M3 X33                                | 11202  M2x6 X8    | 11219  M3x4 X1    | 11209  M3x14 X6 |
| 12204  M4 X4                                 | 11204  M2x10 X6   | 11206  M3x8 X18  | 11211  M3x18 X6 |
| 14102  $\phi 3 \times \phi 7 \times 0.5$ X19 | 11216  M2.5x6 X58 | 11207  M3x10 X26 | 11214  M3x25 X2 |

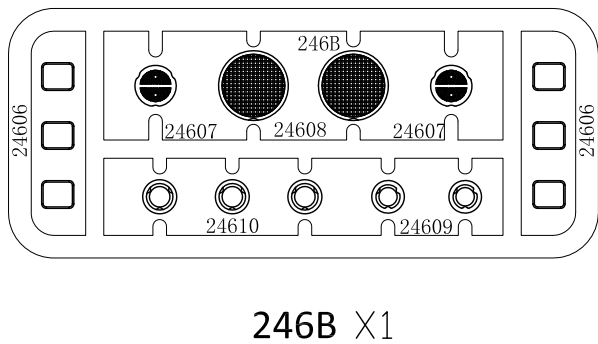
No. 202



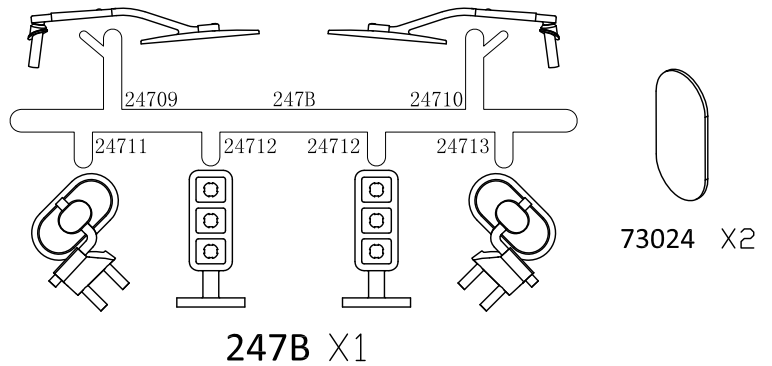
No. 242



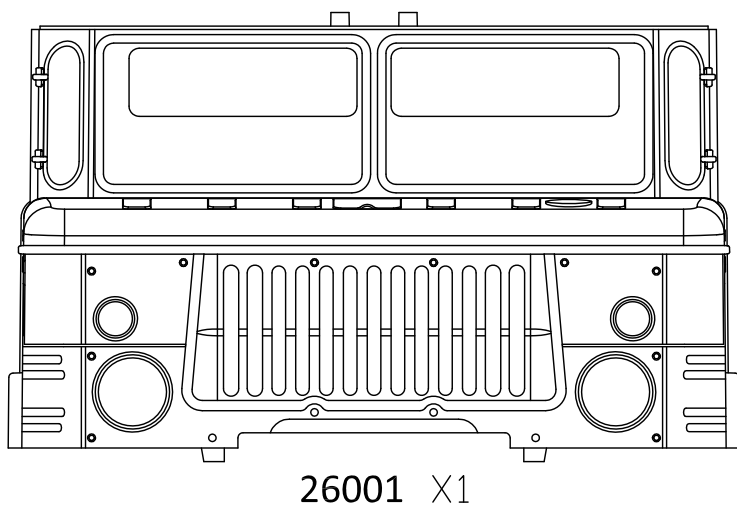
No. 246B



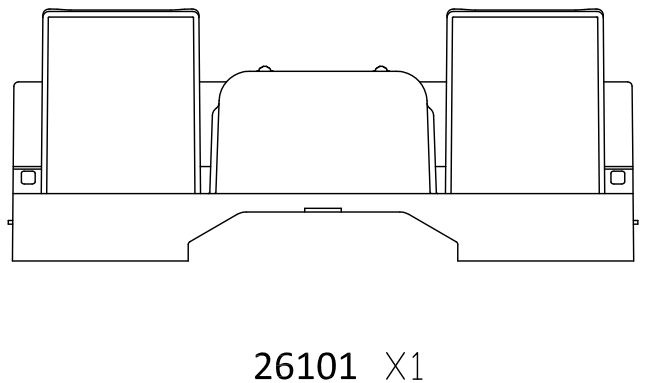
No. 247B



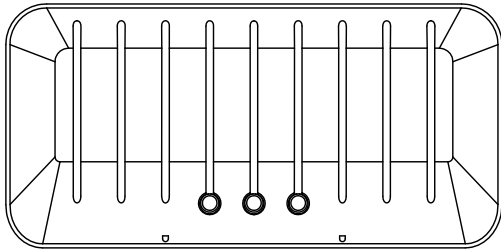
No. 260



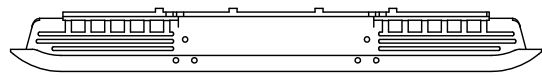
No. 261



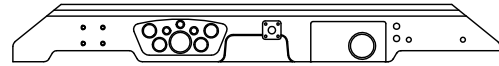
No. 262



26201 X1

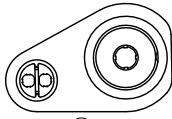


26202 X1

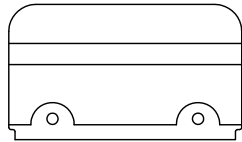


26203 X1

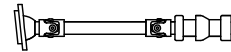
No. 263



26303



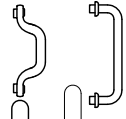
26301



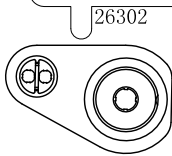
26307



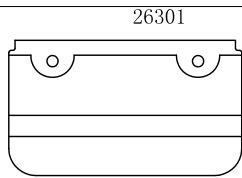
26308



26305

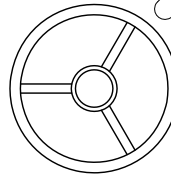


26302



26301

263



26306



26304



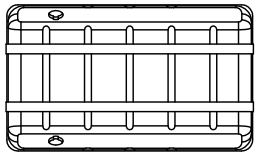
26309

263 X1

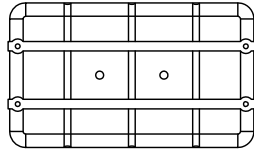
No. 266



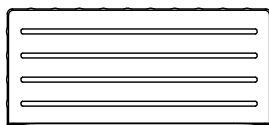
26604 X2



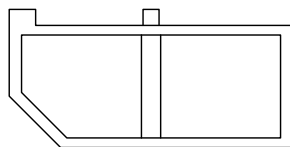
26602 X2



26603 X2

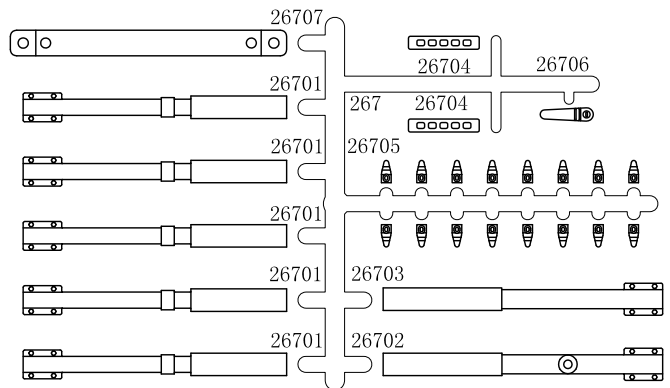


26601 X2



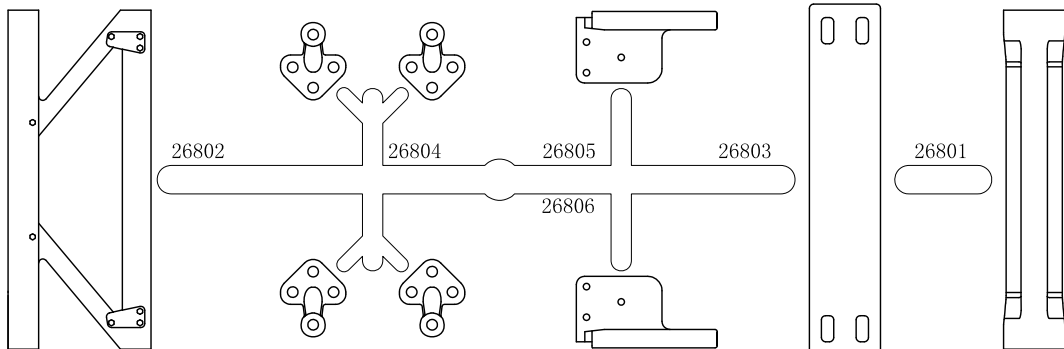
26605 X1

No. 267



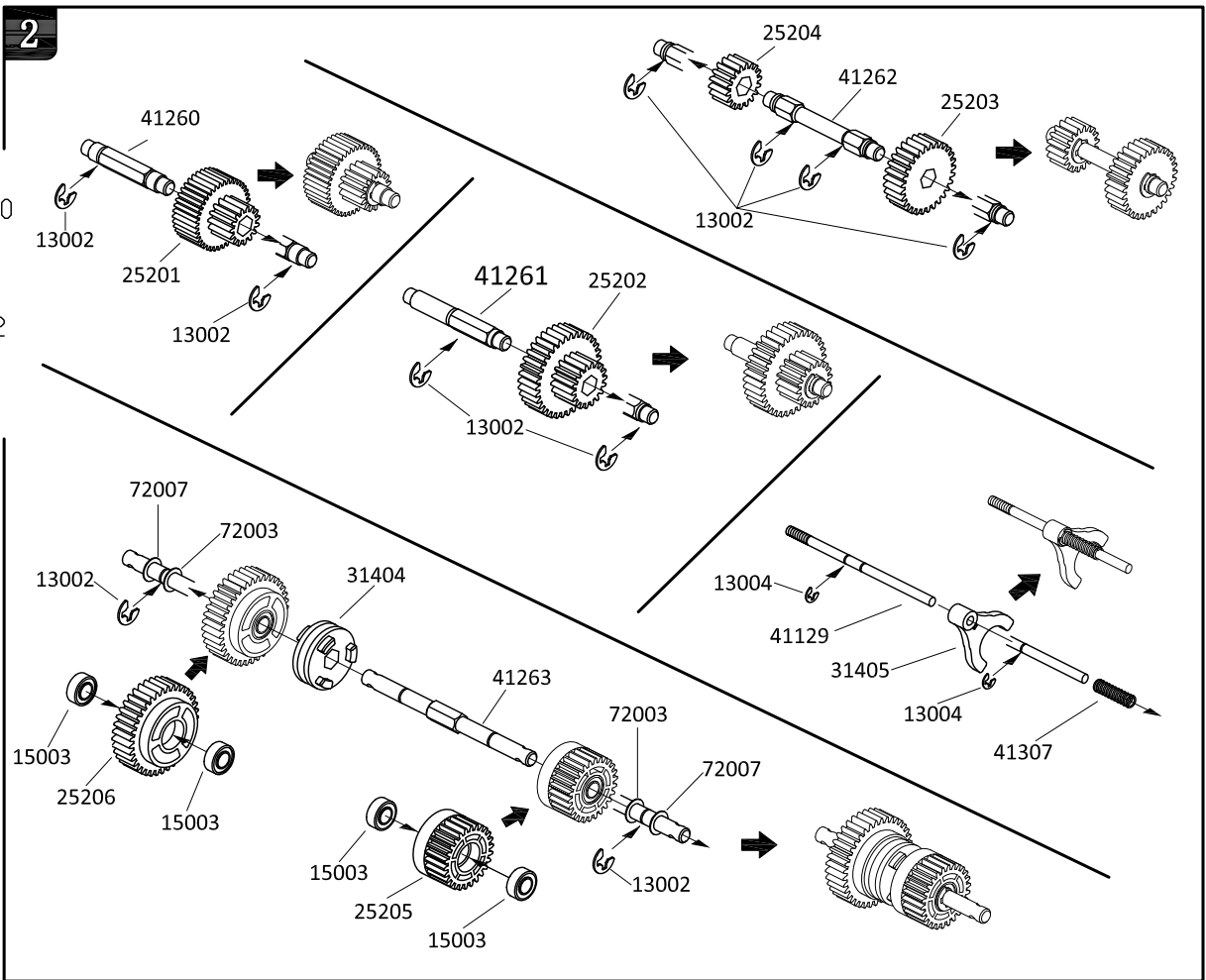
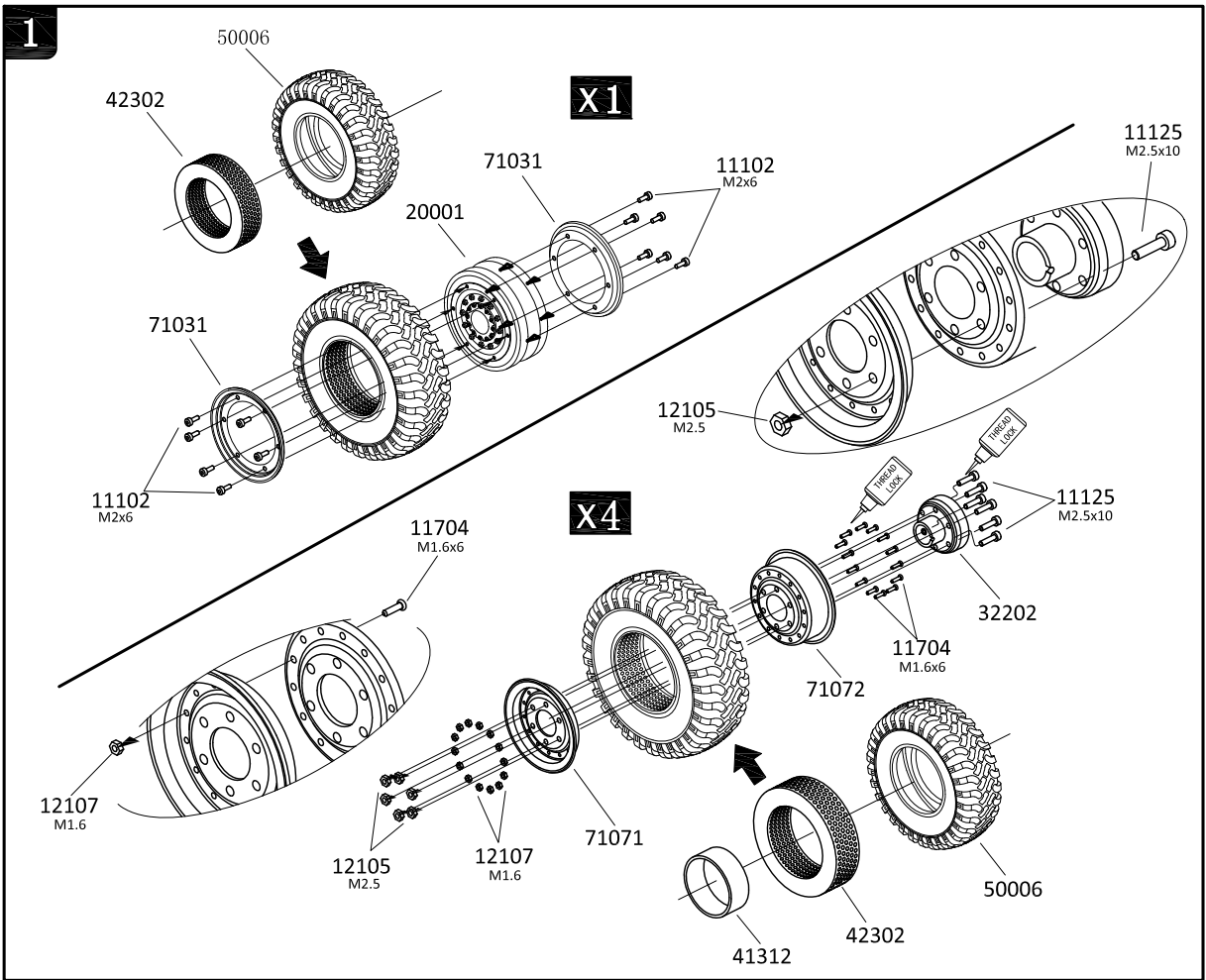
267 X2

No. 268

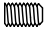
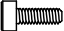







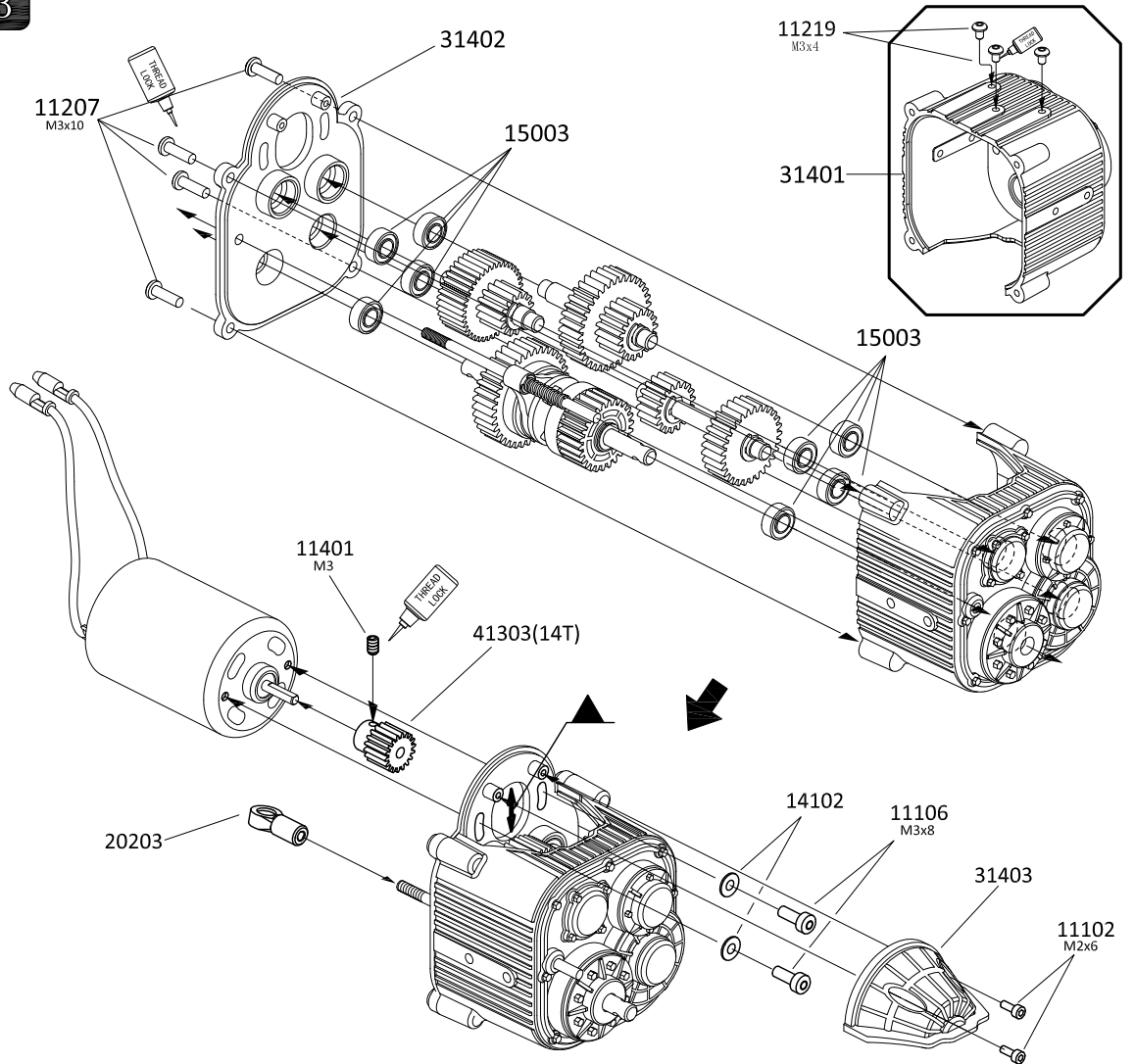
268 X1





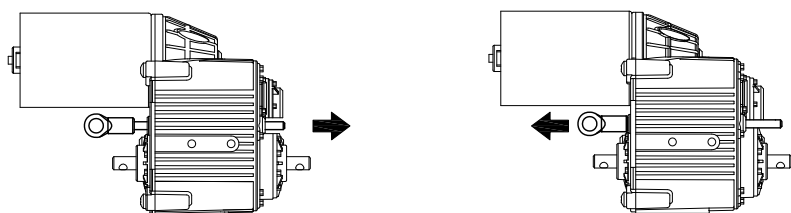
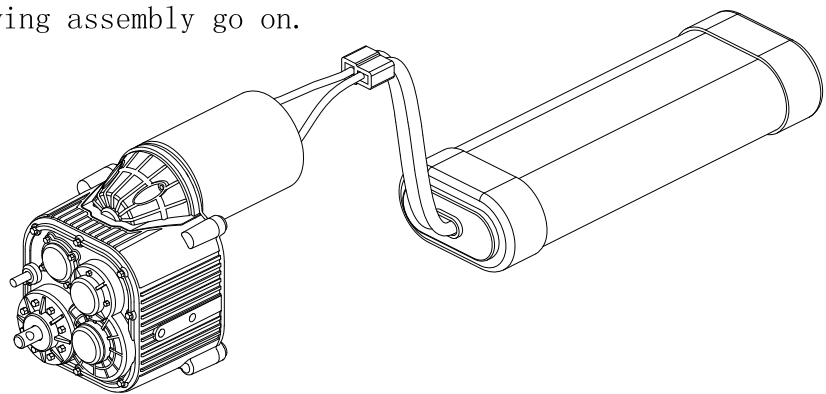
3

- 11401  M3x4 X1
- 11102  M2x6 X2
- 11219  M3x4 X3
- 11106  M3x8 X2
- 11207  M3x10 X4
- 14102   $\phi 3 \times \phi 7 \times 0.5 \times 2$
- 15003   $\phi 5 \times \phi 10 \times 4 \times 8$



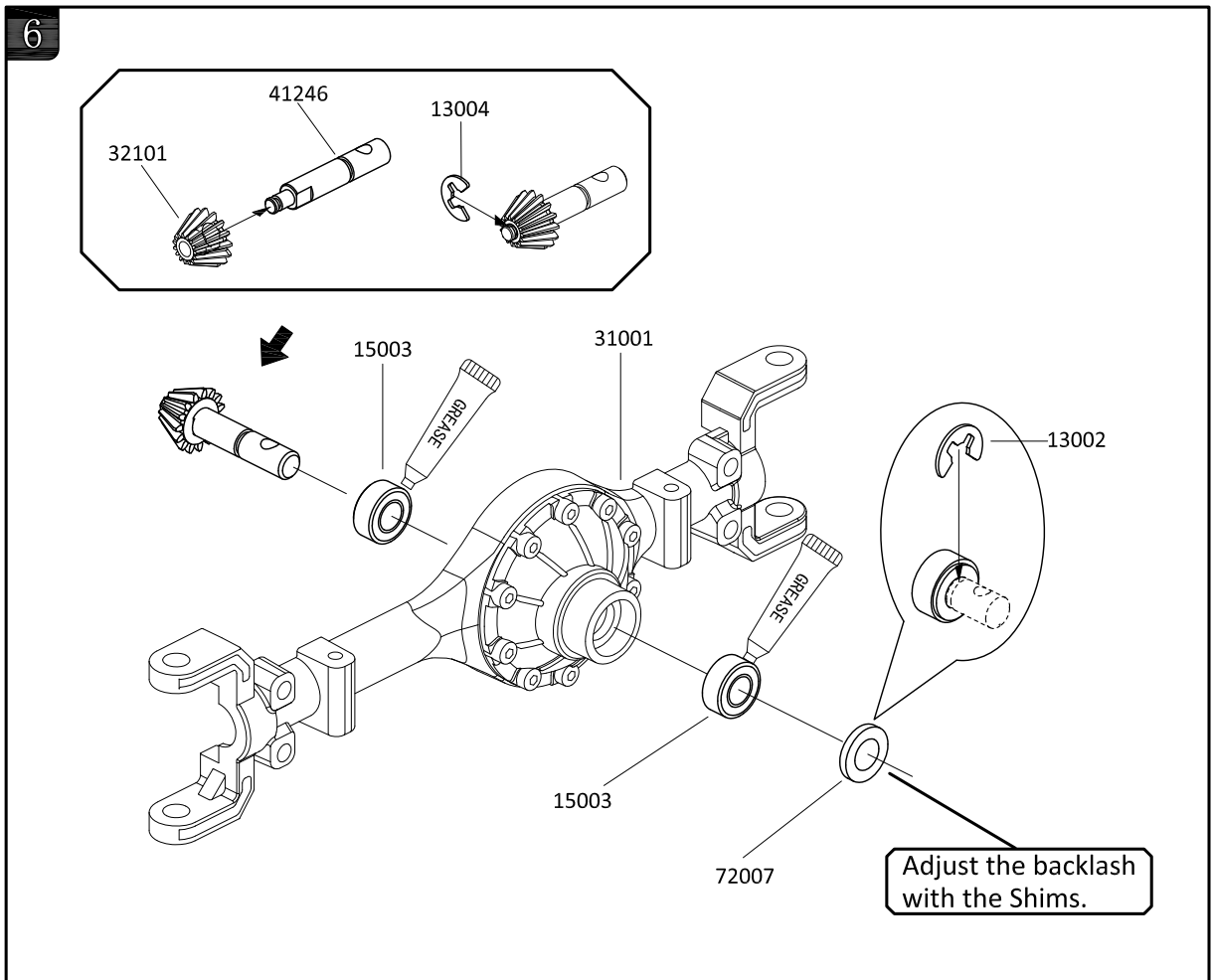
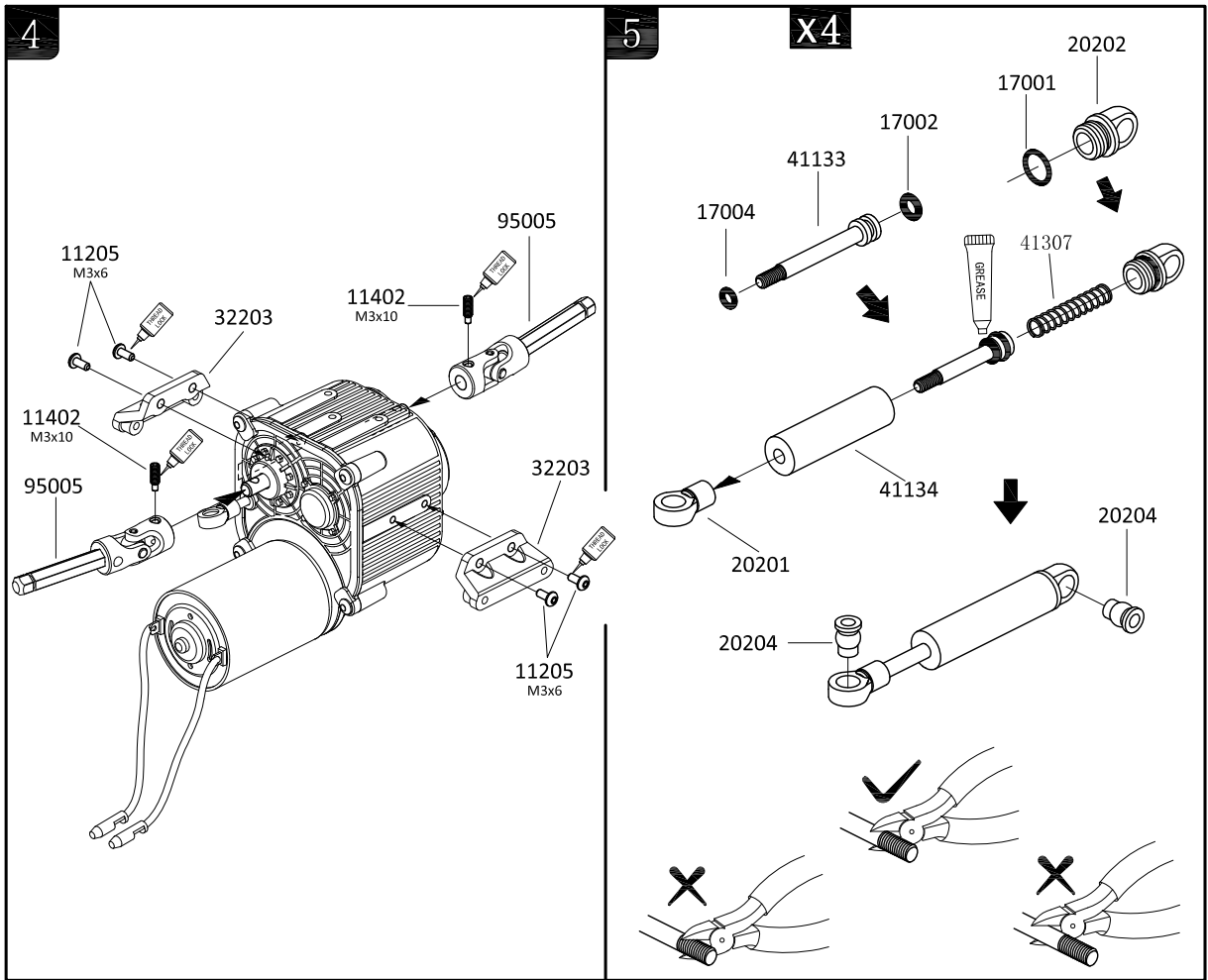
NOTE:

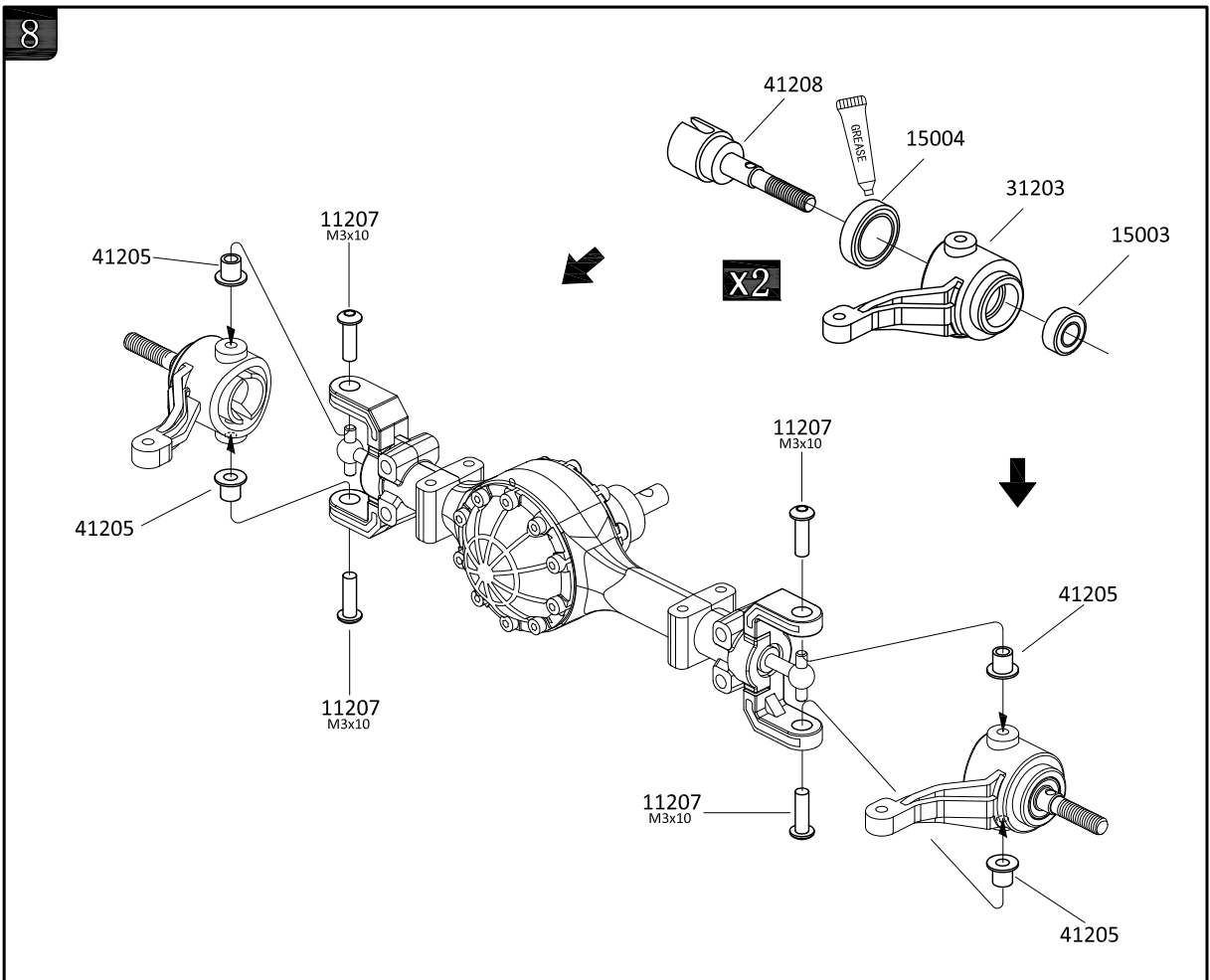
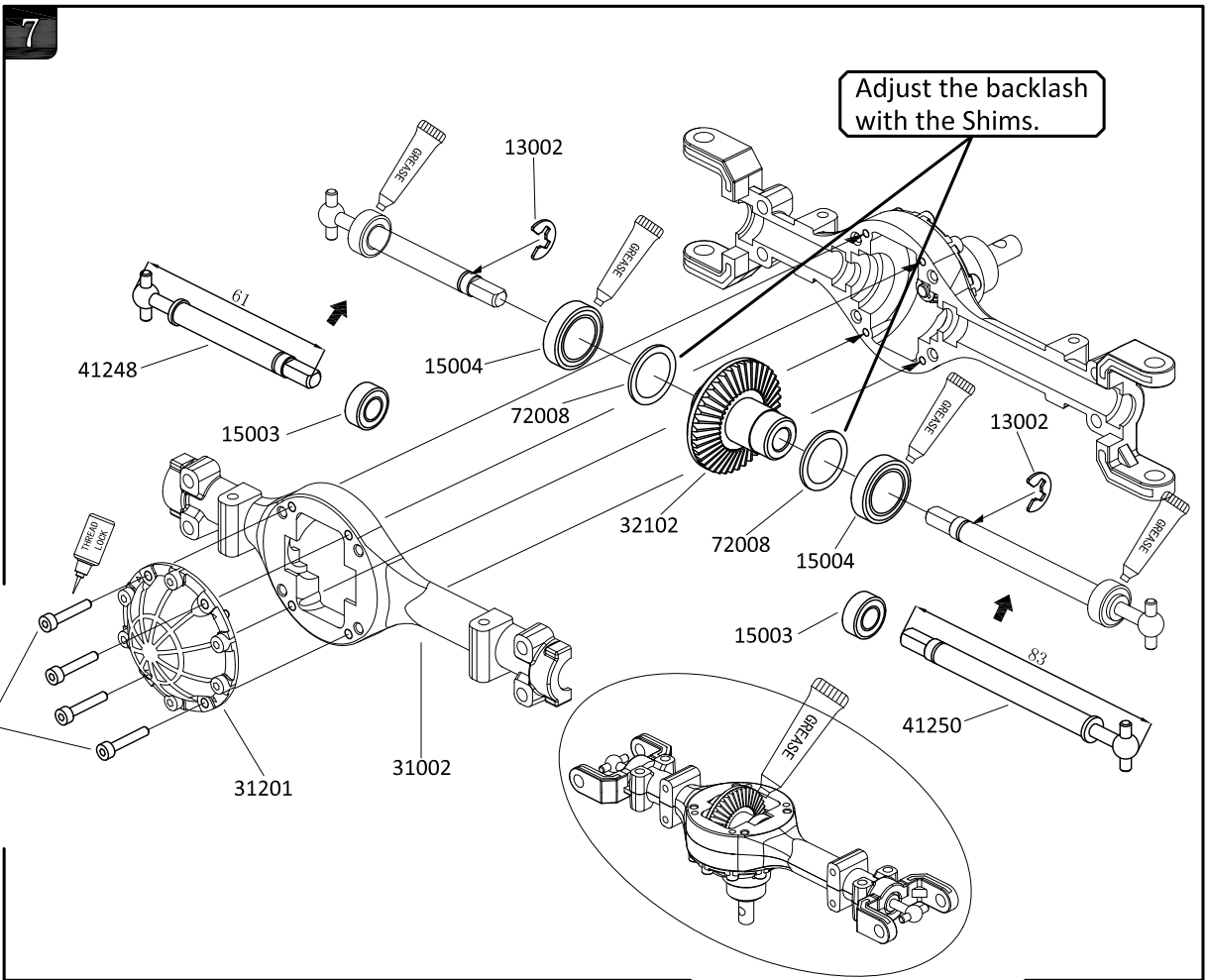
Get power test after assembly finish and adjust gear meshing clearance for make sure gear box running smooth without noise, then process to following assembly go on.






1st Gear (Low speed)

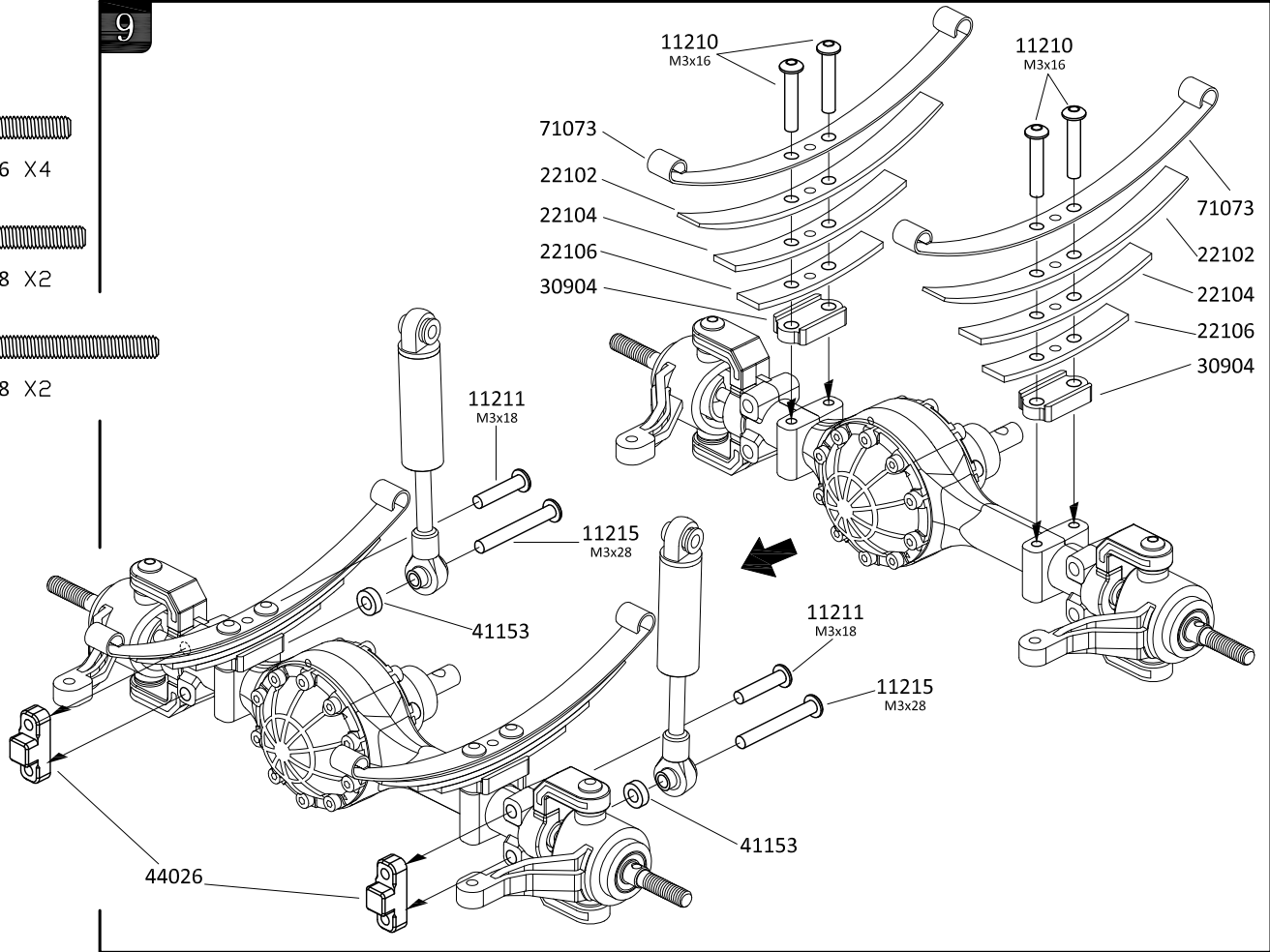
2nd Gear (High speed)








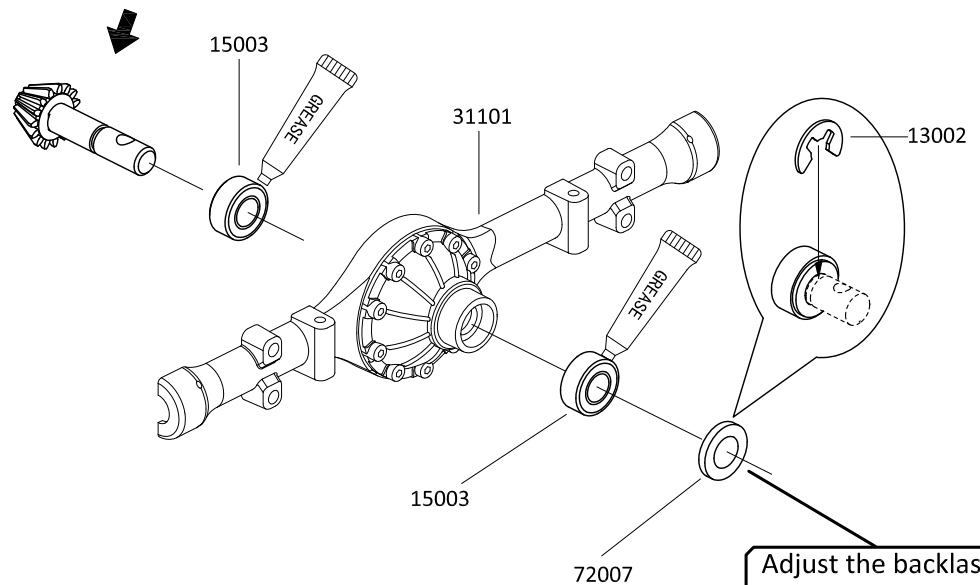
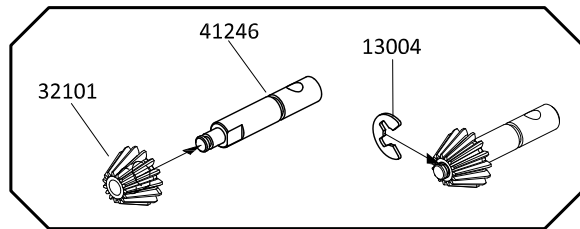
9

- 11210  M3x16 X4
- 11211  M3x18 X2
- 11215  M3x28 X2



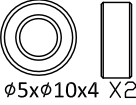



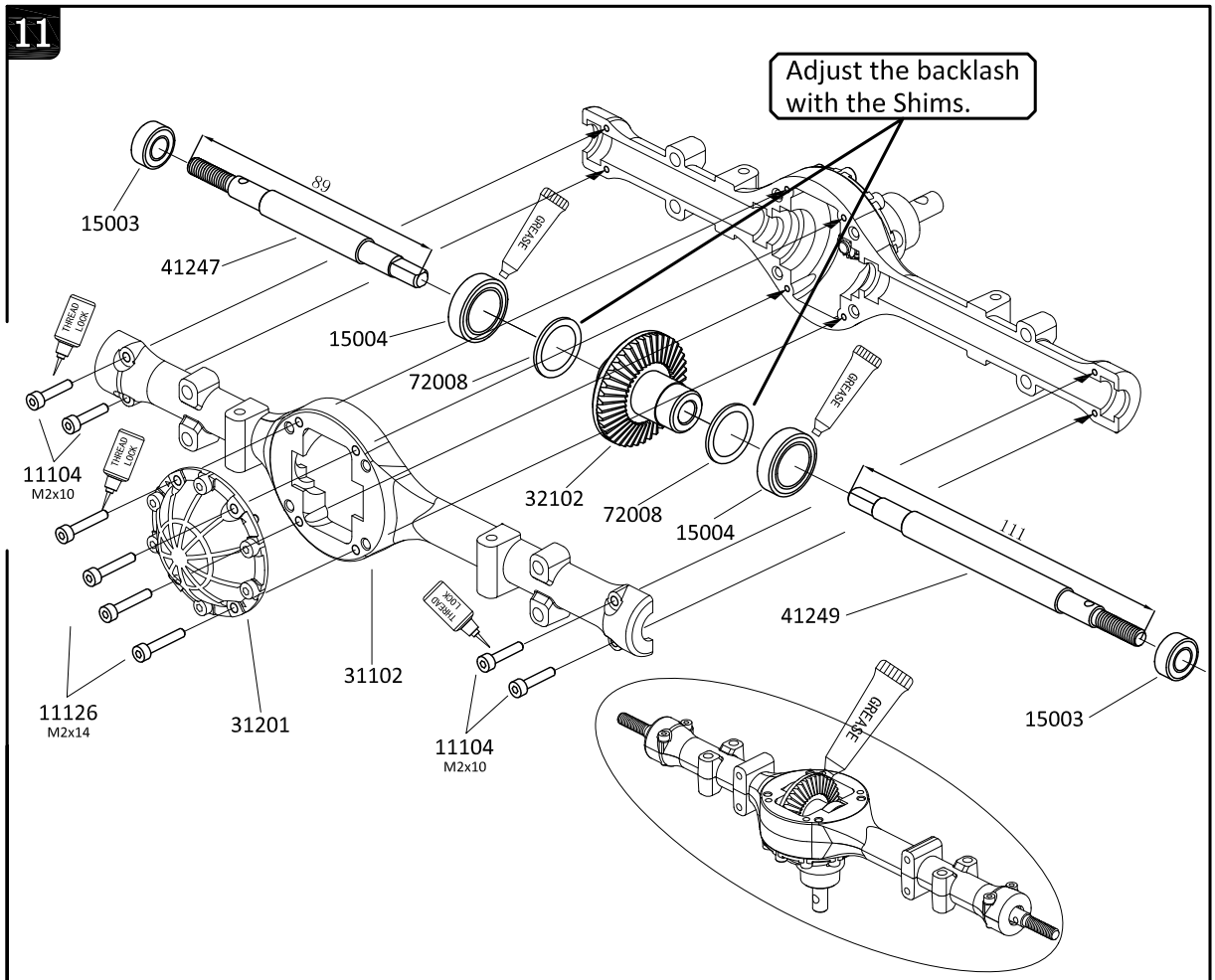
10

- 13004   $\phi 2 \times \phi 5.5 \times 0.4$  X1
- 13002   $\phi 3.8 \times \phi 9.2 \times 0.6$  X1
- 15003   $\phi 5 \times \phi 10 \times 4$  X2







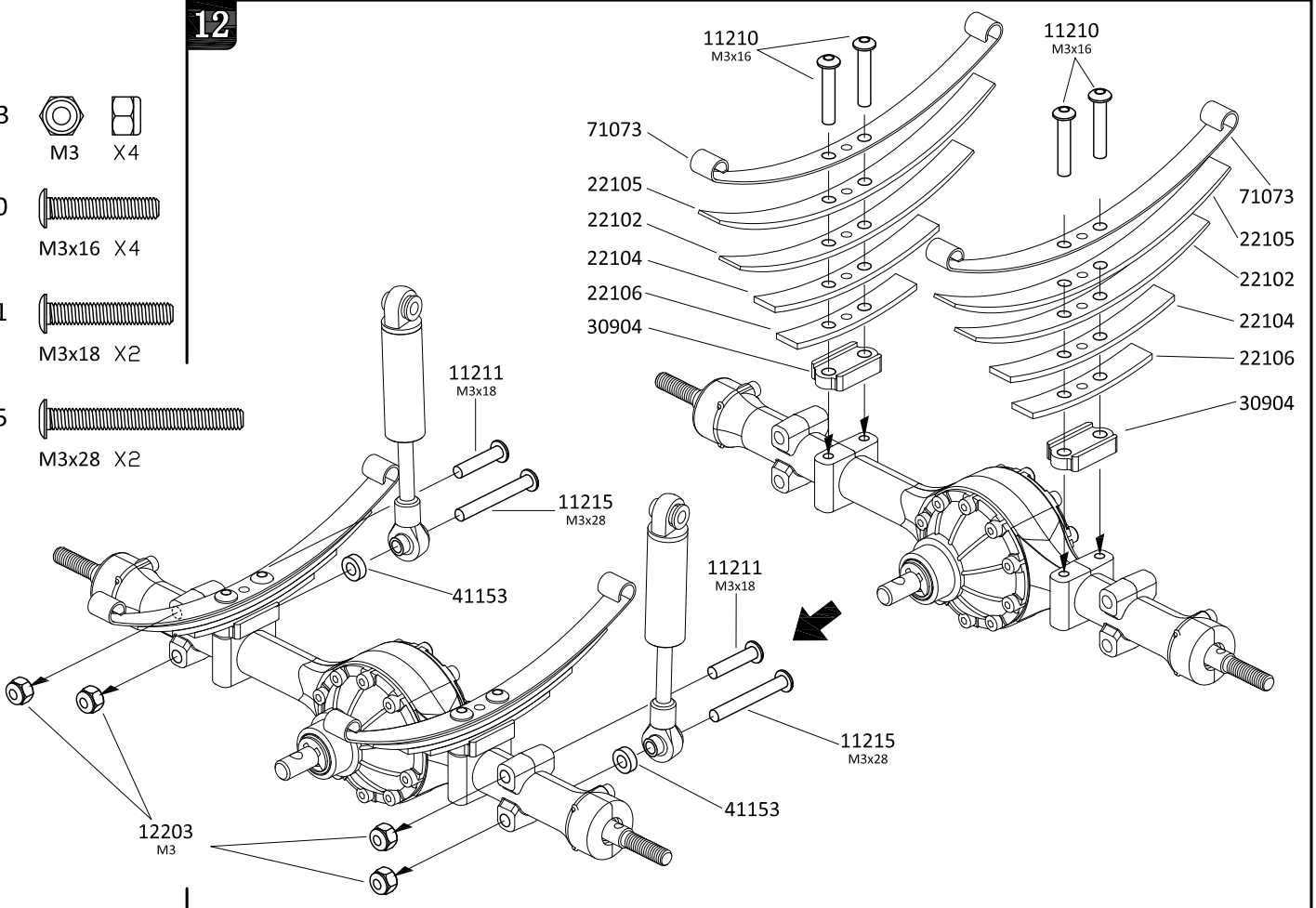
11

- 11104  M2x10 X4
- 11126  M2x14 X4
- 15003   $\phi 5 \times \phi 10 \times 4$  X2
- 15004   $\phi 10 \times \phi 15 \times 4$  X2

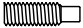


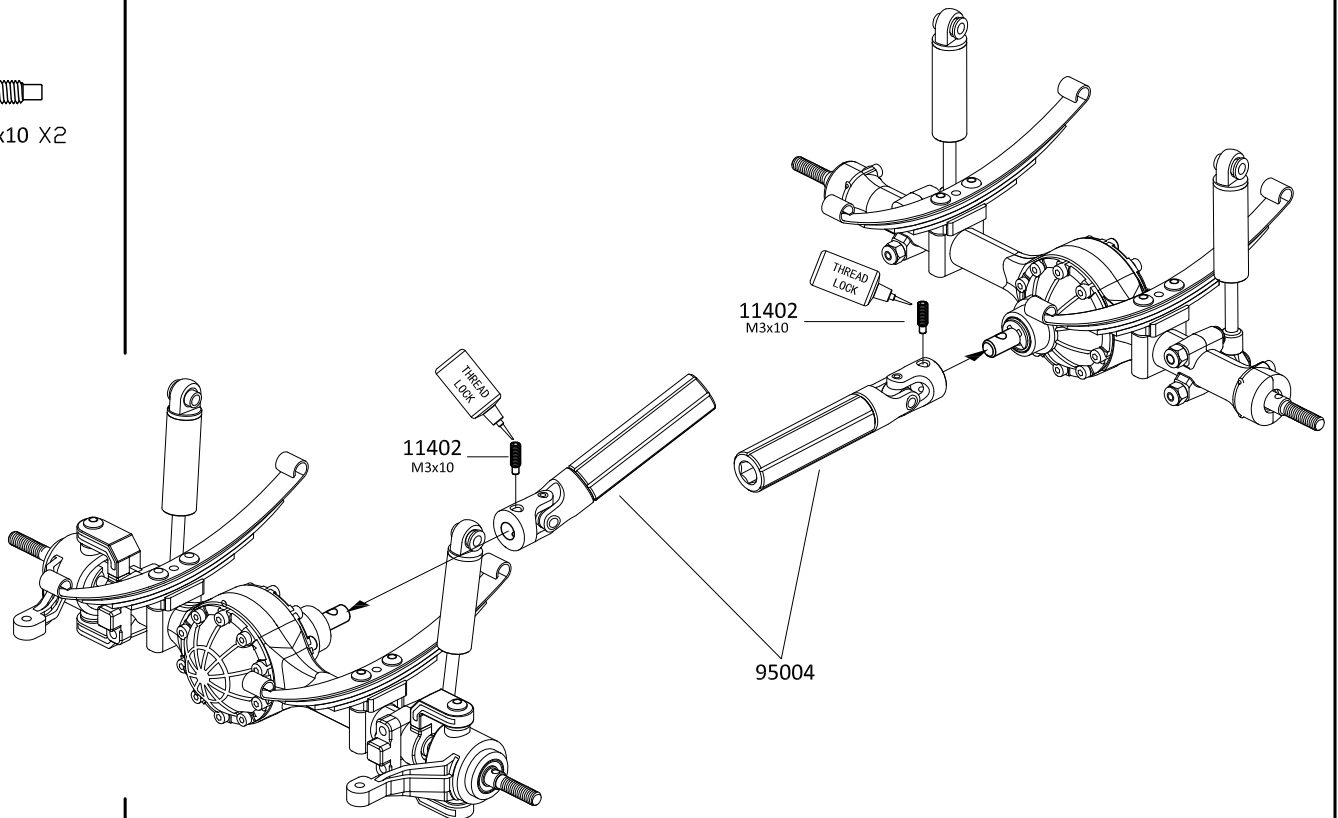
12

- 12203  M3 X4
- 11210  M3x16 X4
- 11211  M3x18 X2
- 11215  M3x28 X2






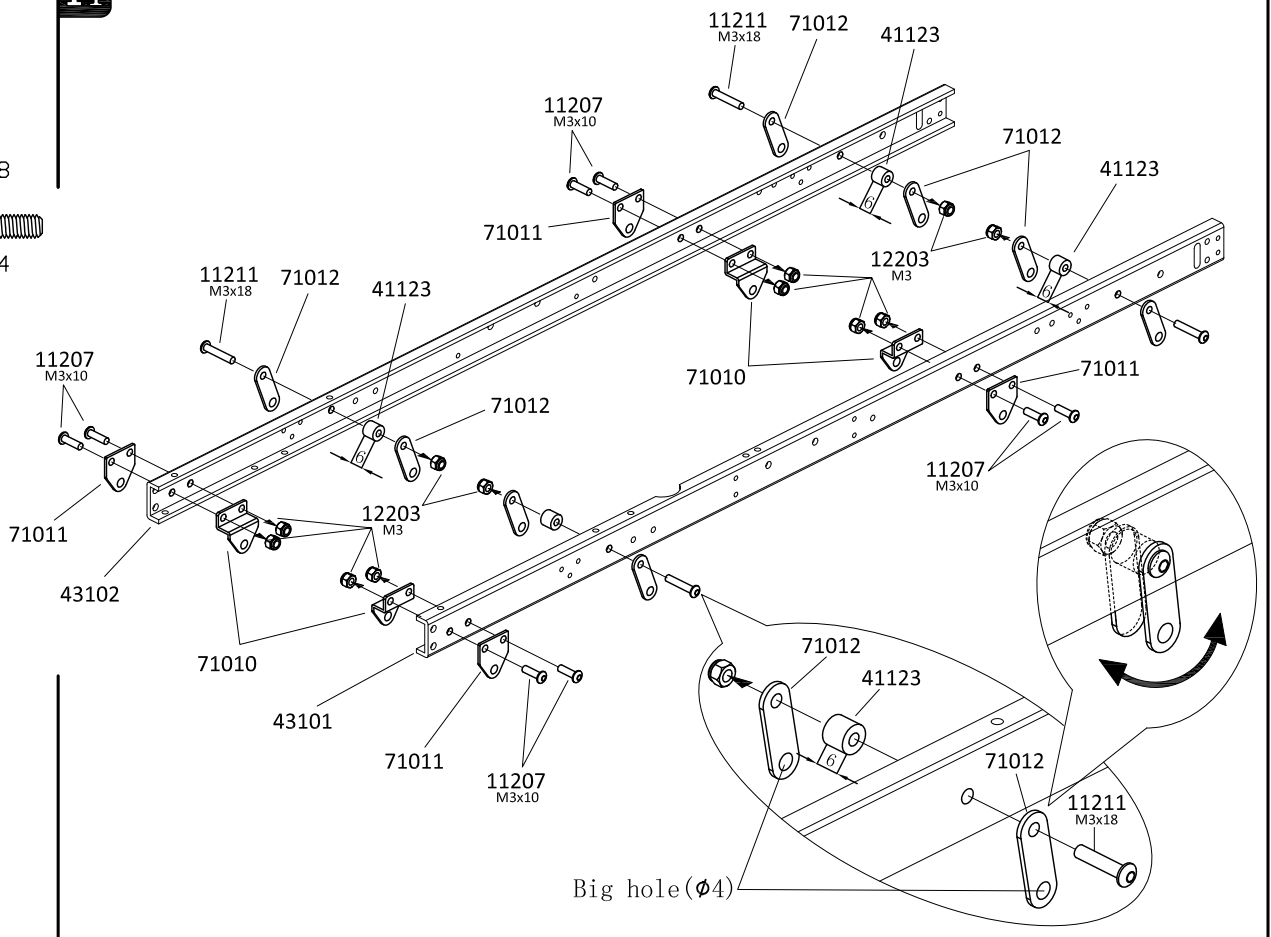
13

- 11402  M3x10 X2



14


- 12203  M3 X12
- 11207  M3x10 X8
- 11211  M3x18 X4



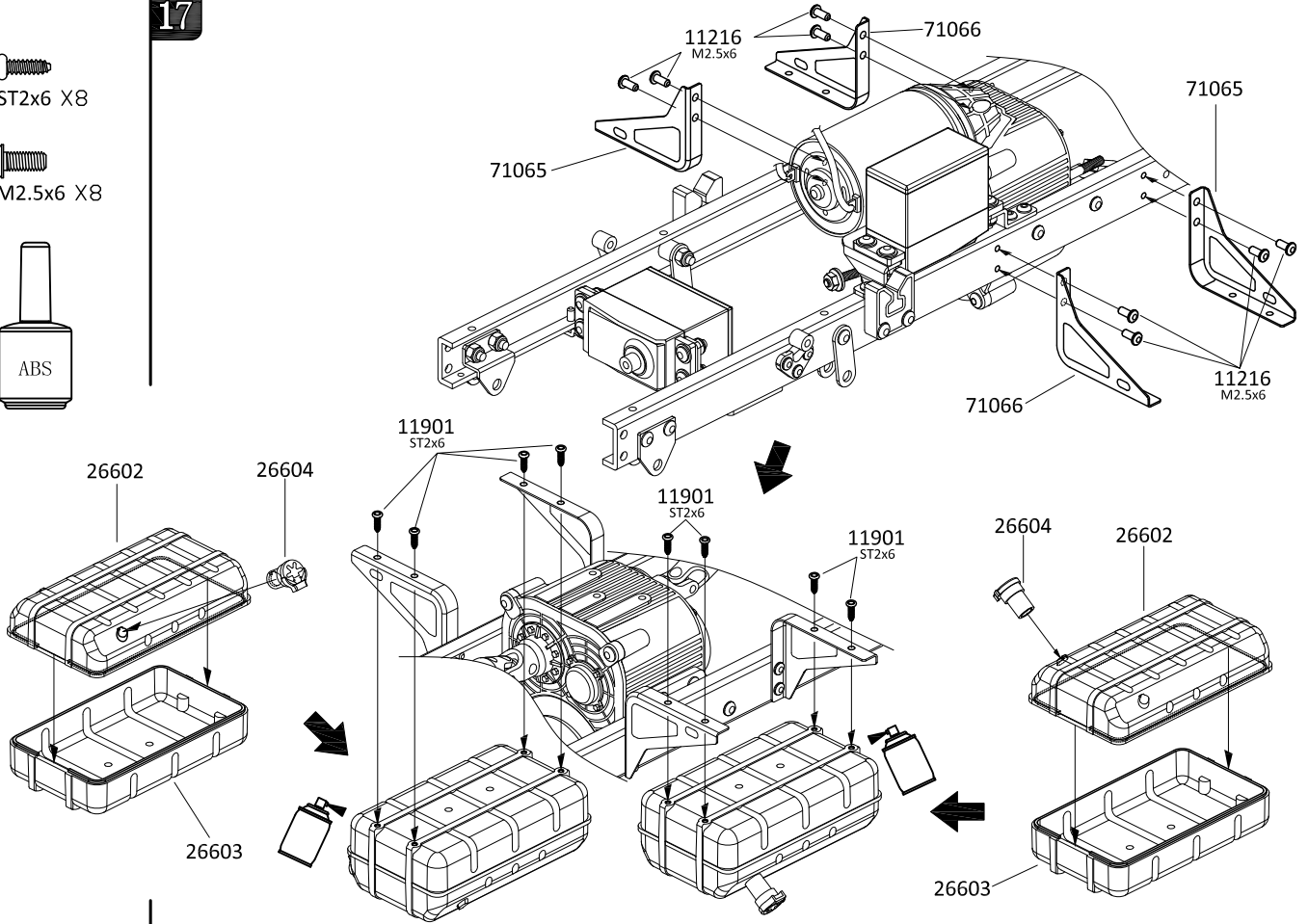






17


11901  ST2x6 X8


11216  M2.5x6 X8

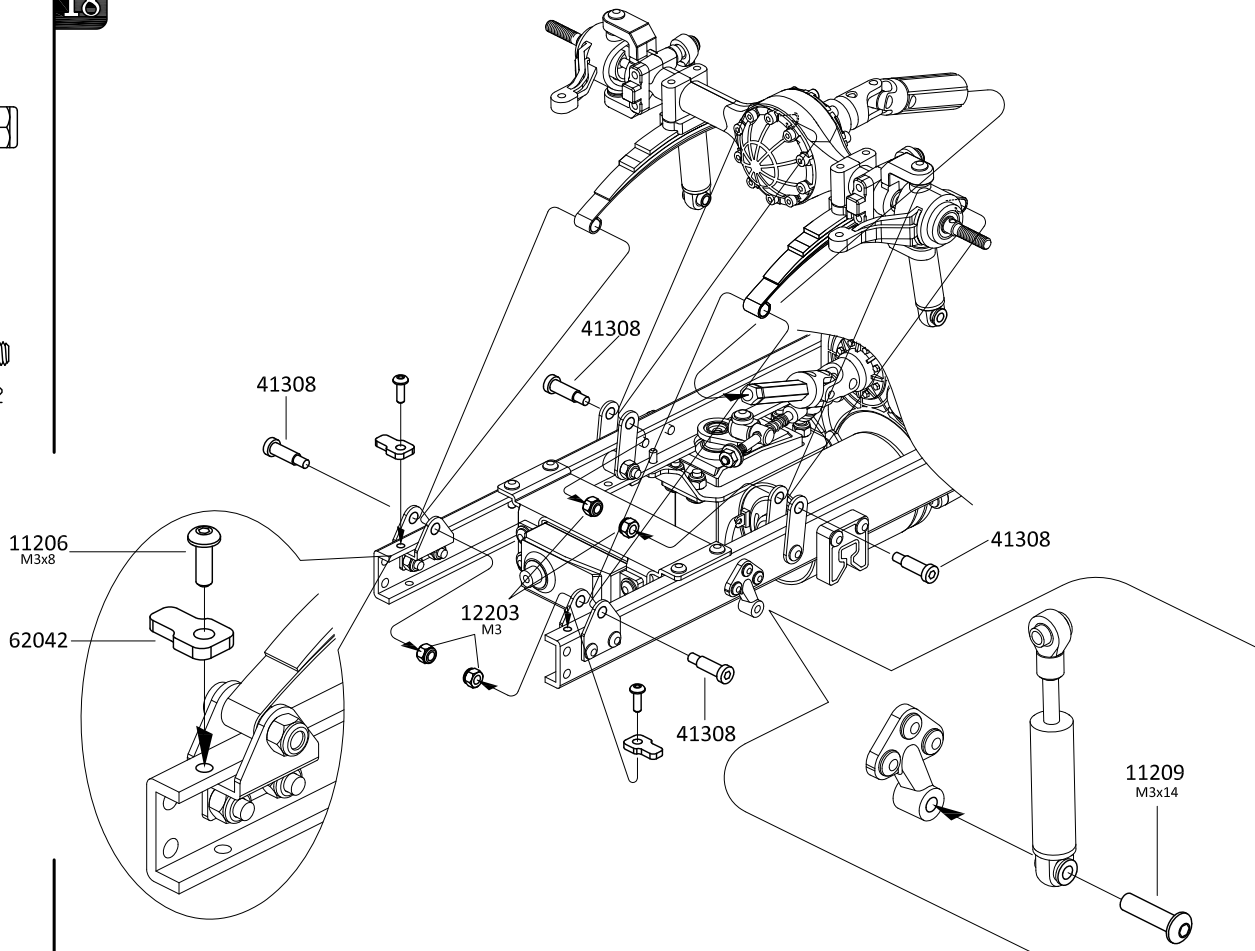


18





12203   M3 X4

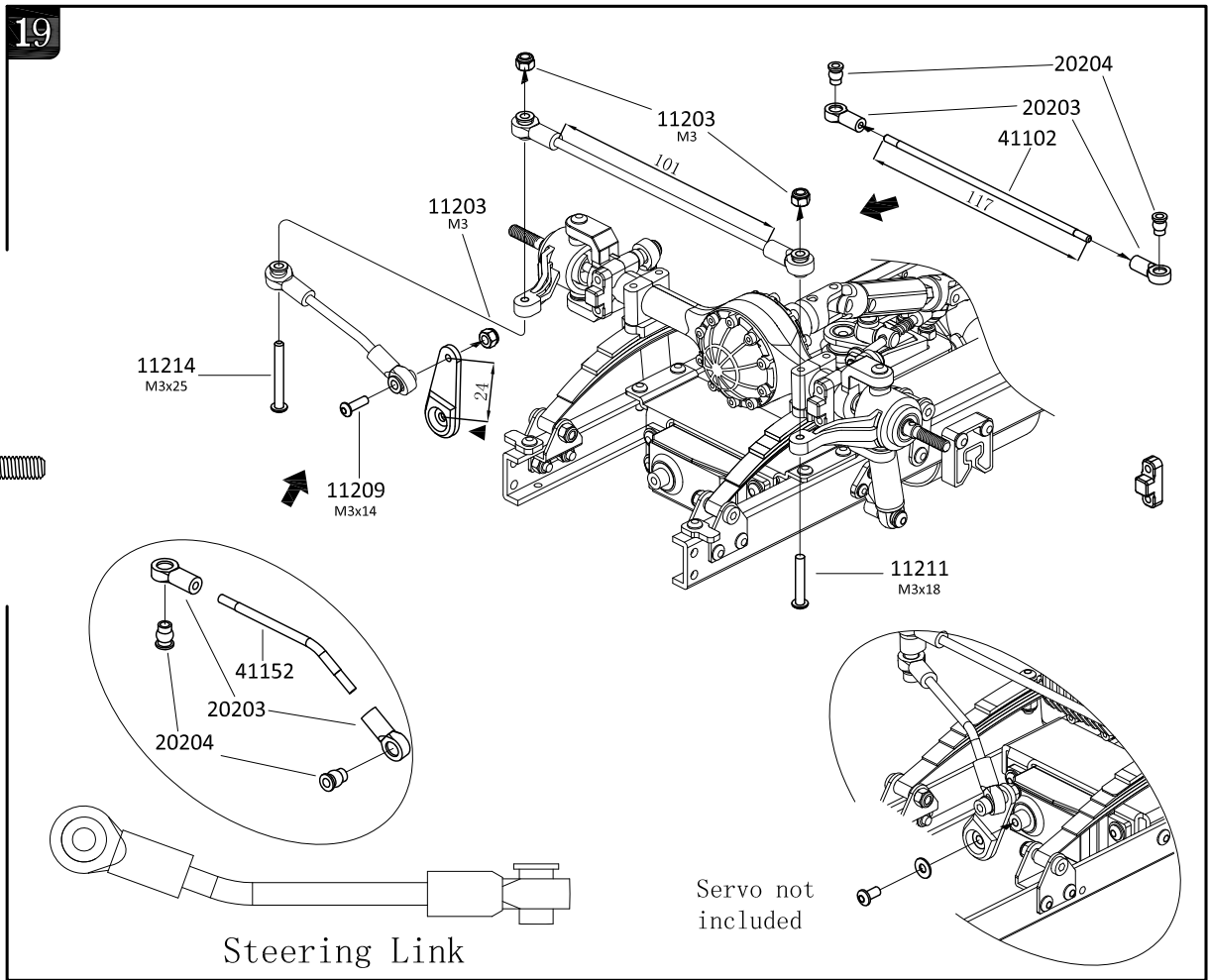
11206  M3x8 X2

11209  M3x14 X2





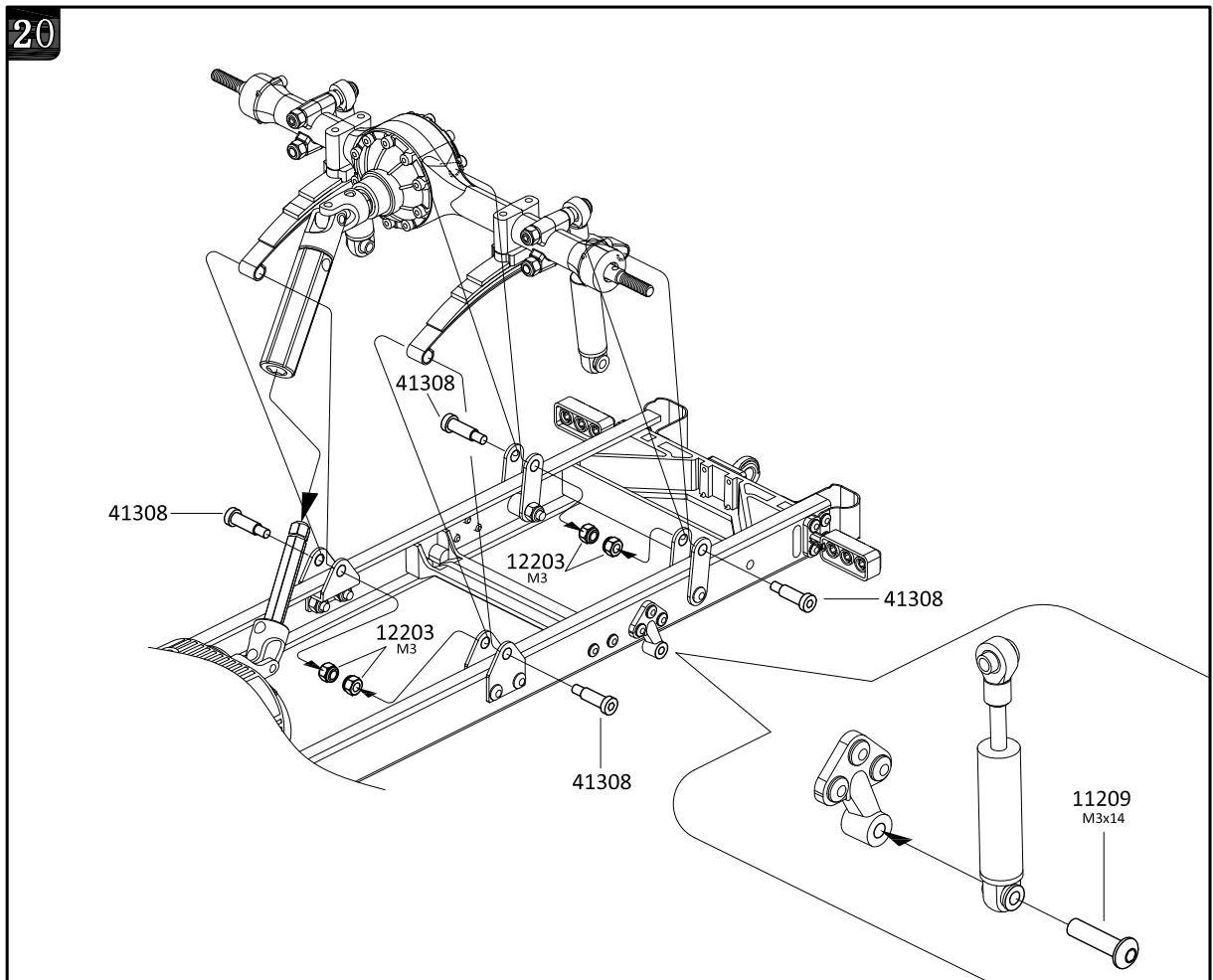
19

- 12203  M3 X3
- 11209  M3x14 X1
- 11211  M3x18 X1
- 11214  M3x25 X1




20

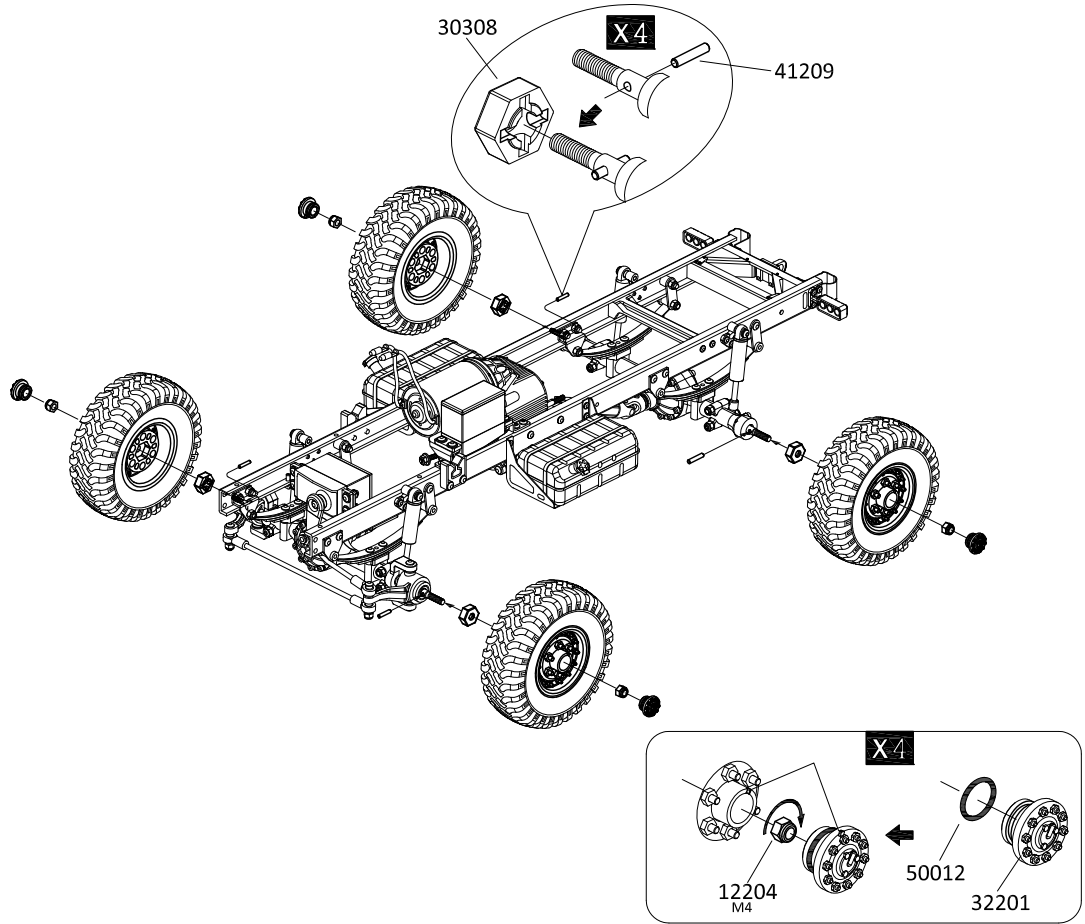
- 12203  M3 X4
- 11209  M3x14 X2




21

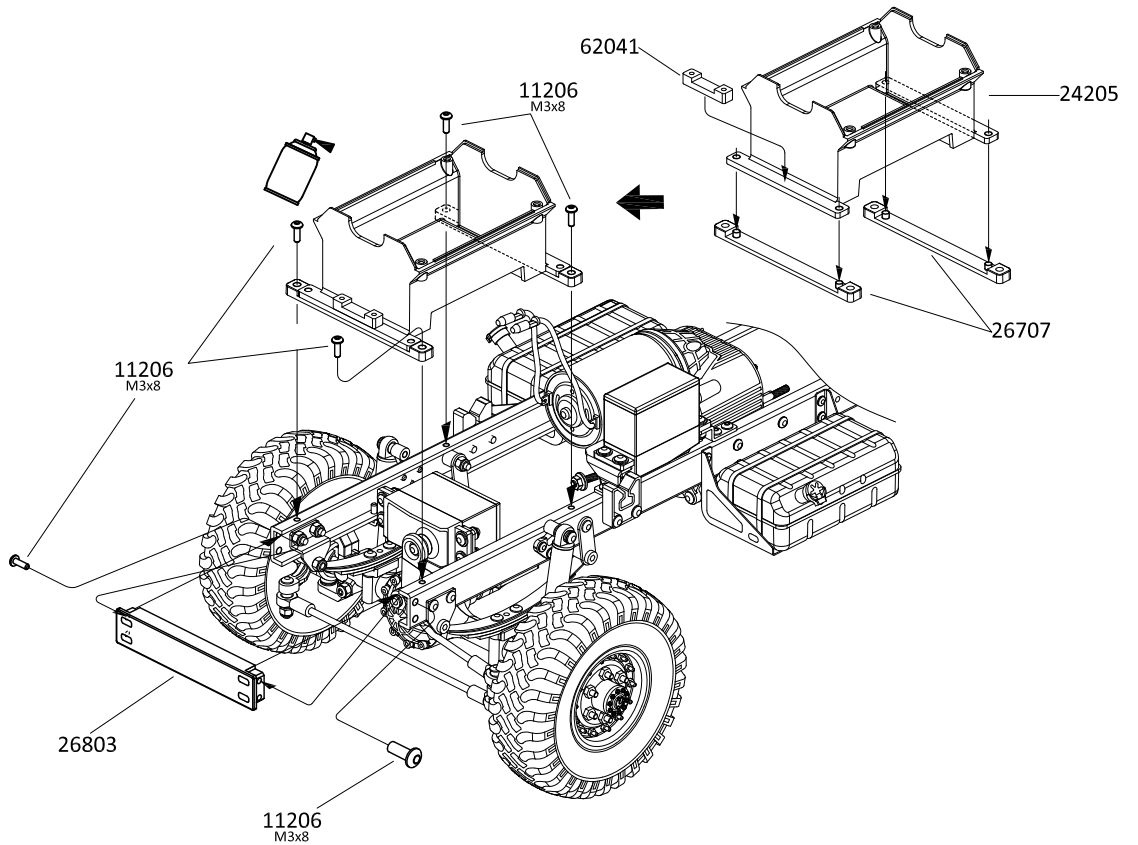
12204   
M4 X4

50012   
Ø9xØ6x1.5 X4

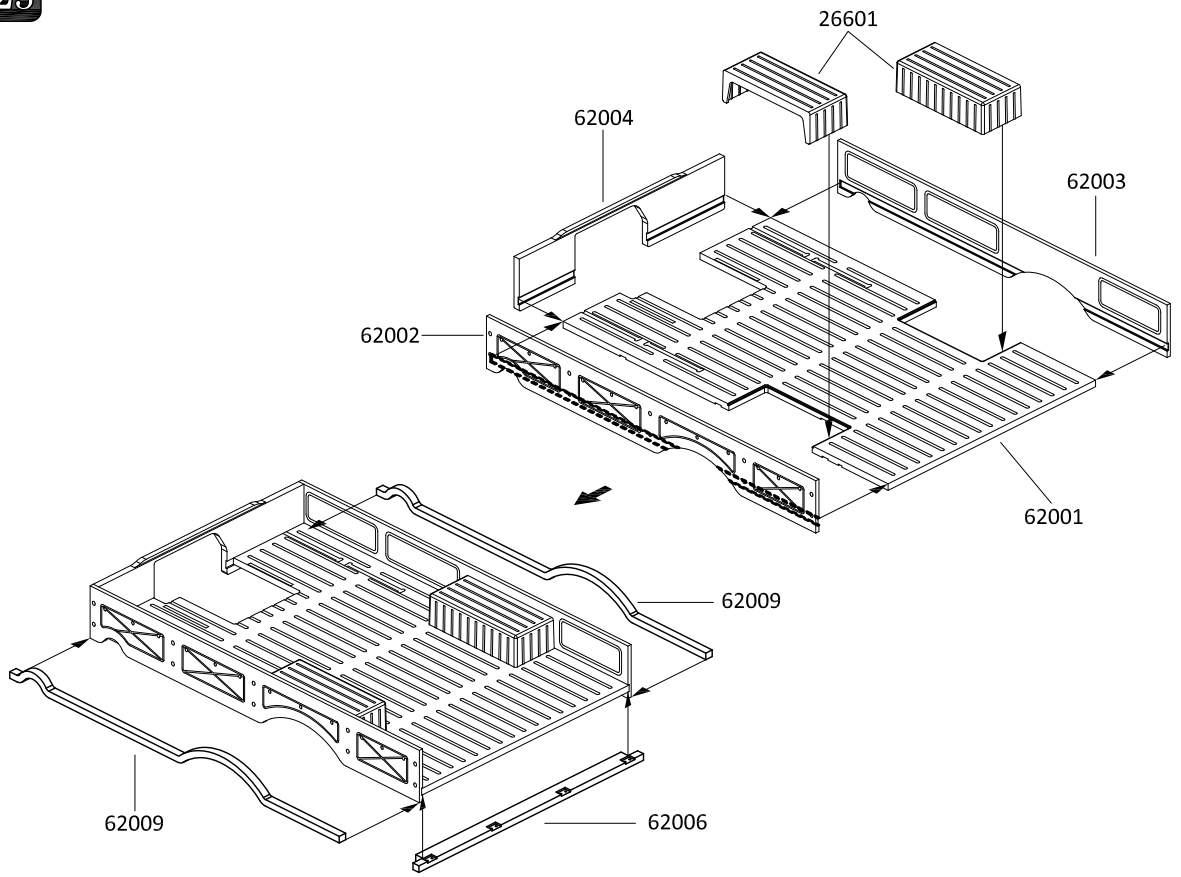


22

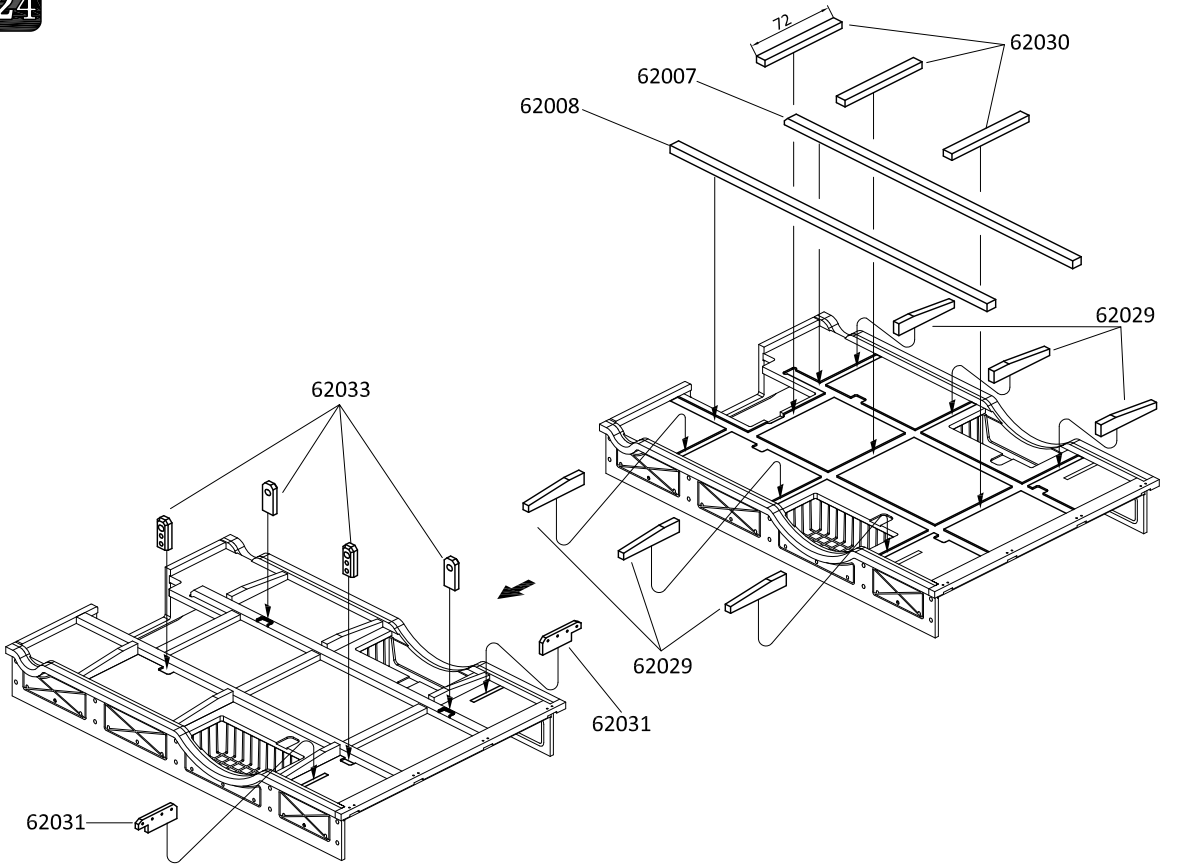
11206   
M3x8 X6



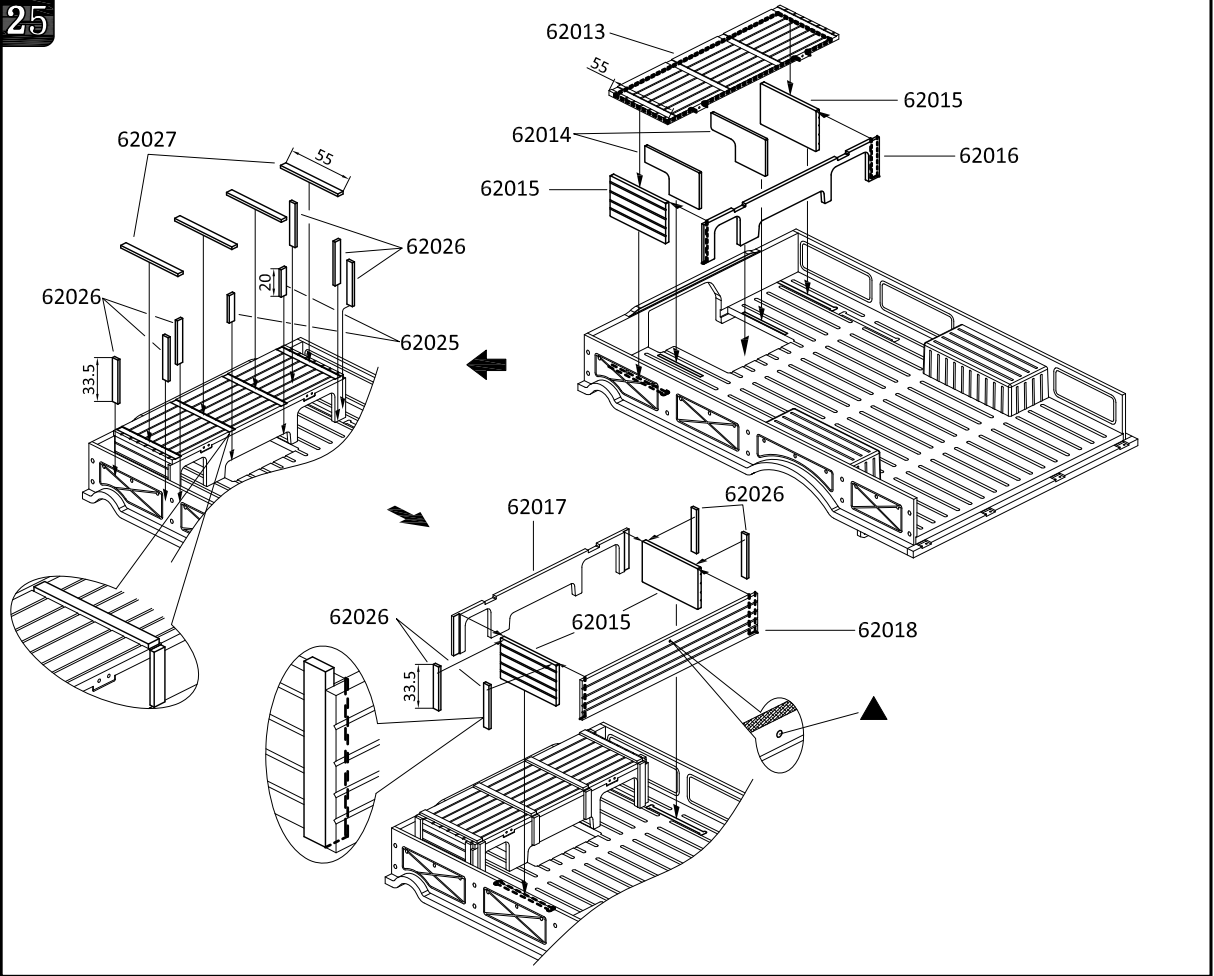
23



24



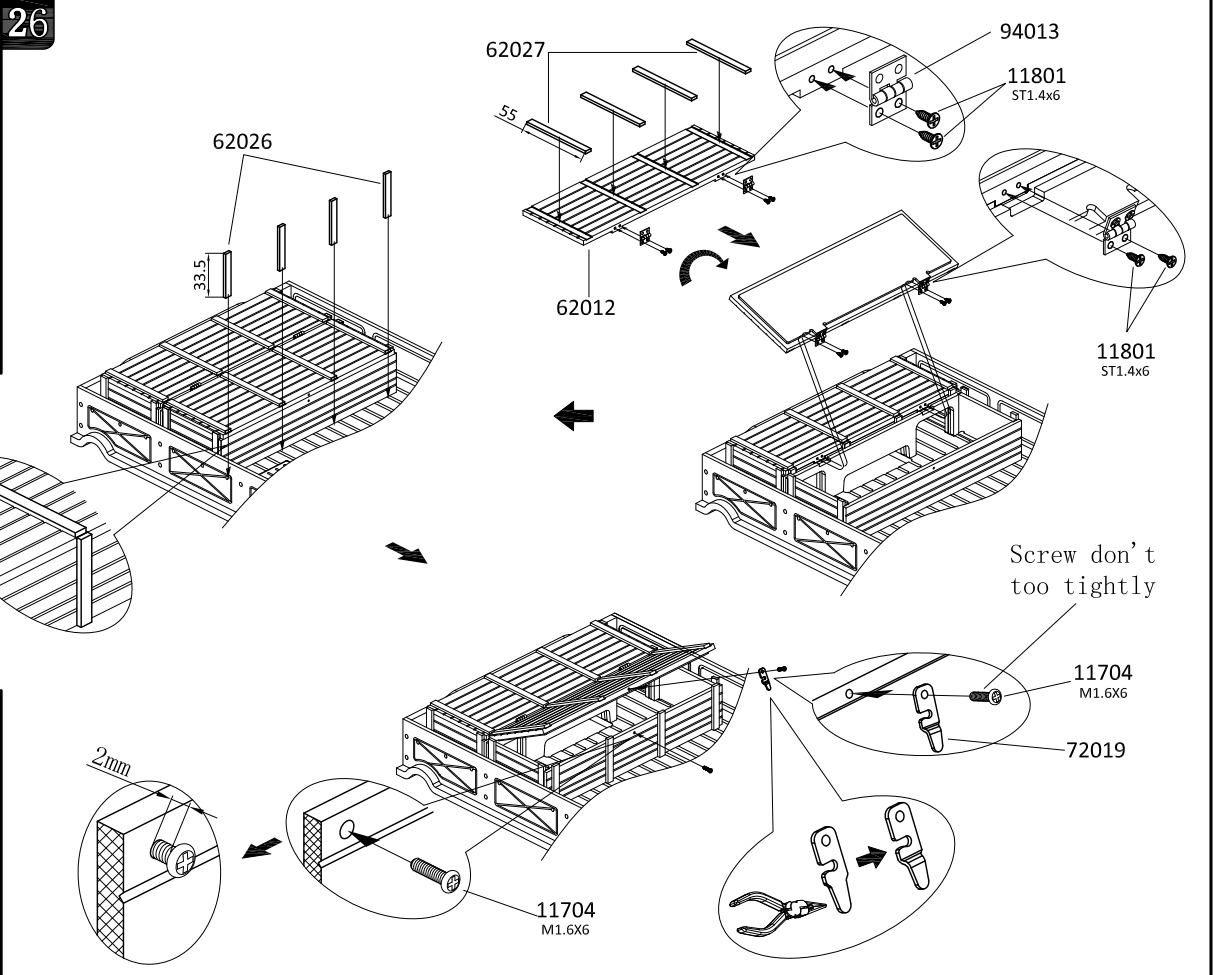
25



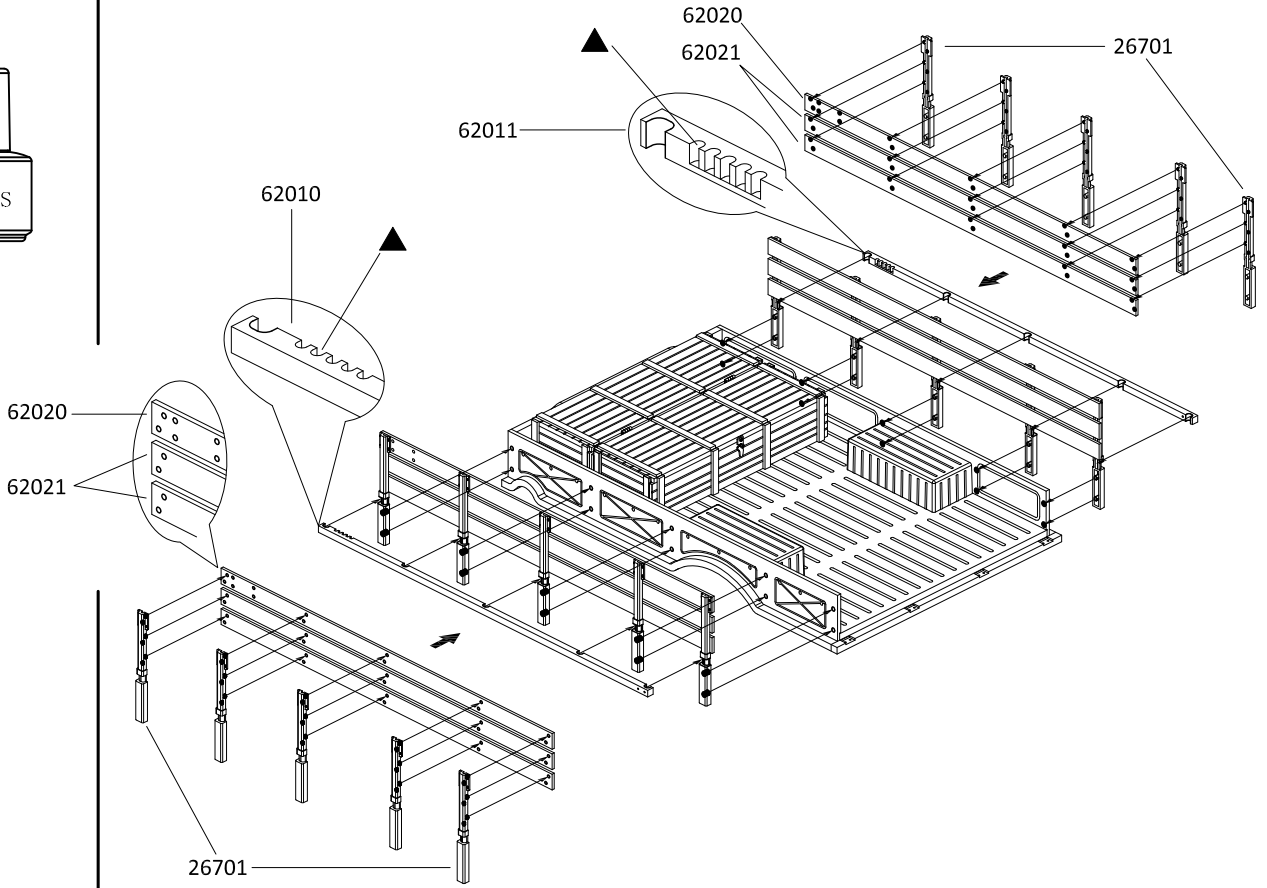
26

11704 M1.6x6 X2


11801 ST1.4x6 X8





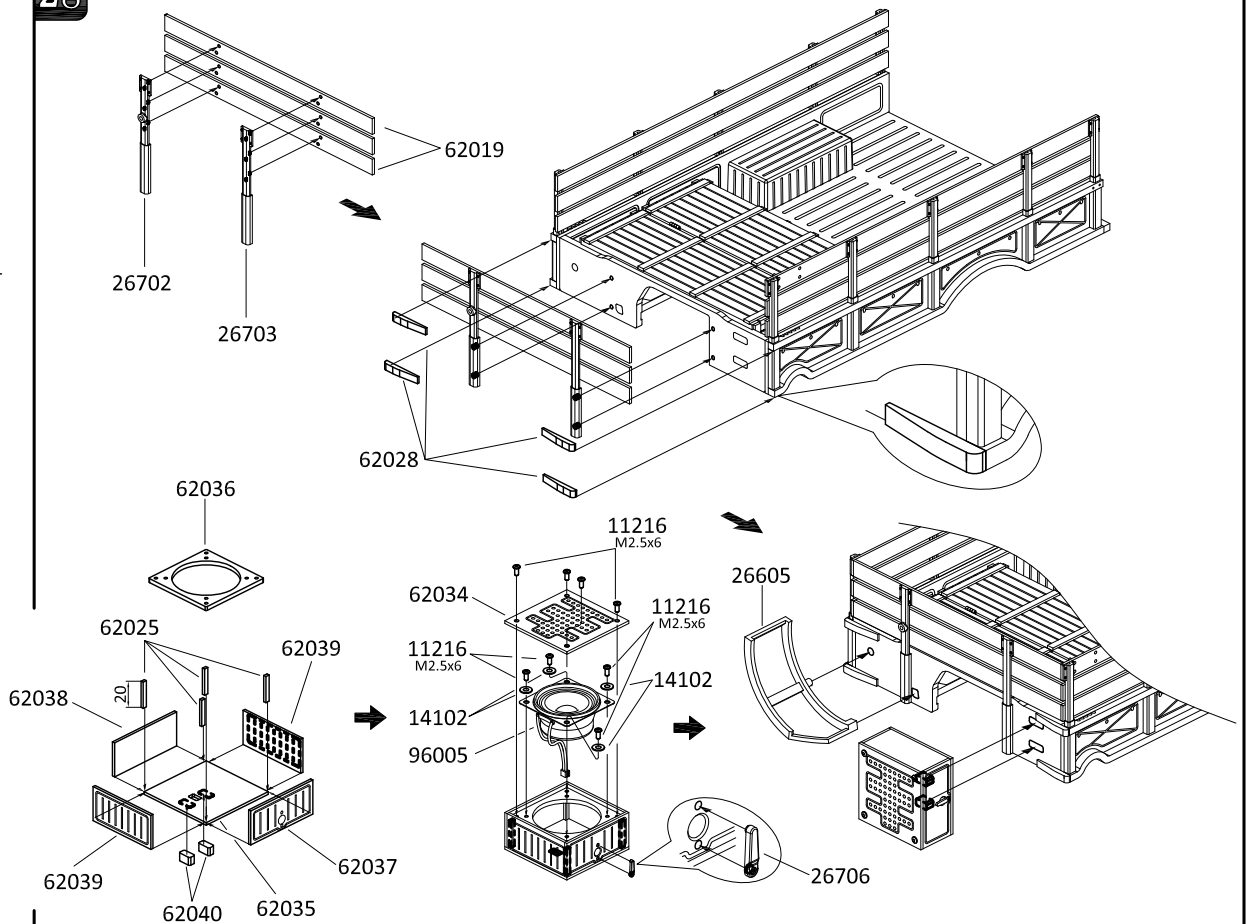
27




28

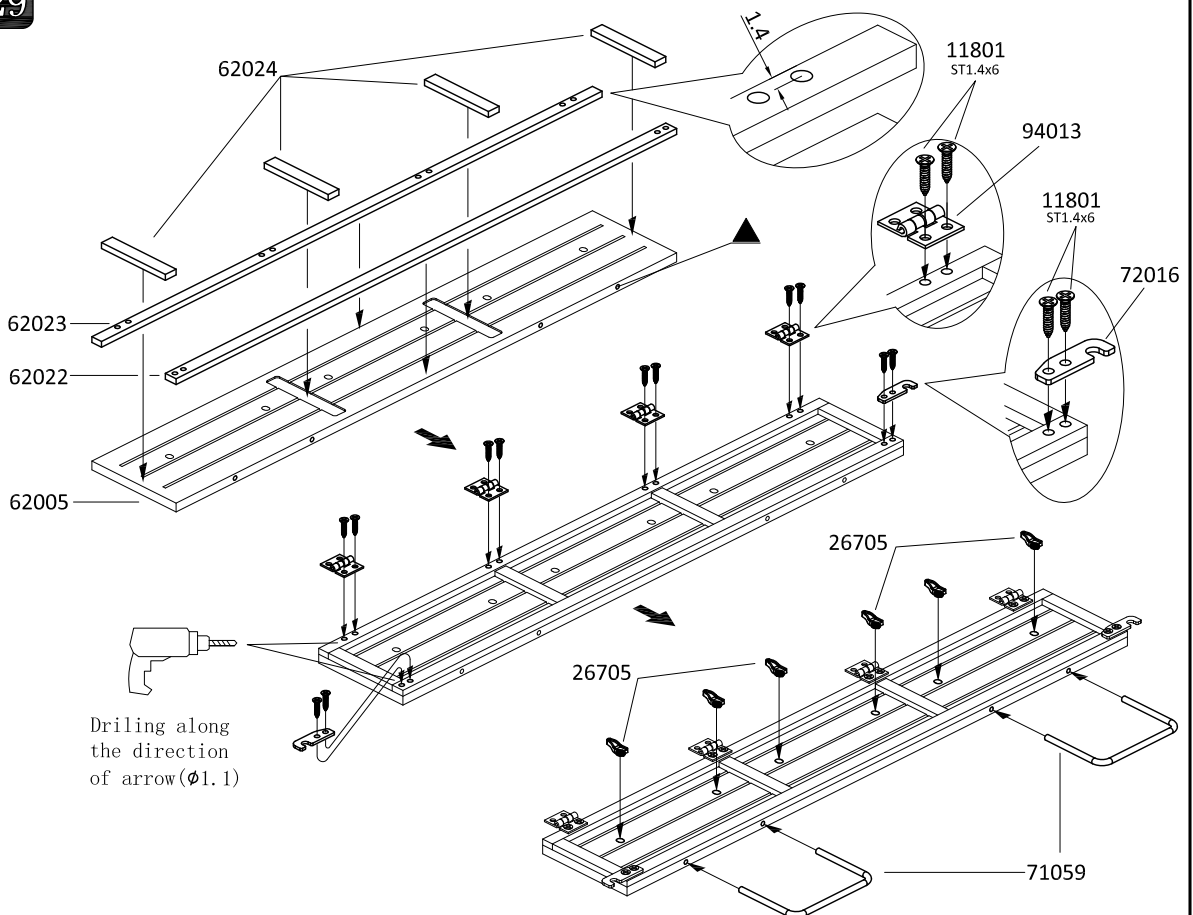
11216  M2.5x6 X8

14102    $\phi 3 \times \phi 7 \times 0.5 \times 4$




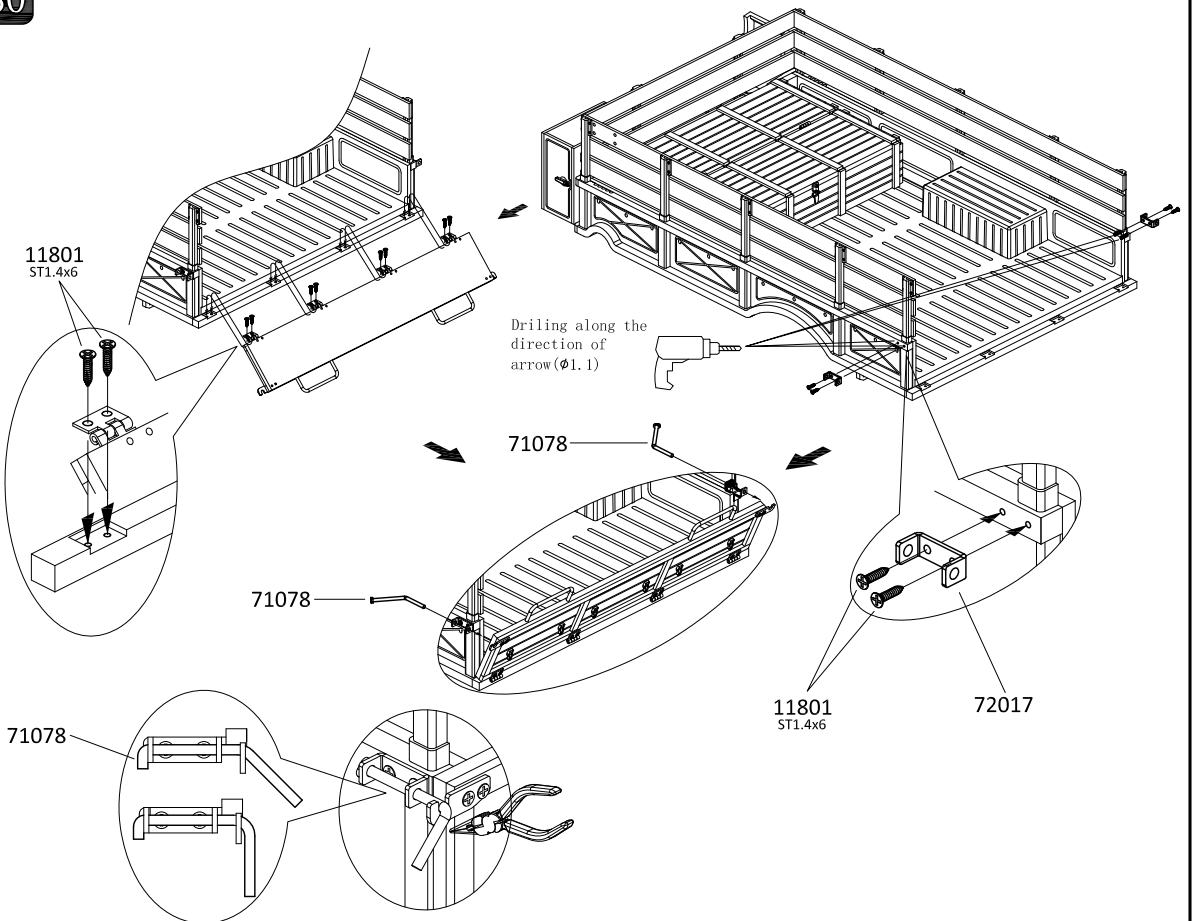
29

11801  ST1.4x6 X12





30


11801  ST1.4x6 X12

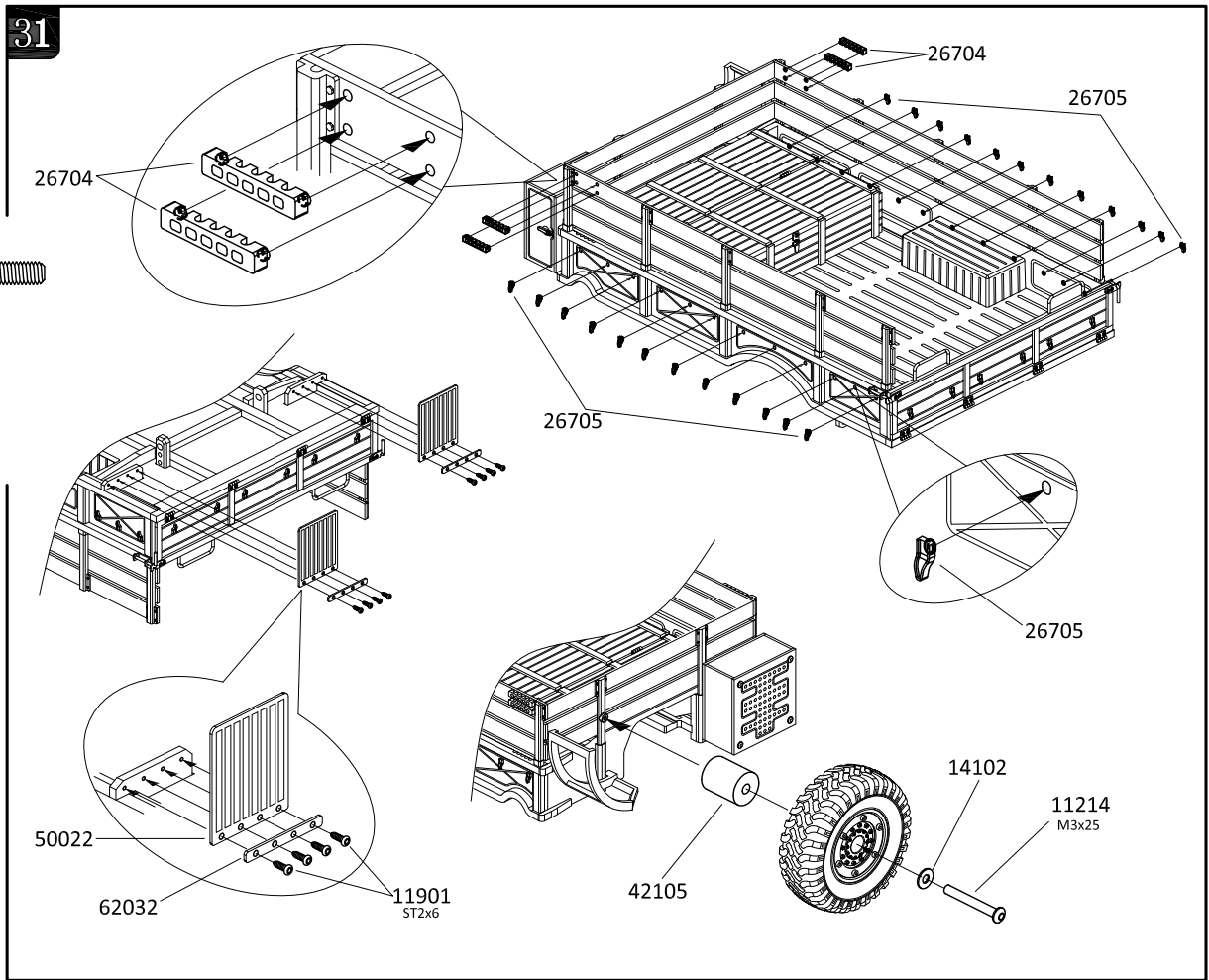


31

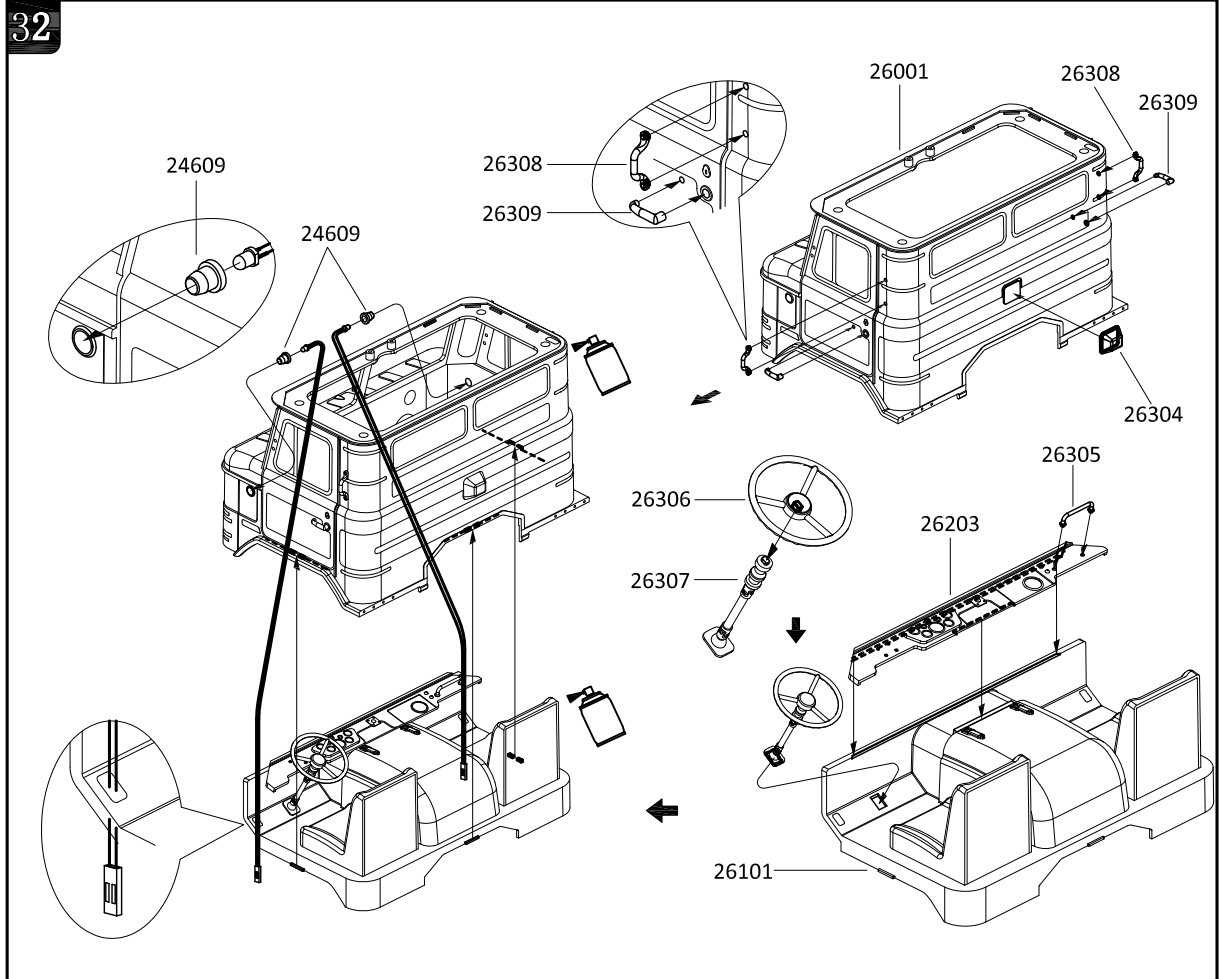
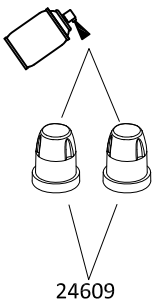
11901  ST2x6 X8

11214  M3x25 X1


14102   $\phi 3 \times \phi 7 \times 0.5 \times 1$





32




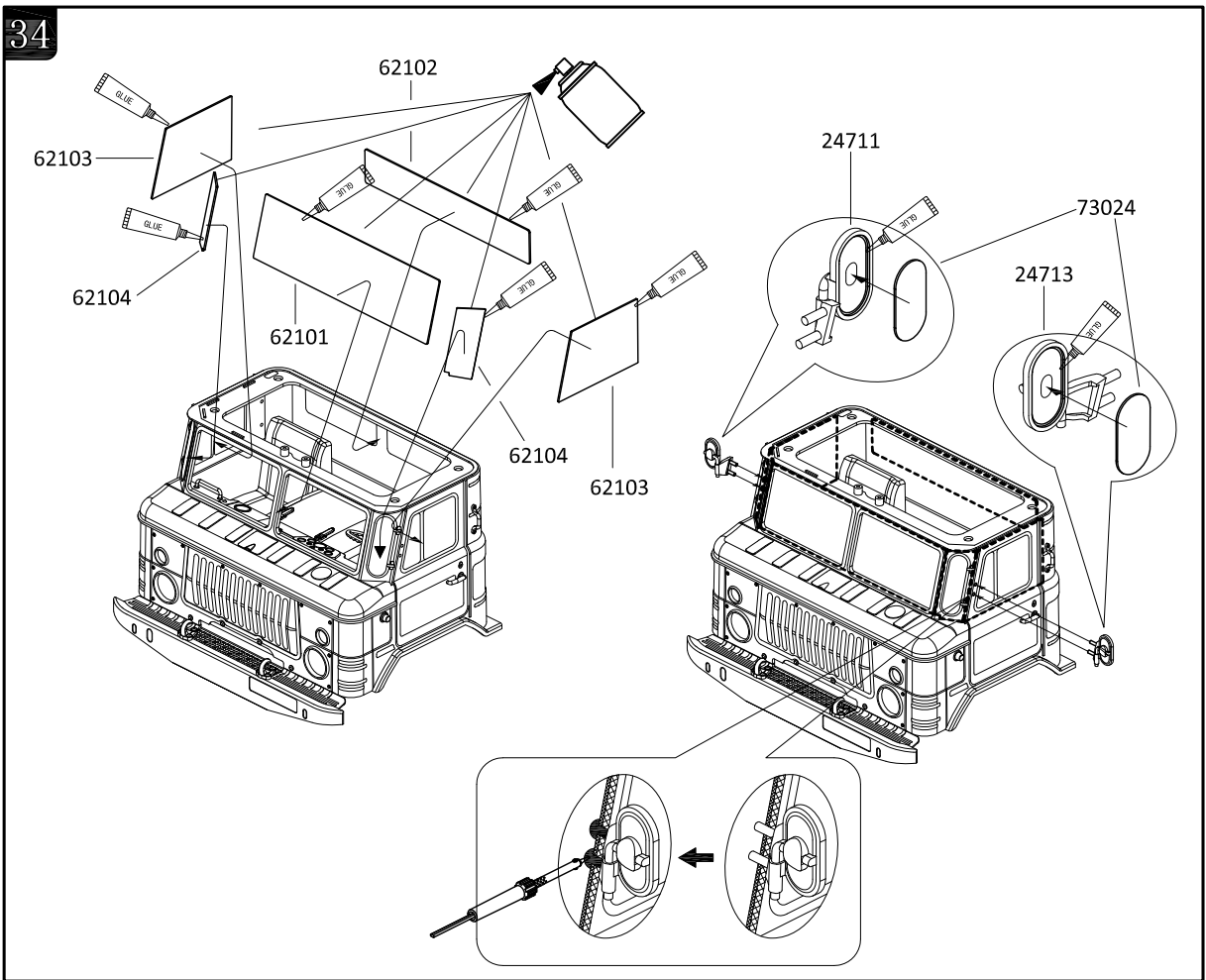
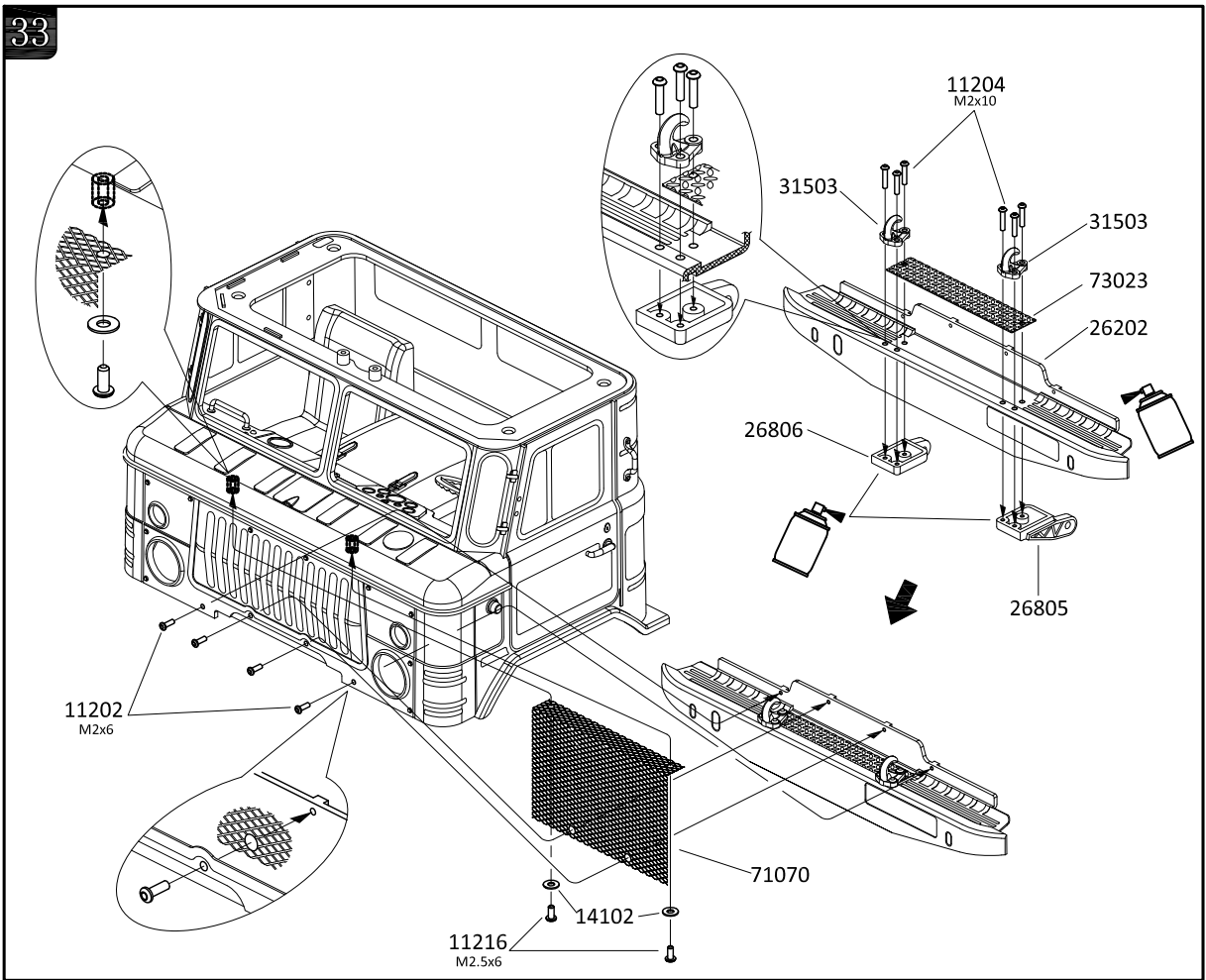


11202  M2x6 X4


11204  M2x10 X6


11216  M2.5x6 X2

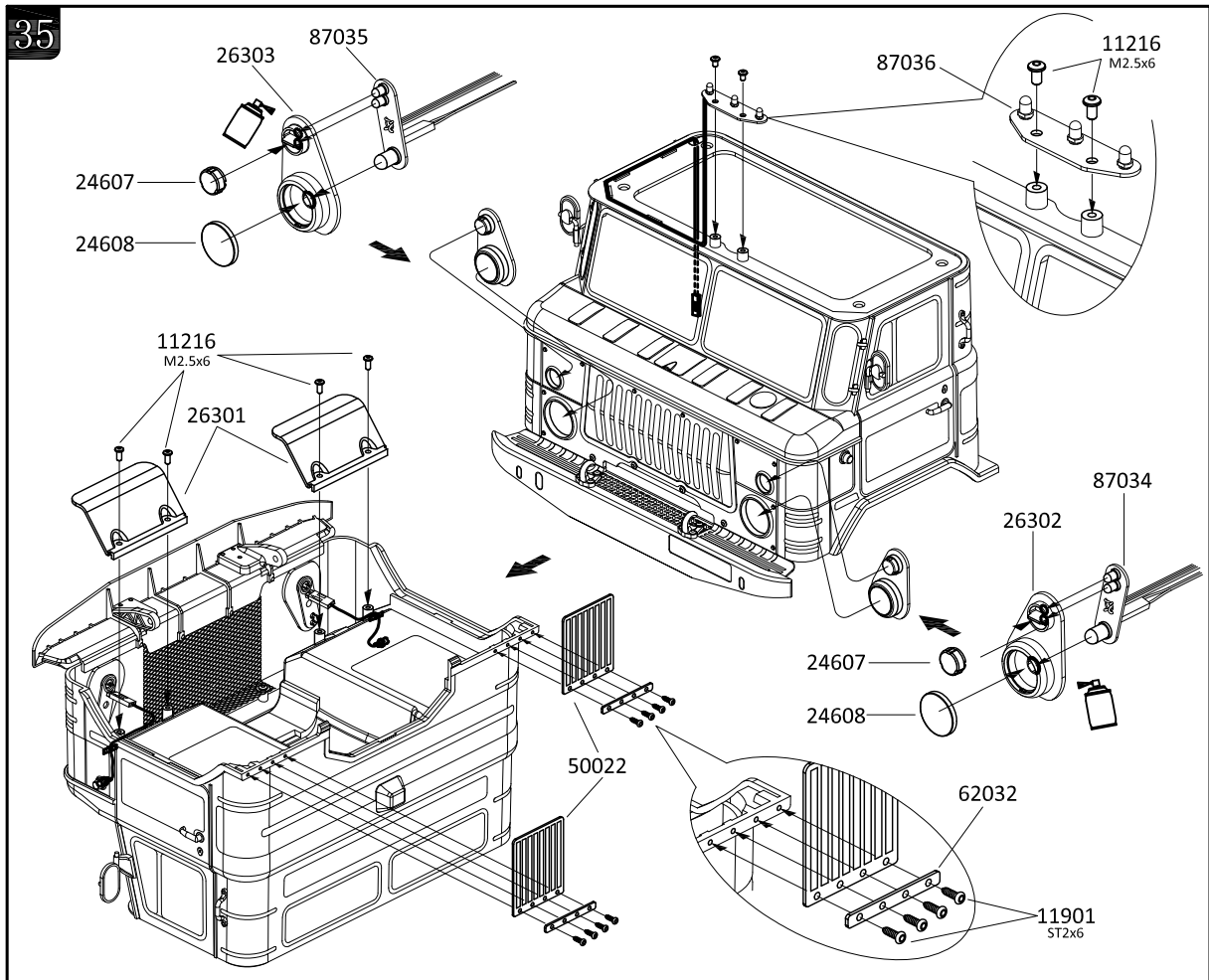
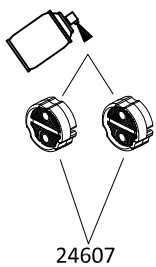
14102   $\phi 3 \times \phi 7 \times 0.5 \times 2$



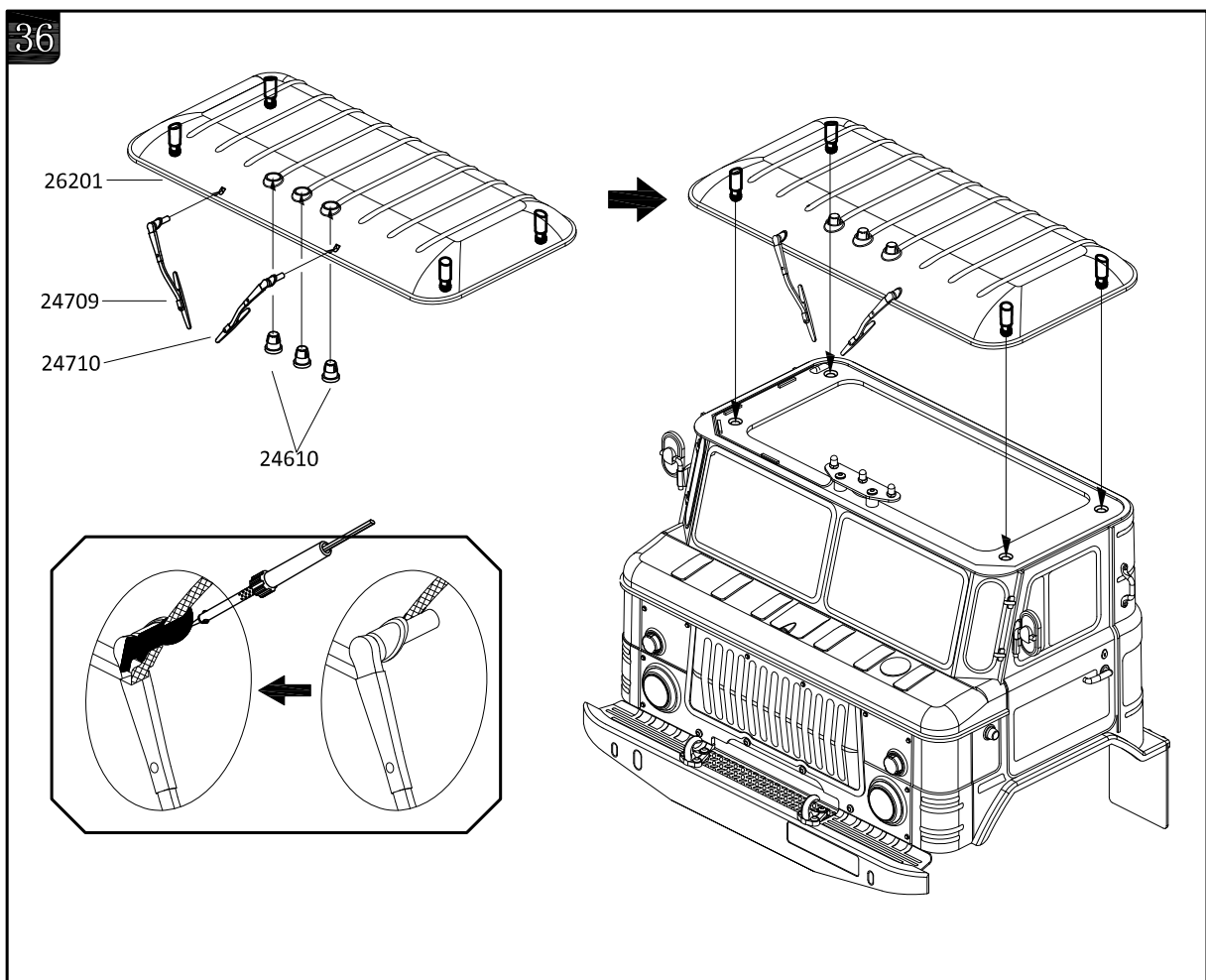
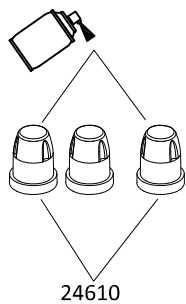
35

11901  ST2x6 X8

11216  M2.5x6 X6



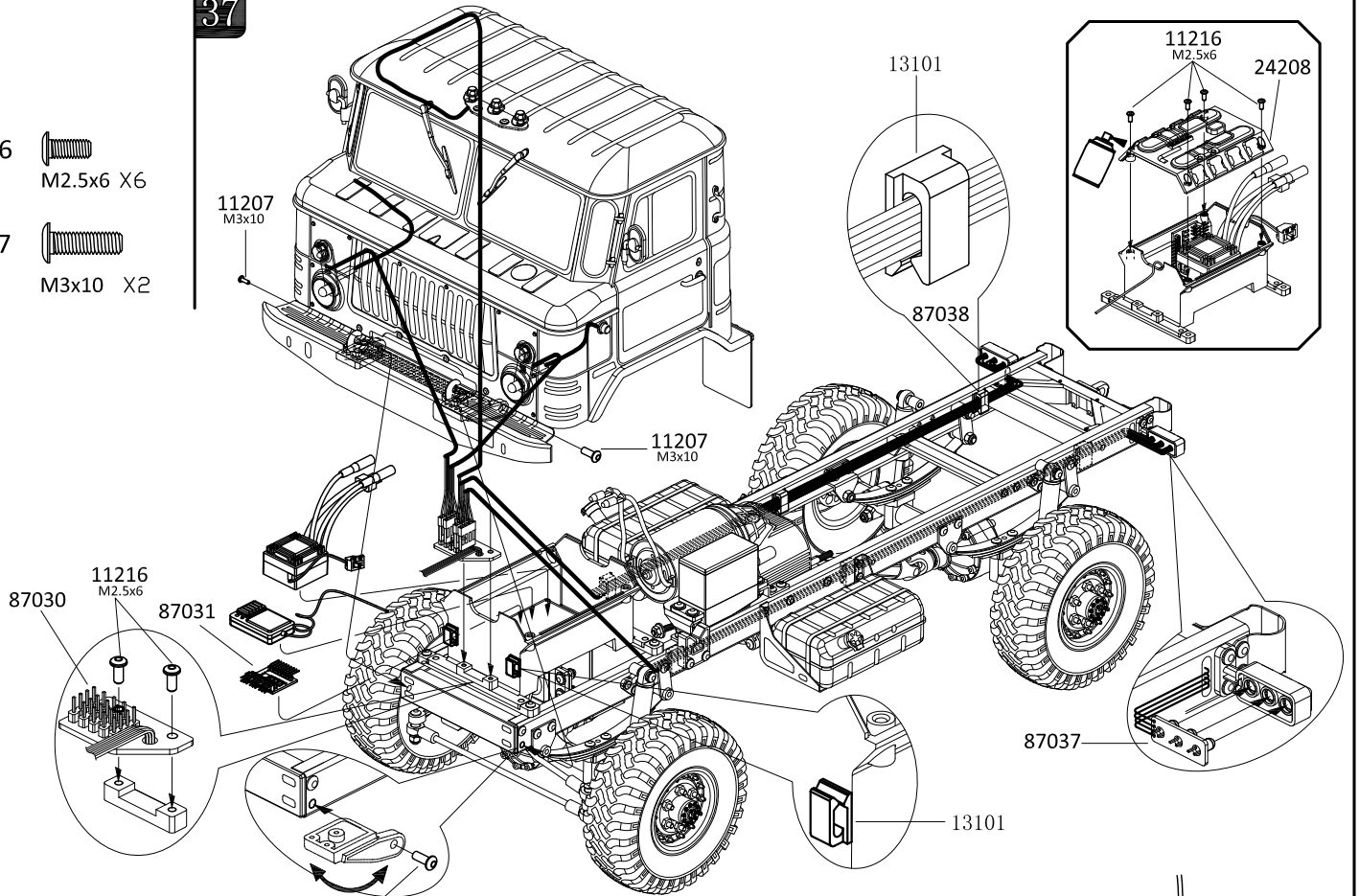
36



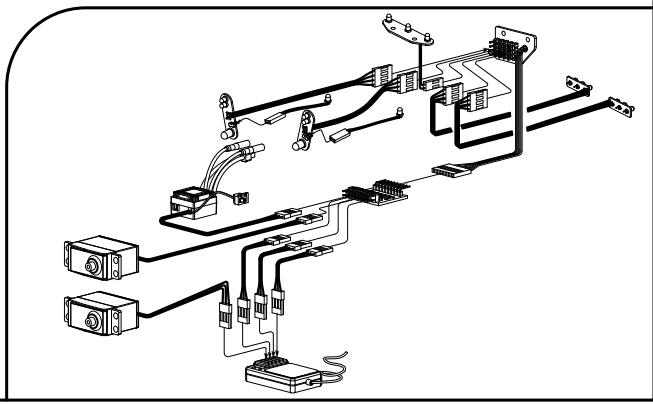
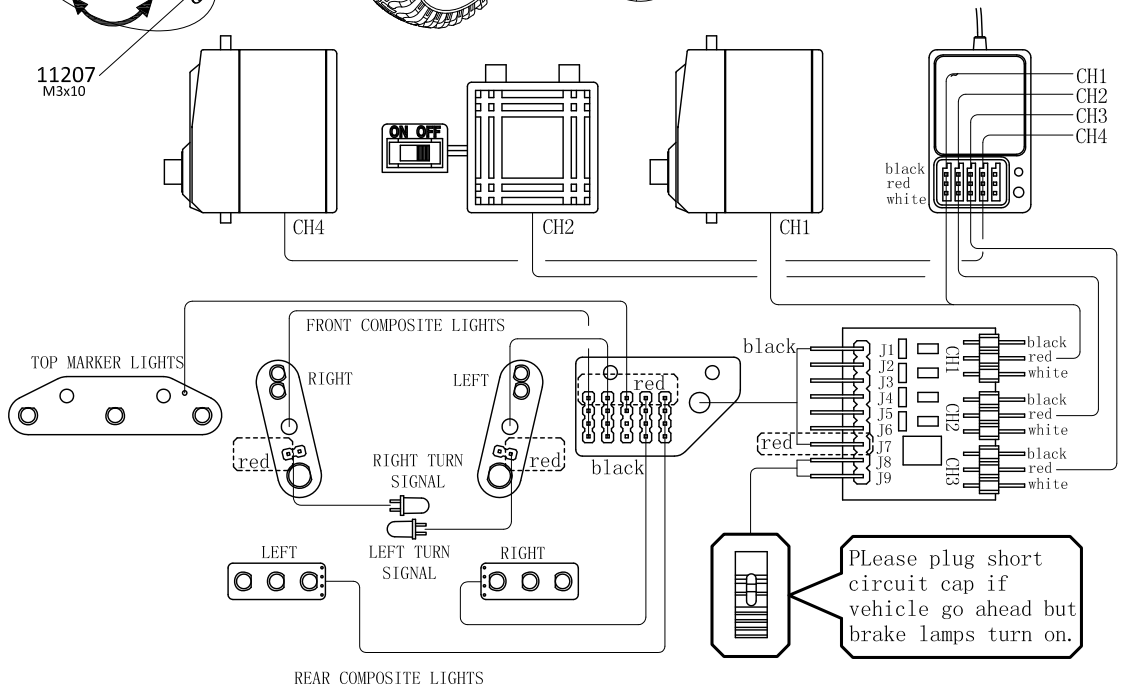
37

11216 M2.5x6 X6

11207 M3x10 X2




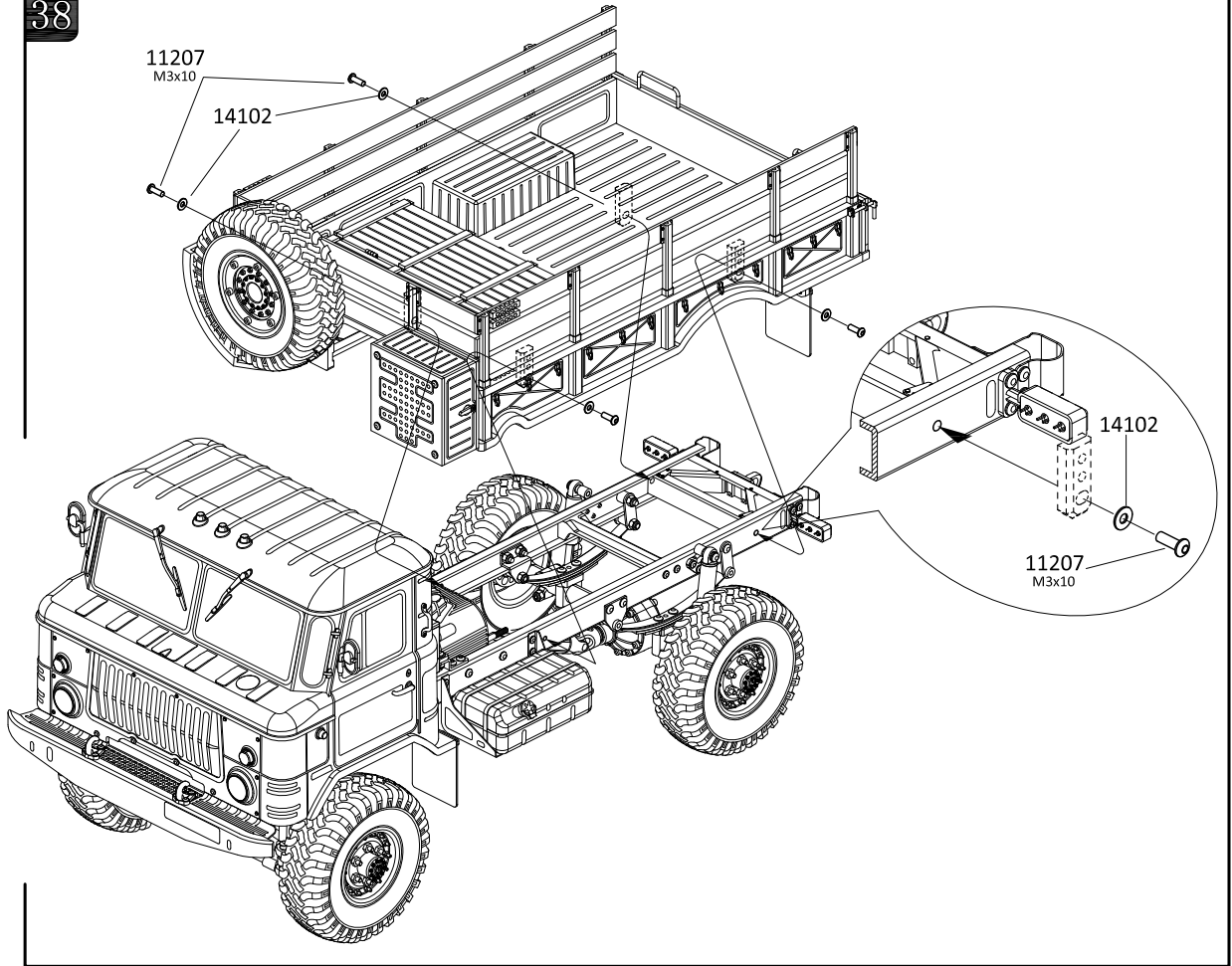
11207 M3x10



38

11207   
M3x10 X 4

14102   
ø3xø7x0.5 X 4



39

86036

