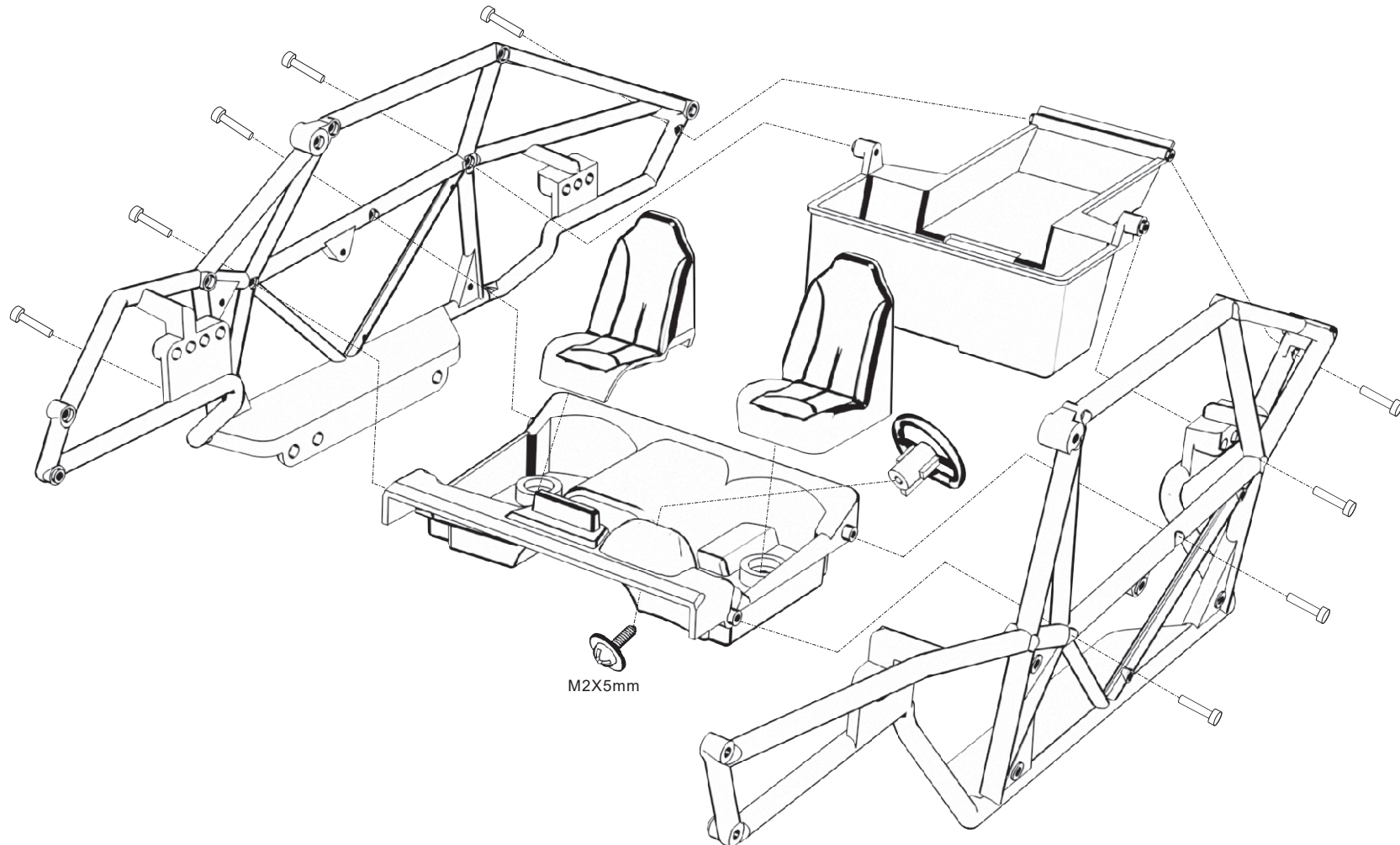
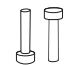


# Frame components

Specifications On This Page Are Subject To Change  
Without Notice. every Attempt Has Been Made To Ensure  
The Accurac Of This Drawing; however, cannot Be Held  
Responsible For Typographical Or Other Errors

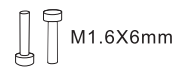
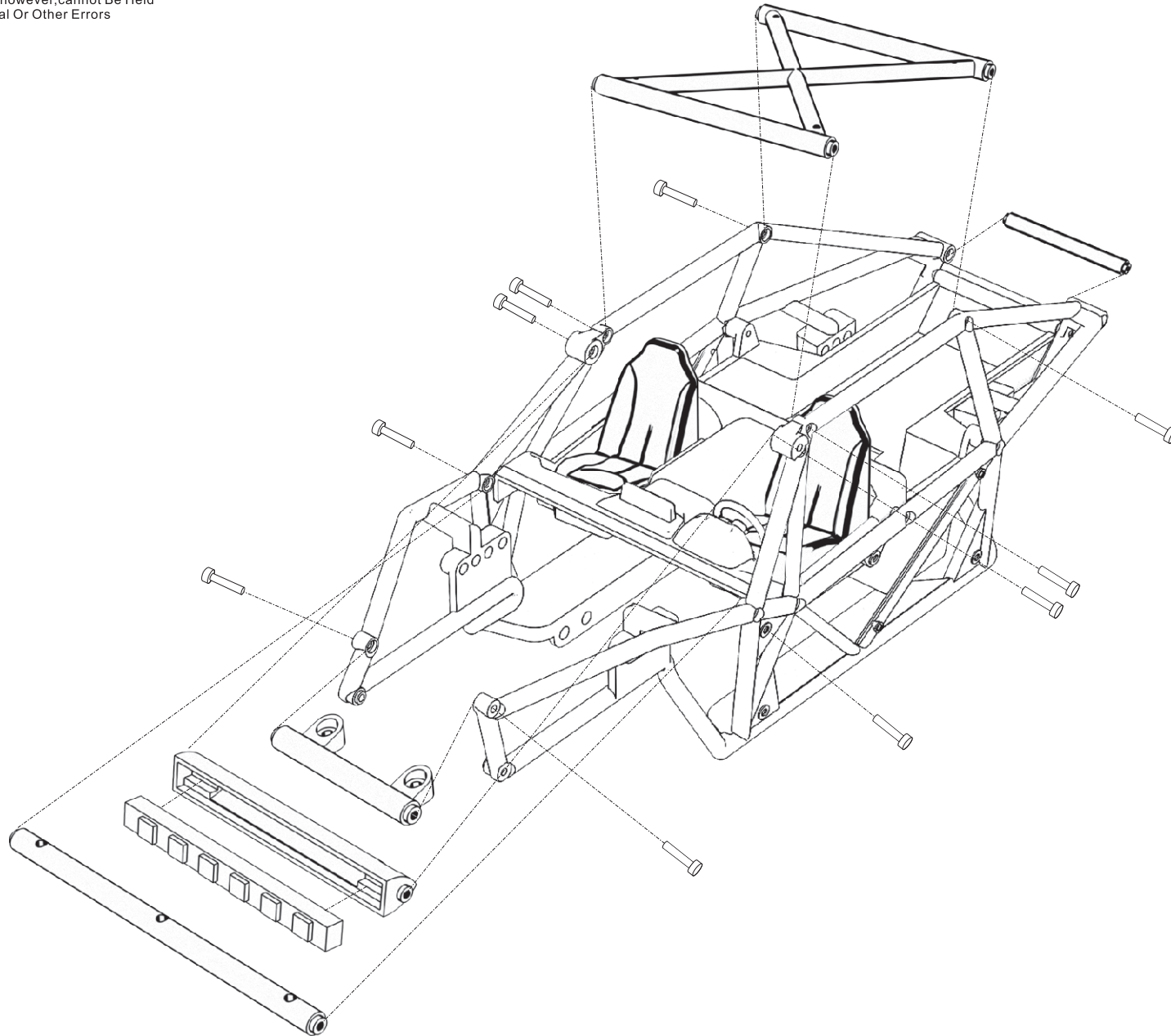


M2X5mm

 M1.6X6mm

# Frame components

Specifications On This Page Are Subject To Change Without Notice. every Attempt Has Been Made To Ensure The Accurac Of This Drawing;however,cannot Be Held Responsible For Typographical Or Other Errors



# Boby Assembly

Specifications On This Page Are Subject To Change Without Notice, every Attempt Has Been Made To Ensure The Accurac Of This Drawing;however, cannot Be Held Responsible For Typographical Or Other Errors

